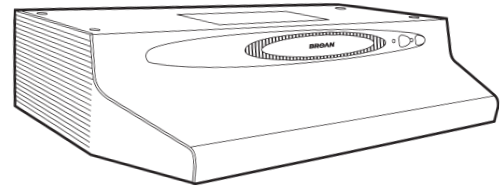


QUIET HOOD™ CONVERTIBLE RANGE HOODS



Broan's Quiet Range Hood has a patented air chamber design that significantly reduces noise up to 40 percent over comparable, conventional hoods.

FEATURES

- Three (3) ducting options:
 - 3¼" x 10", horizontal or vertical discharge
 - 7" round, vertical discharge
 - Non-ducted, using BPQTF filter (sold separately)
- Infinite, rotary speed control offers quiet fan operation
- Rotary light control
- Two, 40W, Type A-15 appliance bulbs provide bright cooktop lighting (bulbs not included)
- Translucent, polymeric light lens - easily removed for relamping
- Convenient night-light
- Thermally-protected, plug-in motor
- Electronically-balanced, polymeric fan blade
- Washable, aluminum mesh grease filter
- Optional non-ducted filter (BPQTF) for particulate and odor removal
- Keyhole mounting slots for easy installation
- Available in 30", 36", or 42" widths
- Powder-coated, baked enamel finishes in White, Almond, Biscuit, and Black, as well as Stainless Steel construction
- UL Listed

SPECIFICATIONS

VOLTS	HZ.	AMPS	CFM	SONES	DUCT
120	60	1.7	170	4.5	3¼" x 10" (H)
120	60	1.7	200	4.5	3¼" x 10" (V)
120	60	1.7	220	4.5	7" Round (V)

MODEL NUMBERS

FINISH	30" WIDTH	36" WIDTH	42" WIDTH
White	QT230WW	QT236WW	QT242WW
Almond	QT230AA	QT236AA	QT242AA
Biscuit	QT230BC	QT236BC	QT242BC
Black	QT230BL	QT236BL	QT242BL
Stainless Steel	QT230SS	QT236SS	QT242SS

TYPICAL SPECIFICATION

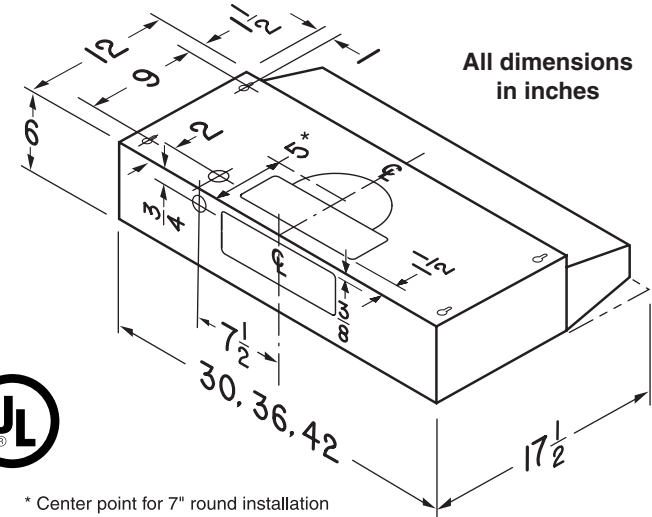
The Range Hood shall be a Broan QT20000 Series. It will be 30", (36"), (42") wide and have a White, (Almond), (Biscuit), (Black), (Stainless Steel) finish.

The hood must be convertible between 3¼" x 10", 7" round, and non-ducted discharges. It will use a washable aluminum grease filter (ducted discharge) as well as a non-ducted, particle and odor filter (non-ducted discharge).

The motor assembly shall have a thermally-protected, plug-in motor, and a one-piece polymeric fan blade. Fan speed to be controlled by an infinite rotary speed control.

Cooktop lighting to be provided by two (2) 40W, A-15 type appliance bulbs. Bulbs will be operated using a rotary control with night-light feature.

Hood to be UL listed.



* Center point for 7" round installation



HVI-2100 CERTIFIED RATINGS comply with new testing technologies and procedures prescribed by the Home Ventilating Institute, for off-the-shelf products, as they are available to consumers. Product performance is rated at 0.1 in. static pressure, based on tests conducted in a state-of-the-art test laboratory. Sones are a measure of humanly-perceived loudness, based on laboratory measurements.

Broan-NuTone LLC Hartford, Wisconsin www.broan.com 800-558-1711

REFERENCE	QTY.	REMARKS	Project
			Location
			Architect
			Engineer
			Contractor
			Submitted by Date