

# WhispAire™ Range Hood Quiet Hood™

WA6500 SERIES  
QT20000 SERIES

## IMPORTANT SAFETY INSTRUCTIONS

### **WARNING - TO REDUCE THE RISK OF FIRE, ELECTRIC SHOCK, OR INJURY TO PERSONS, OBSERVE THE FOLLOWING:**

1. Use this unit only in the manner intended by the manufacturer. If you have any questions, contact the manufacturer at the address or telephone number listed in the warranty.
2. Before servicing or cleaning unit, switch power off at service panel and lock service panel to prevent power from being switched on accidentally. When the service disconnecting means cannot be locked, securely fasten a prominent warning device, such as a tag, to the service panel.
3. Installation work and electrical wiring must be done by qualified person(s) in accordance with all applicable codes and standards - including fire-rated construction codes and standards.
4. Sufficient air is needed for proper combustion and exhausting of gases through the flue (chimney) of fuel burning equipment to prevent backdrafting. Follow the heating equipment manufacturer's guidelines and safety standards such as those published by the National Fire Protection Association (NFPA), and the American Society for Heating, Refrigeration and Air Conditioning Engineers (ASHRAE), and local code authorities.
5. When cutting or drilling into wall or ceiling, do not damage electrical wiring and other hidden utilities.
6. Ducted fans must always be vented to the outdoors.
7. To reduce the risk of fire, use only metal ductwork.
8. When applicable local regulations comprise more restrictive installation and/or certification requirements, the aforementioned requirements prevail on those of this document and the installer agrees to conform to these at his own expenses.

### **TO REDUCE THE RISK OF A RANGE TOP GREASE FIRE:**

1. Never leave surface units unattended at high settings. Boilovers cause smoking and greasy spillovers that may ignite. Heat oils slowly on low or medium setting.
2. Always turn hood ON when cooking at high heat or when flambeing food (i.e.: Crêpes Suzette, Cherries Jubilee, Peppercorn Beef Flambe).
3. Clean ventilating fans frequently. Grease should not be allowed to accumulate on fan or filter.
4. Use proper pan size. Always use cookware appropriate for the size of the surface element.

### **TO REDUCE THE RISK OF INJURY TO PERSONS IN THE EVENT OF A RANGE TOP GREASE FIRE, OBSERVE THE FOLLOWING\*:**

1. **SMOTHER FLAMES** with a close-fitting lid, cookie sheet, or metal tray, then turn off the burner. **BE CAREFUL TO PREVENT BURNS.** If the flames do not go out immediately, **EVACUATE AND CALL THE FIRE DEPARTMENT.**
2. **NEVER PICK UP A FLAMING PAN** - you may be burned.
3. **DO NOT USE WATER**, including wet dishcloths or towels - a violent steam explosion will result.
4. Use an extinguisher **ONLY** if:
  - A. You know you have a Class ABC extinguisher, and you already know how to operate it.
  - B. The fire is small and contained in the area where it started.
  - C. The fire department is being called.
  - D. You can fight the fire with your back to an exit.

\*Based on "Kitchen Fire Safety Tips" published by NFPA.

## IMPORTANT SAFETY INSTRUCTIONS

1. For indoor use only.
2. For general ventilating only. Do not use to exhaust hazardous or explosive materials and vapors.
3. To reduce the risk of fire or electrical shock, this range hood should not be used with an additional solid-state speed control device.
4. To reduce the risk of shock, disconnect power before servicing.
5. To reduce the risk of fire and to properly exhaust air, be sure to duct air outside. Do not vent exhaust air into spaces within walls or ceilings or into attics, crawl spaces or garages.

## PLAN THE INSTALLATION

1. Mounting height **MUST BE** at a minimum of 22" and at a maximum of 30" above the cooking surface from the bottom edge of the range hood.
2. The hood shall be mounted to the bottom of a standard wall cabinet. If the hood must be mounted directly to a wall, secure the hood to wall studs.
3. All wiring must comply with local codes and the unit must be properly grounded. Connection should be made to a 110-120 VAC lighting circuit (15A) in the circuit breaker or fuse box.

This range hood is "Convertible", it may be installed as a ducted or as a non-ducted unit.

### **IF THE RANGE HOOD IS TO BE NON-DUCTED:**

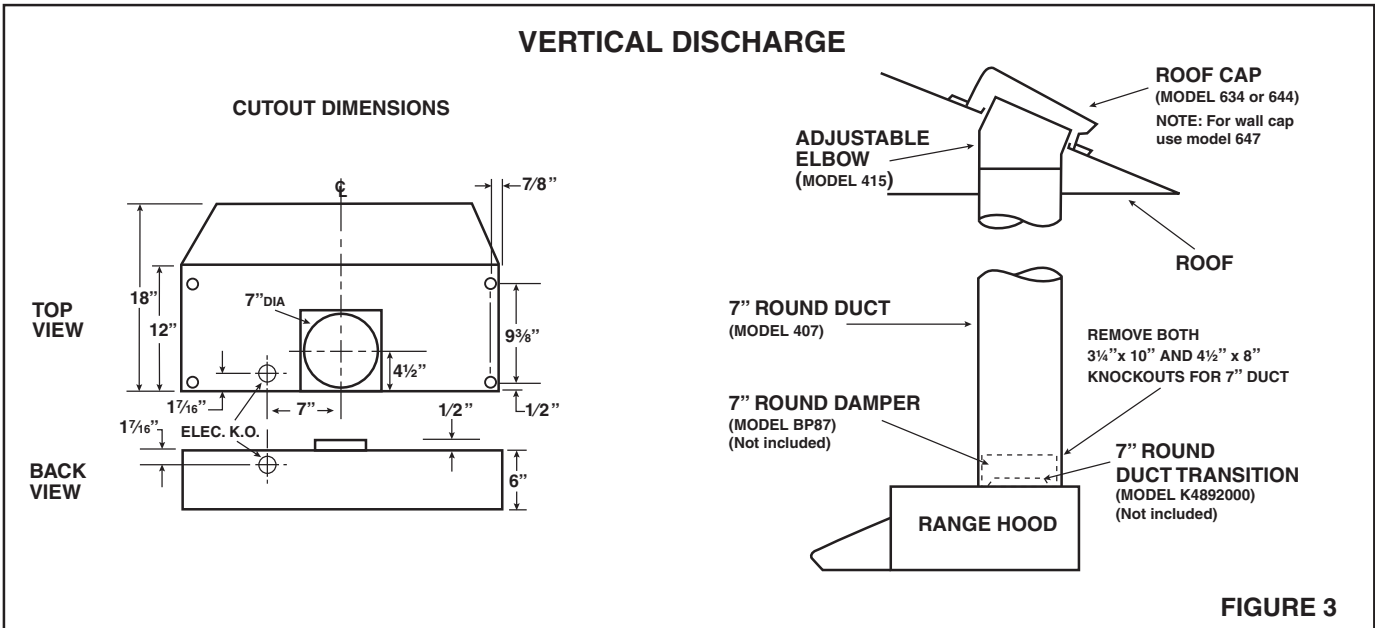
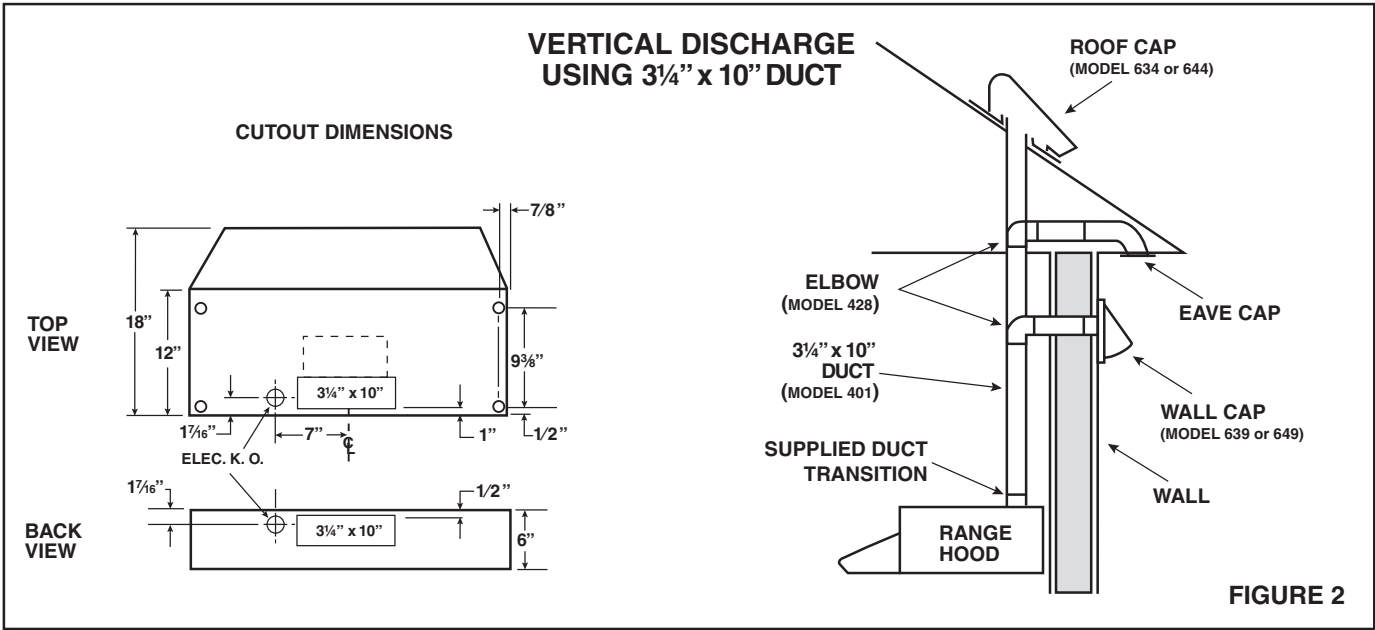
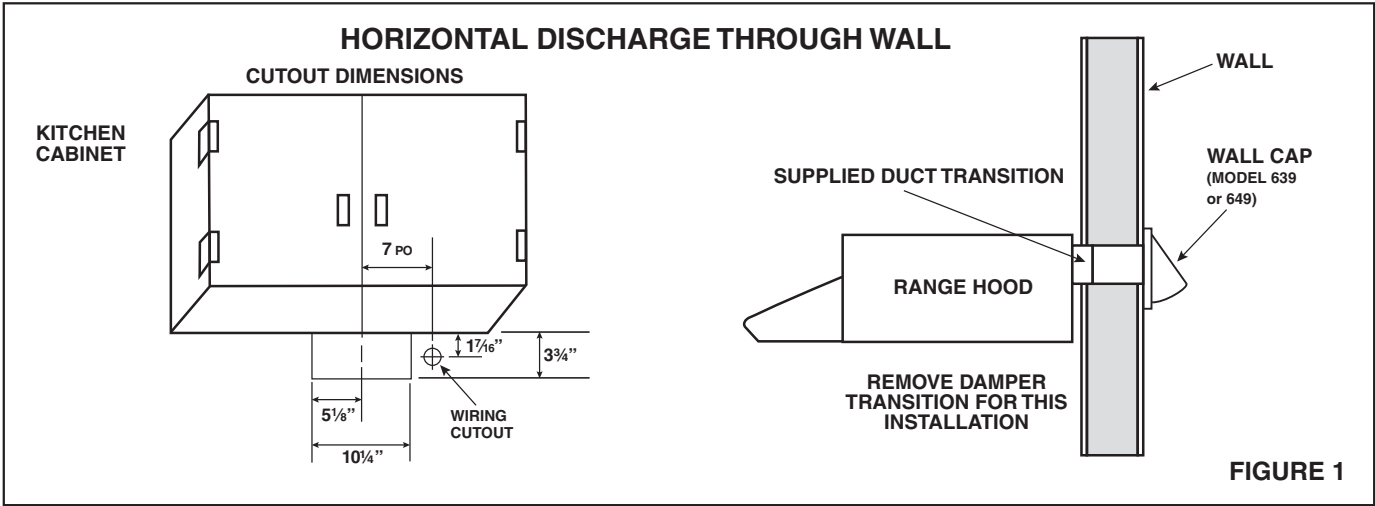
- Purchase non-ducted (duct-free) charcoal filter Model RFQTC.

### **IF THE RANGE HOOD IS TO BE DUCTED:**

- Ductwork can be installed vertically or horizontally
- Duct runs should be as short as possible
- Avoid the use of elbows
- Use metal foil duct tape at all joints
- Do not use duct smaller than the discharge on the hood
- For 7" round ductwork installation, use 7" round damper, Model BP87 and 7" adaptor, Model K4892000, both sold separately

### **REGISTER YOUR PRODUCT ON LINE AT**

- For NuTone WA6500 Series: [www.nutone.ca](http://www.nutone.ca)
- For Broan QT20000 Series: [www.broan.ca](http://www.broan.ca)



## WARNING

When performing installation, servicing or cleaning the unit, it is recommended to wear safety glasses and gloves.

## PREPARATION

1. Use the dimensional drawings (Refer to FIGURES 1-3) to lay out the range hood's mounting holes, wiring access and ductwork by marking the cabinet bottom and drywall where applicable.
2. Make cutouts for wiring and ductwork.
3. If the hood is to be ducted, install the ductwork so that it is flush to the range hood's mounting surface.
  - Refer to **FIGURE 1** if the range hood is to be installed with a horizontal discharge.
  - Refer to **FIGURE 2 and FIGURE 3** if the range hood is to be installed with a vertical discharge.
4. Run two-conductor wire (with ground) from a power source to the hood location. Bring approximately 12" of wiring through wiring hole in cabinet.
5. Drill four 3/32" diameter pilot holes at points where mounting holes are marked in cabinet bottom.
6. Insert four mounting screws, leaving approximately 1/4" of thread exposed.
7. Remove and retain the mounting screws securing the 3/4" x 10" duct transition to the hood.

## INSTALLATION

1. Remove the necessary duct opening and wiring knockout from the range hood.

**If the range hood is to be installed as a non-ducted unit,** remove the wiring knockout only.

**If the range hood is to be installed as a ducted unit,** a baffle plate is provided to close off the non-ducted vent. Install baffle plate (Refer to FIGURE 4) by sliding into place behind grille. Use locator bumps to orient in grille.

2. **For 7" round discharge installation, refer to FIGURE 5.** Secure 7" adapter (Model K4892000, sold separately) to the top of hood. Install 7" round damper (Model BP87, sold separately).

**For 3/4" x 10" vertical discharge installation, refer to FIGURE 6.** Secure 3/4" x 10" transition (if used) to top of hood.

**For 3/4" x 10" horizontal discharge installation, refer to FIGURE 7.** If using the supplied 3/4" x 10" duct transition, remove the damper flap from the transition to prevent possible venting interference. Position transition into wall cutout.

Note: The transition does not fasten to the hood.

3. Feed the wiring through the access hold and into the electrical box.
4. Align hood's keyhole mounting slots over the four partially installed screws.
5. Making sure the duct positions over the hood's duct transition, push the hood against the rear wall. Secure hood by tightening screws.
6. Using a long blade screwdriver, reach into the discharge opening and make sure the damper flap operates freely (vertical discharge only).

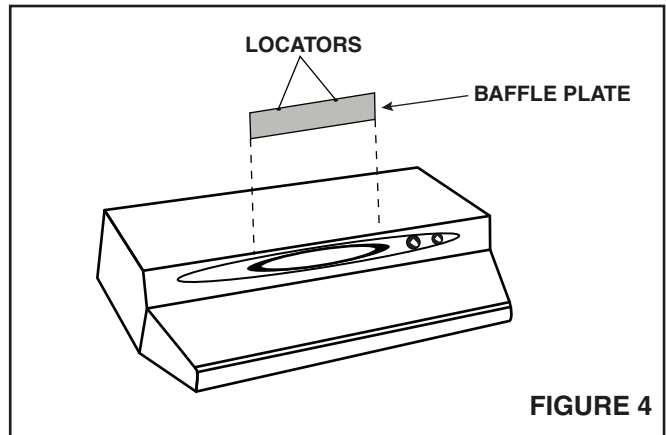


FIGURE 4

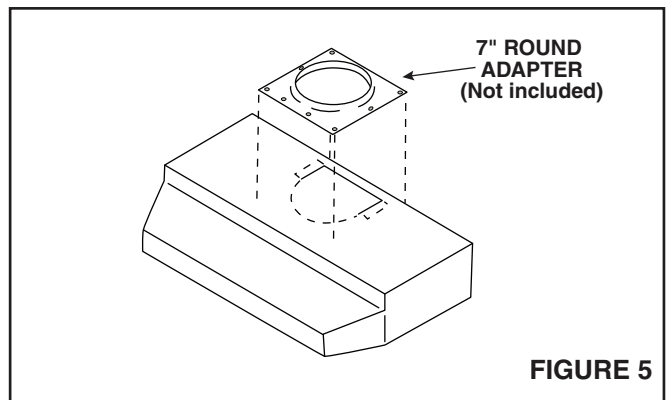


FIGURE 5

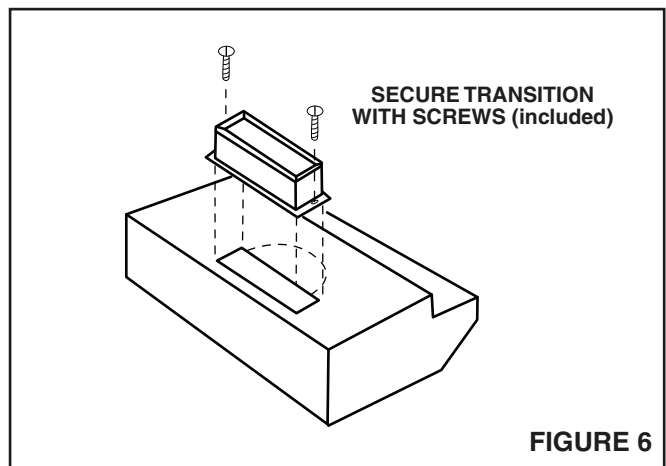


FIGURE 6

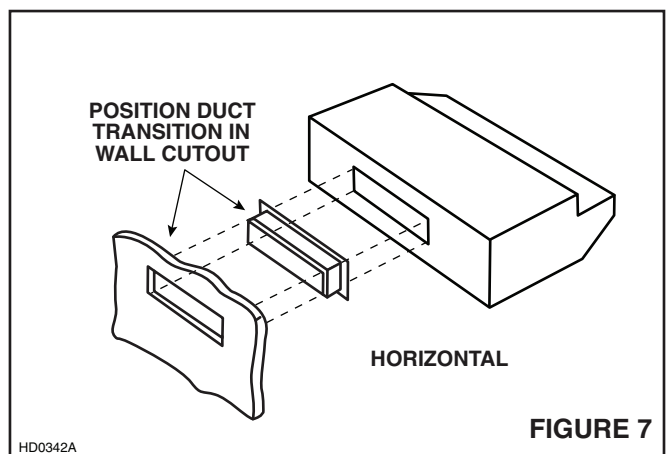


FIGURE 7

HD0342A

## WIRING CONNECTIONS

All wiring connections must comply with local codes and the unit must be properly grounded.

1. Make sure box connector is secure.
2. Refer to **FIGURE 8**. Make wiring connections.
3. Replace electrical box cover and secure with screw.

## LAMP INSTALLING OR REPLACEMENT

1. Depress sides of light diffuser until tabs of diffuser disengage from slots in hood. Remove diffuser.
2. Install two 40-watt maximum, Type A-15 appliance bulbs.
3. Replace diffuser in hood by depressing sides and engaging tabs in slots in hood.

## FILTER INSTALLING AND REPLACEMENT

1. For ducted operation, install the aluminum mesh filter. For non-duct operation, install the non-ducted filter (Model RFQTC, sold separately).
2. Refer to **FIGURE 9**. The filter slides into channels at the back of the hood, on either side of the fan compartment, and snaps under the spring clips near the front of the fan compartment.

## MAINTENANCE

### FILTERS

**IMPORTANT:** The aluminum filter should be removed once a month and washed in hot detergent water. Rinse in clear, warm water and shake off excess moisture before replacing. The filter may also be cleaned in your dishwasher.

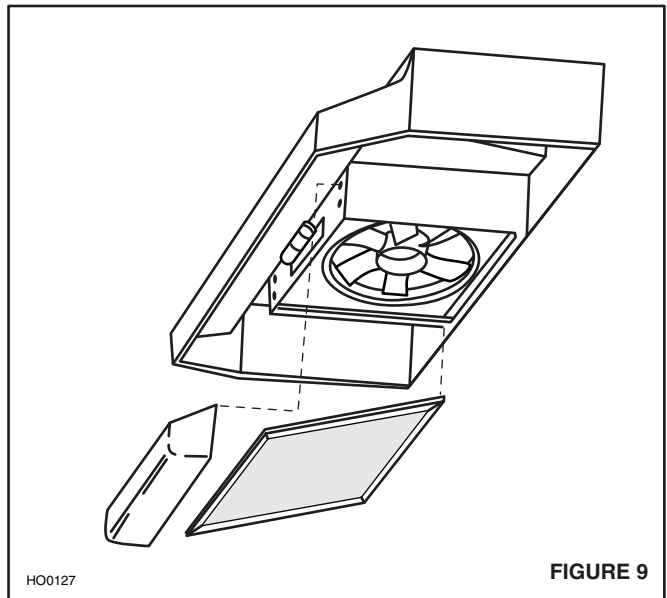
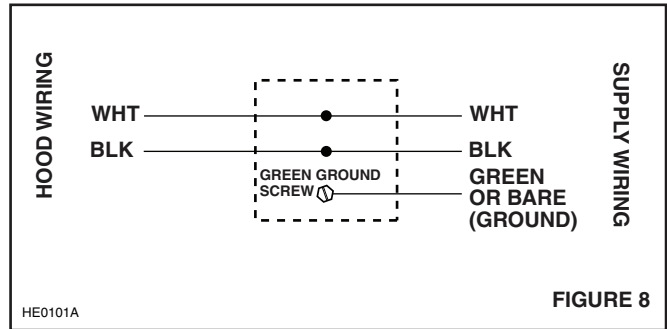
**IN A NON-DUCTED INSTALLATION:** Replace filter every 3-6 months as needed.

**CLEANING:** The hood should be wiped off occasionally both inside and outside using warm water, mild dish detergent and a soft cloth. Never use scouring powders, steel wool pads or any other abrasive cleaners which will destroy the hood's finish.

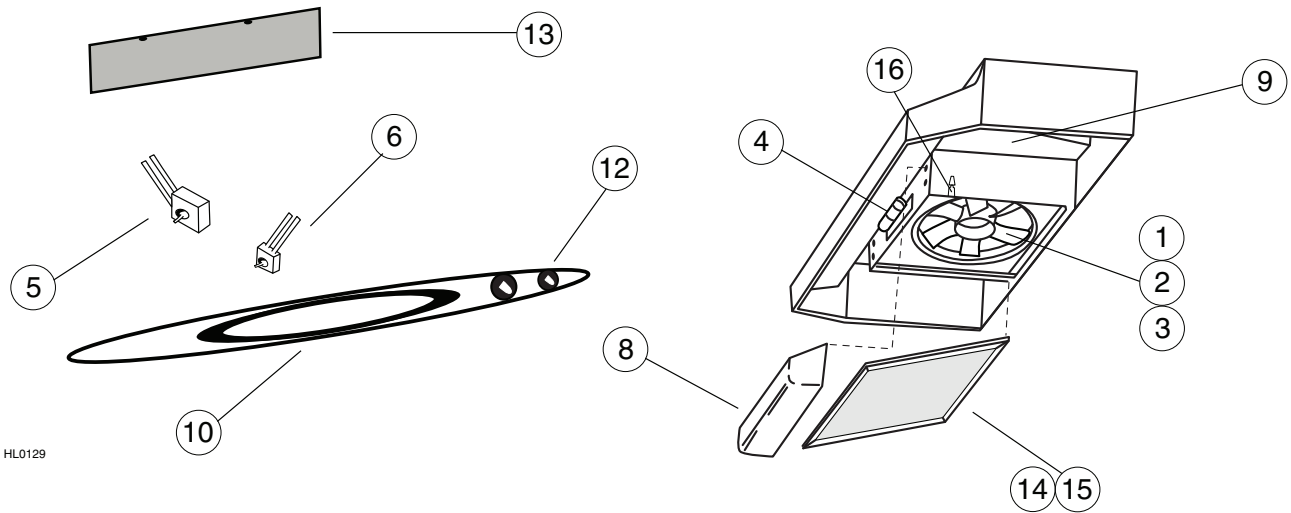
## REPLACEMENT PARTS

Should replacement parts be required, please indicate hood model number and appropriate part number. Contact your Broan-NuTone Canada dealer or write to Broan-NuTone Canada at the following address:

Attn.: Parts Department  
Broan-NuTone Canada, Inc.  
1140 Tristar Drive  
Mississauga, Ontario L5T 1H9  
Telephone: 888-88Broan (27626)



# SERVICE PARTS



HL0129

KEY NO.	PART NO.	DESCRIPTION
1	K7448000	Motor
2	K7577000	Motor Bracket Assembly
3	99020277	Fan Blade
*	R607225	External Hitch Pin (Hairpin)
4	K7457000	Lamp Socket (2 required)
5	K3720000	Fan Switch Assembly
6	R561138	Light Switch
*	K4402000	Rectifier Assembly (Night-Light)
8	K7504000	Light Lens
9	K4423000	Wiring Cover
10	99091033	Grille snap-in (Black) Quiet Hood
	99091034	Grille snap-in (White) Quiet Hood
	99091036	Grille snap-in (Almond) Quiet Hood
	99091035	Grille snap-in (Biscuit) Quiet Hood
	99091038	Grille snap-in (Black) WhispAire Hood
	99091039	Grille snap-in (White) WhispAire Hood
	99091041	Grille snap-in (Almond) WhispAire Hood
	99091040	Grille snap-in (Biscuit) WhispAire Hood
12	99360246	Knobs (Black)
	99360244	Knobs (White)
	99360245	Knobs (Almond)
	99360247	Knobs (Biscuit)
13	99091071	Baffle (Black)
	99091072	Baffle (White)
	99091074	Baffle (Almond)
	99091073	Baffle (Biscuit)
14	RFQTA	Aluminum Filter
15	RFQTC	Non-Ducted Filter
16	K6413000	Filter Clip (2 required)
*	K1893000	3¼" x 10" Transition
*	K7445000	Threaded Insert (4 required)

Order replacement parts by PART NO. - not by KEY NO.  
 \*Not Illustrated

## BROAN-NUTONE CANADA ONE-YEAR LIMITED WARRANTY

Broan-NuTone Canada warrants to the original consumer purchaser of its products that such products will be free from defects in materials and workmanship for a period of one year from the date of original purchase. THERE ARE NO OTHER WARRANTIES, EXPRESSED OR IMPLIED, INCLUDING, BUT NOT LIMITED TO, IMPLIED WARRANTIES OF MERCHANTABILITY OR FITNESS FOR A PARTICULAR PURPOSE.

During this one-year period, Broan-NuTone Canada will, at its option, repair or replace, without charge, any product or part which is found to be defective under normal use and service.

THIS WARRANTY DOES NOT EXTEND TO FLUORESCENT LAMP STARTERS AND TUBES. This warranty does not cover (a) normal maintenance and service or (b) any products or parts which have been subject to misuse, negligence, accident, improper maintenance or repair (other than by Broan-NuTone Canada), faulty installation or installation contrary to recommended installation instructions.

The duration of any implied warranty is limited to the one-year period as specified for the express warranty.

BROAN-NUTONE CANADA'S OBLIGATION TO REPAIR OR REPLACE, AT BROAN-NUTONE CANADA'S OPTION, SHALL BE THE PURCHASER'S SOLE AND EXCLUSIVE REMEDY UNDER THIS WARRANTY. BROAN-NUTONE CANADA SHALL NOT BE LIABLE FOR INCIDENTAL, CONSEQUENTIAL OR SPECIAL DAMAGES ARISING OUT OF OR IN CONNECTION WITH PRODUCT USE OR PERFORMANCE. Some jurisdictions do not allow the exclusion or limitation of incidental or consequential damages, so the above limitation or exclusion may not apply to you.

This warranty gives you specific legal rights, and you may also have other rights, which vary by jurisdiction. This warranty supersedes all prior warranties.

To qualify for warranty service, you must (a) notify Broan-NuTone Canada at the address or telephone number below, (b) give the model number and part identification and (c) describe the nature of any defect in the product or part. At the time of requesting warranty service, you must present evidence of the original purchase date.

---

Date of Installation

Builder or Installer

---

Model Number and Product Description

### IF YOU NEED ASSISTANCE OR SERVICE:

For the location of your nearest Broan-NuTone Canada Incorporated dealer:

Dial Toll-Free: **1-888-882-7626**

Please be prepared to provide:

Product model number • Date and proof of purchase • The nature of the difficulty

Broan-NuTone Canada Inc.

1140 Tristar Drive, Mississauga, Ontario, CANADA L5T 1H9

**[www.broan.ca](http://www.broan.ca)**

**[www.nutone.ca](http://www.nutone.ca)**