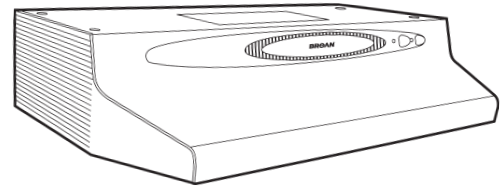


# QUIET HOOD™ CONVERTIBLE RANGE HOODS



Broan's Quiet Range Hood has a patented air chamber design that significantly reduces noise up to 40 percent over comparable, conventional hoods.

**FEATURES**

- Three (3) ducting options:
  - 3¼" x 10", horizontal or vertical discharge
  - 7" round, vertical discharge
  - Non-ducted, using BPQTF filter (sold separately)
- Infinite, rotary speed control offers quiet fan operation
- Rotary light control
- Two, 40W, Type A-15 appliance bulbs provide bright cooktop lighting (bulbs not included)
- Translucent, polymeric light lens - easily removed for relamping
- Convenient night-light
- Thermally-protected, plug-in motor
- Electronically-balanced, polymeric fan blade
- Washable, aluminum mesh grease filter
- Optional non-ducted filter (BPQTF) for particulate and odor removal
- Keyhole mounting slots for easy installation
- Available in 30", 36", or 42" widths
- Powder-coated, baked enamel finishes in White, Almond, Biscuit, and Black, as well as Stainless Steel construction
- UL Listed

**SPECIFICATIONS**

VOLTS	HZ.	AMPS	CFM	SONES	DUCT
120	60	1.7	170	4.5	3¼" x 10" (H)
120	60	1.7	200	4.5	3¼" x 10" (V)
120	60	1.7	220	4.5	7" Round (V)

**MODEL NUMBERS**

FINISH	30" WIDTH	36" WIDTH	42" WIDTH
White	QT230WW	QT236WW	QT242WW
Almond	QT230AA	QT236AA	QT242AA
Biscuit	QT230BC	QT236BC	QT242BC
Black	QT230BL	QT236BL	QT242BL
Stainless Steel	QT230SS	QT236SS	QT242SS

**TYPICAL SPECIFICATION**

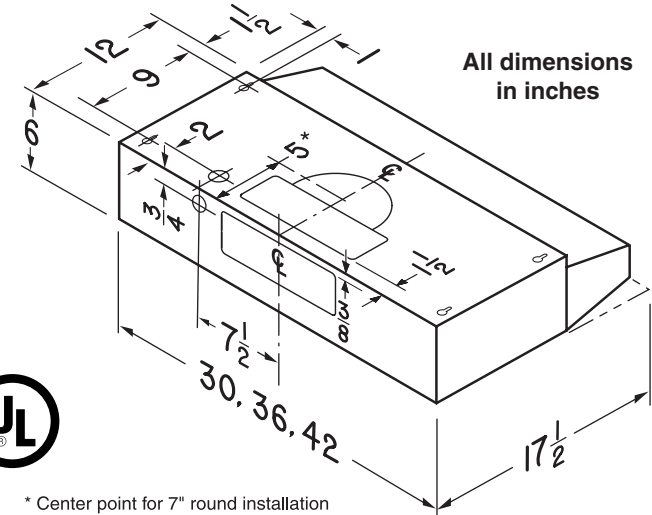
The Range Hood shall be a Broan QT20000 Series. It will be 30", (36"), (42") wide and have a White, (Almond), (Biscuit), (Black), (Stainless Steel) finish.

The hood must be convertible between 3¼" x 10", 7" round, and non-ducted discharges. It will use a washable aluminum grease filter (ducted discharge) as well as a non-ducted, particle and odor filter (non-ducted discharge).

The motor assembly shall have a thermally-protected, plug-in motor, and a one-piece polymeric fan blade. Fan speed to be controlled by an infinite rotary speed control.

Cooktop lighting to be provided by two (2) 40W, A-15 type appliance bulbs. Bulbs will be operated using a rotary control with night-light feature.

Hood to be UL listed.



HVI-2100 CERTIFIED RATINGS comply with new testing technologies and procedures prescribed by the Home Ventilating Institute, for off-the-shelf products, as they are available to consumers. Product performance is rated at 0.1 in. static pressure, based on tests conducted in a state-of-the-art test laboratory. Sones are a measure of humanly-perceived loudness, based on laboratory measurements.

Broan-NuTone LLC Hartford, Wisconsin www.broan.com 800-558-1711

REFERENCE	QTY.	REMARKS	Project
			Location
			Architect
			Engineer
			Contractor
			Submitted by Date