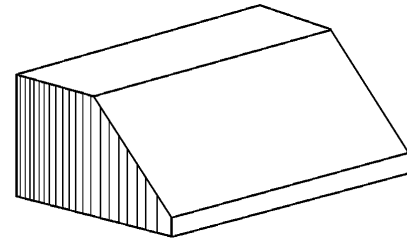


# BROAN *ELITE* RM60000 SERIES RANGE HOOD



Provides high ventilation and durable construction to meet the needs of professional-quality residential cooktops.

A complete installation requires several optional components. Refer to pages 2-3 when planning your installation.

### FEATURES

#### HOOD

- Widths: 30" to 60" (762 mm to 1524 mm) in 6" (152 mm) increments
- Finishes: Stainless Steel, White or Black appliance colours
- Dishwasher-safe grease filters
- Dual-food warming lamps (BR40 size, 250 W, infrared purchased separately)
- Three-level cooktop lighting (Uses three 50 W, PAR 20 halogen lamps - purchased separately)
- Solid-state, infinite speed blower control with speed memory
- Exclusive, Broan Heat Sentry™ turns blower ON to HIGH speed when excess heat is detected

#### BAFFLE FILTER KIT

RBF Series (Optional)

- Available for all hood widths

#### BACKSPLASH:

RMP Series (Optional)

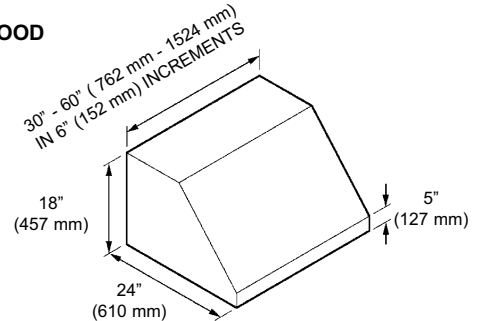
- Widths - 30" to 60" (762 mm to 1524 mm) in 6" (152 mm) increments
- Stainless Steel construction - protects back wall and wipes clean easily
- Two dual-position food warming/condiment storage shelves

#### SOFFIT CHIMNEY:

RMN Series (Optional)

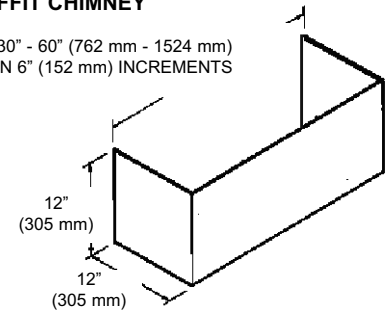
- Widths: 30" to 60" (762 mm to 1524 mm) in 6" (152 mm) increments
- Finishes - Stainless Steel, White or Black appliance colours
- Recommended for use when installation location has no soffit

#### RM60000 SERIES HOOD

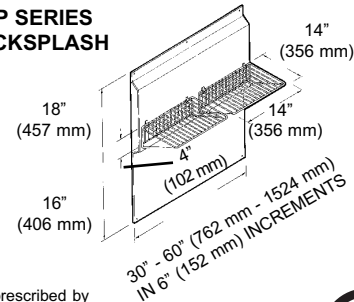


#### RMN SERIES SOFFIT CHIMNEY

30" - 60" (762 mm - 1524 mm)  
iN 6" (152 mm) INCREMENTS



#### RMP SERIES BACKSPLASH



HVI-2100 CERTIFIED RATINGS comply with new testing technologies and procedures prescribed by the Home Ventilating Institute, for off-the-shelf products, as they are available to consumers. Product performance is rated at 0.1 in. (2.54 mm) static pressure, based on tests conducted in AMCA's state-of-the-art test laboratory. Sones are a measure of humanly-perceived loudness, based on laboratory measurements.

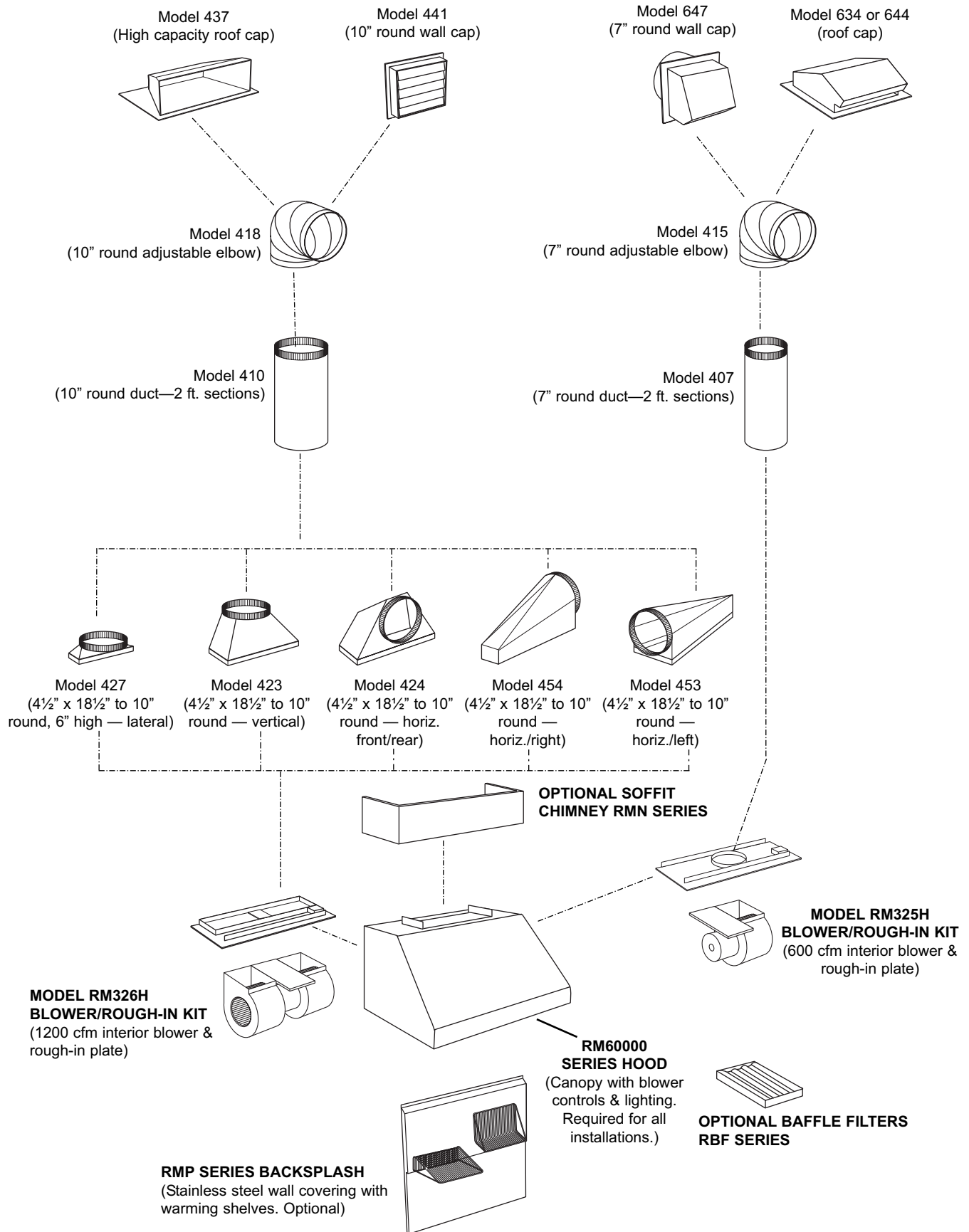


Broan-NuTone LLC, 926 West State Street, Hartford, WI 53027 USA (1-800-637-1453)  
Broan-NuTone Canada Inc., 1140 Tristar Drive, Mississauga, Ontario L5T 1H9 CANADA (1-888-882-7626)

REFERENCE	QTY.	REMARKS	Project
			Location
			Architect
			Engineer
			Contractor
			Submitted by
			Date

# RM60000 SERIES RANGE HOOD SYSTEM

## INTERIOR BLOWERS



# RM6000 SERIES RANGE HOOD SYSTEM

## IN-LINE AND EXTERIOR BLOWERS

