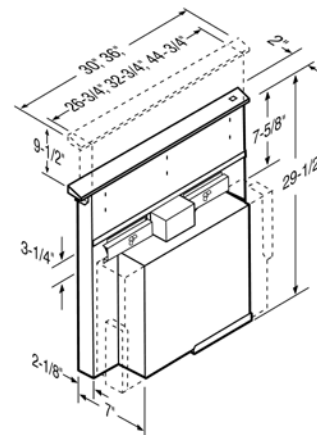




Broan Elite RMDD Series

This compact model installs behind most style cooktops for an unobtrusive appearance and has a thin profile that saves space under the cabinet. The RMDD Series also combines high-performance features with stainless steel construction on all exposed surfaces to provide a durable finish and an unforgettable look.

- Chimney rises over 9-1/2 inches when activated, ideal for large pots and pans.
- Variable-speed control for centrifugal blower enables effective and quiet operation.
- Optional remote control will activate downdraft from an alternate location.
- Heat Sentry™ detects excessive heat and adjusts blower speed to high automatically.
- Dishwasher-safe filters are easy to remove and feature a stylish brushed stainless steel appearance for a professional look.
- Internal 500 CFM centrifugal blower or choice of exterior blower options from 600 to 1500 CFM or four in-line blowers from 280 to 1100 CFM.
- Unique ducting capability allows the internal or remote blower connection to be ducted to the left, right or downward.
- These units are not for installations behind ovens.



SPECIFICATIONS

WIDTH	STAINLESS STEEL	BLOWER	VOLTS	AMPS	CFM	DUCT
30"	RMDD3004	Internal	120	4.0	500	3-1/4" x 10"
36"	RMDD3604	Internal	120	4.0	500	3-1/4" x 10"
30"	RMDD3004EX	External	120	4.0	*	3-1/4" x 14"
36"	RMDD3604EX	External	120	4.0	*	3-1/4" x 14"

OPTIONS

97015841	Replacement Aluminum Filter 30"
97015842	Replacement Aluminum Filter 36"
RMDDRBK	Remote Control
ARP310**	Air flow reducer (limits the airflow of the hood under 300 CFM)

* External blower sold separately.

** 500 PCM hoods only.



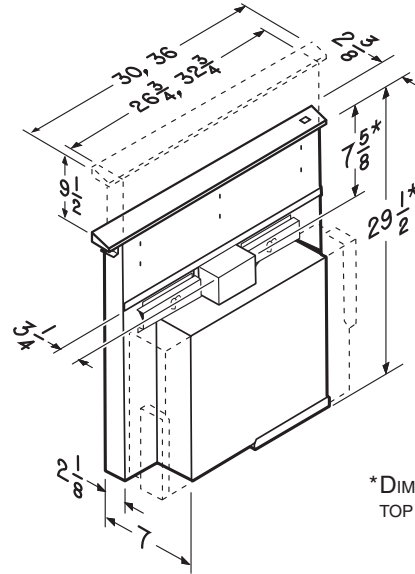
87433B 09/09

SPECIFICATIONS

MODEL	RMDD SERIES
VOLTS	120 VAC
Hz	60
AMPS	4.0
CFM	500*
BLOWER	INTERNAL
DUCTING SIZE	3¼" x 10"
WARRANTY	1 YEAR

*OPTIONAL ARP310 AIR FLOW REDUCER
(LIMITS THE AIRFLOW OF THE HOOD UNDER 300 CFM).

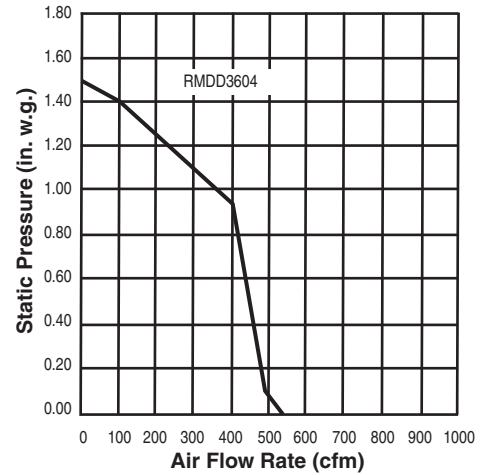
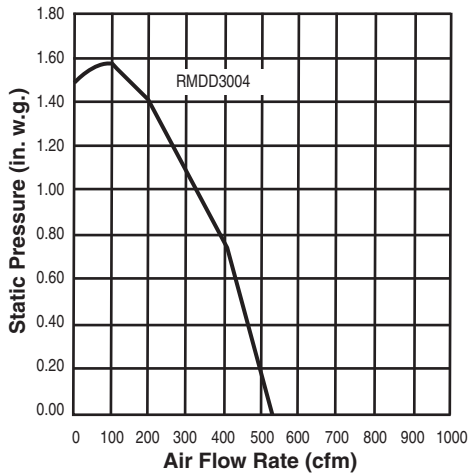
DIMENSIONS



*DIMENSIONED FROM
TOP OF COUNTERTOP.

NOTE: DIMENSIONS SHOWN ARE IN INCHES.

AIR FLOW PERFORMANCE



HVI-2100 CERTIFIED RATINGS comply with new testing technologies and procedures prescribed by the Home Ventilating Institute, for off-the-shelf products, as they are available to consumers. Product performance is rated at 0.1 in. (2.54 mm) static pressure, based on tests conducted in a state-of-the-art test laboratory. Sones are a measure of humanly-perceived loudness, based on laboratory measurements.



BROAN-NU-TONE CANADA INC., MISSISSAUGA, ONTARIO WWW.BROAN.CA 1-888-882-7626

PROJECT	REMARKS
LOCATION	
MODEL No.	
QTY.	
SUBMITTED BY	
DATE	