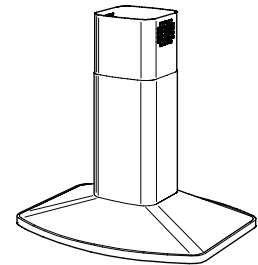


E54000 SERIES RANGE HOOD



Clean, contemporary style, with a soft-touch, will make this free-hanging island hood a beautiful focal point in any kitchen.

FEATURES

- Professional style design
- 430 Stainless Steel #4 Brushed construction
- Island mount installation
- Ducted/non-ducted telescopic flue - fits 8 ft. to 9 ft. ceilings
- 6" round duct connector/backdraft damper
- 480 cfm centrifugal blower
- Three-speed slide control
- Halogen lighting (4 x 20 Watt, Type JC 12V 20W G4 Base - bulbs included)
- Dishwasher-safe aluminum filter features a quick-release latch and professional style appearance
- Available size: 27-9/16" x 35-7/16"
- Heat Sentry™ - automatically turns blower to high speed when excess cooking heat is detected

OPTIONS

- Replacement grease filters available (B08087294)
- Non-ducted recirculation kit (Model RK54)
- Replacement charcoal filter (Model FILTERSQUARE)
- Flue Extension for 10 ft. ceiling Model FX54SS (ducted applications), Model FXN54SS (non-ducted applications) (36-5/8" Long)

SPECIFICATIONS

VOLTS	AMPS	CFM	SONES	DUCT
120	3.56	(HIGH) 480	9.5	6" round
		(LOW) 230	3.0	



TYPICAL SPECIFICATION

Range hood shall be Broan E54000 Series.

Unit shall be for indoor use only.

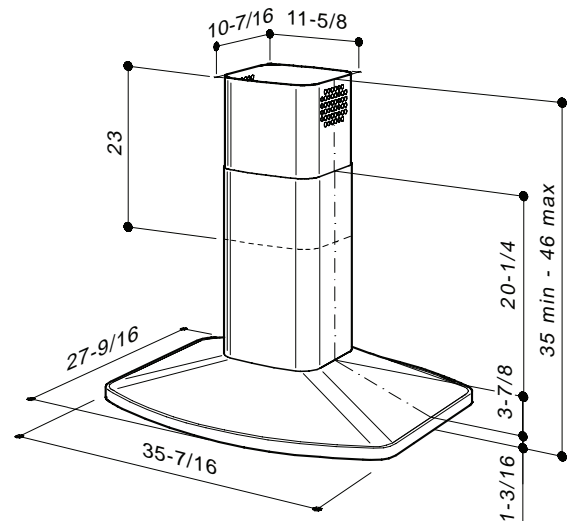
Unit shall be convertible between ducted (using a washable aluminum filter) and non-ducted (using a recirculation kit).

Motor to be permanently lubricated.

Unit shall have three-speed fan switch and separate light switch.

Air delivery shall be no less than 480 CFM.

Unit shall be U.L. and cUL listed.

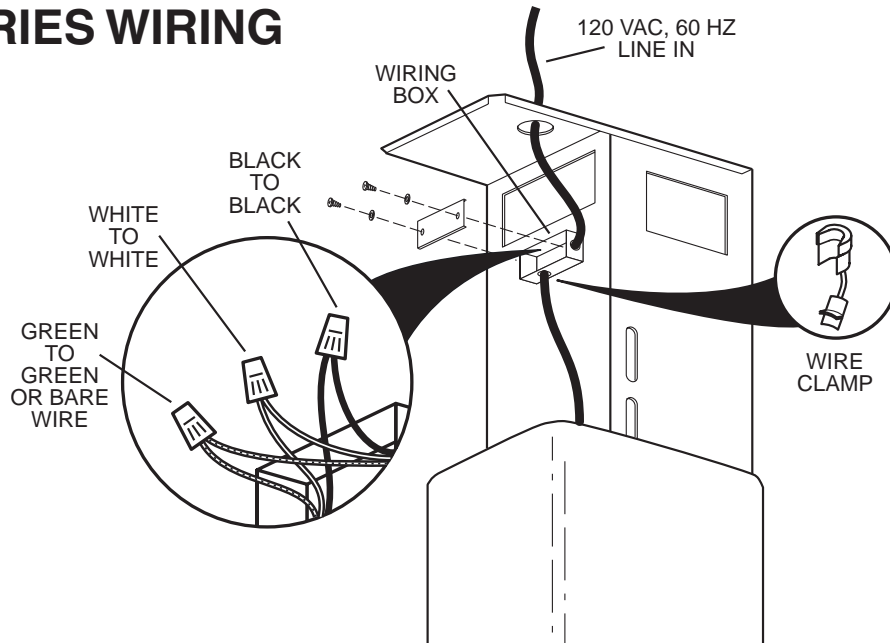


HVI-2100 CERTIFIED RATINGS comply with new testing technologies and procedures prescribed by the Home Ventilating Institute, for off-the-shelf products, as they are available to consumers. Product performance is rated at 0.1 in. static pressure, based on tests conducted in a state-of-the-art test laboratory. Sones are a measure of humanly-perceived loudness, based on laboratory measurements.

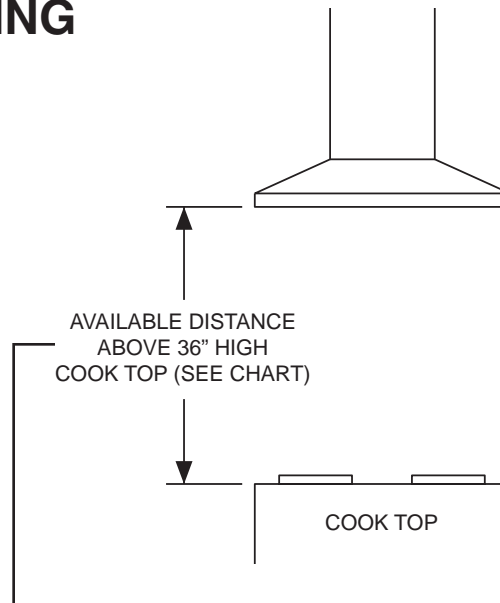
Broan-NuTone LLC Hartford, Wisconsin www.broan.com 800-558-1711
Broan-NuTone Canada, Inc. Mississauga, Ontario www.broan.ca 877-896-1119

REFERENCE	QTY.	REMARKS	Project
			Location
			Architect
			Engineer
			Contractor
			Submitted by Date

E54000 SERIES WIRING



E54000 SERIES MOUNTING



CEILING HEIGHT	DUCT METHOD	HOOD DISTANCE ABOVE 36" HIGH COOK TOP (see note a)						
		24"	25"	26"	27"	28"	29"	30"
8-FOOT	DUCTED AND NON-DUCTED	X	X					
9 FOOT	DUCTED AND NON-DUCTED			X	X	X	X	X
10-FOOT (see note b)	DUCTED AND NON-DUCTED	X	X	X	X	X	X	X

NOTES:

- a. Minimum hood distance above cooktop must not be less than 24".
A maximum of 30" above the cooktop is highly recommended for best capture of cooking impurities.
Distances over 30" above the cooktop are at the installer's and user's discretion - providing that ceiling height and flue length permit.
- b. Requires optional 10-foot flue extension model FX54SS (ducted) or FXN54SS (non-ducted).

