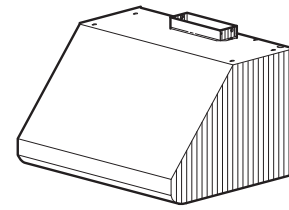


E60 SERIES PRO-STYLE RANGE HOOD



For domestic cooking only.

Styling is fresh and modern, yet designed to easily complement popular pro-style, high performance cooking products.

A complete installation requires several optional components. Refer to page 2 when planning your installation.

FEATURES

HOOD:

- Widths - 30" to 48" in 6" increments
- Stainless steel, 22 gauge, type 430, no. 4 brush
- Stainless steel baffle filters with handles - easily accessible, dishwasher safe
- Variable intensity cooktop lighting provided by 2 LED modules included (120 V, 5.5 W)
- Solid-State, infinite speed blower control with speed memory
- Exclusive, Broan Heat Sentry™ turns blower ON to HIGH speed when excess heat is detected
- 3¼" x 10" ducting - single blower (600 cfm)
- 4½" x 18½" ducting - dual blower (1200 cfm)
- Compatible with Broan Automatic Make-up Air Dampers - MD6T (6" duct), MD8T (8" duct)
- For indoor use only.

BACKSPLASH:

RMP Series (Optional)

- Widths - 30" to 48" in 6" increments
- Stainless steel, 22 gauge, type 430, no. 4 brush - protects back wall and wipes clean easily
- Two, removable, dual-position condiment storage shelves

SOFFIT CHIMNEY:

AEE Series (Optional)

- Widths - 30" to 48" in 6" increments
- Stainless steel, 22 gauge, type 430, no. 4 brush
- Recommended for use when installation location has no soffit

SPECIFICATION:

Single Blower

- Max. blower CFM*: 650
- 120 VAC, 60 Hz, 5.5 Amps
- 600 cfm, sound level no greater than 13.5 sones (high speed, vert. & horiz. discharge)
- See last page for HVI performance data

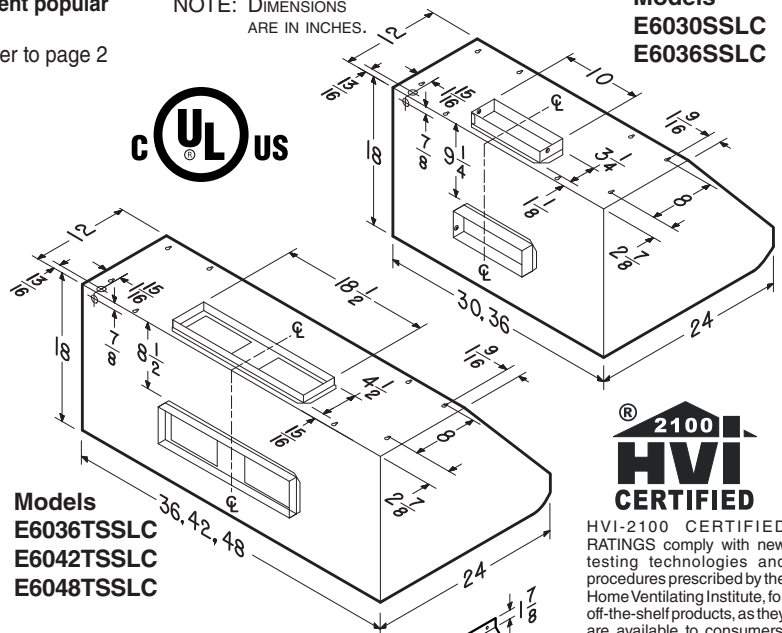
Dual Blower

- Max. blower CFM*: 1290
- 120 VAC, 60 Hz, 9.0 Amps
- 1200 cfm, sound level no greater than 14.5 sones (high speed, vert. & horiz. discharge)
- See last page for HVI performance data

Venmar Ventilation ULC Drummondville, Québec www.broan-nutone.ca 877-896-1119

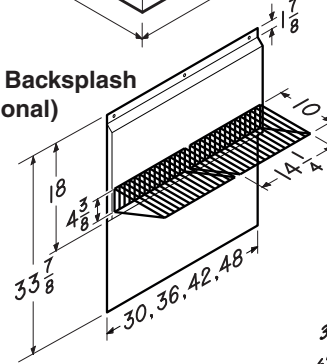
NOTE: DIMENSIONS ARE IN INCHES.

Models
E6030SSLC
E6036SSLC

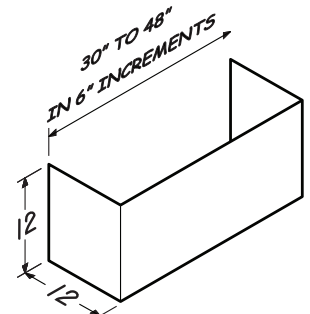


HVI-2100 CERTIFIED RATINGS comply with new testing technologies and procedures prescribed by the Home Ventilating Institute, for off-the-shelf products, as they are available to consumers. Product performance is rated at 0.1 in. static pressure, based on tests conducted in a state-of-the-art test laboratory. Sones are a measure of humanly-perceived loudness, based on laboratory measurements. * Max. blower CFM indicates the performance of the hood blower in open air.

RMP Series Backsplash (Optional)



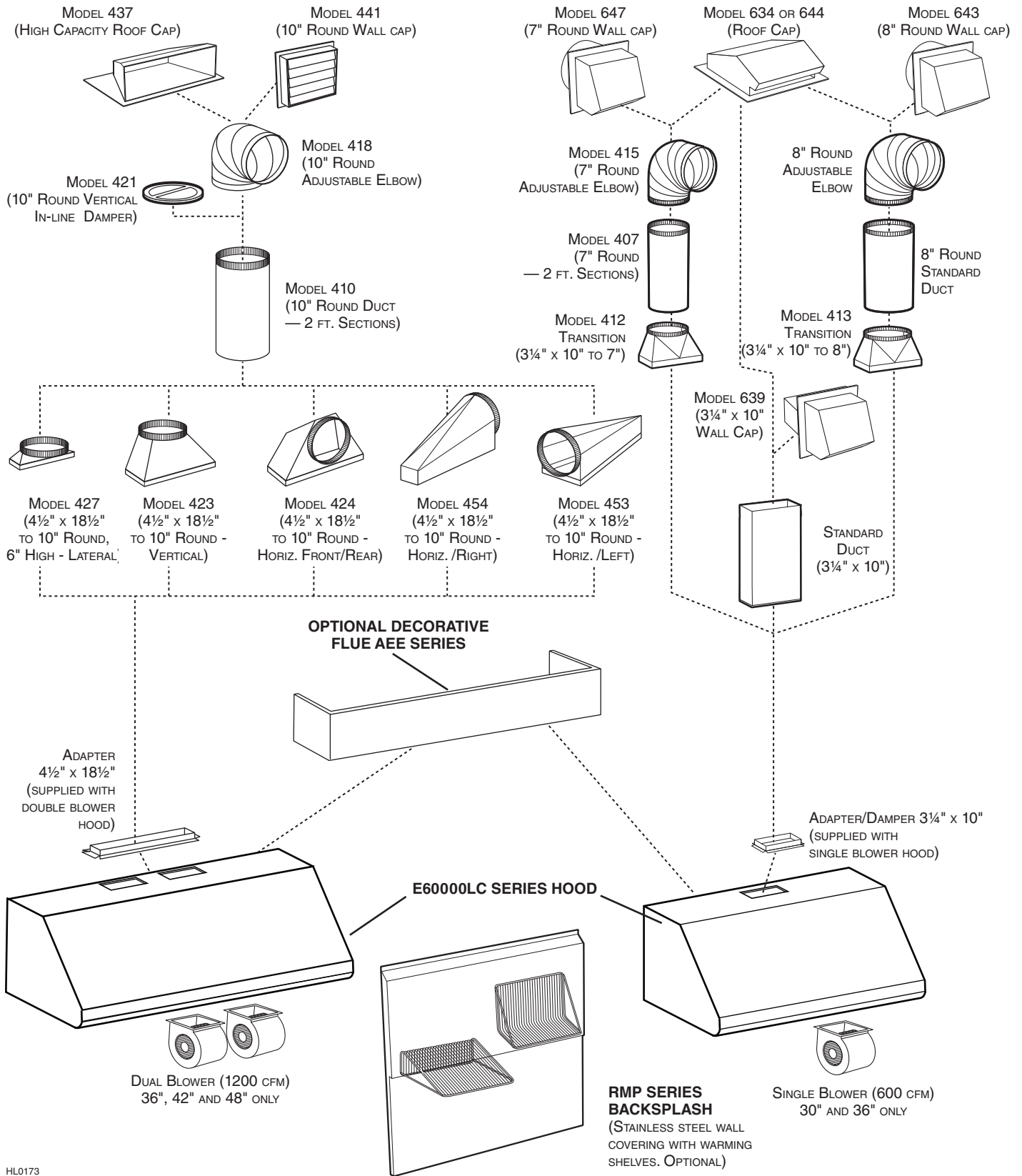
AEE Series Soffit Chimney (Optional)



REFERENCE	QTY.	REMARKS	Project
			Location
			Architect
			Engineer
			Contractor
			Submitted By
			Date

E60 SERIES RANGE HOOD SYSTEM

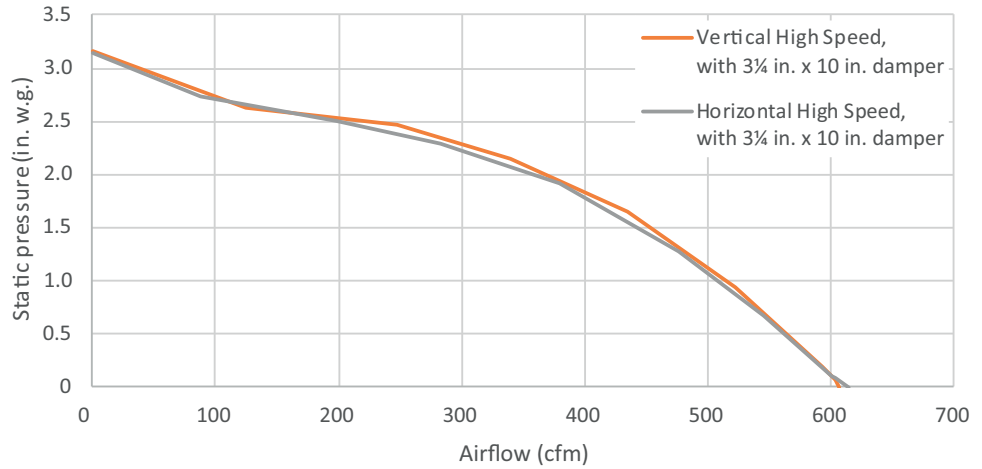
INTERNAL BLOWERS



HL0173

E60 SERIES PERFORMANCES

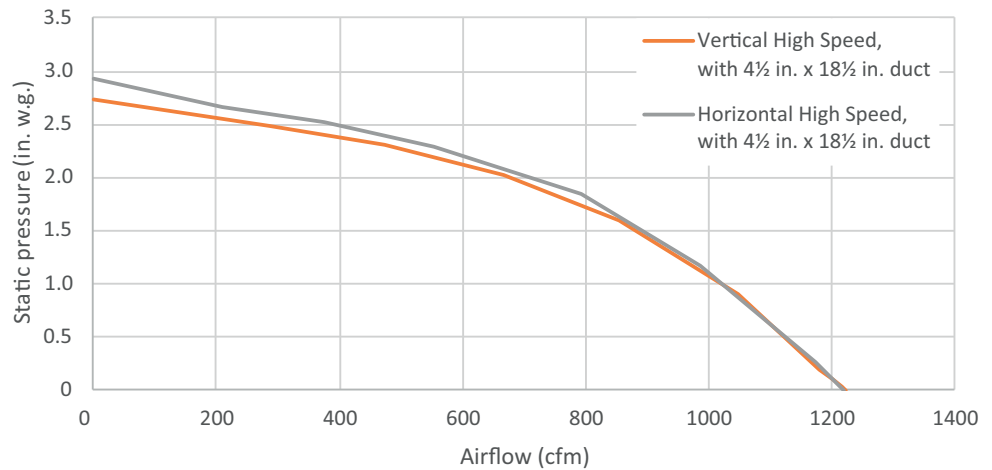
Models
E6030SSLC
E6036SSLC



HVI PERFORMANCE

Duct Orientation	Size	Damper	Sones		CFM		
			Normal	High	Normal	High 0.25 in. w.g.	High 0.1 in. w.g.
Vertical - Rectangular	3 1/4 in. x 10 in.	Included	1.5	13.0	150	588	600
Horizontal - Rectangular	3 1/4 in. x 10 in.	Included	1.5	13.5	150	585	600

Models
E6036TSSLC
E6042TSSLC
E6048TSSLC



HVI PERFORMANCE

Duct Orientation	Size	Damper	Sones		CFM		
			Normal	High	Normal	High 0.25 in. w.g.	High 0.1 in. w.g.
Vertical - Rectangular	4 1/2 in. x 18 1/2 in.	Not included	2.0	14.5	350	1169	1200
Horizontal - Rectangular	4 1/2 in. x 18 1/2 in.	Not included	2.0	14.0	350	1176	1200