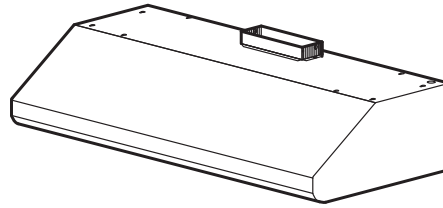


# E64 SERIES RANGE HOOD



**For domestic cooking only.**

Styling is fresh and modern, yet designed to easily complement popular pro-style, high performance cooking products.

A complete installation requires several optional components. Refer to page 2 when planning your installation.

### FEATURES

#### HOOD:

- Widths available - 30" to 48" in 6" increments
- Stainless steel, 22 gauge, type 430, no. 4 brush
- Stainless steel baffle filters with handles - easily accessible, dishwasher safe
- Variable intensity cooktop lighting provided by 2 LED modules included (120 V, 5.5 W)
- Variable speed blower control with speed memory
- Exclusive, Heat Sentry™ turns blower ON to HIGH speed when excess heat is detected
- Ducting
  - 3¼" x 10" - single blower (600 cfm) 30" to 48" hood widths
  - 4½" x 18½" - dual blower (1200 cfm) 36" to 42" hood widths

#### NON-DUCTED RECIRCULATING KIT:

##### ANKE60 Series (Optional)

- Stainless steel, 22 gauge, type 430, no. 4 brush
- Available for hood widths up to 48"
- Charcoal filters included
- Replacement charcoal filters:
  - Service Part no. SV08343 - round filter retail pack

#### BACKSPLASH:

##### RMP Series (Optional)

- Widths - 30" to 48" in 6" increments
- Stainless steel, 22 gauge, type 430, no. 4 brush - protects back wall and wipes clean easily
- Two, removable, dual position condiment storage shelves

#### SPECIFICATION:

##### Single Blower

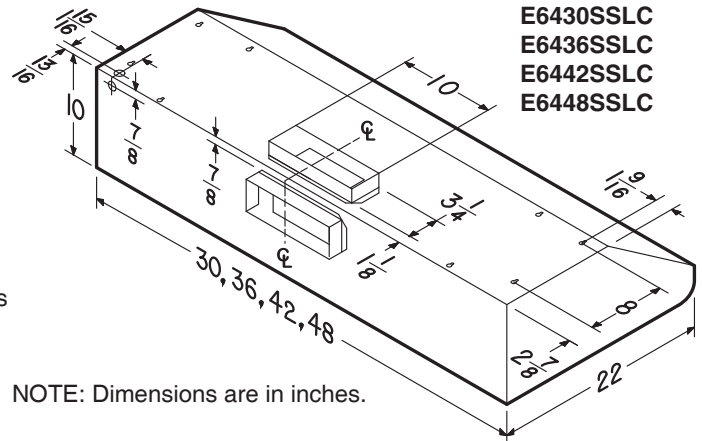
- Max. blower CFM\*: 650
- 120 VAC, 60 Hz, 5.5 Amps
- 600 cfm, sound level no greater than 13 sones (high speed, vert. & horiz. discharge)
- See last page for HVI performance data

##### Dual Blower

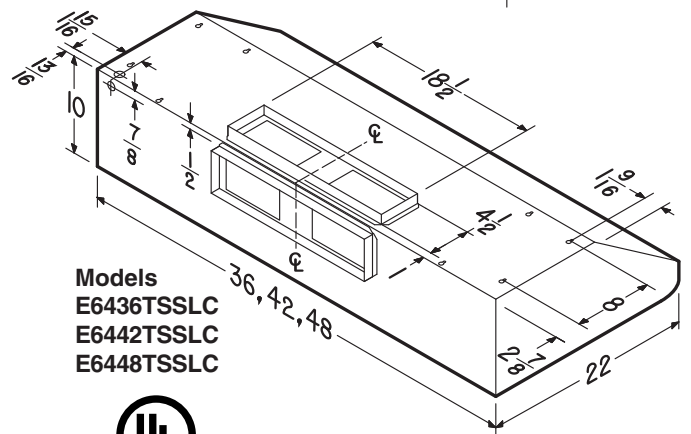
- Max blower CFM\*: 1290
- 120 VAC, 60 Hz, 9.0 Amps
- 1200 cfm, sound level no greater than 14.5 sones (high speed, vert. & horiz. discharge)
- See last page for HVI performance data

#### Models

E6430SSLC  
E6436SSLC  
E6442SSLC  
E6448SSLC



NOTE: Dimensions are in inches.



#### Models

E6436TSSLC  
E6442TSSLC  
E6448TSSLC



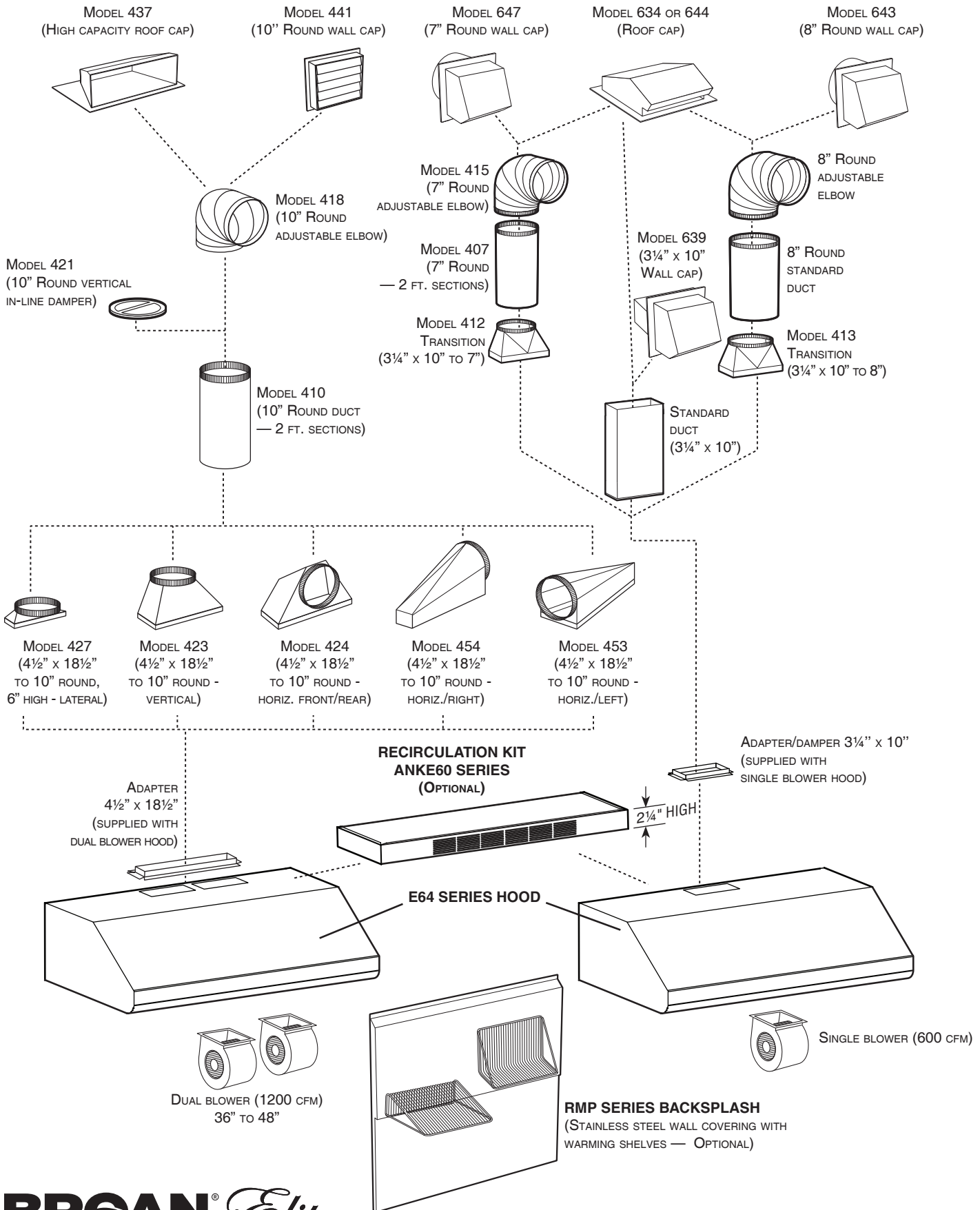
HVI-2100 CERTIFIED RATINGS comply with new testing technologies and procedures prescribed by the Home Ventilating Institute, for off-the-shelf products, as they are available to consumers. Product performance is rated at 0.1 in. static pressure, based on tests conducted in a state-of-the-art test laboratory. Sones are a measure of humanly-perceived loudness, based on laboratory measurements.

\* Max. blower CFM indicates the performance of the hood blower in open air.

Venmar Ventilation ULC, Drummondville, Québec www.broan-nutone.ca 877-896-1119

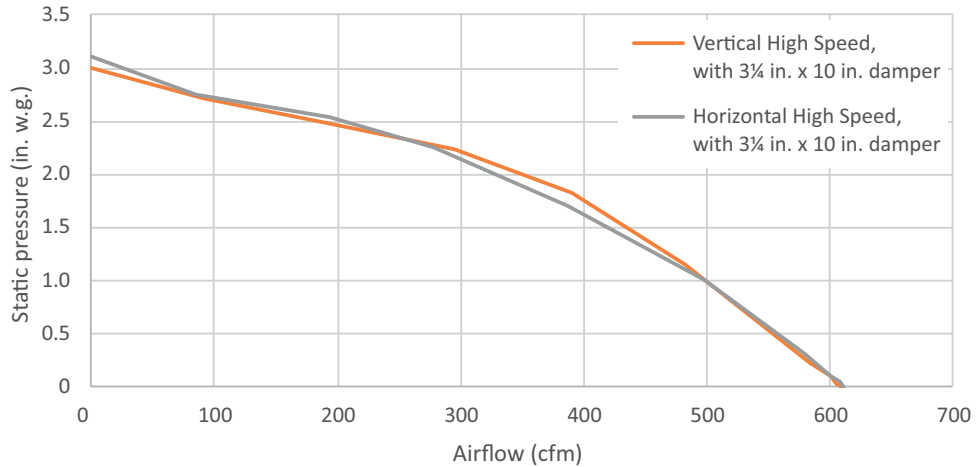
REFERENCE	QTY.	REMARKS	Project:
			Location:
			Architect:
			Engineer:
			Contractor:
			Submitted by: Date:

# E64 SERIES RANGE HOOD SYSTEM INTERNAL BLOWERS



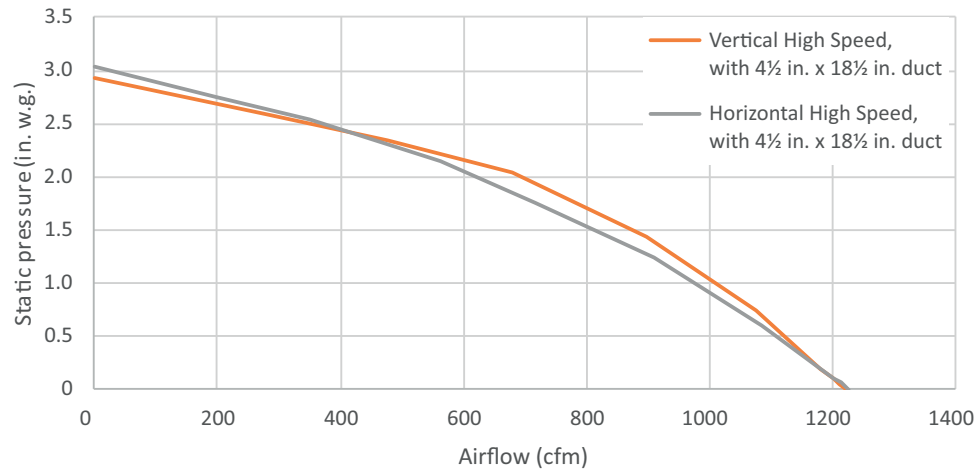
# E64 SERIES PERFORMANCES

**Models**  
**E6430SSLC**  
**E6436SSLC**  
**E6442SSLC**  
**E6448SSLC**



HVI PERFORMANCE							
Duct Orientation	Size	Damper	Sones		CFM		
			Normal	High	Normal	High 0.25 in. w.g.	High 0.1 in. w.g.
Vertical - Rectangular	3 1/4 in. x 10 in.	Included	1.5	13.0	100	581	600
Horizontal - Rectangular	3 1/4 in. x 10 in.	Included	1.5	13.0	100	585	600

**Model**  
**E6436TSSLC**  
**E6442TSSLC**  
**E6448TSSLC**



HVI PERFORMANCE							
Duct Orientation	Size	Damper	Sones		CFM		
			Normal	High	Normal	High 0.25 in. w.g.	High 0.1 in. w.g.
Vertical - Rectangular	4 1/2 in. x 18 1/2 in.	Not included	2.0	14.5	350	1169	1200
Horizontal - Rectangular	4 1/2 in. x 18 1/2 in.	Not included	2.0	14.0	350	1166	1200