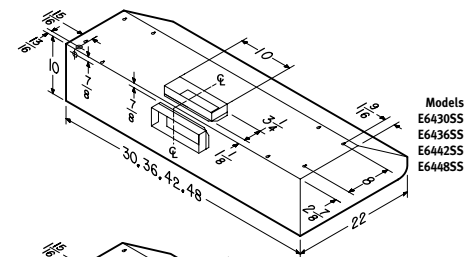
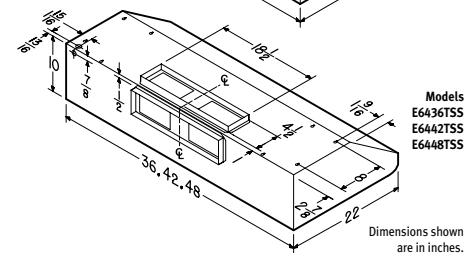




Dishwasher-safe baffle filters feature handles for convenient removal.



Models
E6430SS
E6436SS
E6442SS
E6448SS



Models
E6436TSS
E6442TSS
E6448TSS

Dimensions shown are in inches.

Broan Elite E64000 Series

Broan introduces the E64000 range hoods in 10" under-cabinet. These new models come with integrated internal blowers or dedicated external blower capability. When you want professional style and performance, trust Broan to cover every detail.

- 10" under-cabinet design
- Brushed stainless steel finish 30", 36", 42" and 48" widths, 22" depth
- 600 CFM internal blower is standard on all models
- 1100 CFM blower available in 36" and 42" models
- 1200 CFM blower also available in 48" model
- Dedicated models in all widths for use with external blower options—choice of eight, from 280–1500 CFM
- Bright halogen lighting; Two 50-watt bulbs in 30" and 36" widths, Three 50-watt bulbs in 42" and 48" widths (purchase bulbs separately)
- Pro-style, dishwasher-safe baffle filters with removable grease drip rail
- Variable speed control remembers last setting—blue power-on indicator light
- Heat Sentry™ detects excessive heat and adjusts blower speed automatically

- Optional pro-style backsplash
- Designed to duct out of the hood shell in either horizontal or vertical direction with internal blowers. External blowers duct vertically

SPECIFICATIONS

| WIDTH | INTERNAL BLOWER** 600 CFM Duct 3-1/4" x 10" | INTERNAL BLOWER** 1100 CFM Duct 4-1/2" x 18" | INTERNAL BLOWER** 1200 CFM Duct 4-1/2" x 18" | EXTERNAL BLOWER** CAPABLE Duct 10" Rd | MAX AMPS* | SONES AT NORMAL SPEED* | OPTIONAL BACK-SPLASH |
|-------|---|--|--|---|-----------|------------------------|----------------------|
| 30" | E6430SSC | | | E64E30SS | 5.5 | 1.5 max | RMP3004 |
| 36" | E6436SSC | E6436TSSC | | E64E36SS | 5.5 | 1.5 max | RMP3604 |
| 42" | E6442SSC | E6442TSSC | | E64E42SS | 9.0 | 1.5 max | RMP4204 |
| 48" | E6448SSC | | E6448TSSC | E64E48SS | 9.0 | 2.0 max | RMP4804 |

OPTIONS

ARP310*** Air flow reducer (limits the airflow of the hood under 300 CFM)

* Sones at high speed for Internal 600 – 13.5 max; Internal 1200 – 14.5 max

** Duct adapter & damper is included with the Internal blowers: External blower capable models include the 332KR rough-in kit

*** 600 CFM hoods only

• 120V 60Hz



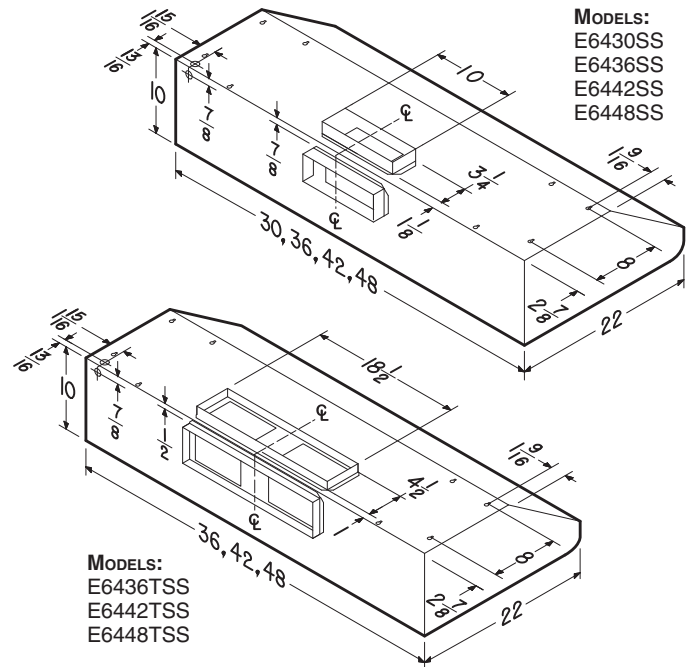
87121B 13/04

SPECIFICATIONS

| MODEL | E64 | E64T (36" AND 42") | E64T (48") |
|------------------------|--|--|--|
| BLOWER | SINGLE | DUAL | DUAL |
| VOLTS | 120 VAC | 120 VAC | 120 VAC |
| Hz | 60 | 60 | 60 |
| AMPS | 5.5 | 9.0 | 9.0 |
| CFM (HIGH SPEED) | 600 | 1100 | 1200 |
| CFM (LOW SPEED) | 150 | 300 | 350 |
| SONES (HIGH SPEED) | 13.0 | 14.5 | 14.5 |
| SONES (LOW SPEED) | 1.5 | 2.0 | 2.0 |
| DUCTING SIZE | 3¼" x 10" | 4½" x 18½" | 4½" x 18½" |
| SHIELDED HALOGEN BULBS | 120 V, 50 W MAX., WITH GU10 BASE* | 120 V, 50 W MAX., WITH GU10 BASE* | 120 V, 50 W MAX., WITH GU10 BASE* |
| WARRANTY | 1 YEAR | 1 YEAR | 1 YEAR |

*2 BULBS FOR 30" AND 36" WIDTH MODELS, 3 BULBS FOR 42" AND 48" WIDTH MODELS (BULBS SOLD SEPARATELY).

DIMENSIONS

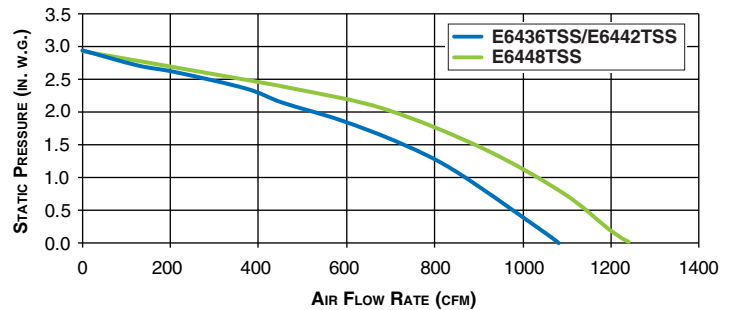
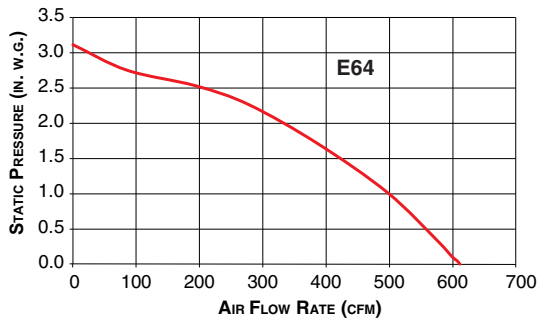


MODELS:
E6430SS
E6436SS
E6442SS
E6448SS

MODELS:
E6436TSS
E6442TSS
E6448TSS

NOTE: DIMENSIONS SHOWN ARE IN INCHES.

AIR FLOW PERFORMANCE



HVI-2100 CERTIFIED RATINGS comply with new testing technologies and procedures prescribed by the Home Ventilating Institute, for off-the-shelf products, as they are available to consumers. Product performance is rated at 0.1 in. static pressure, based on tests conducted in AMCA's state-of-the-art test laboratory. Sones are a measure of humanly-perceived loudness, based on laboratory measurements.



BROAN-NU-TONE CANADA INC., MISSISSAUGA, ONTARIO WWW.BROAN.CA 1-888-882-7626

| PROJECT | REMARKS |
|--------------|---------|
| LOCATION | |
| MODEL No. | |
| QTY. | |
| SUBMITTED BY | |
| DATE | |

