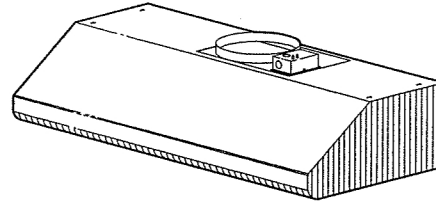


### E64E SERIES RANGE HOOD



*For domestic cooking only.*

Styling is fresh and modern, yet designed to easily complement popular pro-style, high performance cooking products.

A complete installation requires several optional components. Refer to page 2 when planning your installation.

#### FEATURES

##### HOOD:

- Widths available - 30" to 48" in 6" increments
- Stainless steel, 22 gauge, type 430, #4 brush
- Stainless steel baffle filters with handles - easily accessible, dishwasher safe
- 2-level cooktop lighting (30" & 36" wide hoods = 2 lamps, 42" & 48" wide hoods = 3 lamps. Uses 50W, GU10 halogen lamps. Bulbs not included.)
- Solid-state, variable speed blower control with speed memory
- Exclusive, Heat Sentry™ turns blower ON to HIGH speed when excess heat is detected
- 10" round duct adapter (Model 332KR - included)
- Compatible with Broan Automatic Make-up Air Dampers - MD6T (6" duct), MD8T (8" duct)
- For indoor use only.

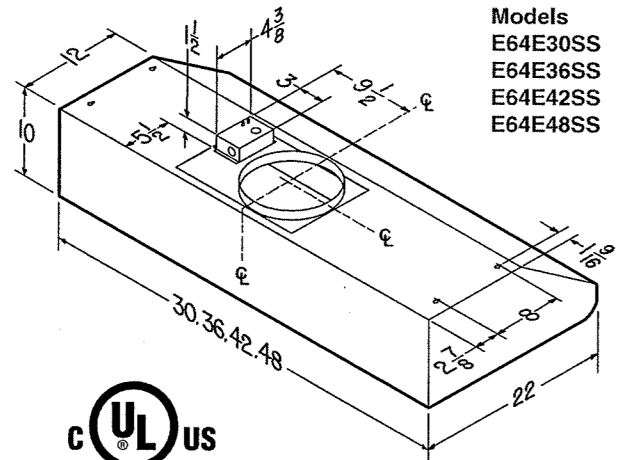
##### BACKSPLASH:

##### RMP Series (Optional)

- Widths - 30" to 48" in 6" increments
- Stainless steel, 22 gauge, type 430, #4 brush - protects back wall and wipes clean easily
- Two, removable, dual position condiment storage shelves

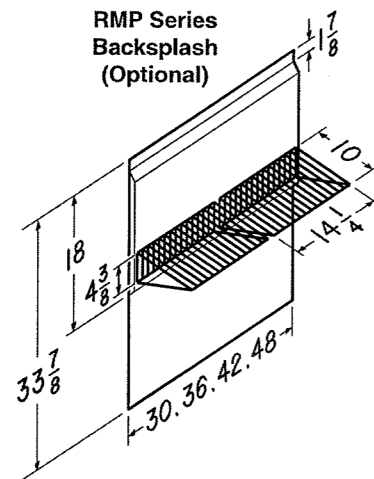
##### SPECIFICATION:

- 120 VAC, 60 Hz,
- 0.8 Amps without blower (30" & 36" widths)
- 1.3 Amps without blower (42" & 48" widths)



Models  
E64E30SS  
E64E36SS  
E64E42SS  
E64E48SS

##### RMP Series Backsplash (Optional)



Broan-NuTone LLC Hartford, Wisconsin www.broan.com 800-558-1711  
Broan-NuTone Canada Mississauga, Ontario www.broan.ca 877-896-1119

REFERENCE	QTY.	REMARKS	Project
			Location
			Architect
			Engineer
			Contractor
			Submitted By
			Date

# E64E SERIES RANGE HOOD SYSTEM INLINE AND EXTERIOR BLOWERS

