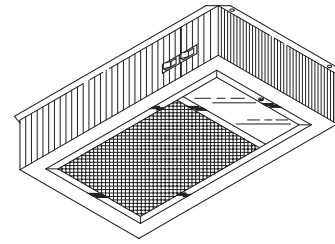


# MODEL PM25WW POWER MODULE



**FEATURES**

- Two-speed motor
- Rocker switch controls
- 6 5/8" (168.3 mm) Fan, 250 CFM (118.0 L/s), 6.0 Sones
- 7" (177.8 mm) round ducted or non-ducted discharge
- Enclosed light
- Accepts one incandescent max. 60-watt bulb (not included)
- One-piece, washable aluminum mesh filter
- Maximum installation gap between the unit and the range is 20" (508 mm)
- Durable, powder coated finish - white on white
- All edges hemmed for safety and strength
- Operation particulars - 120 Volts, 60 Hz, and 2.8 Amps

**TYPICAL SPECIFICATION**

Power Module shall be Model PM25WW.

Power Module shall have a two-speed motor and enclosed light, controlled by rocker switches.

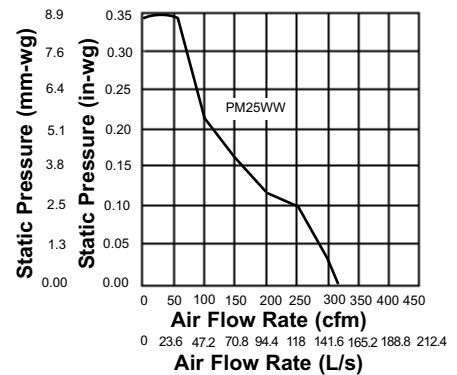
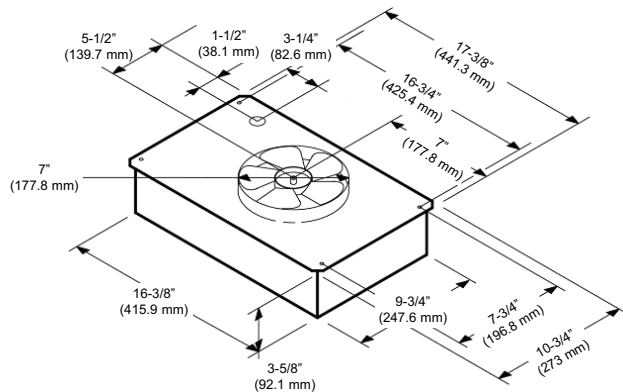
Fan must be convertible between ducted and non-ducted discharge. Ducted mode uses 7" (177.8 mm) duct and washable aluminum mesh filter. Non-ducted mode uses optional, disposable charcoal filter (Model 354NDK).

Unit shall have a durable, powder coated finish with all edges hemmed.

Air delivery to be at least 250 CFM (118.0 L/s) and sound levels not greater than 6.0 Sones. All air and sound ratings shall be certified by HVI. Unit shall be cULus listed.

**SPECIFICATIONS**

VOLTS	AMPS	SONES	CFM (L/s)	DUCT (mm)
120	2.8	6.0	250 (118 L/s)	7" Rd (177.8 mm)



HVI-2100 CERTIFIED RATINGS comply with new testing technologies and procedures prescribed by the Home Ventilating Institute, for off-the-shelf products, as they are available to consumers. Product performance is rated at 0.1 in. (2.54 mm) static pressure, based on tests conducted in AMCA's state-of-the-art test laboratory. Sones are a measure of humanly-perceived loudness, based on laboratory measurements.



Broan-NuTone LLC, 926 West State Street, Hartford, WI 53027 (1-800-637-1453)  
Broan-NuTone Canada Inc., 1140 Tristar Drive, Mississauga, Ontario, Canada L5T 1H9 (1-888-882-7626)

REFERENCE	QTY.	REMARKS	Project
			Location
			Architect
			Engineer
			Contractor
			Submitted by <span style="float: right;">Date</span>