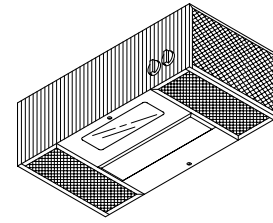


MODEL PM44WW POWER MODULE

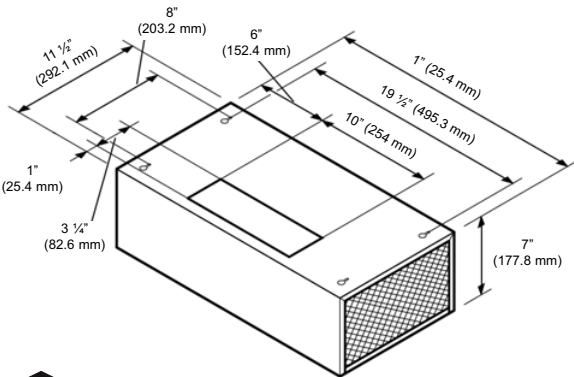


FEATURES

- Variable speed motor
- Rotary controls
- Dual centrifugal blower, 410 CFM (207.7 L/s), 5.5 sones
- 3 1/4" x 10" (82.6 mm x 254 mm) vertical ducted or non-ducted discharge
- Enclosed two-level lighting
- Accepts one incandescent max. 75-watt bulb (not included)
- Two washable aluminum mesh filters
- May use disposable charcoal filter
- Durable, powder-coated finish - white on white
- All edges hemmed for safety and strength
- Operation particulars - 120 V, 60 Hz and 4.5 A

SPECIFICATIONS

VOLTS	AMPS	SONES	CFM (L/s)	DUCT (mm)
120	4.5	5.5	410 (207.7)	3-1/4" x 10" (82.6 x 254)



TYPICAL SPECIFICATION

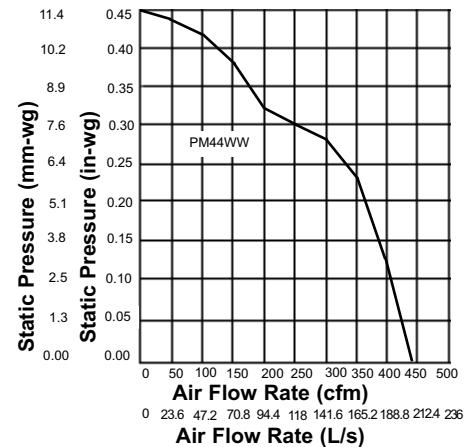
Power Module shall be Model PM44WW

Power Module shall have a variable speed motor and enclosed two-level light, controlled by rotary switches.

Fan must be convertible between ducted and nonducted discharge. Ducted mode uses 3 1/4" x 10" (82.6 mm x 254 mm) duct and two washable aluminum mesh filters. Non-ducted mode uses optional, disposable charcoal filter (Model 355NDK).

Unit shall have a durable, powder-coated finish with all edges hemmed.

Air delivery to be at least 410 CFM (207.7 L/s) and sound levels not greater than 5.5 sones. All air and sound ratings shall be certified by HVI. Unit shall be cULus listed.



HVI-2100 CERTIFIED RATINGS comply with new testing technologies and procedures prescribed by the Home Ventilating Institute, for off-the-shelf products, as they are available to consumers. Product performance is rated at 0.1 in. (2.54 mm) static pressure, based on tests conducted in AMCA's state-of-the-art test laboratory. Sones are a measure of humanly-perceived loudness, based on laboratory measurements.



Broan-NuTone LLC, Hartford, Wisconsin, U.S.A. 53027

Broan-NuTone Canada Inc., 1140 Tristar Drive, Mississauga, Ontario, Canada L5T 1H9 (1-888-882-7626)

REFERENCE	QTY.	REMARKS	Project
			Location
			Architect
			Engineer
			Contractor
			Submitted by
			Date