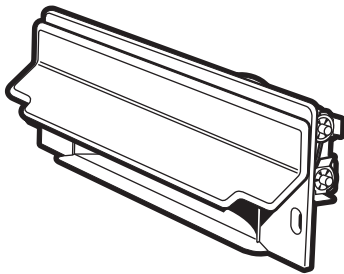
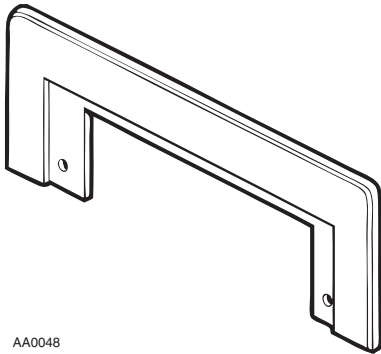


CANSWEEP® SWEEP INLET VALVE AND TRIM PLATE FOR CENTRAL VACUUM SYSTEM MODEL V800W AND V801W

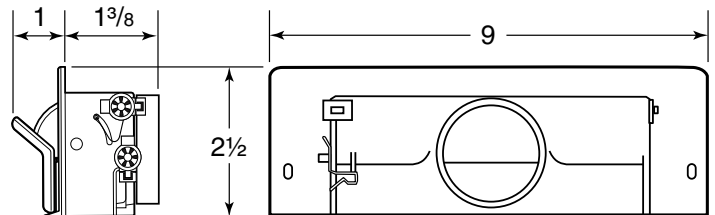
V800W



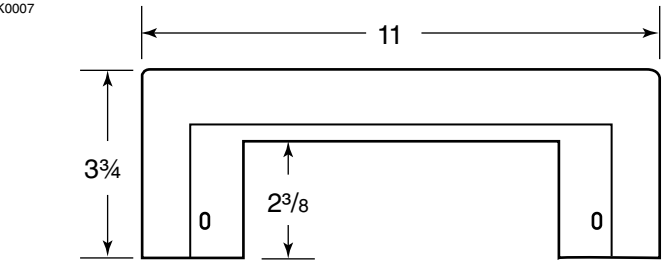
V801W



AA0048

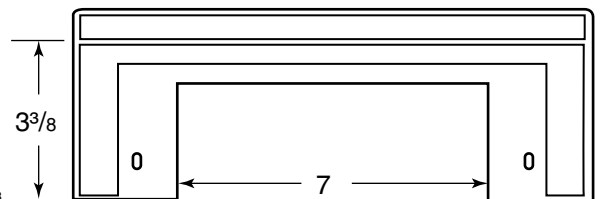


AK0007



3/16

AK0008



NOTE: Dimensions shown in inches.

FEATURES

- Full length door for easy open and close
- Modern design with textured white finish
- Maximum airflow for effective cleaning and zero loss of suction
- Durable Neoprene seal
- Horizontal rear outlet for easy installation
- Automatic operation for use with a central vacuum system
- Manufactured in Canada
- Matching optional V801W trim plate available for retrofit installations

	V800W	V801W
Standard Pack Quantity	1	1
Carton Size (in.)	9.25 x 3 x 3	11.5 x 5 x 0.25
Carton Weight (lb)	.35	.07

Venmar Ventilation ULC; Drummondville, Québec www.broan.ca www.nutone.ca 1-877-896-1119

Project:	REMARKS
Location:	
Model no.:	
Quantity:	
Submitted by:	
Date:	