

TECHNICAL SPECIFICATIONS



POWER UNIT	BQ700	BQ650	BQ550
MAX. SQUARE FOOTAGE OF THE HOME	9,000	7,000	4,000
POWER (AIR WATTS)	700	650	550
SOUND LEVEL (DECIBELS)	63 dB	64 dB	66 dB
FILTRATION	Permanent, self-cleaning HEPA filter	Permanent, self-cleaning HEPA filter	Regular
DEBRIS PAIL CAPACITY (L)	22.7	22.7	22.7 (bag only)
DIMENSIONS D X W X H (IN.)	14 5/8 x 13 1/4 x 38 1/2	14 5/8 x 13 1/4 x 36 7/8	14 5/8 x 13 1/4 x 29 3/4
VOLTAGE	120	120	120
CURRENT RATING (AMP)	13.5	13.5	12
WARRANTY ON PARTS	10 Years	8 Years	5 Years
WARRANTY ON LABOUR	6 Years	5 Years	3 Years



CUSTOMER SERVICE
1-888-882-7626
broan.ca

87654 05/19

SELECT A TOOL SET

STANDARD tool set BNAK1



STANDARD FLOOR BRUSH
10 in. wide hard floor brush features swivel neck and unique bristle cut to ensure efficient debris collection. Ideal for spaces with no carpet.



30 FT. CRUSHPROOF HOSE
Crushproof hose. Universal wall end to fit most inlet valves.



STAINLESS STEEL TELESCOPIC WAND
Adjustable length ranging from 25 in. to 38 3/8 in.



LONG CREVICE
Notched end, ensures continuous airflow for optimum cleaning in narrow or hard-to-reach places.



CONVENIENT MULTI-SURFACE BRUSH
Large, premium multi-surface floor brush is ideal for cleaning both hard flooring and carpet. Highly maneuverable and durable, this convenient combination floor tool is among the quietest available.



CRUSHPROOF 30 FT. LOW-VOLTAGE HOSE
Crushproof hose features an ergonomic handle with full 360-degree rotation to help prevent wrist strain and hose kinking. Knitted hose sock to protect furniture and trim from scratches (easy installation tube included). Universal wall end to fit most inlet valves. 3-year warranty.



PREMIUM HARD FLOOR BRUSH
Soft bristle floor brush with side channels for better edge cleaning. Scalloped bristle pattern avoids snow plowing debris while controlling air-flow for superior pick-up of all debris.



MESH STORAGE BAG
Keeps tools organized and in easy reach.



ELECTRIC POWER BRUSH
For deep cleaning of medium to high pile carpet. Full-width deluxe brush for maximum cleaning zone. More effective for picking up dirt in corners and along walls.



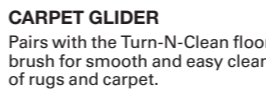
CRUSHPROOF 35 FT. DUAL-VOLTAGE HOSE
Crushproof hose features an ergonomic handle with full 360-degree rotation to help prevent wrist strain and hose kinking. Knitted hose sock to protect furniture and trim from scratches (easy installation tube included). Universal wall end to fit most inlet valves. 3-year warranty.



ELECTRIC WAND
Dedicated wand for electric power brush.



PREMIUM HARD FLOOR BRUSH
Extra-wide 13 in. premium hard floor brush with soft bristles that are gentle on wood floors. Patented swivel pivot connection allows for effortless maneuvering in tight spaces.



CARPET GLIDER
Pairs with the Turn-N-Clean floor brush for smooth and easy cleaning of rugs and carpet.



WAND HANGER
For easy storage on wall or back of door.



UPHOLSTERY TOOL
For easy cleaning of furniture.



DUSTING BRUSH
Soft bristles won't scratch surfaces.



STRONG METAL HOSE HANGER
For fast and easy hose storage.

ALSO SOLD SEPARATELY

With vacuum accessories for virtually every type of flooring, whether it be hard flooring or carpet, Roan makes it easy to keep your home looking its best. Choose the kit that best suits your needs. Kits sold separately.

OPTIONAL ACCESSORIES

GK225 GARAGE AND CAR CARE KIT

- 50 ft. long crushproof hose allows you to move easily around the garage and the car
- Kit includes crevice tool, floor brush, dusting brush, upholstery tool, cloth caddy bag and hose hanger



BN165 AIR-DRIVEN BRUSH

- Ideal for homes with a mix of hard floors and carpet. The air-driven turbine cleans low to medium pile carpets effectively and eliminates the need for a separate electric power brush.



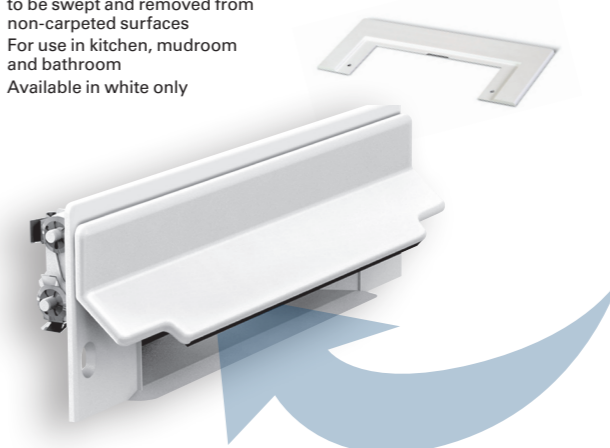
BNHS30 / BNHS35 KNITTED HOSE SOCK

- Protects banisters, walls, furniture, floors, wall coverings and moldings
- Fits all brands and models of hoses
- Available in 30' length (BNHS30) or 35' length (BNHS35)



V800W CANSWEEP® INLET VALVE

- Makes it easy for debris and dirt to be swept and removed from non-carpeted surfaces
- For use in kitchen, mudroom and bathroom
- Available in white only



V801W CANSWEEP® TRIM PLATE

- Available in white only



CENTRAL VACUUMS

UltraSilent™
Ultra Performance.

AMONG THE QUIETEST IN THE INDUSTRY



REDEFINING QUIET

Broan central vacuums have been engineered with ULTRASILENT™ sound technology to deliver strong suction power at noise levels among the quietest in the industry.

Whichever model you choose, Broan central vacuum systems are manufactured in Canada according to high quality and safety standards. Quiet, reliable and durable, they are engineered to deliver performance and peace of mind for years to come.



BQ700

**SO QUIET,
SO POWERFUL**

POWER

700
AIR WATTS

SURFACE AREA

UP TO
9000
SQ. FT.

WARRANTY

10
YEARS



LARGE DEBRIS
PAIL CAPACITY
6
US GAL.
22.7 L

BQ650

**QUIET AND
EFFICIENT
CLEANING**

POWER

650
AIR WATTS

SURFACE AREA

UP TO
7000
SQ. FT.

WARRANTY

8
YEARS



LARGE DEBRIS
PAIL CAPACITY
6
US GAL.
22.7 L

BQ550

**IDEAL FOR
COMPACT
SPACES**

POWER

550
AIR WATTS

SURFACE AREA

UP TO
4000
SQ. FT.

WARRANTY

5
YEARS



LARGE DISPOSABLE
BAG CAPACITY
6
US GAL.
22.7 L

ULTRASILENT™ technology

ULTRASILENT™ technology combines sound-absorbing materials and assembly techniques to offer one of the lowest noise levels in the industry. Deep cleaning has never been so peaceful!

- Sound-absorbing high-performance materials
- Rigid structure and anti-vibration mounts to limit vibration noise
- No muffler required

Sound rating

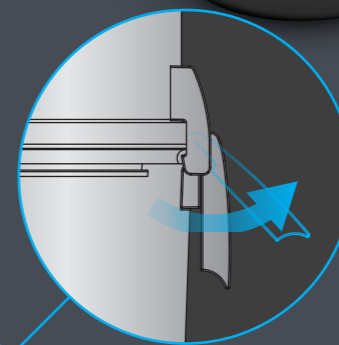
Central vacuum manufacturers' sound testing methods can vary greatly as do the decibel claims for their products. Broan central vacuums are tested in accordance with ASTM standard F1334-02 and are among the quietest available on the market today.



HEPA filtration

Captures up to 99.97% of all dust and microparticles**. Ensures that exhausted air is clean thus may help to reduce symptoms associated with allergies and respiratory problems.

**as small as 0.3 micron



So convenient

Large ergonomic latches on the debris pail make emptying your central vacuum child's play. The easy-to-remove debris pail facilitates handling and limits contact with dust.

EASY TO INSTALL

Perfect for new or replacement installations

A multi-direction vacuum inlet makes installation easy even in small spaces. Each model includes a wall mount support for safe and simple installation. Our five-step installation guide facilitates the work and the quality of execution.

See the complete installation guide on www.broan.ca



Products may not be exactly as shown.