

## VCS500 AND VCS550 SERIES

⚠ INTENDED FOR DOMESTIC COOKING ONLY ⚠

**READ AND SAVE THESE INSTRUCTIONS**

INSTALLER: LEAVE THIS MANUAL WITH HOMEOWNER.  
HOMEOWNER: USE AND CARE INFORMATION ON PAGE 11.

Venmar Ventilation ULC, 550 Lemire Blvd., Drummondville QC J2C 7W9 1-800-567-3855

REGISTER YOUR PRODUCT ONLINE AT: [www.bnv.ca](http://www.bnv.ca)

For additional information - visit [www.venmar.ca](http://www.venmar.ca)



## **⚠ WARNING**

---

### **TO REDUCE THE RISK OF FIRE, ELECTRIC SHOCK OR INJURY TO PERSONS, OBSERVE THE FOLLOWING:**

1. Use this unit only in the manner intended by the manufacturer. If you have questions, contact the manufacturer at the address or telephone number listed in the warranty.
2. Before servicing or cleaning unit, switch power off at service panel and lock service disconnecting means to prevent power from being switched on accidentally. When the service disconnecting means cannot be locked, securely fasten a prominent warning device, such as a tag, to the service panel.
3. Installation work and electrical wiring must be done by qualified personnel in accordance with all applicable codes and standards, including fire-rated construction codes and standards.
4. Sufficient air is needed for proper combustion and exhausting of gases through the flue (chimney) of fuel burning equipment to prevent backdrafting. Follow the heating equipment manufacturer's guidelines and safety standards such as those published by the National Fire Protection Association (NFPA) and the American Society for Heating, Refrigeration and Air Conditioning Engineers (ASHRAE) and the local code authorities.
5. When cutting or drilling into wall or ceiling, do not damage electrical wiring and other hidden utilities.
6. Ducted fans must always be vented outdoors.
7. Do not use this unit with any solid-state speed control device.
8. To reduce the risk of fire, use only metal ductwork.
9. This unit must be grounded.
10. When applicable, local regulations comprise more restrictive installation and/or certification requirements, the aforementioned requirements prevail on those of this document and the installer agrees to conform to these at his own expense.

### **TO REDUCE THE RISK OF A RANGE TOP GREASE FIRE:**

- a) Never leave surface units unattended at high settings. Boilovers cause smoking and greasy spillovers that may ignite. Heat oils slowly on low or medium settings.
- b) Always turn power hood ON when cooking at high heat or when flambeing food (i.e.: Crêpes Suzette, Cherries Jubilee, Peppercorn Beef Flambé).
- c) Clean ventilating fans frequently. Grease should not be allowed to accumulate on fan, filters or in exhaust ducts.
- d) Use proper pan size. Always use cookware appropriate for the size of the surface element.

## **⚠ WARNING**

---

### **TO REDUCE THE RISK OF INJURY TO PERSONS IN THE EVENT OF A RANGE TOP GREASE FIRE, OBSERVE THE FOLLOWING\*:**

1. SMOTHER FLAMES with a close-fitting lid, cookie sheet or metal tray, then turn off the burner. BE CAREFUL TO PREVENT BURNS. IF THE FLAMES DO NOT GO OUT IMMEDIATELY, EVACUATE AND CALL THE FIRE DEPARTMENT.
2. NEVER PICK UP A FLAMING PAN — You may be burned.
3. DO NOT USE WATER, including wet dishcloths or towels — This could cause a violent steam explosion.
4. Use an extinguisher ONLY if:
  - A. You own a Class ABC extinguisher and you know how to operate it.
  - B. The fire is small and contained in the area where it started.
  - C. The fire department has been called.
  - D. You can fight the fire with your back to an exit.

\* Based on "Kitchen Fire Safety Tips" published by NFPA.

## **CAUTION**

---

1. For indoor use only.
2. For general ventilating use only. Do not use to exhaust hazardous or explosive materials and vapors.
3. To avoid motor bearing damage and noisy and/or unbalanced impellers, keep drywall spray, construction dust, etc. off power unit.
4. Your hood motor has a thermal overload which will automatically shut off the motor if it overheats. The motor will restart when it cools down. If the motor continues to shut off and restart, have the hood serviced.
5. The minimum hood distance above cooktop must not be less than 24" (30" over a gas range). A maximum of 30" above cooktop is recommended for best capture of cooking impurities.
6. Two installers are recommended because of the large size and weight of this unit.
7. To reduce the risk of fire and to properly exhaust air, be sure to duct air outside — Do not exhaust air into spaces within walls or ceiling or into attics, crawl space or garage.
8. Because of the high exhausting capacity of this hood, you should make sure enough air is entering the house. Open a window close to or in the kitchen.
9. To reduce the risk of fire and electrical shock, the Venmar Chef VCS500 and VCS550 Series models should only be installed with their own built-in blowers.
10. Please read specification label on product for further information and requirements.

# 1. PREPARE THE INSTALLATION

## ⚠ WARNING

When performing installation, servicing or cleaning the unit, it is recommended to wear safety glasses and gloves.

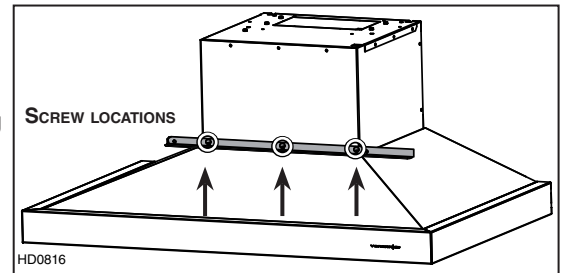
NOTE: Before proceeding to the installation, check the contents of the box. If items are missing or damaged, contact the manufacturer. Make sure that the following items are included:

- Hood
- Accessories
  - Decorative flue assembly (lower and upper flues)
  - Hood mounting bracket
  - Upper flue mounting bracket
  - 2 micromesh filters (for model VCS500)
  - 2 hybrid filters (for model VCS550)
  - 6" round adapter/damper (for vertical discharge), in a bag
  - 3¼" x 10" adapter/damper (for horizontal or vertical discharge)
  - Suction cup (taped to one of the GU10 halogen bulbs) (for model VCS500)
  - Bag of parts including: 5 no. 8 x 1½" countersunk screws, 8 no. 8 x ¾" screws, 6 no. 8 x ⅜" screws, 6 drywall anchors, 3 washers, 2 no. 8 x 1/2", 2 neoprene pieces. If need be, discard extra hardware.

Parts sold separately:

- Duct, elbows, wall or roof caps.
- Optional flue extensions for 10-ft. ceilings models no. 63680 (Stainless steel) or 63685 (Black stainless steel).

Before installation, remove and discard the shipping bracket (in grey) and its retaining screws. See illustration on the right.



# 2. SELECT INSTALLATION TYPE

NOTE: During the installation, protect countertop and/or cooktop.

Plan where and how the ductwork will be installed.

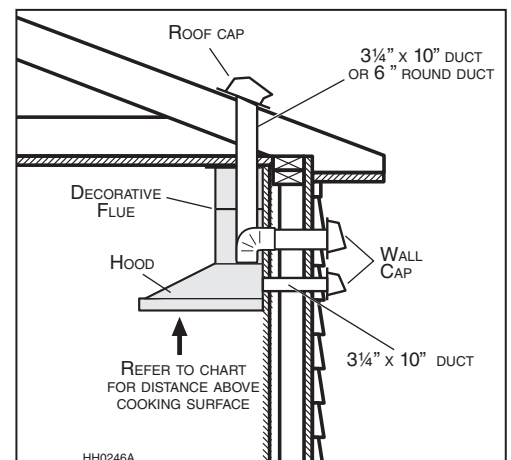
Install proper-sized ductwork, elbows and roof or wall cap depending on the type of installation. For vertical discharge, use 6" round or 3¼" x 10" ductwork and for horizontal discharge use 3¼" x 10" ductwork only. Use metal foil duct tape to seal duct joints.

**The minimum hood distance above cooktop is 24" (30" over a gas range). A maximum of 30" above cooktop is recommended for best capture of cooking impurities.**

Distances over 30" are at the installer and users discretion providing that ceiling height and decorative flue length allow it.

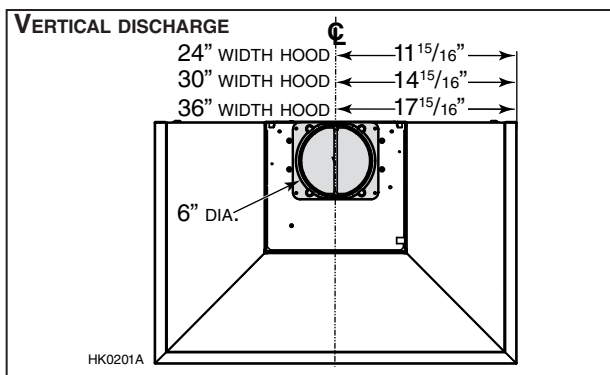
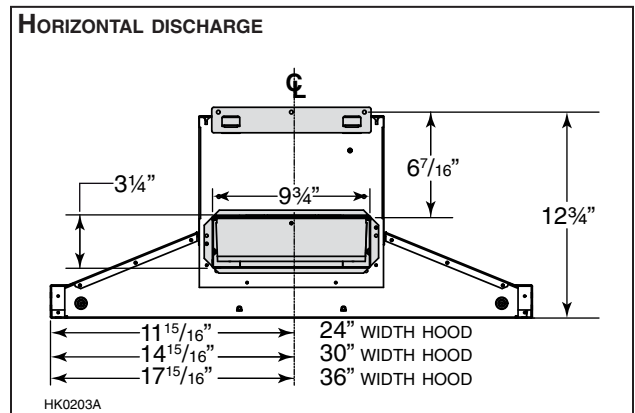
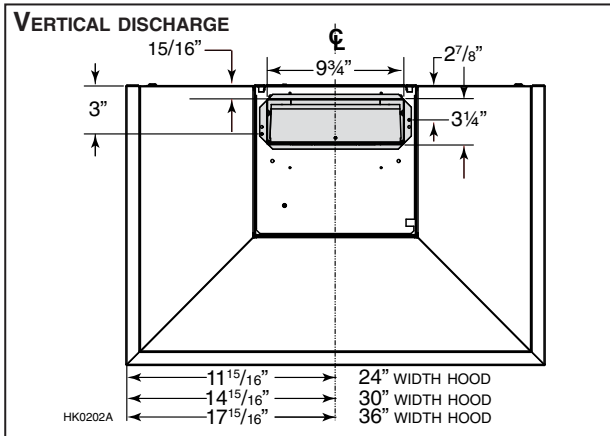
CEILING HEIGHT	MINIMUM HOOD DISTANCE ABOVE ELECTRIC RANGE COOKTOP	MINIMUM HOOD DISTANCE ABOVE GAS RANGE COOKTOP
8 FT.	24 IN.	30 IN.
9 FT.	28½ IN.	30 IN.
10 FT.*	28½ IN.	30 IN.

\* 10-ft. ceilings require flue extension model no. 63680 (Stainless steel) or 63685 (Black stainless steel) (sold separately).



## 2. SELECT INSTALLATION TYPE (CONT'D)

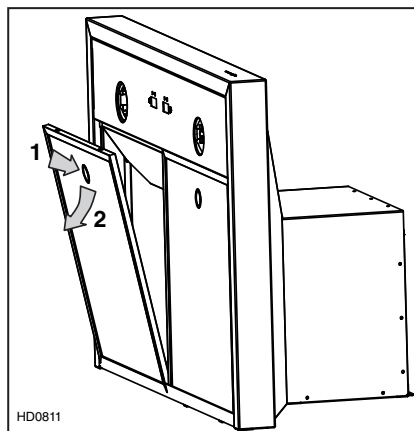
Refer to illustrations below to locate duct opening according to discharge type chosen (grey parts to be installed later).



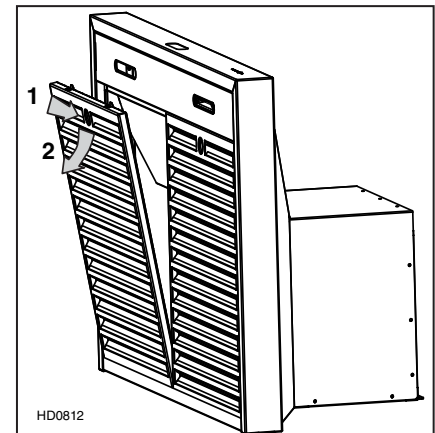
## 3. REMOVE GREASE FILTERS

Rest the range hood on a table. Remove tapes on filters. Remove filters from range hood by pushing them down and tilt, then set aside the filters. Remove both styrofoam pieces and tape from under the blower and discard.

VCS500



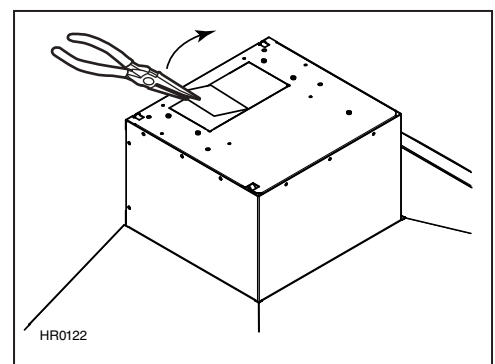
VCS550



## 4. CHOOSE THE OPENING

### FOR VERTICAL DISCHARGE:

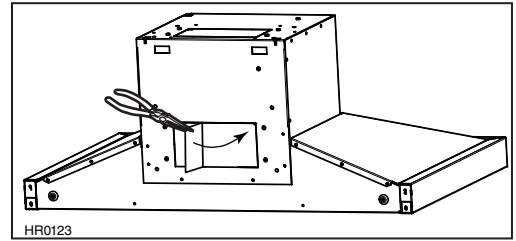
Remove the knockout in order to clear vertical discharge opening (see illustration beside).



## 4. CHOOSE THE OPENING (CONT'D)

### FOR HORIZONTAL DISCHARGE:

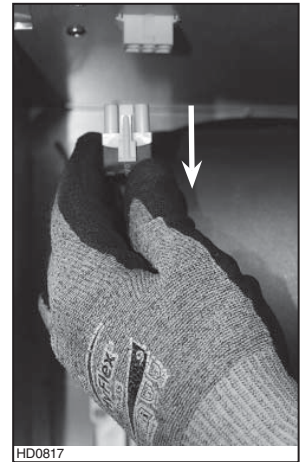
From outside the unit, remove the knockout from back of hood (see illustration beside).



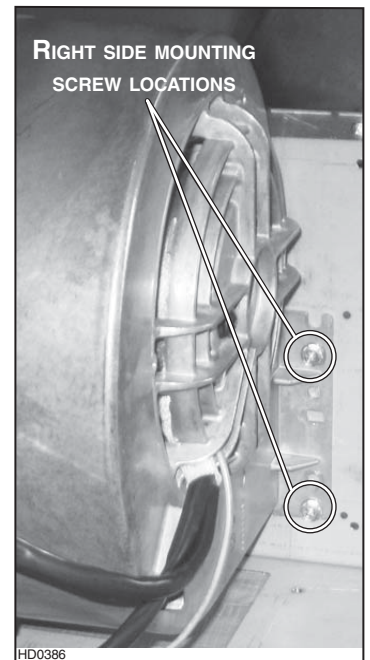
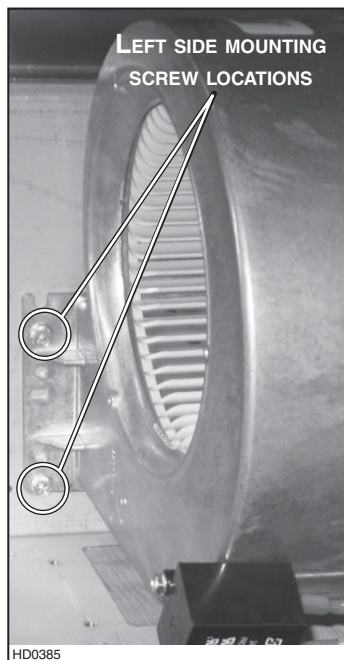
## 5. BLOWER REMOVAL (HORIZONTAL DISCHARGE ONLY)

The VCS500 and VCS550 Series range hoods are factory shipped with the blower mounted for a vertical discharge configuration. For a horizontal discharge configuration, disassemble the blower from the inner top of the hood (see procedure below). It will be assembled to the inner back of the hood once the hood is mounted on the wall.

- 1) Unplug the blower.

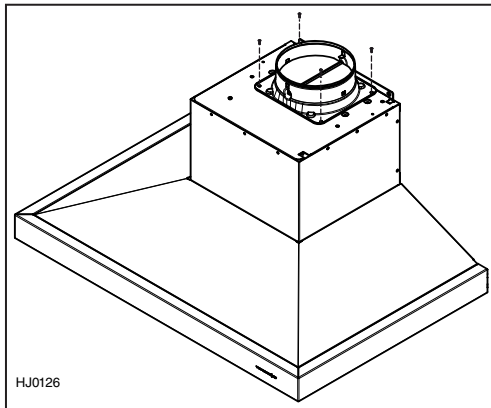


- 2) Using a 5/16" socket, or a Robertson or a Phillips no. 2 screwdriver, remove the 4 blower mounting screws (2 on each side) from the inner top of the hood. Set the blower and screws aside.

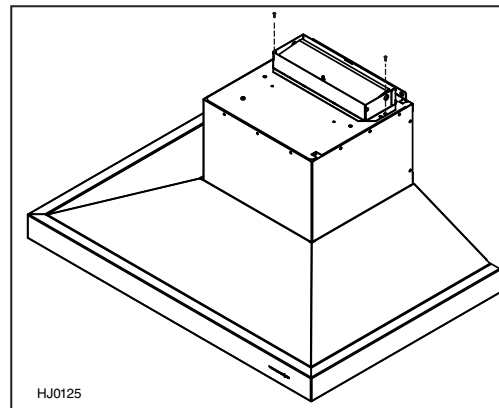


## 6. INSTALL ADAPTER/DAMPER (6" ROUND OR 3 1/4" X 10")

VERTICAL DISCHARGE 6" ROUND



VERTICAL DISCHARGE 3 1/4" x 10"

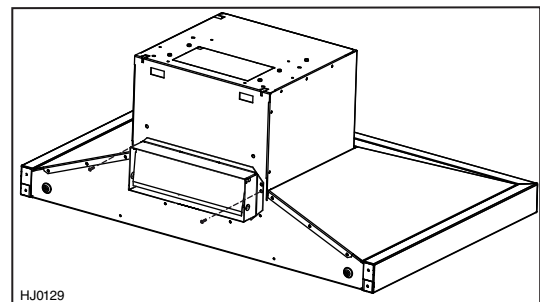


Mount the 6" round adapter/damper (included in bag) using 4 no. 8 x 3/8" screws (included) or the 3 1/4" x 10" adapter/damper to the hood using 2 no. 8 x 3/8" screws (included). Seal the adapter/damper to the hood using metal foil duct tape.

Secure the adapter/damper to the back of the hood using 2 no. 8 x 3/8" screws (included). Seal the adapter/damper to the hood using metal foil duct tape.

NOTE: The wall ducting must be properly prepared to receive the adapter. Before performing the installation, make sure the adapter fits easily in the duct.

HORIZONTAL DISCHARGE 3 1/4" x 10" ONLY



## 7. WIRING INSTALLATION

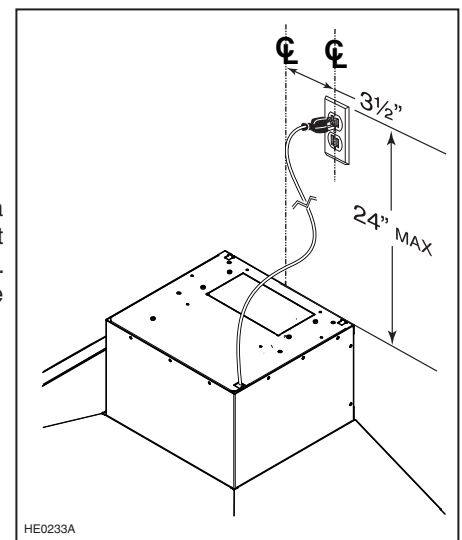
### ⚠ WARNING

Improper grounding can result in a risk of electric shock. Consult a qualified electrician if the grounding instructions are not completely understood, or if there is any doubt as to whether the appliance is properly grounded. Do not use an extension cord. If the power supply cord is too short, have a qualified electrician install an outlet near the appliance, in accordance with all applicable codes and standards. Turn off electrical power at service entrance before wiring.

### GROUNDING INSTRUCTIONS

This appliance must be grounded. In the event of an electrical short circuit, grounding reduces the risk of electric shock by providing an escape wire for the electric current. This appliance is equipped with a cord having a grounding wire with a grounding plug. The plug must be plugged into an outlet that is properly installed and grounded.

Position the outlet within the space covered by the decorative flue. Place the outlet at a maximum distance of 24" (from where the cord exits from the hood). The center of the outlet must be positioned at 3 1/2" from the center of the future hood location (as illustrated beside). Make sure this does not interfere with a mounting bracket fastening area or with the decorative flue (where the flue touches the wall).



## 8. INSTALL HOOD MOUNTING BRACKET

### **⚠ WARNING**

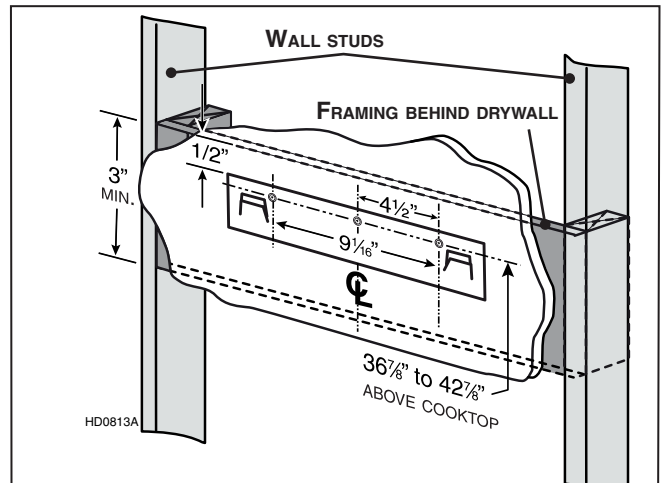
**When cutting or drilling into wall, do not damage electrical wiring and other hidden utilities.**

Construct wood wall framing that is even with the surface of wall studs. Wood wall framing must be at least 1/2" thick and 3" high. Fasten wood wall framing to wall studs for a solid installation.

Make sure that the height of the framing will allow the mounting bracket to be secured to the framing within the dimensions shown (see illustration beside).

After wall surface is finished, carefully center and level the hood mounting bracket over installation location. Secure it to wall framing using 3 no. 8 x 1 1/2" screws.

Using a level, draw a vertical line up to the ceiling starting from the mounting bracket center.



**36<sup>7</sup>/<sub>8</sub>" = BOTTOM OF HOOD 24" ABOVE COOKTOP**  
**42<sup>7</sup>/<sub>8</sub>" = BOTTOM OF HOOD 30" ABOVE COOKTOP**

## 9. INSTALL UPPER FLUE MOUNTING BRACKET

Center the upper flue mounting bracket with the center line previously drawn in step 8 and place it flush with the ceiling.

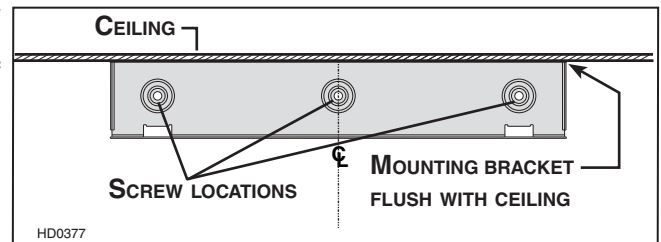
Use the upper flue mounting bracket as a template to mark the position of its screws.

Drill the 3 screw holes using a 3/16" drill bit.

Insert the included drywall anchors into the drilled holes (1 per hole).

Secure the upper flue bracket to the wall using 3 no. 8 x 3/4" screws.

Ensure that the bracket is tight against the wall.



## 10. INSTALL THE HOOD

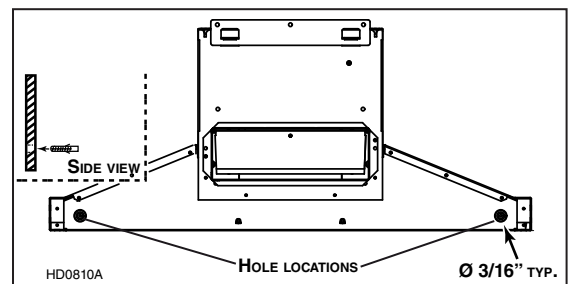
### **⚠ WARNING**

**BE CAREFUL** when installing the decorative flue and hood, they may have sharp edges.

### **CAUTION**

**DO NOT REMOVE** the protective plastic film covering the decorative flue (upper & lower) yet.

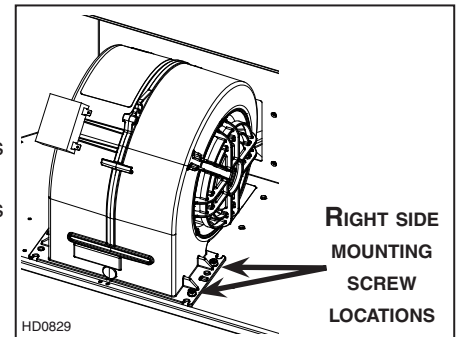
1. Align the hood and center it above the hood mounting bracket. Gently lower the hood until it securely engages the bracket.
2. Level the hood.
3. With the hood hanging in place, mark both hole locations on wall (2 embossed holes on back of hood; see illustration at right).
4. Remove the hood.
5. Drill through both marked holes on wall using a 3/16" drill bit. Insert the included drywall anchors into the drilled holes (one for each hole).
6. Hang the hood to the wall bracket.
7. Secure the hood to the wall using 2 no. 8 x 3/4" screws and 2 washers.



**NOTE:** ILLUSTRATION ABOVE REPRESENTS HORIZONTAL EXHAUST CONFIGURATION, BUT IT ALSO APPLIES TO VERTICAL EXHAUST CONFIGURATION.

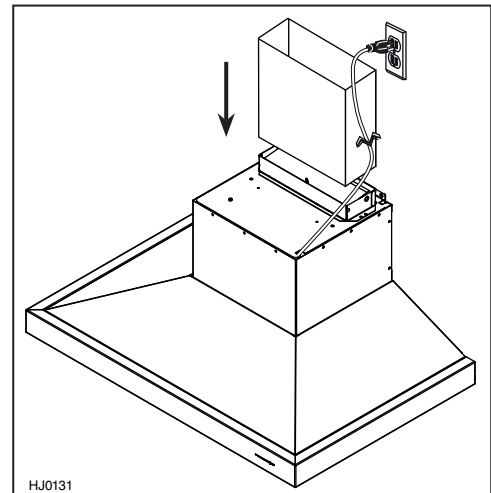
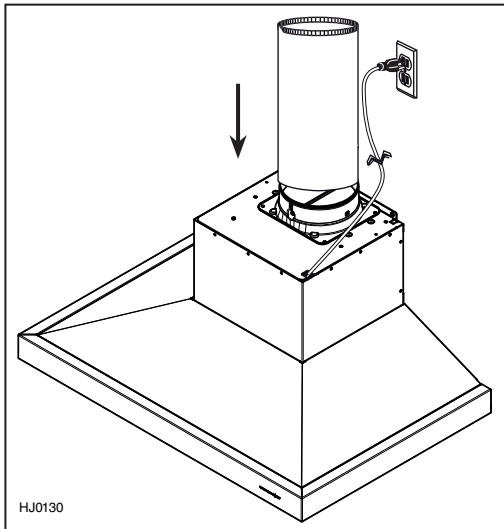
## 11. REINSTALL BLOWER (HORIZONTAL DISCHARGE ONLY)

- 1) Position the blower on the inner back of the hood, as shown on the right.
- 2) Using a 5/16" socket, or a Robertson or a Phillips no. 2 screwdriver and the 4 screws previously removed, secure the blower to the hood.  
NOTE: In order to ease installation, before mounting the blower, prepare the screw holes by screwing in all 4 screws without the blower, then remove and mount the blower.
- 3) Plug the blower connector back in and plug hood power cord into the outlet.



## 12. VERTICAL DISCHARGE DUCT CONNECTION

Plug hood power cord into the outlet. Slide a 6" round or a 3 1/4" x 10" metal duct over the adapter/damper on the hood. Use metal foil duct tape to seal the joint.



## 13. PREPARE DECORATIVE FLUE

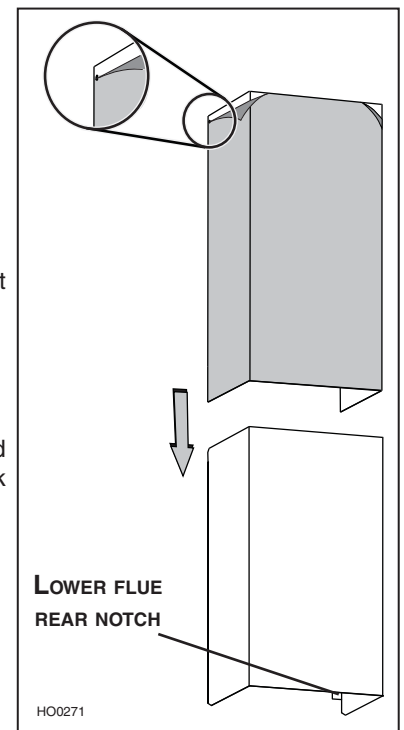
Remove protective plastic film covering the lower flue only.

Peel off both corners at the top of the upper flue (note that upper part has one hole on left and right sides; see image on the right).

Position the lower flue rear notches down.

Gently slide upper flue inside lower flue.

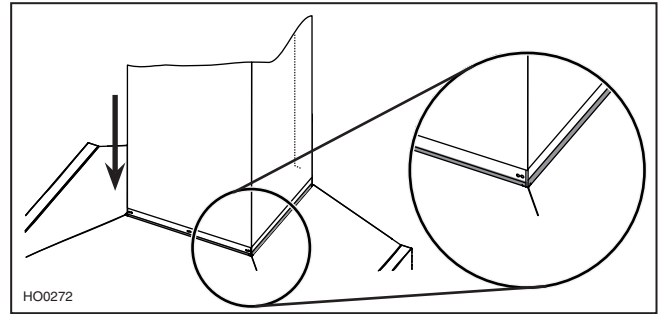
Both lower and upper flues are included with the hood, but for a 10-foot ceiling, discard the provided upper flue and use the optional extension flue, part no. 63680 (Stainless steel) or 63685 (Black stainless steel) (sold separately).





## 14. INSTALL DECORATIVE FLUE

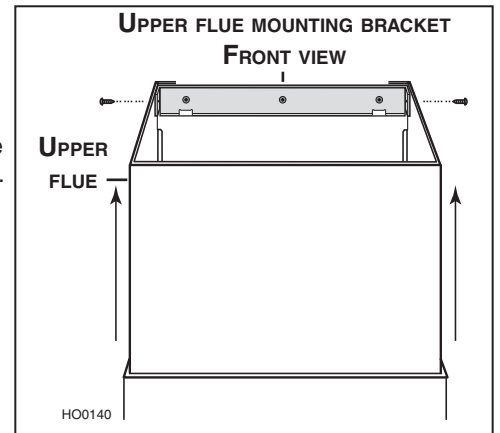
Carefully slide in place decorative flue base (notches end first) in the groove (shaded part in inset at right) behind the exterior wall of the top of the hood.



Slide up the upper flue until it is aligned with its mounting bracket. The bracket must be inside the flue. Secure the upper flue to its bracket using 2 no. 8 x 3/8" screws (included). See illustration beside.

NOTE: Duct not shown in illustration to ease understanding.

Remove protective plastic film covering the upper flue.



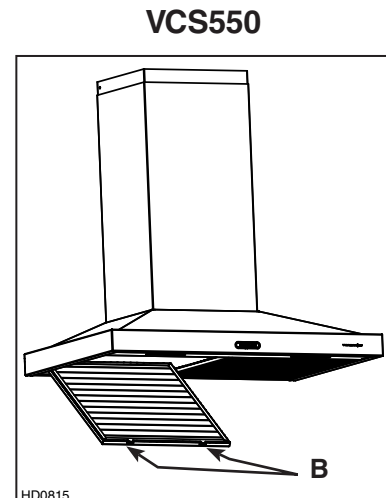
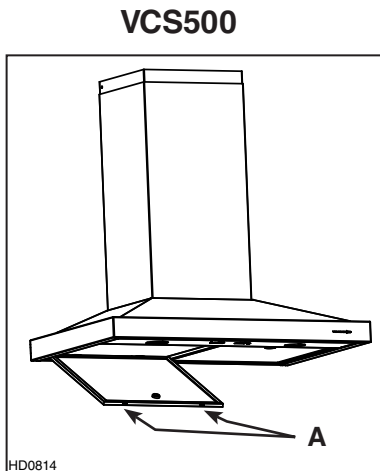
## 15. REINSTALL MICROMESH (VCS500) OR HYBRID FILTERS (VCS550)

### VCS500

Rest filters springs in range hood inside rear groove. Using finger cup, tilt up the filters into position. Make sure both screws located in the front panel edge of the hood are securely engaged in both filters oval holes (**A**) after installation.

### VCS550

Rest rear filters edge on filter springs in the range hood. Using finger cup, tilt up the filters into position. Make sure both tabs (**B**) are securely engaged in range hood front edge slots after installation.



## 16. LIGHTING

### VCS500

The lighting of VCS500 Series range hood is produced by two shielded halogen bulbs (120 V, 50 W, with GU10 base), included.

#### **⚠ WARNING**

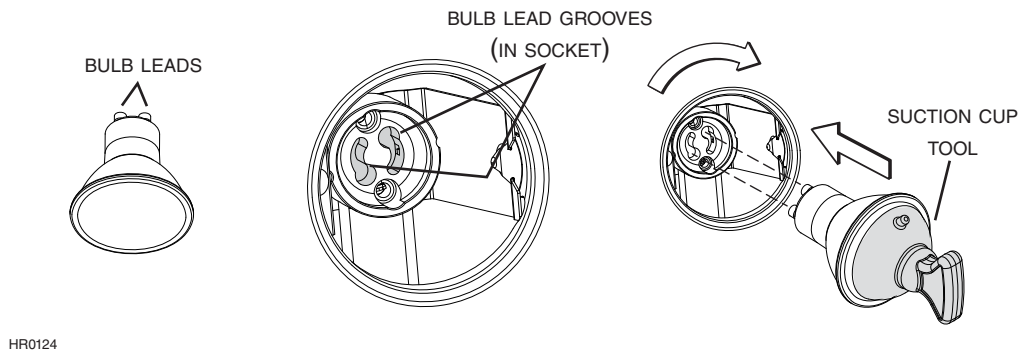
**Do not touch lamps during or soon after operation. Burns may occur. In order to prevent the risk of personal injury, only install shielded halogen lamps. Also, never install a cool beam, a dichroic lamp, a lamp not suitable for use in recessed luminaires or identified for use in enclosed fixtures.**

1. Install the lamps by placing the bulb leads in the socket.
2. Gently push upwards and turn clockwise until secure.

**NOTE:** The suction cup tool (included with hood) can be used to install and remove light bulbs. Press suction cup tool on bulb and rotate counterclockwise to remove bulb or clockwise to install bulbs.

#### **CAUTION**

**Do not use suction cup tool on halogen bulbs during or soon after operation; wait until they are cold to use suction cup tool.**



#### **CAUTION**

**Most GU10 LED replacement bulbs commonly found in the market are not designed for use in a cooking environment and might not perform as advertised. Their usage with this product is not recommended.**

### VCS550

The lighting of VCS550 Series range hood is produced by two LED modules (included).

#### **⚠ WARNING**

**Do not touch lamps during or soon after operation. Burns may occur. Cannot be replaced by any other type of light bulb or LED module.**

## 17. CARE

### ⚠ WARNING

Before servicing or cleaning the unit, switch power off at service panel and lock service panel to prevent power from being switched on accidentally. When the service disconnecting means cannot be locked, securely fasten a prominent warning device, such as a tag, to the service panel.

### Grease Filters

Hybrid and micromesh filters should be cleaned monthly. Remove filters by pushing them towards the back of the hood and flipping them downward. Use a warm phosphate-free dishwashing detergent solution to clean the filters. Let them dry and reinstall them. Discoloration of the filters may occur if using phosphate detergents, or as a result of local water conditions—but this will not affect the filter performance. This discoloration is not covered by the warranty.

### Hood cleaning

Do:	Don't:
<ul style="list-style-type: none"><li>Regularly wash with clean cloth or rag soaked with warm water and mild phosphate-free soap or liquid dish detergent.</li><li>Always clean in the direction of original polish lines.</li><li>Always rinse well with clear water (2 or 3 times) after cleaning. Wipe dry completely.</li><li>You may also use a specialized household stainless steel cleaner</li></ul>	<ul style="list-style-type: none"><li>Use any steel or stainless steel wool or any other scrapers to remove stubborn dirt.</li><li>Use any harsh or abrasive cleansers.</li><li>Allow dirt to accumulate.</li><li>Let plaster dust or any other construction residues reach the hood. During construction/renovation, cover the hood to make sure no dust sticks to stainless steel surface.</li></ul>

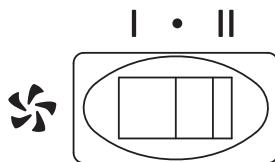
### Avoid when choosing a detergent:

- Any cleaners that contain **bleach** will attack stainless steel.
- Any products containing: **chloride, fluoride, iodide, bromide** will deteriorate surfaces rapidly.
- Any combustible products used for cleaning such as **acetone, alcohol, ether, benzol**, etc., are highly explosive and should never be used close to a range.

## 18. OPERATION

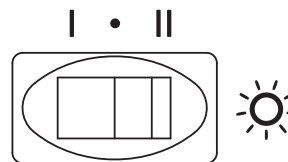
Always turn ON your hood before you begin cooking in order to establish an air flow in the kitchen. Let the blower run for a few minutes to clear the air after you turn off the range. This will help keep the whole kitchen cleaner and fresher.

### VCS500



#### **BLOWER SWITCH**

- I Turns blower on to LOW speed.
- Turns blower OFF.
- II Turns blower on to HIGH speed.



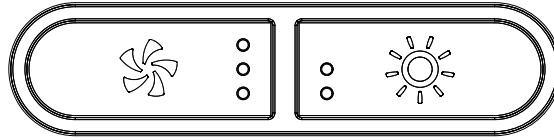
#### **LIGHT SWITCH**

- I Turns light on in LOW intensity.
- Turns light OFF.
- II Turns light on to HIGH intensity.

## 18. OPERATION (CONT'D)

---

### VCS550



#### **BLOWER BUTTON**

When blower is OFF, press this button to turn ON the blower at the last saved speed. If there was no speed saved, the blower will be set on LOW speed.

**NOTE:** When LOW speed is activated from OFF, the blower starts on MEDIUM speed for a very short lapse of time, and then resume to LOW speed.

To change the blower speed, press on this button again until the desired speed is reached (from LOW to MEDIUM to HIGH speed to OFF). Each time a blower speed is activated, a beep is heard and LED indicators light up to show the corresponding speed chosen (lower LED for LOW speed, lower and center LEDs for MEDIUM speed and all LEDs for HIGH speed).

When blower is on (no matter the speed level), press and hold this button until the beep sound ends; this will turn off the blower and save this blower speed to memory.



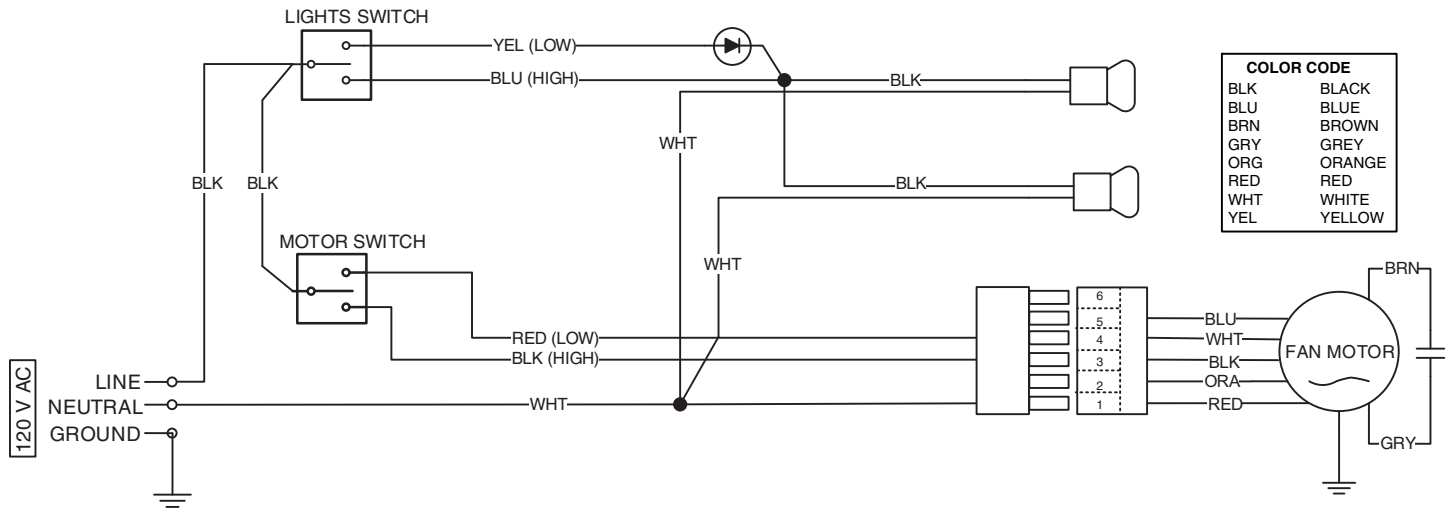
#### **LIGHT BUTTON**

When lights are OFF, press once on this button to turn ON the lights at the last saved setting. If there was no light setting saved, the lights will be set on LOW intensity. Press another time to set the lights on HIGH intensity. Pressing another time after the HIGH setting will turn OFF the lights. Each time the lights are turned ON, a beep is heard and LED indicators light up to show the corresponding intensity chosen (lower LED for LOW and both LEDs for HIGH).

When lights are on (no matter the lighting level), press and hold this button until the beep sound ends; this will turn off the lights and save the chosen light intensity.

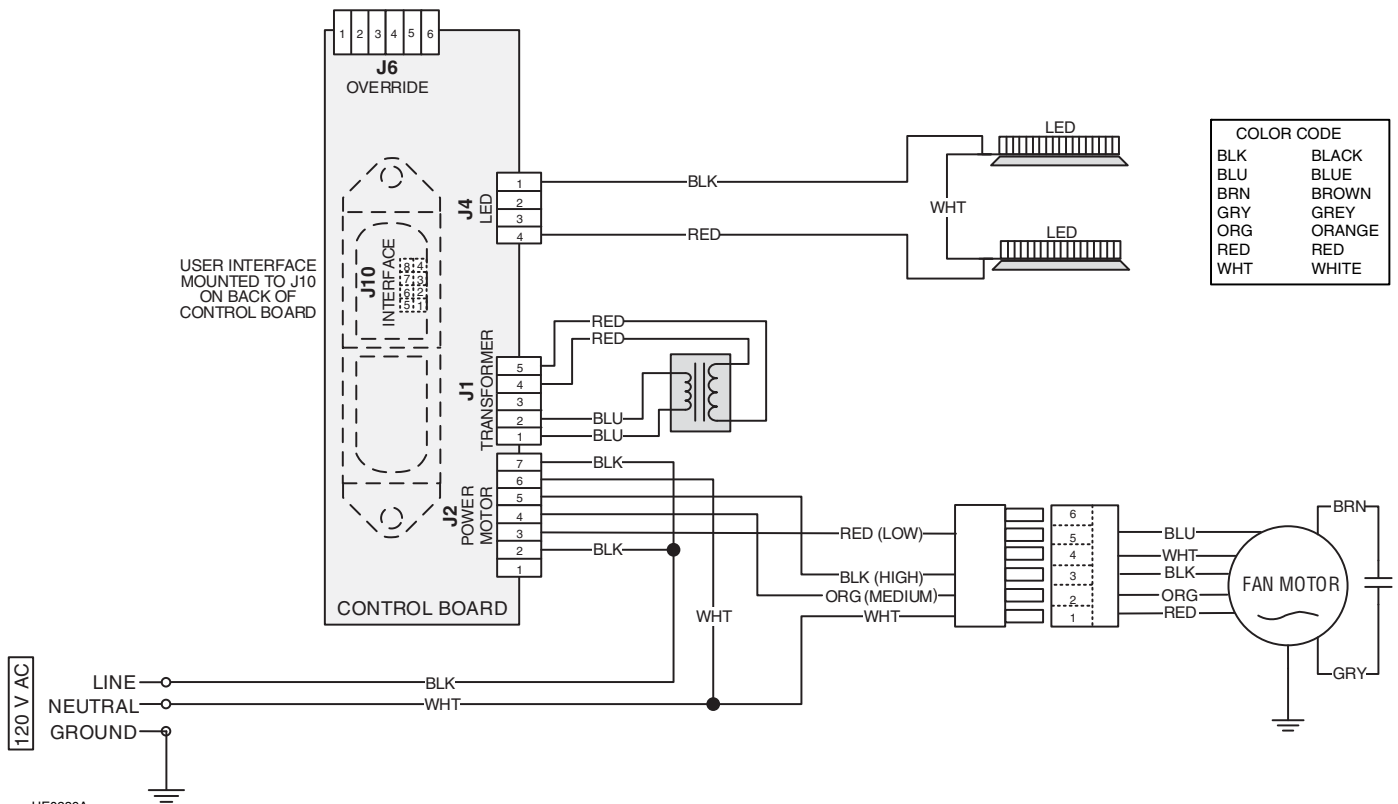
# 19. WIRING DIAGRAMS

## VCS500



HE0257A

## VCS550



HE0236A

## 20. WARRANTY

### WARRANTY

#### VENMAR VENTILATION FIVE-YEAR WARRANTY

Venmar Ventilation ULC warrants to the original consumer purchaser of the Venmar Chef VCS500 and VCS550 Series range hood that such product will be free from defects in materials or workmanship for a period of five (5) years from date of original purchase except for LED modules which is covered for a period of three (3) years. This warranty includes in-home service for the first year and workshop service for the four (4) remaining years.

THERE ARE NO OTHER WARRANTIES, EXPRESS OR IMPLIED, INCLUDING, BUT NOT LIMITED TO, IMPLIED WARRANTIES OF MERCHANTABILITY OR FITNESS FOR A PARTICULAR PURPOSE. VENMAR VENTILATION ULC WILL NOT BE HELD RESPONSIBLE FOR ANY CLAIMS OVER THE ORIGINAL PURCHASE PRICE OF A VENMAR VCS500 AND VCS550 SERIES RANGE HOOD NOR HELD RESPONSIBLE FOR SUBSEQUENT DAMAGE OR INCIDENT.

During the period stated above, Venmar Ventilation ULC will, at its option, repair or replace without charge any product or part which is found to be defective under normal use and service. THIS WARRANTY DOES NOT EXTEND TO ANY LIGHT BULBS AND FILTERS.

This warranty does not cover (a) normal maintenance and service, (b) any products or parts which have been subject to misuse, negligence, accident, improper maintenance or repair made by other than Venmar Ventilation ULC, or c) faulty installation or installation contrary to recommended installation instructions.

Warranty service is to be completed by an authorized Service Center designated by Venmar Ventilation ULC. Where applicable, in-home service will be made available only in areas where a contracted service provider offers service. If in-home service is not available, the product will be repaired or replaced, at Venmar's discretion, by the nearest authorized service provider. The unit removal and reinstallation works are under the customer responsibility, and Venmar cannot be charged for them.

The duration of any implied warranty is limited to the 5-year period as specified for the express warranty. Some provinces do not allow limitation on how long an implied warranty lasts, so the above limitation may not apply to you.

VENMAR VENTILATION ULC'S OBLIGATION TO REPAIR OR REPLACE, AT VENMAR VENTILATION ULC'S OPTION, SHALL BE THE PURCHASER'S SOLE AND EXCLUSIVE REMEDY UNDER THIS WARRANTY. VENMAR VENTILATION ULC SHALL NOT BE LIABLE FOR INCIDENTAL, CONSEQUENTIAL OR SPECIAL DAMAGES ARISING OUT OF OR IN CONNECTION WITH PRODUCT USE OR PERFORMANCE. SOME PROVINCES DO NOT ALLOW THE EXCLUSION OR LIMITATION OF INCIDENTAL OR CONSEQUENTIAL DAMAGES, SO THE ABOVE LIMITATION OR EXCLUSION MAY NOT APPLY TO YOU.

This warranty gives you specific legal rights, and you may also have other rights, which vary from province to another. This warranty supersedes all prior warranties.

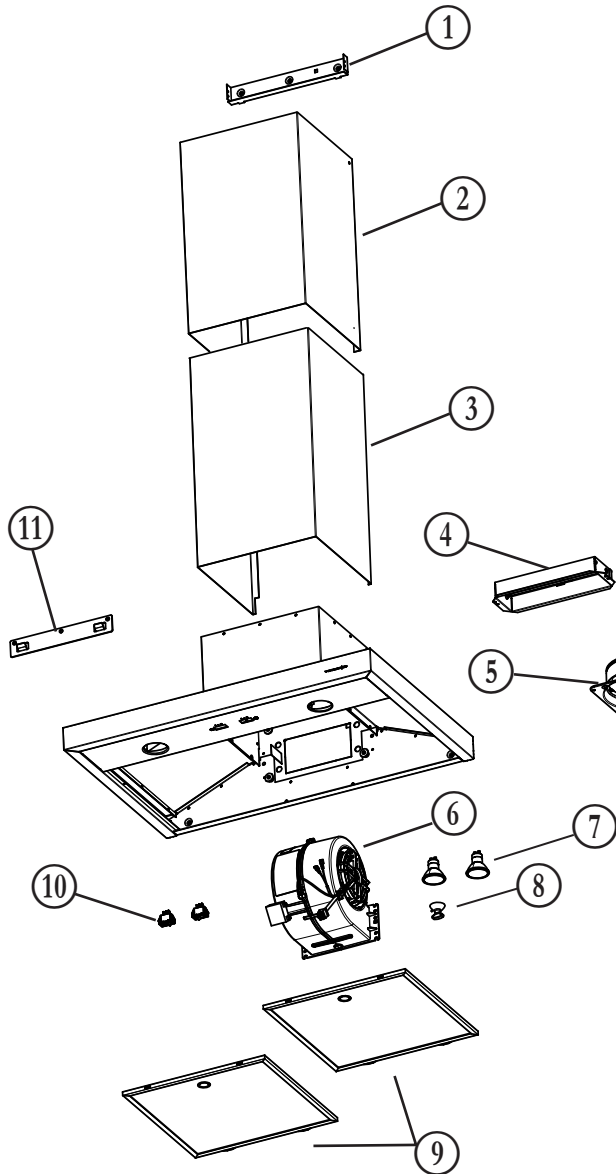
To contact Venmar Ventilation ULC warranty service call 1-800-567-3855 in Canada. In order to qualify for a warranty claim, the owner of a Venmar Chef Series range hood must have the model and serial number along with a proof of the original purchase date. At the time of requesting service, describe the nature of any defect in the product or part.

Venmar Ventilation ULC, 550 Lemire Blvd., Drummondville, QC J2C 7W9 (1-800-567-3855)

[www.venmar.ca](http://www.venmar.ca)

# 21. SERVICE PARTS

## VCS500



ITEM No.	PART No.	DESCRIPTION	QTY. (HOOD WIDTH)		
			24" STAINLESS	30" STAINLESS	36" STAINLESS
1	63673	UPPER FLUE MOUNTING BRACKET	1	1	1
2	SV63663	UPPER DECORATIVE FLUE, STAINLESS	1	1	1
3	SV63662	LOWER DECORATIVE FLUE, STAINLESS	1	1	1
4	13296	3¼" x 10" ADAPTER/DAMPER	1	1	1
5	SV08487	6" ROUND ADAPTER/DAMPER	1	1	1
6	SV08582	INTERNAL BLOWER (INCLUDING CAPACITOR)	1	1	1
7	SV05921	SHIELDED HALOGEN BULBS 120 V, 50 W, GU10 TYPE	2	2	2
8	09983	SUCTION CUP	1	1	1
9	63677	MICROMESH FILTERS (THE PAIR)	1		
	14131	MICROMESH FILTERS (THE PAIR)		1	1
10	63678	ROCKER SWITCH (2)	1	1	1
11	09014	HOOD MOUNTING BRACKET	1	1	1
*	22745	INSTALLATION GUIDE	1	1	1
*	09027	PARTS BAG : 5 NO. 8 x 1½" COUNTERSUNK SCREWS, 8 NO. 8 x 3/4" SCREWS 6 NO. 8 x 3/8" SCREWS 6 DRYWALL ANCHORS, 3 WASHERS, 2 NO. 8 x 1/2" SCREWS 2 NEOPRENE PIECES	1	1	1

\* NOT SHOWN

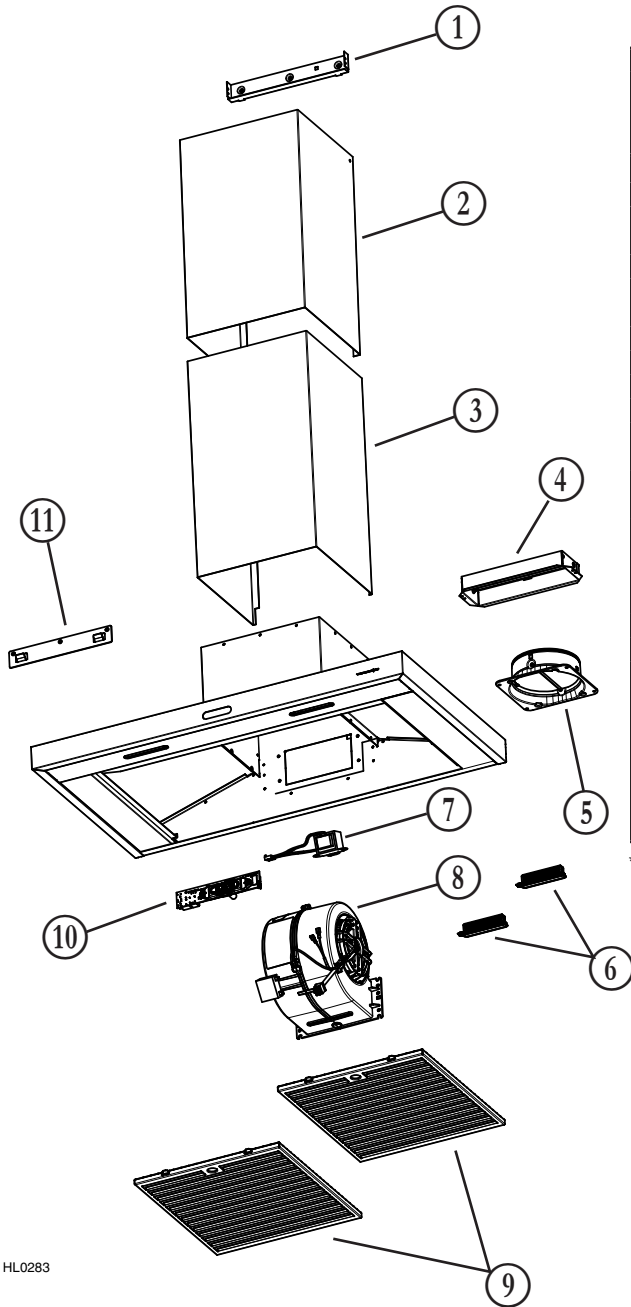
HL0307

### REPLACEMENT PARTS AND REPAIRS

In order to ensure your unit remains in good working condition, you must use Venmar Ventilation ULC genuine replacement parts only. Venmar Ventilation ULC genuine replacement parts are specially designed for each unit and are manufactured to comply with all the applicable certification standards and maintain a high standard of safety. Any third party replacement part used may cause serious damage and drastically reduce the performance level of your unit, which will result in premature failing. Venmar Ventilation ULC recommends to contact a certified service depot for all replacement parts and repairs.

# 21. SERVICE PARTS (CONT'D)

VCS550



ITEM No.	PART No.	DESCRIPTION	QTY. (HOOD WIDTH)			
			30" STAINLESS	36" STAINLESS	30" BLACK STAINLESS	36" BLACK STAINLESS
1	63673	UPPER FLUE MOUNTING BRACKET	1	1	1	1
2	SV63663	UPPER DECORATIVE FLUE, STAINLESS	1	1		
	SV63665	UPPER DECORATIVE FLUE, BLACK STAINLESS			1	1
3	SV63662	LOWER DECORATIVE FLUE, STAINLESS	1	1		
	SV63664	LOWER DECORATIVE FLUE, BLACK STAINLESS			1	1
4	13296	3 1/4" x 10" ADAPTER/DAMPER	1	1	1	1
5	SV08487	6" ROUND ADAPTER/DAMPER	1	1	1	1
6	97020187	LED MODULE (1)	2	2	2	2
7	99271569	TRANSFORMER	1	1	1	1
8	SV08582	INTERNAL BLOWER (INCLUDING CAPACITOR)	1	1	1	1
9	62053	HYBRID FILTER 15.875" x 14" x 0.5" (1)	2	2	2	2
10	63681	CAPACITIVE CONTROL 2 BUTTONS (STAINLESS)	1	1		
	63682	CAPACITIVE CONTROL 2 BUTTONS (BLACK)			1	1
11	09014	HOOD MOUNTING BRACKET	1	1	1	1
*	22745	INSTALLATION GUIDE	1	1	1	1
*	09027	PARTS BAG: 5 NO. 8 x 1 1/2" COUNTERSUNK SCREWS, 8 NO. 8 x 3/4" SCREWS, 6 NO. 8 x 3/8" SCREWS, 6 DRYWALL ANCHORS, 3 WASHERS, 2 NO. 8 x 1/2" SCREWS 2 NEOPRENE PIECES	1	1	1	1

\* NOT SHOWN

HL0283

### REPLACEMENT PARTS AND REPAIRS

In order to ensure your unit remains in good working condition, you must use Venmar Ventilation ULC genuine replacement parts only. Venmar Ventilation ULC genuine replacement parts are specially designed for each unit and are manufactured to comply with all the applicable certification standards and maintain a high standard of safety. Any third party replacement part used may cause serious damage and drastically reduce the performance level of your unit, which will result in premature failing. Venmar Ventilation ULC recommends contacting a certified service depot for all replacement parts and repairs.