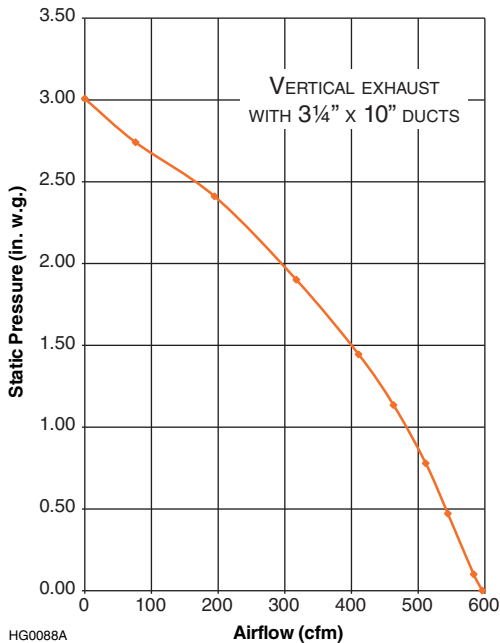


SPECIFICATIONS

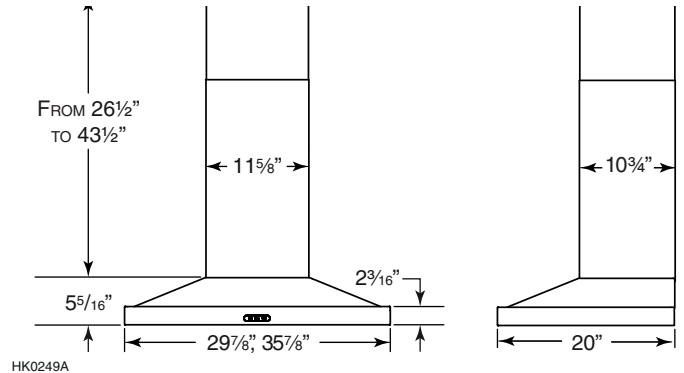
MODEL	VCS550	
VOLTS	120 VCA	
HZ	60	
AMPS	3.9	
CFM (LOW SPEED)	200	
CFM (HIGH SPEED)	550*	
SONES (LOW SPEED)	1.5	
SONES (HIGH SPEED)	11	
DUCTING SIZES	VERTICAL: 6" ROUND OR 3¼" x 10"	HORIZONTAL: 3¼" x 10"
2 LED MODULES	2 x 6,5 WATTS	
WARRANTY	5 YEARS (EXCEPT LED MODULES, 3 YEARS)	

*OPTIONAL AIR FLOW REDUCERS:
(LIMITS THE AIRFLOW OF THE HOOD UNDER 300 CFM)
•ARP6 (WITH 6" ROUND DUCTS)
•ARP310 (WITH 3¼" x 10" DUCTS)

AIR FLOW PERFORMANCE



DIMENSIONS



HK0249A

REQUIREMENTS & STANDARDS

- Complies with CSA C22.2 no. 113 Standard
- Complies with UL 507 requirements
- HVI certified



HVI-2100 CERTIFIED RATINGS comply with new testing technologies and procedures prescribed by the Home Ventilating Institute, for off-the-shelf products, as they are available to consumers. Product performance is rated at 0.1 in. (2.54 mm) static pressure, based on tests conducted in a state-of-the-art test laboratory. Sones are a measure of humanly-perceived loudness, based on laboratory measurements.



RANGE HOOD AIRFLOW HAS BEEN TESTED BY AN INDEPENDANT LABORATORY DESIGNATED BY THE HOME VENTILATING INSTITUTE (HVI). THE MAXIMUM AIRFLOW OF THE BLOWER IS 600 CFM.

www.venmar.ca

Venmar Ventilation ULC, 550 Lemire Blvd., Drummondville, Québec, Canada J2C 7W9 - Tel: 1-800-567-3855 Fax: 1-800-567-1715

PROJECT	REMARKS
LOCATION	
MODEL No.	
QTY.	
SUBMITTED BY	
DATE	