

Café™ 30" Built-In Double Convection Wall Oven

CTD90DP4MW2 / CTD90DP3MD1

CAFÉ

DISTINCT BY DESIGN™



ALSO AVAILABLE IN



CTD90DP3MD1
Matte Black with
Brushed Stainless
handles



FEATURES & BENEFITS

Make crispy flat breads, golden cookies, and tender turkey dinners with **True European Convection with Direct Air** that uses a variable speed fan to circulate heat from the top down.

Check your oven status with just a glance and keep mingling thanks to **notification lighting**.

Control your oven with your Smart phone using **WiFi Connect**.

When you're updating your kitchen, attention to detail is a priority. That's why Café wall ovens are guaranteed for an exact fit for an easy and seamless replacement.

Achieve an even bake, every time, no matter the size with a **ten-pass bake element**.

Achieve an even brown, every time, no matter the size with a **ten-pass dual broil element**.

Easily remove everything from heavy roasts to delicate desserts with **self-clean roller racks** that stay in both ovens during the self-clean cycle.

See your soufflé's rise without opening the door with slowly illuminating **halogen oven lighting**.

APPEARANCE

Oven Door Features	Big View Oven Window; Drop-Down
Handle	Designer Style; Café
Installation	Above Warming Drawer

FEATURES

Configuration	Double Oven
Cooking System	True European Convection with Direct Air (Both Ovens)
Oven Cleaning Type	Self-Clean with Steam Clean Option
Cleaning Time	Variable with Delay Clean Option
Oven Cooking Modes	Convection Bake (Both Ovens); Convection Bake Multi-Rack (Both Ovens); Convection Broil (Both Ovens); Convection Roast (Both Ovens); Crisp Broil (Both Ovens); Thermal Bake (Both Ovens); Thermal Broil (Both Ovens)
Self-Clean Oven Door Lock	Automatic
Control Type	Glass Touch; LED; Notification Lighting
Oven Features	10-Pass Bake Element; 10-Pass Dual Broil Element (Both Ovens); Closed Door Broiling
Oven Rack Features	2 Self-Clean Heavy-Duty Oven Racks (Both Ovens) 2 Self-Clean Roller Racks (1 Upper/1 Lower) 6 Ladder-Rack Positions (Both Ovens)
Oven Control Features	Audible Preheat Signal; Auto Recipe Conversion (Both Ovens); C° or F° Programmable; Certified Sabbath Mode; Control Lock Capability; Cook Time; Delay Time; Digipad Numeric Entry; Electronic Clock & Kitchen Timer; Hi / Low / Crisp Broil (Both Ovens); Mis-Wire Detection; Optional Clock Display; Temperature Probe (Both Ovens); Proof Mode (Both Ovens); Warm Mode (Both Ovens)
WiFi Connect	Built-In
Connected Capabilities	Amazon Alexa; The Google Assistant; IFTTT; Nest; Drop; Innit; DiGiorno
Cooking Technology	Convection
Oven Interior	3 Halogen Interior Oven Lights (Both Ovens); Black Gloss Finish; Hidden Bake (Both Ovens)

CAPACITY

Capacity (Cu. Ft.)	5.0 Upper / 5.0 Lower
--------------------	-----------------------

POWER / RATINGS

Amp Rating at 208V	40
Amp Rating at 240V	40
Bake Wattage	2850W
Broiler Wattage	4300W; Dual Element
Convection Wattage	2400W
KW Rating at 208V	6.8
KW Rating at 240V	9

WEIGHTS & DIMENSIONS

Approximate Shipping Weight	308 lb
Net Weight	284 lb
Overall Height	53 in
Overall Width	29 3/4 in
Overall Depth	27 1/8 in
Cabinet Width	30 in
Cutout Dimensions (w x h x d) (in.)	28-5/8 x 51 15/16 x 23-1/2
Oven Interior Dimensions (lower)	25 x 17-3/8 x 20-1/4
Oven Interior Dimensions (upper)	25 x 17-3/8 x 20-1/4

Café™ 30" Built-In Double Convection Wall Oven

CTD90DP4MW2 / CTD90DP3MD1

CAFÉ

DISTINCT BY DESIGN™

WARRANTY

Parts warranty	Limited 1-year entire appliance
Labor warranty	Limited 1-year entire appliance
Warranty notes	See written warranty for full details

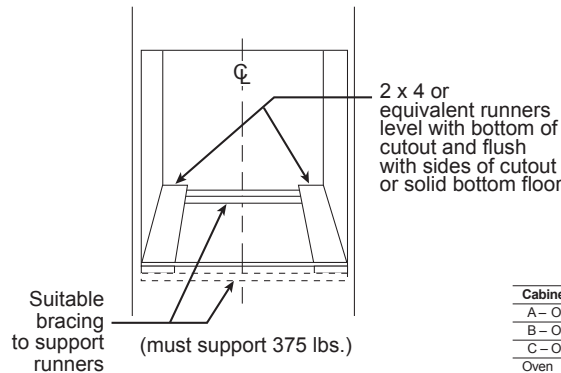
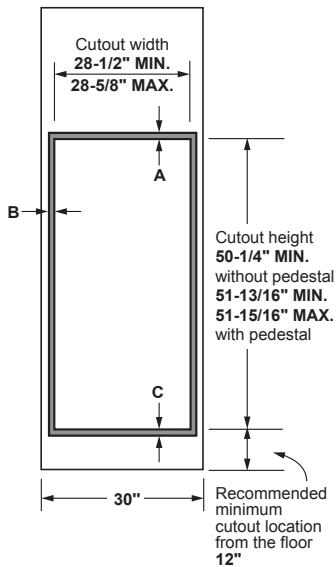
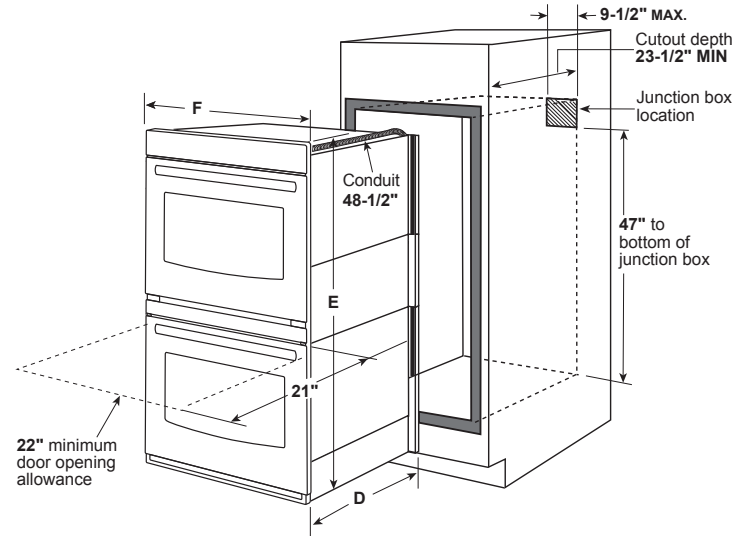
DIMENSIONS AND INSTALLATION INFORMATION

Note: Cabinets installed adjacent to wall ovens must have an adhesion spec of at least a 194°F temperature rating.

Door handle protrudes 2-1/2" from door face. Cabinets and drawers on adjacent 45° and 90° walls should be placed to avoid interference with the handle.

Electric wall ovens are not approved for installation with a plug and receptacle. They must be hard wired in accordance with installation instructions.

Installation Information: Before installing, consult installation instructions packed with product for current dimensional data.

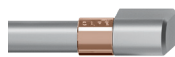


CT9550	
Cabinet	30"
A – Overlap of oven at top of cutout	1"
B – Overlap of oven over side of edges of cutout	3/4"
C – Overlap of oven at bottom of cutout	1-1/4"
Oven	
D – Install depth	23-1/2"
E – Overall height with trim	53"
F – Overall width	29-3/4"

ADDITIONAL ACCESSORIES



CXWD0H0PMBZ
Brushed Bronze
2 handles
(Standard on Matte White)



CXWD0H0PMSS
Brushed Stainless
2 handles
(Standard on Matte Black)



CXWD0H0PMBT
Brushed Black
2 handles



CXWD0H0PMC
Brushed Copper
2 handles