

Café Professional Series 30" Smart Built-In Convection Double Wall Oven

CTD90DP2NS1 / CTD90DP3ND1 / CTD90DP4NW2

CAFÉ

DISTINCT BY DESIGN™



ALSO AVAILABLE IN



CTD90DP3ND1
Matte Black with
Brushed Stainless
handles



CTD90DP4NW2
Matte White with
Brushed Bronze
handle



FEATURES & BENEFITS

Monitor your food from your smart device thanks to a heat-resistant **in-oven camera**, which syncs to the SmarHq app.

Make homemade chips, spices and dehydrated fruits more easily than ever with a **moisture-removing setting** in your oven.

A **soft-close oven door** reduces noise and eliminates slams, for a more peaceful environment in the kitchen.

Simplify the cooking process with **precision cooking modes** that automatically track progress, and make time and temperature adjustments.

Easily navigate wall oven settings thanks to a 7" touchscreen display.

This oven features **True European Convection**, an advanced convection system that uses a third heating element and reversing fan for the highest level of heat and air circulation.

Get a custom look in the kitchen by selecting your favorite hardware and finish combination. Choose from Matte White, Matte Black and Stainless Steel finishes, and Brushed Copper, Brushed Bronze, Brushed Black and Brushed Stainless hardware.

Eliminate the need for preheating and save time with a variety of **precision cooking modes**.

Integrated **hot air frying** technology gives you crispy results in your oven without using oil.

This smart oven features **built-in WiFi** so you can control oven functions with the SmarHq app on your smart device.

This **smooth-gliding oven rack** can be left in the oven during the self-clean cycle so you never have to scrub.

This oven will fit your existing cut-out, or GE Appliances will help pay for modifications up to \$300.

APPEARANCE

Handle	Brushed Stainless; Café Pro Style; Customizable
Installation	Above Warming Drawer ; Side-by-Side

FEATURES

Configuration	Double Oven
Cooking System	True European Convection with Direct Air (Both Ovens)
Oven Cleaning Type	Self-Clean with Steam Clean Option
Cleaning Time	Variable with Delay Clean Option
Oven Cooking Modes	Convection Bake; Convection Bake Multi-Rack; Convection Broil Hi/Lo; Convection Roast; Hot-Air Frying; Precision Cooking Modes; Thermal Bake; Thermal Broil Hi/Lo
Self-Clean Oven Door Lock	Automatic
Control Type	7" Full-Color Touch LCD Screen
Oven Features	10-Pass Bake Element; 10-Pass Dual Broil Element; Closed Door Broiling
Oven Rack Features	2 Self-Clean Roller Racks (Both Ovens); 6 Embossed Rack Positions (Both Ovens)
Oven Control Features	12-Hour Shut-Off Capability; Audible Preheat Signal; Auto Recipe Conversion; Certified Sabbath Mode; Control Lock Capability; Cook Time; C° or F° Programmable; Dehydration; Delay Time; Electronic Clock & Kitchen Timer; Mis-Wire Detection; Oven Camera; Proof Mode; Remote Enabled; Scan-to-cook; Temperature Probe; Warm Mode
WiFi Connect	Built-In
Connected Capabilities	Amazon Alexa; The Google Assistant; IFTTT; Nest; Drop; Innit
Cooking Technology	Convection
Oven Interior	2 Halogen Interior Oven Lights (Both Ovens); Black Gloss Finish; Hidden Bake

CAPACITY

Capacity (Cu. Ft.)	5.0 Upper / 5.0 Lower
--------------------	-----------------------

POWER / RATINGS

Amp Rating at 208V	40
Amp Rating at 240V	40
Bake Wattage	2,850W
Broiler Wattage	3,300 / 1,000W
Convection Wattage	2,400W
KW Rating at 208V	6.8
KW Rating at 240V	9

WEIGHTS & DIMENSIONS

Approximate Shipping Weight	278 lb
Net Weight	260 lb
Overall Height	53 in
Overall Width	29 3/4 in
Overall Depth	26 3/4 in
Cabinet Width	30 in
Cutout Dimensions (w x h x d) (in.)	28-1/2 x 51-13/16 x 23-1/2
Oven Interior Dimensions (lower)	25 x 17-3/8 x 20-1/4
Oven Interior Dimensions (upper)	25 x 17-3/8 x 20-1/4

Café Professional Series 30" Smart Built-In Convection Double Wall Oven

CTD90DP2NS1 / CTD90DP3ND1 / CTD90DP4NW2

CAFÉ

DISTINCT BY DESIGN™

WARRANTY

Parts warranty	Limited 1-year entire appliance
Labor warranty	Limited 1-year entire appliance
Warranty notes	See written warranty for full details

DIMENSIONS AND INSTALLATION INFORMATION

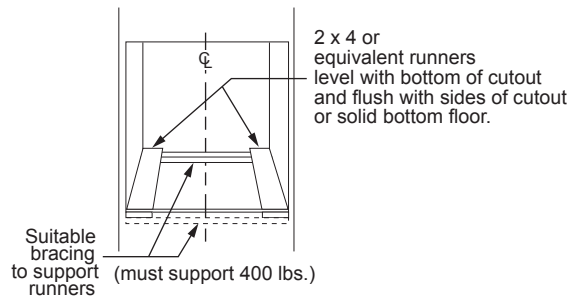
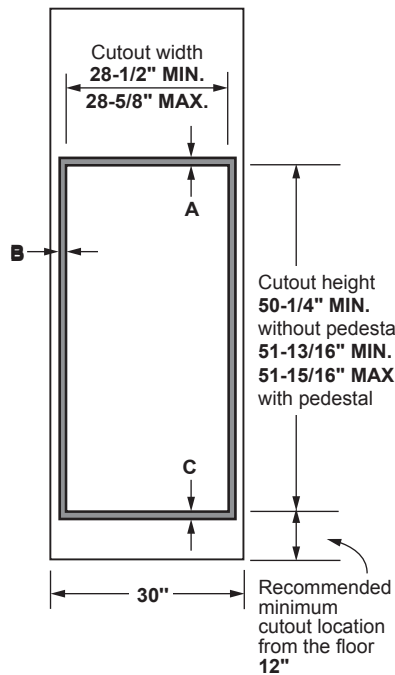
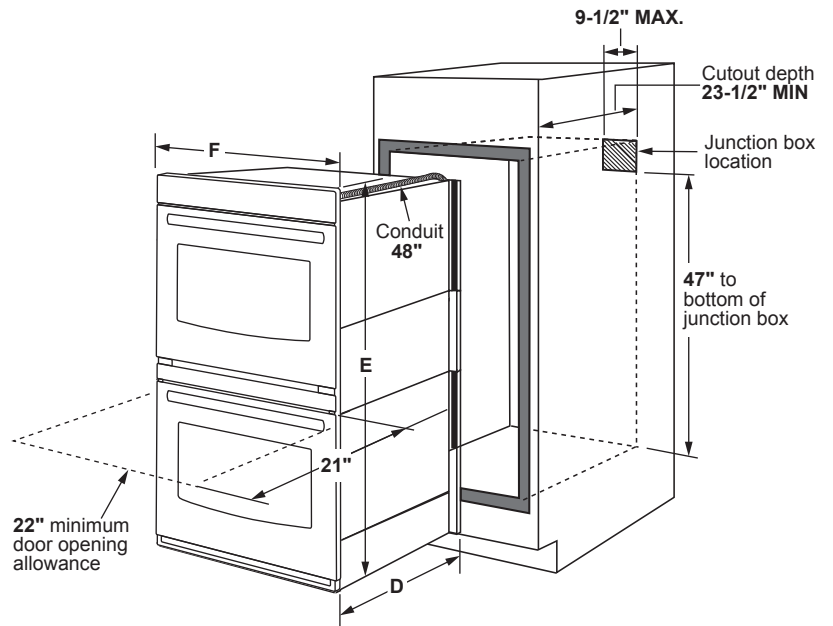
Wall coverings, countertops and cabinets surrounding the wall oven must be able to withstand a temperature of up to 200°F (94°C).

If the cabinet in which the wall oven is installed does not have a solid bottom, two braces or runners must be installed to support the weight of the oven. The runners and braces must support up to 400 lbs (181 kg).

Door handle protrudes 3" from door face. Cabinets and drawers on adjacent 45° and 90° walls should be placed to avoid interference with the handle.

ATTENTION INSTALLER: Electric wall ovens are NOT approved for installation with a plug and receptacle. They must be hard wired into an approved junction box.

IMPORTANT: Before installing, consult installation instructions packed with product for current dimensional data.



Cabinet	30"
A - Overlap of oven at top of cutout	1"
B - Overlap of oven other side of edge of cutout	3/4"
C - Overlap of oven at bottom of cutout	1-1/4"
Oven	
D - Install depth	23-1/2"
E - Overall height with trim	53"
F - Overall width	29-3/4"

Dimension and installation information are shown in inches.

Café Professional Series 30" Smart Built-In Convection Double Wall Oven

CTD90DP2NS1 / CTD90DP3ND1 / CTD90DP4NW2

CAFÉ

DISTINCT BY DESIGN™

DIMENSIONS AND INSTALLATION INFORMATION

30" Double electric wall ovens are approved for installation above 27" and 30" warming drawers.

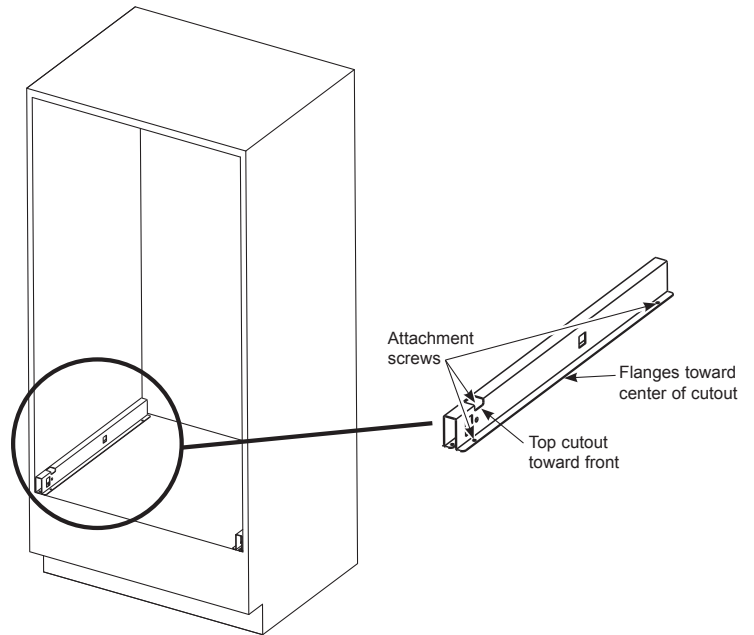
WHEN TO USE THE PEDESTAL RAILS: When replacing an older GE Appliances 30" double wall oven with a new GE Appliances model. Cutout Height = 51-13/16" to 51-15/16". This is our traditional cutout height.

WHEN NOT TO USE THE PEDESTAL RAILS: When replacing a 30" double wall oven from another manufacturer (ie; Whirlpool) with a new GE Appliances model. Cutout height = 50-1/4". You will need to verify that the existing cutout matches the 50-1/4" dimension.

If the new GE Appliances 30" double wall oven is being installed into new construction (ie; not a replacement), then the recommended installation is to use the pedestal rails.

ATTENTION INSTALLER: Electric wall ovens are NOT approved for installation with a plug and receptacle. They must be hard wired into an approved junction box.

IMPORTANT: Before installing, consult installation instructions packed with ALL products for current dimensional and combination data.

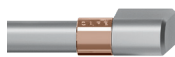


Dimension and installation information are shown in inches.

ADDITIONAL ACCESSORIES



CXWD0H0PMBZ
Brushed Bronze
2 handles
(Standard on Matte White)



CXWD0H0PMSS
Brushed Stainless
2 handles
(Standard on Matte Black)



CXWD0H0PMBT
Brushed Black
2 handles



CXWD0H0PMCU
Brushed Copper
2 handles