

Café™ 36" Built-In Knob Control Electric Cooktop

CEP70363MS2 / CEP70362MS1

C A F É



ALSO AVAILABLE IN CEP70362MS1
Stainless Steel with Brushed Stainless knobs

FEATURES & BENEFITS

Keep your kitchen looking sleek and running efficiently with a **glass surface** that delivers rapid, even heat.

Tailor your burner size to your cookware with a **12"9"/6"** burner with Power Boil.

Take your design to the next level with **white LED backlit knob lighting with beveled edge black glass surface**.

When you're updating your kitchen, attention to detail is a priority. That's why Café cooktops are guaranteed for an exact fit for an easy and seamless replacement.

Tailor your burner size to your cookware with an **9"7"/5"** element that's powerful enough to boil water quickly.

Evenly heat large cookware like griddles or dutch ovens by controlling **two 7" synchronized elements** with just the touch of a button.

Serve every dish at the perfect temperature thanks to a **keep warm setting** on a fully-functional 6" element.

Melt butter without browning it using the **melt setting**.

Prevent unintended burner activation with **control lock capability**.

Keep your kitchen accident-free with a **hot surface indicator light** that shows you with a glance when elements are too hot to touch.

APPEARANCE

Frameless	Yes
-----------	-----

FEATURES

Cooktop Surface	Black Ceramic Glass with Beveled Edge
Cooktop Burner Type	5 Ribbon Smoothtop
Element - Left Front	7" 1500W
Element - Left Rear	7" 1500W
Element - Right Front	9"7"/5" 3000W Power Boil
Element - Right Rear	6" 1200W
Element - Center	12"9"/6" 3600W Power Boil
Control Location	Front Center
Control Type	Knob (Infinite switch)
Cooktop Control Features	Control Lock Capability Keep-Warm Setting Melt Setting Sync-Burners Capability
Dishwasher Safe Knobs	Yes
Melt Setting	Yes
Indicator Lights	5 Hot Surface Surface Element "ON" Blue/Red

WEIGHTS & DIMENSIONS

Approximate Shipping Weight	55 lb
Cabinet Width	36 in
Cooktop Size	36 in
Cutout Dimensions (Width x Depth) (In.)	33-7/8 x 19-1/8
Net Weight	48 lb
Overall Depth	20 3/8 in
Overall Height	5 9/16 in
Overall Width	36 in

POWER/RATINGS

Max. Connected Load (kW) at 208V	8.1
Max. Connected Load (kW) at 240V	10.8
Max. Current Draw (Amps) at 208V	39.0
Max. Current Draw (Amps) at 240V	45.0
Recommended Circuit Breaker (Amps) at 208V	40
Recommended Circuit Breaker (Amps) at 240V	40

ACCESSORIES

Griddle	Optional
---------	----------

Café™ 36" Built-In Knob Control Electric Cooktop



CEP70363MS2 / CEP70362MS1

WARRANTY

Parts warranty	Limited 1-year entire appliance
Labor warranty	Limited 1-year entire appliance
Warranty notes	See written warranty for full details

DIMENSIONS AND INSTALLATION

Important: Requires a 5" free area between the bottom of the cooktop to any combustible material, i.e., shelving. Free area not required when installing wall oven underneath cooktop. Refer to installation instructions. Requires a 15" minimum from cooktop to adjacent overhead cabinets. Units are furnished with a 48" flexible armored cable.

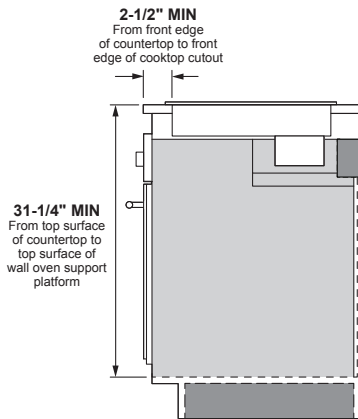
Note: 36" Ribbon cooktops are approved for use over select GE 30" Single Wall Ovens and Warming Drawers. Refer to cooktop and wall oven/warming drawer installation instructions packed with product for current dimensional data. If installed with a GE Telescopic Downdraft System, consult both the cooktop and downdraft installation instructions packed with product before installing. Cooktop gas/electric supply may need to be re-routed to install downdraft. The cooktop cutout requires 23-1/2" minimum flat countertop surface and 25" minimum total countertop depth. In addition, other clearances to front edge of the countertop must be considered.

Before installing, consult installation instructions packed with product for - current dimensional data.

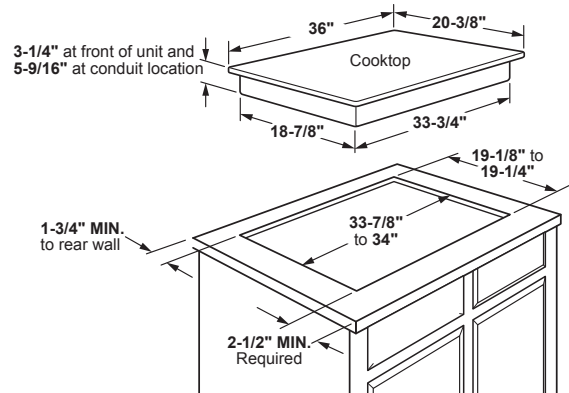
Voltage (60HZ AC)	240V	208V
Connected load (max.)	10.8Kw	8.1Kw
Current draw (max.)	45.0 Amps	39.0 Amps
Recommended circuit breaker*	50 Amps	40 Amps

Note: Check local codes for required breaker size.

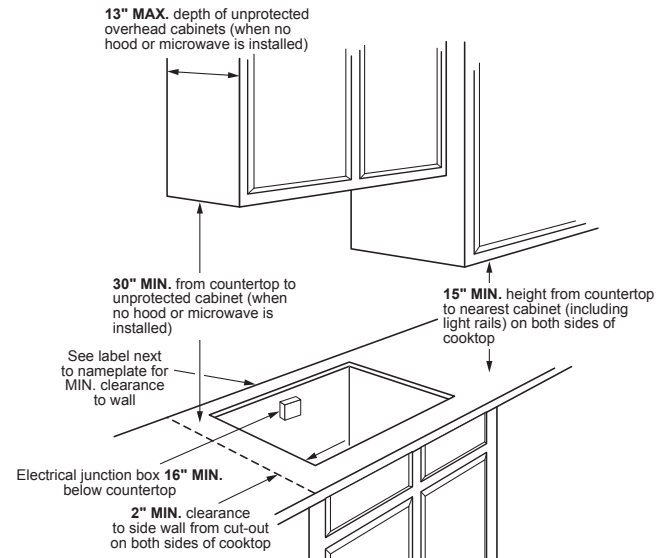
Installation above a wall oven



Approximate Cooking Dimensions



To insure accuracy, it is best to make a template when cutting the opening in the counter



ADDITIONAL ACCESSORIES



CXCE1HKPMBZ
Brushed Bronze
Knobs



CXCE1HKPMSS
Stainless Steel
Knobs



CXCE1HKPMBT
Brushed Black
Knobs



CXCE1HKPMCU
Brushed Copper
Knobs