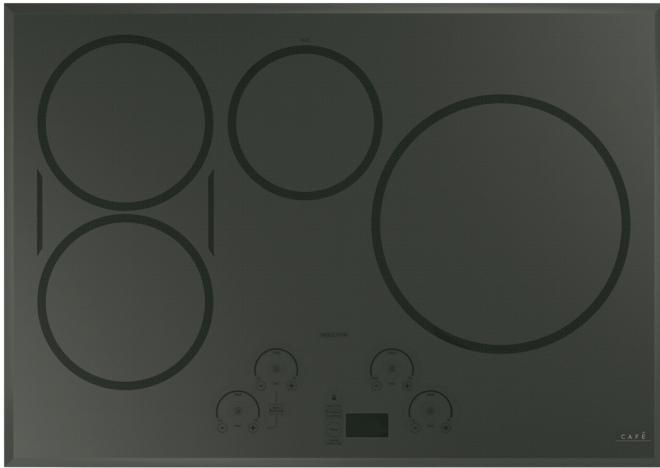


# Café™ 30" Built-In Touch Control Induction Cooktop

CHP95302MSS

# CAFÉ

DISTINCT BY DESIGN™



## FEATURES & BENEFITS

Gourmet results without any guesswork - Take culinary skills to the next level with Gourmet Guided Cooking, which combines video-guided recipes from chefs with a system that automatically adjusts the time, temperature and cooking pace for perfect results

Precise temperature control for reliably amazing results - Maintain a set temperature within one degree, thanks to a precise Control Mode that makes temperature-sensitive cooking methods simple

Control at your fingertips - Make your cooking process as stylish as the food itself with touch controls that let you control heat with just one swipe

The cooktop just got smarter - Always have peace of mind in the kitchen, with cooktop technology that senses the presence of cookware and turns off the burners when cookware is removed

Boil water in a flash - Save time with a large 3,700-watt induction element that boils one quart of water in just 101 seconds and melts butter with exact temperatures for amazing efficiency

Safety controls add peace of mind - Maintain a worry-free environment in your kitchen with a control lock capability that prevents unintended burner activation

More heat for more space - Evenly heat large cookware like griddles by controlling two 7" synchronized elements with just the touch of a button

Guaranteed to fit your space - When you're updating your kitchen, attention to detail is a priority. That's why Café cooktops are guaranteed for an exact fit or Café Appliances will pay up to \$100 toward modifications.

Multitasking now has a timer - Make multitasking look easy with a multi-element timer that lets you manage up to four pans at once

Induction technology that helps you cook better - Prep like a pro with rapid, precise heat control that stays cool to the touch using four induction elements

## APPEARANCE

Color Appearance	Flagstone Gray
Frameless	Yes

## FEATURES

Cooktop Surface	Gray Ceramic Glass with Beveled-Edge
Cooktop Burner Type	4 Induction Elements
Element - Left Front	7" 2500W
Element - Left Rear	7" 2500W
Element - Right Front	11" 3700W
Element - Right Rear	6" 1800W
Control Location	Front Center
Control Type	Glide Touch
Cooktop Control Features	Control Lock Capability; Custom Settings; Kitchen timer; Melt Setting; Sync-Burners Capability
Melt Setting	Yes
Indicator Lights	4 Hot Surface; Surface Element "ON"; Setting Level Indicators;
Timer	Yes
Optional Accessories	JXPROBE1 - Precision cooking probe JXGRIDL1 - Griddle

## WEIGHTS & DIMENSIONS

Approximate Shipping Weight	45 lb
Cabinet Width	30 in
Cooktop Size	30 in
Cutout Dimensions (Width x Depth) (In.)	28-1/2 x 19-5/8
Net Weight	39 lb
Overall Depth	20 7/8 in
Overall Height	4 5/8 in
Overall Width	29 3/4 in

## POWER/RATINGS

Amp Rating at 208V	40
Amp Rating at 240V	40
KW Rating at 208V	6.4
KW Rating at 240V	7.4

## ACCESSORIES

11" Gourmet Guided Cooking Pan	Included
--------------------------------	----------

# Café™ 30" Built-In Touch Control Induction Cooktop

CHP95302MSS

# CAFÉ

DISTINCT BY DESIGN™

## WARRANTY

Parts warranty	Limited 1-year entire appliance
Labor warranty	Limited 1-year entire appliance

## DIMENSIONS AND INSTALLATION

**Important:** Requires a 3" free area between the bottom of the cooktop to any combustible material, i.e., shelving. Free area not required when installing wall oven underneath cooktop. Refer to installation instructions. Requires a 15" minimum from cooktop to adjacent overhead cabinets. Units are furnished with a 48" flexible armored cable.

**Note:** 30" induction cooktops are approved for use over select Café 27" and Café 30" Single Wall Ovens and Warming Drawers. Refer to cooktop and wall oven/warming drawer installation instructions packed with product for current dimensional data. If installed with a Café Telescopic Downdraft System, consult both the cooktop and downdraft installation instructions packed with product before installing. Cooktop gas/electric supply may need to be re-routed to install downdraft. The countertop cutout requires 23-1/2" minimum flat countertop surface and 25" minimum total countertop depth. In addition, other clearances to front edge of the countertop must be considered.

**Before installing, consult installation instructions packed with product for current dimensional data.**

## KW RATING

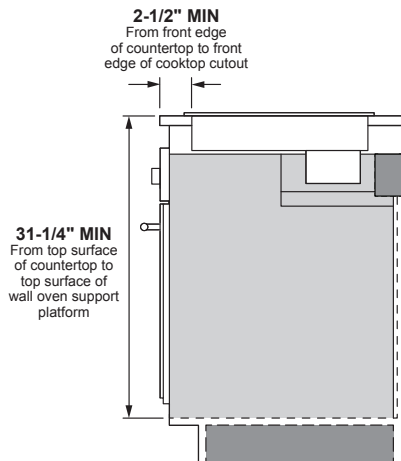
240V	7.4
208V	6.4

## AMPERAGE

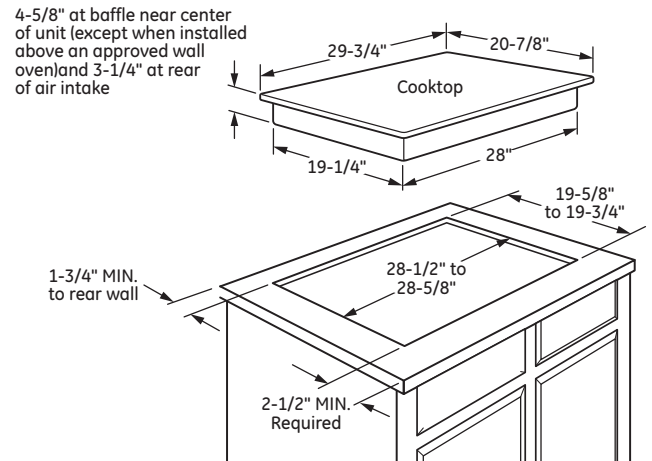
240V	40 Amps*
208V	40 Amps*

**Note:** Check local codes for required breaker size.

## Installation above a wall oven



## Approximate Cooking Dimensions



13" MAX. depth of unprotected overhead cabinets (when no hood or microwave is installed)

