

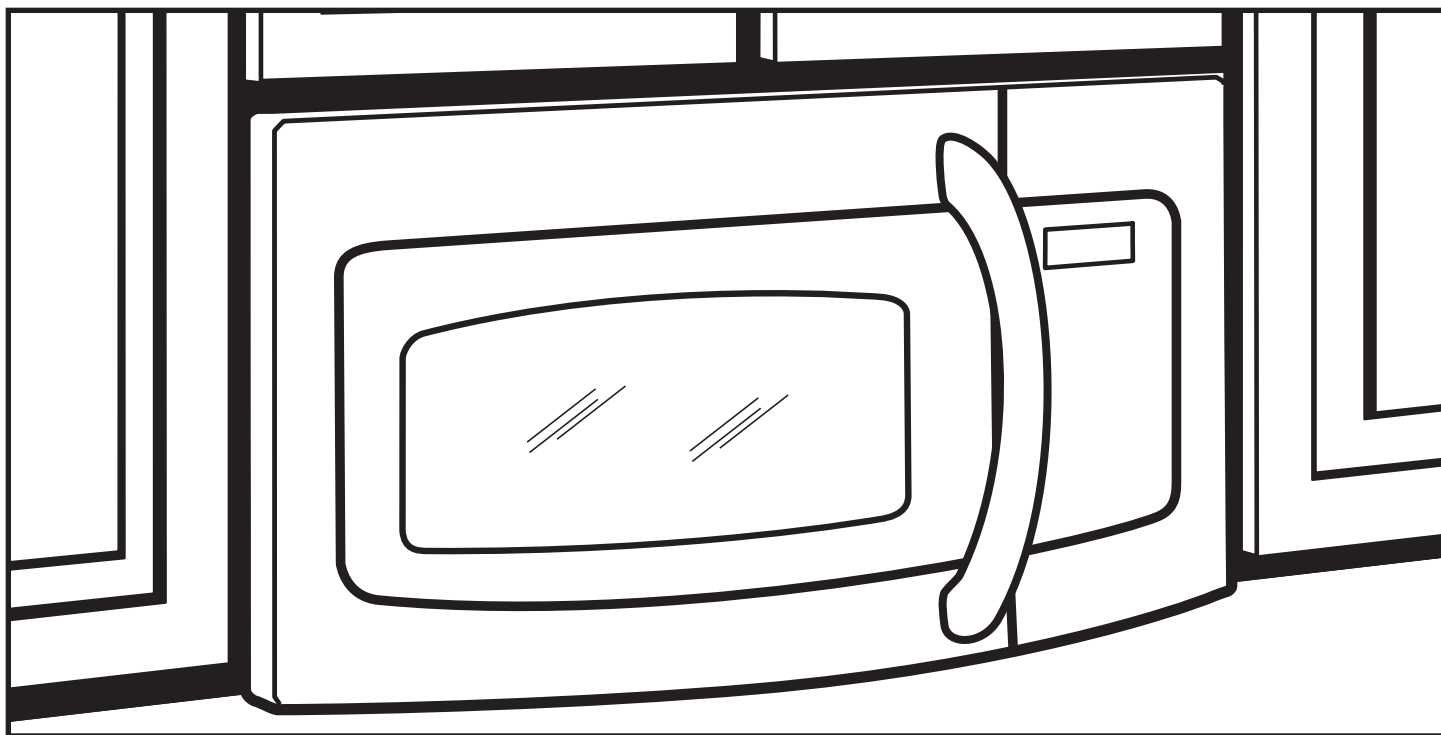
Installation Instructions

Over the Range Microwave Oven

BEFORE YOU BEGIN

Read these instructions carefully and completely.

- **IMPORTANT** – Save these instructions for local inspector's use.
- **IMPORTANT** – Observe all governing codes and ordinances.
- **Note to Installer** – Be sure to leave these instructions with Consumer.
- **Note to Consumer** – Keep these instructions for future reference.
- **Skill level** – Installation of this appliance requires basic mechanical and electrical skills.
- Proper installation is the responsibility of the installer.
- Product failure due to improper installation is not covered under Warranty.



LA SECCIÛN EN ESPAÒOL
EMPIEZA EN LA P·GINA 25.

READ CAREFULLY.
KEEP THESE INSTRUCTIONS.

Installation Instructions

CONTENTS

General information

Important Safety Instructions	3
Electrical Requirements.....	3
Hood Exhaust	4, 5
Damage – Shipment/Installation	6
Parts Included.....	6
Tools You Will Need.....	7
Mounting Space.....	7

Step-by-step Installation Guide

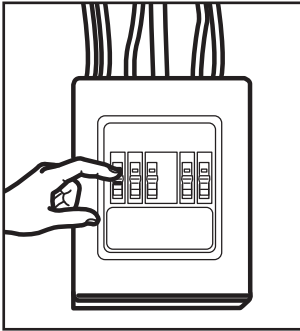
Placement of Mounting Plate	8–10
Removing the Mounting Plate	8
Finding the Wall Studs	8
Determining Wall Plate Location	9
Aligning the Wall Plate	10
Installation Types	11–23
A Outside Top Exhaust.....	12–15
Attach Mounting Plate to Wall	12
Preparation of Top Cabinet	13
Check Blower Motor Orientation.....	13
Adapting Blower for Outside Ventilation	13, 14
Check for Proper Damper Operation	14
Mount the Microwave Oven	14, 15
Adjust the Exhaust Adaptor	15
Connecting Ductwork.....	15

B Outside Back Exhaust.....	16-19
Preparing Rear Wall for Outside Back Exhaust	16
Attach Mounting Plate to Wall	16 17
Preparation of Top Cabinet	17
Adapting Microwave Blower for Outside Back Exhaust	17, 18
Mount the Microwave Oven.....	19
C Recirculating.....	20-23
Attach Mounting Plate to Wall	20
Preparation of Top Cabinet	20
Check Blower Motor Orientation.....	21
Adapting Microwave Blower for Recirculation.....	21, 22
Mount the Microwave Oven	22, 23
Installing the Charcoal Filter	23
Before You Use Your Microwave	24

Installation Instructions

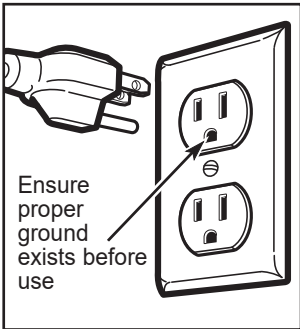
IMPORTANT SAFETY INSTRUCTIONS

A qualified electrician must perform a ground continuity check on the wall receptacle before beginning the installation to ensure that the outlet box is properly grounded. If not properly grounded, or if the wall receptacle does not meet electrical requirements noted (under ELECTRICAL REQUIREMENTS), a qualified electrician should be employed to correct any deficiencies.



⚠ WARNING

Risk of Electric Shock. Can cause injury or death: Remove house fuse or open circuit breaker before beginning installation to avoid severe or fatal shock injury.



⚠ WARNING

Risk of Electric Shock. Can cause injury or death: THIS APPLIANCE MUST BE PROPERLY GROUNDED to avoid severe or fatal shock.

The power cord of this appliance is equipped with a three-prong (grounding) plug which mates with a standard three-prong (grounding) wall receptacle to minimize the possibility of electric shock hazard from this appliance.

Where a standard two-prong wall receptacle is encountered, it must be replaced with a properly grounded three-prong wall receptacle, installed by a qualified electrician.

RISK OF ELECTRIC SHOCK

⚠ WARNING Can cause injury or death: **DO NOT**, under any circumstances, cut, deform or remove any of the prongs from the power cord. Do not use with an extension cord. Failure to comply may cause fire.

ELECTRICAL REQUIREMENTS

Product rating is 120 volts AC, 60 Hertz, 15 amps and 1.75 kilowatts. This product must be connected to a supply circuit of the proper voltage and frequency. Wire size must conform to the requirements of the National Electrical Code or the prevailing local code for this kilowatt rating. The power supply cord and plug should be brought to a separate 15- to 20-ampere branch circuit single grounded outlet. The outlet box should be located in the cabinet above the microwave oven. The outlet box and supply circuit should be installed by a qualified electrician and conform to the National Electrical Code or the prevailing local code.

FOR YOUR SAFETY:

⚠ CAUTION For personal safety, the mounting surface must be capable of supporting the cabinet load, in addition to the added weight of this 63–85 pound product, plus additional oven loads of up to 50 pounds or a total weight of 113–135 pounds.

⚠ CAUTION For personal safety, this product cannot be installed in cabinet arrangements such as an island or a peninsula. It must be mounted to BOTH a top cabinet AND a wall.

⚠ CAUTION To avoid the risk of personal injury (back injury or other injuries due to excessive weight of the microwave oven) or property damage, you will need two people to install this microwave oven.

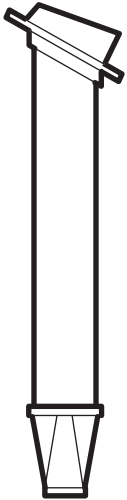
Installation Instructions

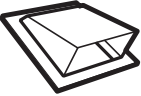


HOOD EXHAUST

NOTE: Read these next two pages only if you plan to vent your exhaust to the outside. If you plan to recirculate the air back into the room, proceed to page 11.

OUTSIDE TOP EXHAUST (EXAMPLE ONLY)

The following chart describes an example of one possible ductwork installation.

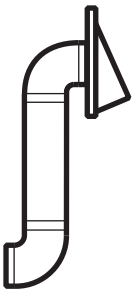


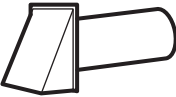


DUCT PIECES		EQUIVALENT LENGTH	x	NUMBER USED	=	LENGTH
	Roof Cap	24 Ft.	x	(1)	=	24 Ft.
	12 Ft. Straight Duct (6" Round)	12 Ft.	x	(1)	=	12 Ft.
	Rectangular-to-Round Transition Adaptor*	5 Ft.	x	(1)	=	5 Ft.
Equivalent lengths of duct pieces are based on actual tests and reflect requirements for good venting performance with any vent hood. Total Length =						41 Ft.

* **IMPORTANT:** If a rectangular-to-round transition adaptor is used, the bottom corners of the damper will have to be cut to fit, using the tin snips, in order to allow free movement of the damper.

OUTSIDE BACK EXHAUST (EXAMPLE ONLY)

The following chart describes an example of one possible ductwork installation.



DUCT PIECES		EQUIVALENT LENGTH*	x	NUMBER USED	=	LENGTH
	Wall Cap	40 Ft.	x	(1)	=	40 Ft.
	3 Ft. Straight Duct (3¼" x 10" Rectangular)	3 Ft.	x	(1)	=	3 Ft.
	90° Elbow	10 Ft.	x	(2)	=	20 Ft.
Equivalent lengths of duct pieces are based on actual tests and reflect requirements for good venting performance with any vent hood. Total Length =						63 Ft.

NOTE: For back exhaust, care should be taken to align exhaust with space between studs, or wall should be prepared at the time it is constructed by leaving enough space between the wall studs to accommodate exhaust.

Installation Instructions

NOTE: If you need to install ducts, note that the total duct length of 3¼" x 10" rectangular or 6" diameter round duct **should not exceed 140 equivalent feet.**

Outside ventilation requires a HOOD EXHAUST DUCT. Read the following carefully.

NOTE: It is important that venting be installed using the most direct route and with as few elbows as possible. This ensures clear venting of exhaust and helps prevent blockages. **Also, make sure dampers swing freely and nothing is blocking the ducts.**

Exhaust connection:





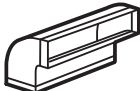
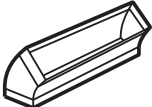
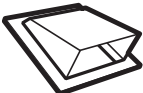

The hood exhaust has been designed to mate with a standard 3¼" x 10" rectangular duct.

If a round duct is required, a rectangular-to-round transition adaptor must be used. **Do not use less than a 6" diameter duct.**

Maximum duct length:

For satisfactory air movement, the total duct length of 3¼" x 10" rectangular or 6" diameter round duct **should not exceed 140 equivalent feet.**

Elbows, transitions, wall and roof caps, etc., present additional resistance to airflow and are equivalent to a section of straight duct which is longer than their actual physical size. When calculating the total duct length, add the equivalent lengths of all transitions and adaptors plus the length of all straight duct sections. The chart below shows you how to calculate total equivalent ductwork length using the approximate feet of equivalent length of some typical ducts.

DUCT PIECES	EQUIVALENT LENGTH	x	NUMBER USED	=	LENGTH	
 Rectangular-to-Round Transition Adaptor*	5 Ft.	x	()	=	Ft.	
 Wall Cap	40 Ft.	x	()	=	Ft.	
 90° Elbow	10 Ft.	x	()	=	Ft.	
 45° Elbow	5 Ft.	x	()	=	Ft.	
 90° Elbow	25 Ft.	x	()	=	Ft.	
 45° Elbow	5 Ft.	x	()	=	Ft.	
 Roof Cap	24 Ft.	x	()	=	Ft.	
 Straight Duct 6" Round or 3¼" x 10" Rectangular	1 Ft.	x	()	=	Ft.	
Total Ductwork					=	Ft.



*** IMPORTANT:** If a rectangular-to-round transition adaptor is used, the bottom corners of the damper will have to be cut to fit, using the tin snips, in order to allow free movement of the damper.

Equivalent lengths of duct pieces are based on actual tests and reflect requirements for good venting performance with any vent hood.


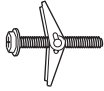


Installation Instructions

DAMAGE – SHIPMENT INSTALLATION

- If the unit is damaged in shipment, return the unit to the store in which it was bought for repair or replacement.
- If the unit is damaged by the customer, repair or replacement is the responsibility of the customer.
- If the unit is damaged by the installer (if other than the customer), repair or replacement must be made by arrangement between customer and installer.

PARTS INCLUDED

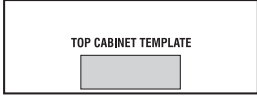
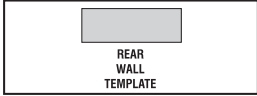


HARDWARE PACKET

PART		QUANTITY
	Wood Screws (1/4" x 2")	2
	Toggle Bolts (and wing nuts) (3/16" x 3")	2
	Self-Aligning Machine Screws (1/4"-28 x 3 1/4")	3
	Nylon Grommet (for metal cabinets)	1

You will find the installation hardware contained in a packet with the unit. Check to make sure you have all these parts.

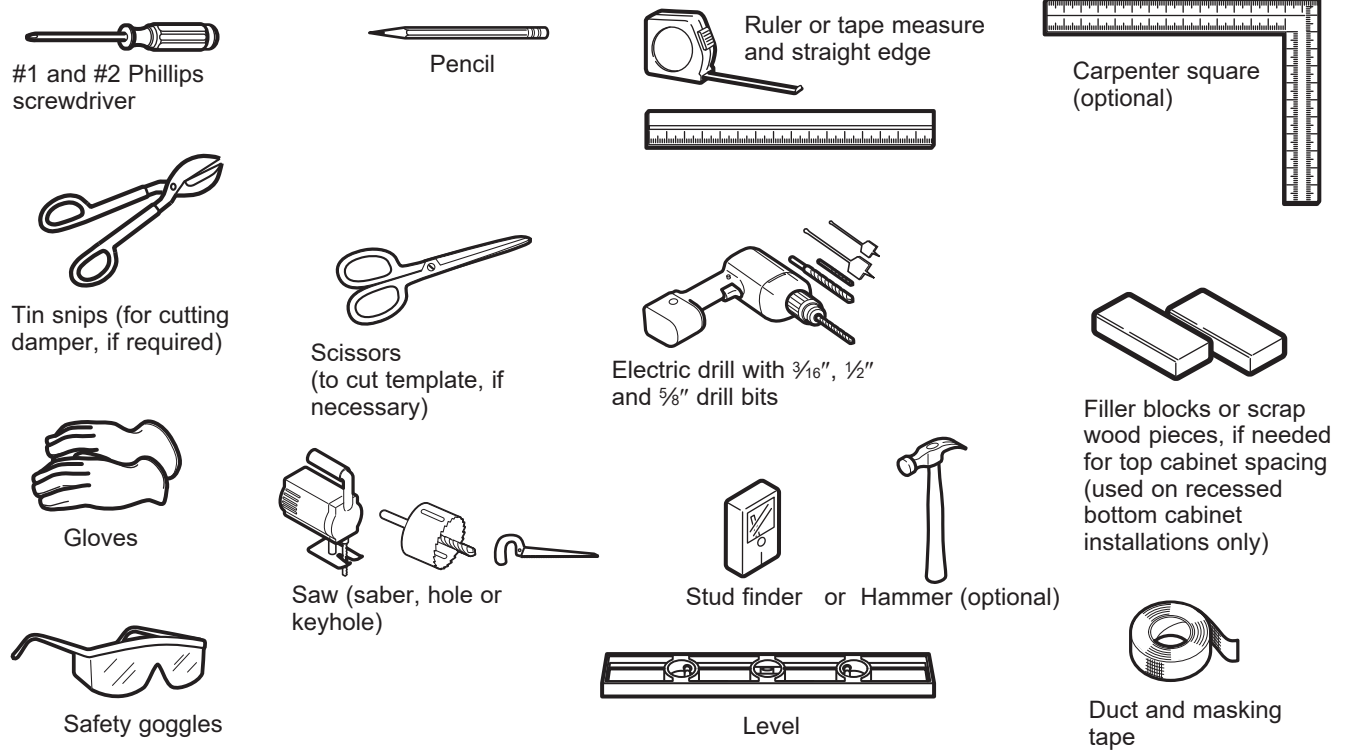
NOTE: Some extra parts are included.

ADDITIONAL PARTS

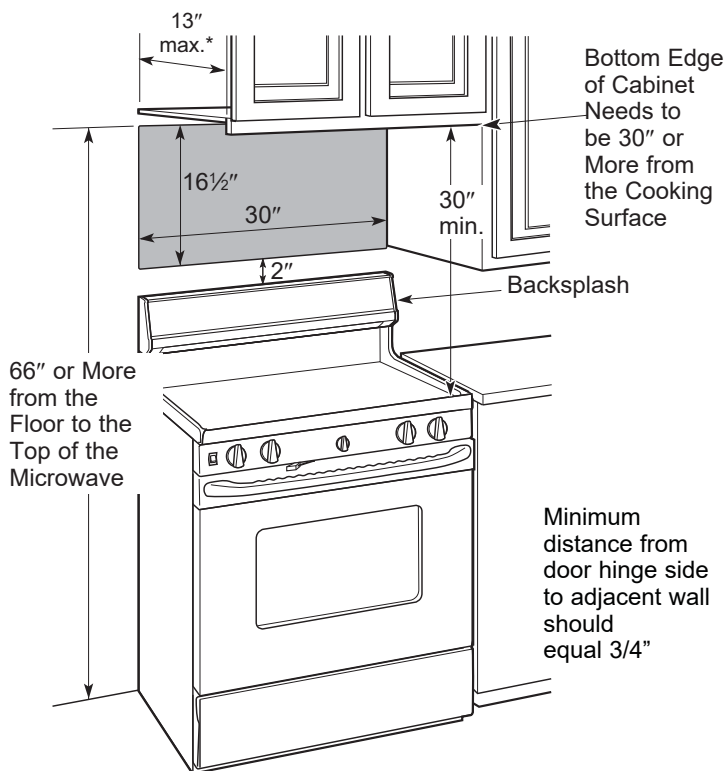
PART		QUANTITY
	Top Cabinet Template	1
	Rear Wall Template	1
	Installation Instructions	1
	Separately Packed Grease Filter	2

Installation Instructions

TOOLS YOU WILL NEED



MOUNTING SPACE



NOTES:

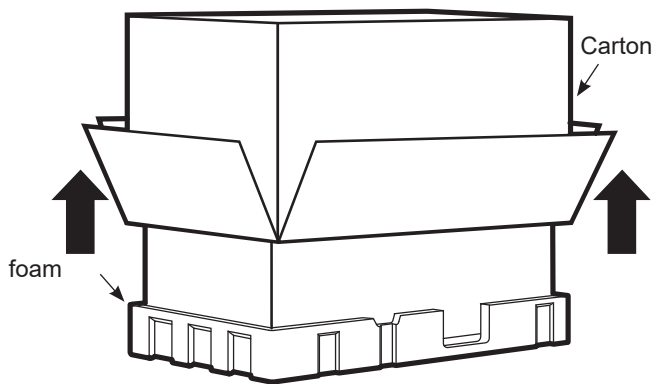
- The space between the cabinets must be 30" wide and free of obstructions.
 - If the space between the cabinets is greater than 30", a Filler Panel Kit may be used to fill in the gap between the microwave oven and the cabinets. Your Owner's Manual contains the kit number for your model.
 - This microwave oven is for installation over ranges up to 36" wide.
 - If you are going to vent your microwave oven to the outside, see Hood Exhaust Section for exhaust duct preparation.
 - **When installing the microwave oven beneath smooth, flat cabinets, be careful to follow the instructions on the top cabinet template for power cord clearance.**
 - **Models with top venting grilles: Do not allow cabinetry or other objects to block the airflow of the vent.**
- * 13" max: for standard installation, 15" cabinet depth requires additional steps using an additional installation kit JX15BUMPWW/BB.

Installation Instructions

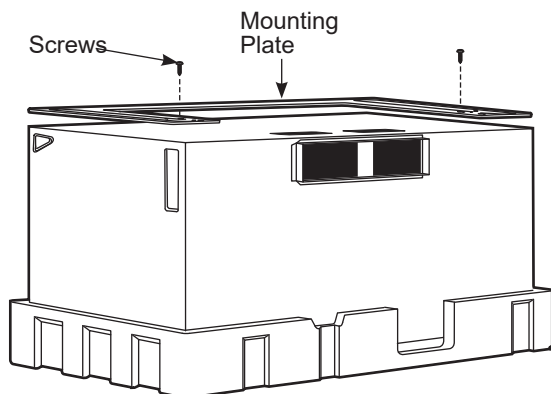
1 PLACEMENT OF THE MOUNTING PLATE

A. REMOVING THE MICROWAVE OVEN FROM THE CARTON/REMOVING THE MOUNTING PLATE

- 1 Remove the installation instructions, filters, glass tray and the small hardware bag. Do not remove the foam protecting the front of the oven.
- 2 Fold back all 4 carton flaps fully against carton sides. Then carefully roll the oven and carton over onto the top side. The oven should be resting in the foam.

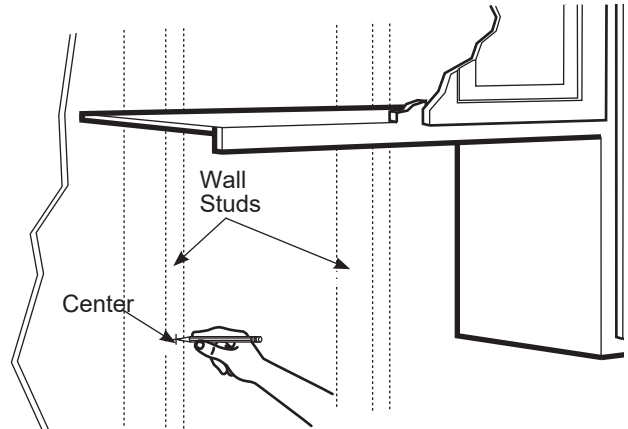


- 3 Pull the carton up and off the oven.
- 4 Remove and properly discard plastic bags.



- 5 Remove the 2 screws from the mounting plate. This plate will be used as the rear wall template and for mounting. You may discard these screws.

B. FINDING THE WALL STUDS



- 1 Find the studs, using one of the following methods:
 - A. Stud finder – a magnetic device which locates nails.

OR

 - B. Use a hammer to tap lightly across the mounting surface to find a solid sound. This will indicate a stud location.
- 2 After locating the stud(s), find the center by probing the wall with a small nail to find the edges of the stud. Then place a mark halfway between the edges. The center of any adjacent studs should be 16" or 24" from this mark.
- 3 Draw a line down the center of the studs.

NOTE: THE MICROWAVE MUST BE CONNECTED TO AT LEAST ONE WALL STUD.

Installation Instructions

C. DETERMINING WALL PLATE LOCATION UNDER YOUR CABINET

Plate position – beneath flat bottom cabinet

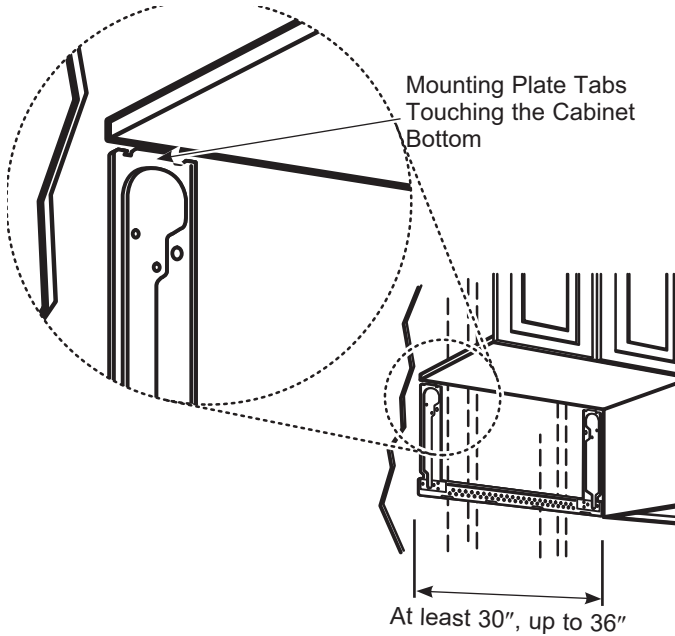


Plate position – beneath framed recessed cabinet bottom

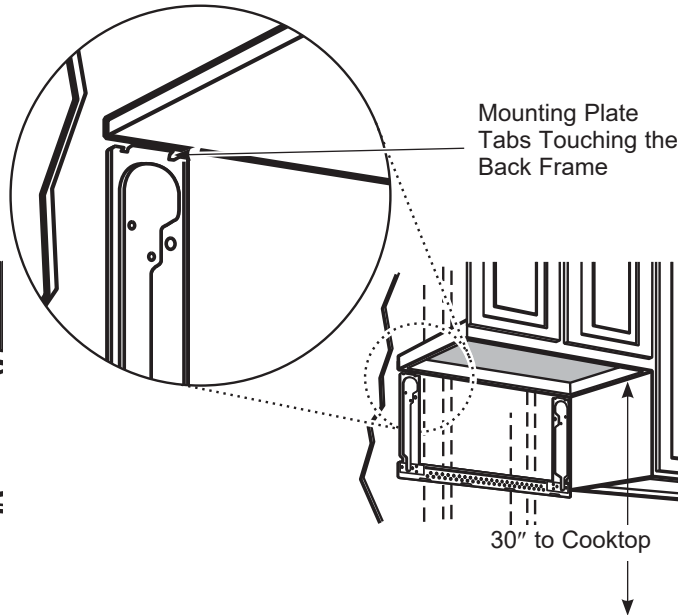
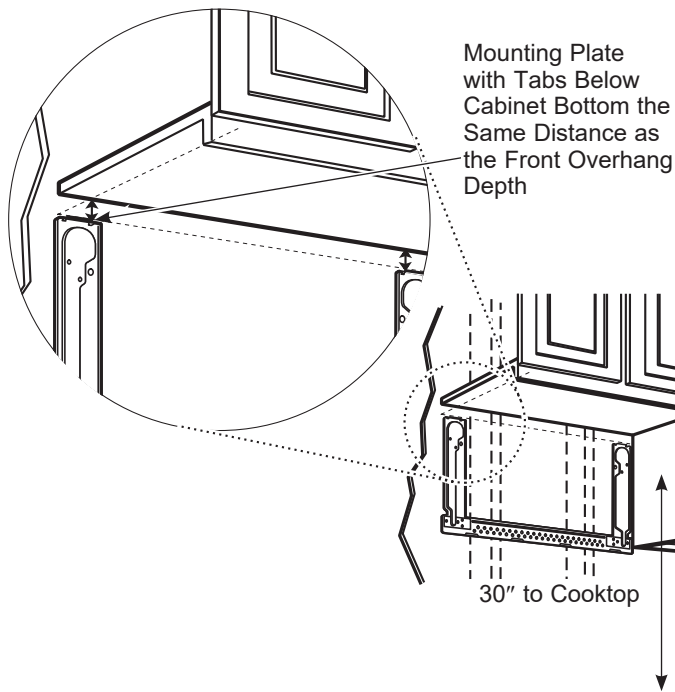


Plate position – beneath recessed bottom cabinet with front overhang



Your cabinets may have decorative trim that interferes with the microwave installation. Remove the decorative trim to install the microwave properly and to make it level.

NOTE: THE MICROWAVE MUST BE LEVEL.

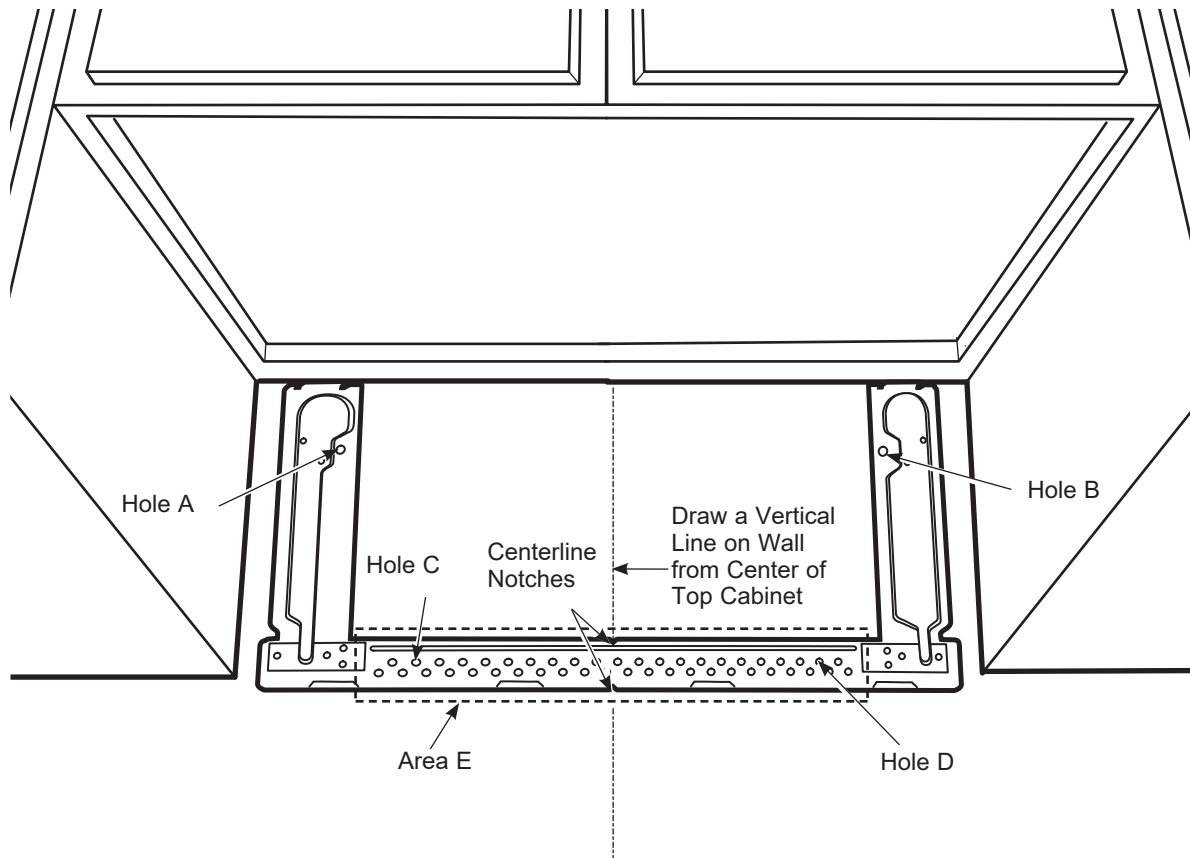
Use a level to make sure the cabinet bottom is level.

If the cabinets have a front overhang only, with no back or side frame, install the mounting plate down the same distance as the front overhang depth. This will keep the microwave level.

- 1 Measure the inside depth of the front overhang.
- 2 Draw a horizontal line on the back wall an equal distance below the cabinet bottom as the inside depth of the front overhang.
- 3 For this type of installation with front overhang only, align the mounting tabs with this horizontal line, not touching the cabinet bottom as described in Step D.

Installation Instructions

D. ALIGNING THE WALL PLATE



CAUTION Wear gloves to avoid cutting fingers on sharp edges.

- 1 Draw a vertical line on the wall at the center of the 30" wide space.
- 2 Use the mounting plate as the template for the rear wall. Place the mounting plate on the wall, making sure that the tabs are touching the bottom of the cabinet or the level line drawn in Step C for cabinets with front overhang. Line up the notch and centerline on the bottom of the mounting plate to the centerline on the wall.
- 3 While holding the mounting plate with one hand, draw circles on the wall at holes A, B, C and D (see illustration above/actual plate marked with arrows). **Four holes must be used for mounting.**

NOTE: Holes C and D are inside area E. If neither C nor D is in a stud, find a stud somewhere in area E and draw a fifth circle to line up with the stud. It is important to use **at least one wood screw mounted firmly in a stud** to support the weight of the microwave.

Set the mounting plate aside.

WARNING Risk of electric shock. Can cause injury or death. Take care to not drill into electrical wiring inside walls or cabinets.

- 4 Drill holes on the circles. If there is a stud, drill a $\frac{3}{16}$ " hole for wood screws. For holes that don't line up with a stud, drill a $\frac{5}{8}$ " hole for toggle bolts. Drill two $\frac{5}{8}$ " holes for toggle screws.

NOTE: DO NOT MOUNT THE PLATE AT THIS TIME.

Installation Instructions

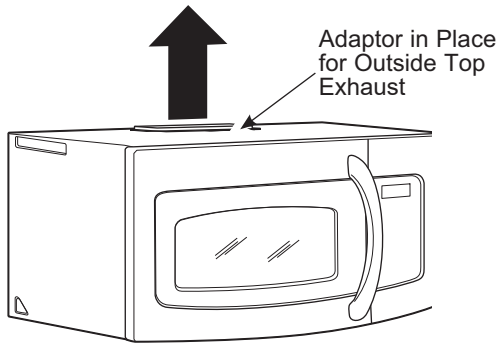
2 INSTALLATION TYPES (Choose A, B or C)

This microwave oven is designed for adaptation to the following three types of ventilation:

- A. Outside Top Exhaust (Vertical Duct)
- B. Outside Back Exhaust (Horizontal Duct)
- C. Recirculating (Non-Vented Ductless)

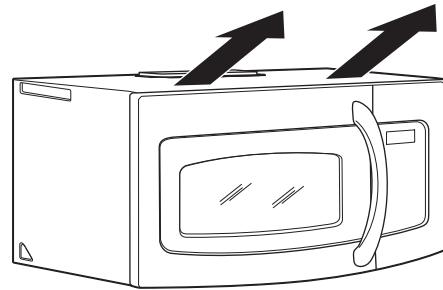
NOTE: This microwave is shipped assembled for Outside Top Exhaust (except for non-vented models). Select the type of ventilation required for your installation and proceed to that section.

A OUTSIDE TOP EXHAUST (VERTICAL DUCT)



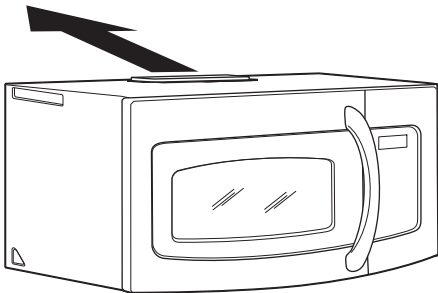
See page 12

C RECIRCULATING (NON-VENTED DUCTLESS)



See page 20

B OUTSIDE BACK EXHAUST (HORIZONTAL DUCT)



See page 16

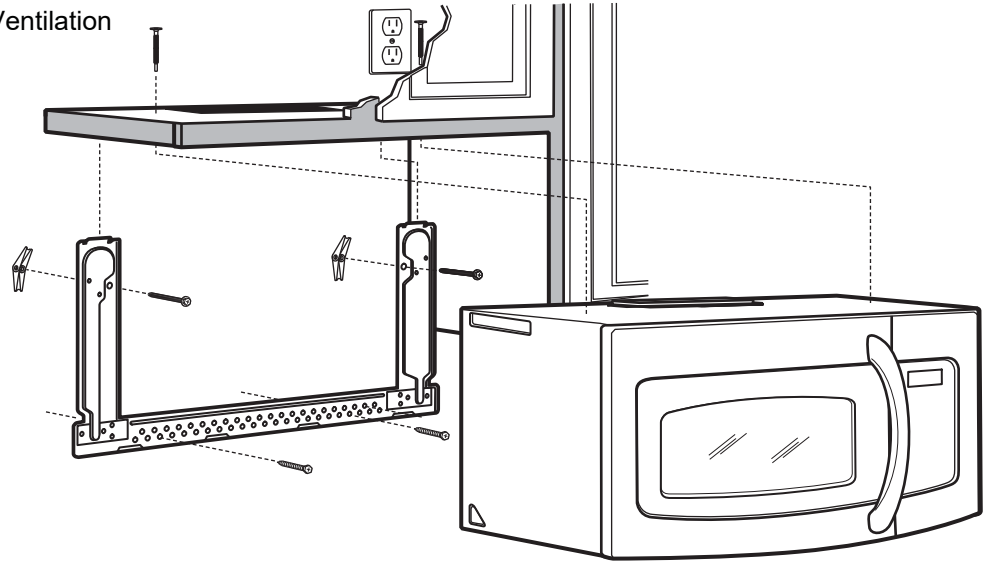
A Charcoal Filter Accessory Kit is required for the non-vented exhaust. (See your Owner's Manual for the kit number.)

Installation Instructions

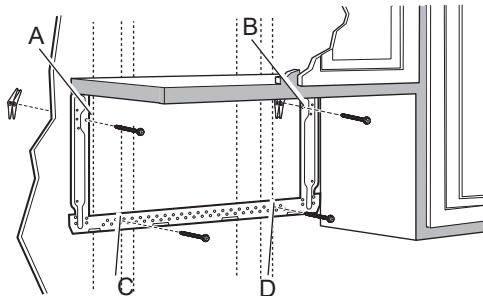
A OUTSIDE TOP EXHAUST (Vertical Duct)

INSTALLATION OVERVIEW

- A1. Attach Mounting Plate to Wall
- A2. Prepare Top Cabinet
- A3. Check Blower Motor Orientation
- A4. Adapt Blower for Outside Ventilation
- A5. Check Damper Operation
- A6. Mount Microwave Oven
- A7. Adjust Exhaust Adaptor
- A8. Connect Ductwork



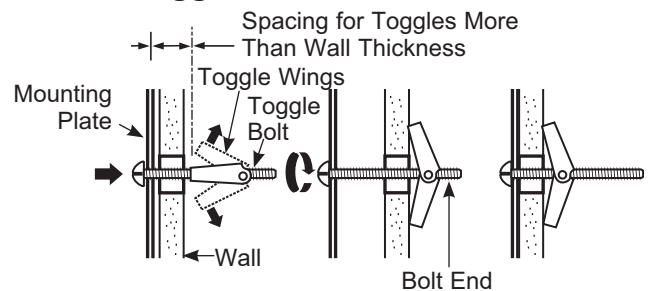
A1 ATTACH THE MOUNTING PLATE TO THE WALL



Attach the plate to the wall using toggle bolts. At least one wood screw must be used to attach the plate to a wall stud. Recommended locations on the mounting plate are indicated by A, B, C and D.

- 1 Remove the toggle wings from the bolts.
- 2 Insert the bolts into the mounting plate through the holes designated to go into drywall and reattach the toggle wings to $\frac{3}{4}$ " onto each bolt.

To use toggle bolts:



- 3 Place the mounting plate against the wall and insert the toggle wings into the holes in the wall to mount the plate.

NOTE: Before tightening toggle bolts and wood screw, make sure the tabs on the mounting plate touch the bottom of the cabinet when pushed flush against the wall and that the plate is properly centered under the cabinet.

CAUTION

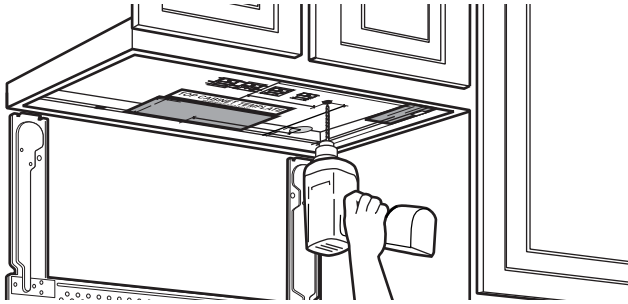
Be careful to avoid pinching fingers between the back of the mounting plate and the wall.

- 4 Tighten all bolts. Pull the plate away from the wall to help tighten the bolts.

Installation Instructions

A2. USE TOP CABINET TEMPLATE FOR PREPARATION OF TOP CABINET

You need to drill holes for the top support screws, a hole large enough for the power cord to fit through, and a cutout large enough for the exhaust adaptor.



- Read the instructions on the TOP CABINET TEMPLATE.
- Tape it underneath the top cabinet.
- Drill the holes, following the instructions on the TOP CABINET TEMPLATE.

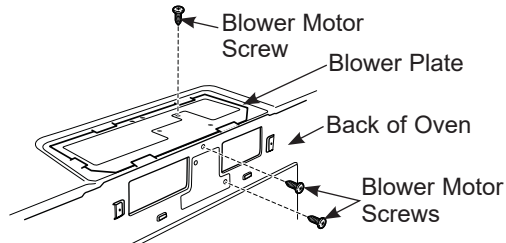
NOTE: Wear safety goggles when drilling holes in the cabinet bottom.

A3. CHECK BLOWER MOTOR ORIENTATION

The blower fan blade opening should be facing the top of the microwave. If the fan opening is already facing the top of the microwave, skip to Step A5. Otherwise, continue to Step A4 to adjust the motor orientation.

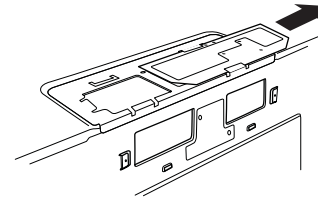
A4. ADAPTING BLOWER FOR OUTSIDE VENTILATION

- 1 Remove and save the screws that hold the blower motor to the microwave oven.

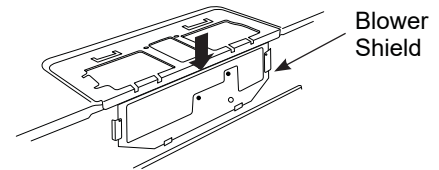


- 2 Remove and save the metal blower shield on the top of the microwave by sliding it right.

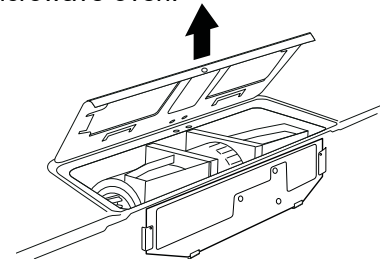
A4. ADAPTING BLOWER FOR OUTSIDE VENTILATION (Cont.)



- 3 Attached the metal blower shield to the backside of the microwave oven by sliding it down.

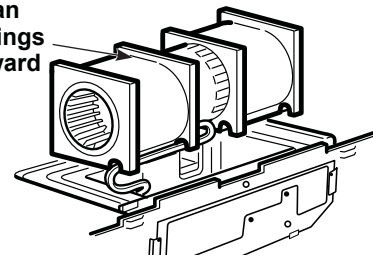


- 4 Open the blower door by lifting it up at the back of the microwave oven.

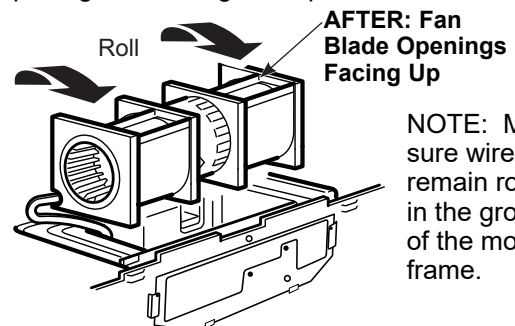


- 5 Carefully pull out the blower unit. The wires will extend far enough to allow you to adjust the blower unit.

BEFORE: Fan Blade Openings Facing Forward



- 6 Roll the blower unit 90° so that the fan blade openings are facing the top.



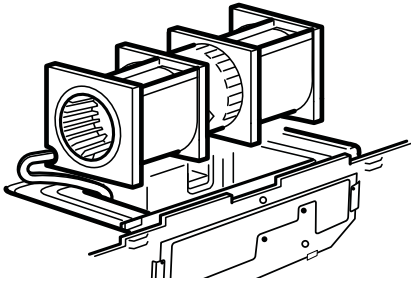
NOTE: Make sure wires remain routed in the grooves of the motor frame.

Installation Instructions

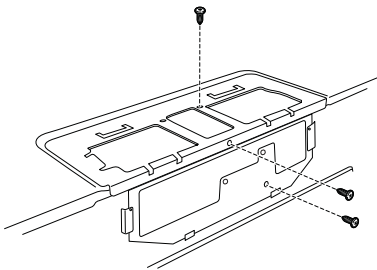
A4. ADAPTING BLOWER FOR OUTSIDE VENTILATION (Cont.)

7 Place the blower unit back into the opening.

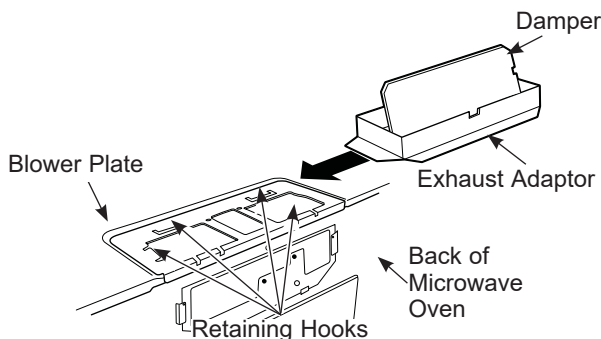
CAUTION Do not pull or stretch the blower unit wiring. Make sure the wires are not pinched.



8 Close the blower door. Secure the blower to the microwave using the screws from Step 1.

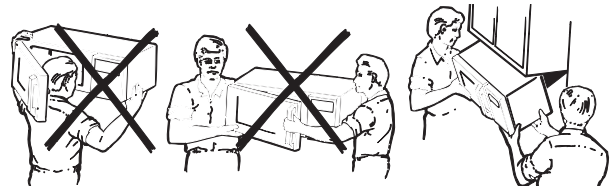


A5. CHECK FOR PROPER DAMPER OPERATION



- Place the microwave in its upright position, with the top of the unit facing up.
- **Make sure tape securing damper is removed and damper pivots easily before mounting microwave.**
- Slide the damper into place. Make sure it catches in the retaining hooks to secure.
- You will need to make adjustments to assure proper alignment with your house exhaust duct after the microwave is installed.

A6. MOUNT THE MICROWAVE OVEN



CAUTION FOR EASIER INSTALLATION AND PERSONAL SAFETY, WE RECOMMEND THAT TWO PEOPLE INSTALL THIS MICROWAVE OVEN.

IMPORTANT: Do not grip or use handle during installation.

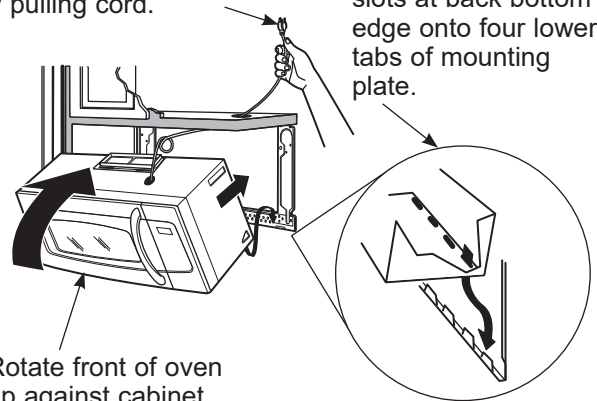
NOTE: If your cabinet is metal, use the nylon grommet around the power cord hole to prevent cutting of the cord.

NOTE: We recommend using filler blocks if the cabinet front hangs below the cabinet bottom shelf.

IMPORTANT: If filler blocks are not used, case damage may occur from overtightening screws.

NOTE: When mounting the microwave oven, thread power cord through hole in bottom of top cabinet. Keep it tight throughout Steps 1–3. Do not pinch cord or lift oven by pulling cord.

1 Lift microwave, tilt it forward, and hook slots at back bottom edge onto four lower tabs of mounting plate.

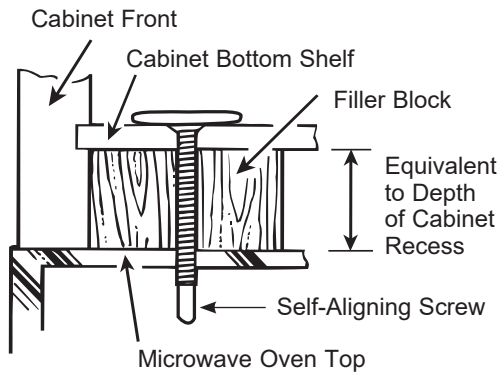


2 Rotate front of oven up against cabinet bottom.

3 Insert a self-aligning screw through top center cabinet hole. Temporarily secure the oven by turning the screw at least **two full turns** after the threads have engaged. (It will be completely tightened later.) **Be sure to keep power cord tight. Be careful not to pinch the cord, especially when mounting flush to bottom of cabinet.**

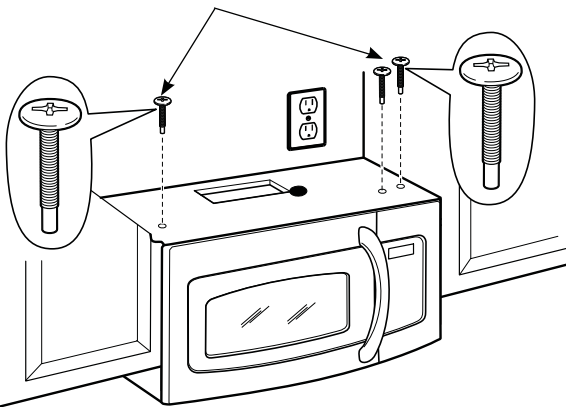
Installation Instructions

A6. MOUNT THE MICROWAVE OVEN (cont.)



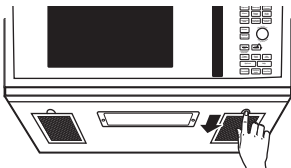
4 Attach the microwave oven to the top cabinet.

5 Insert 3 self-aligning screws through outer top cabinet holes. Turn two full turns on each screw.



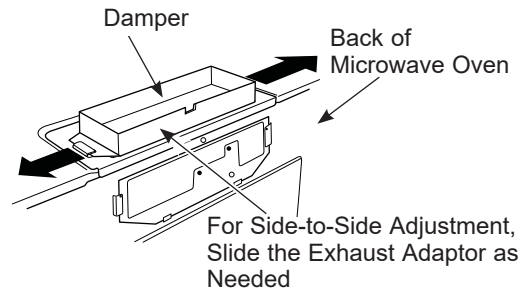
6 Tighten the outer three screws to the top of the microwave oven. (While tightening screws, hold the microwave oven in place against the wall and the top cabinet.)

7 Install grease filter. See the Owner's Manual on the website (GEAppliances.com).

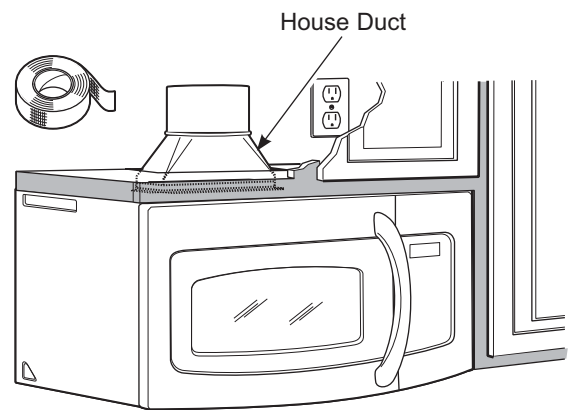


A7. ADJUST THE EXHAUST ADAPTOR

Open the top cabinet and adjust the exhaust adaptor to connect to the house duct.



A8. CONNECTING DUCTWORK



1 Extend the house duct down to connect to the exhaust adaptor.

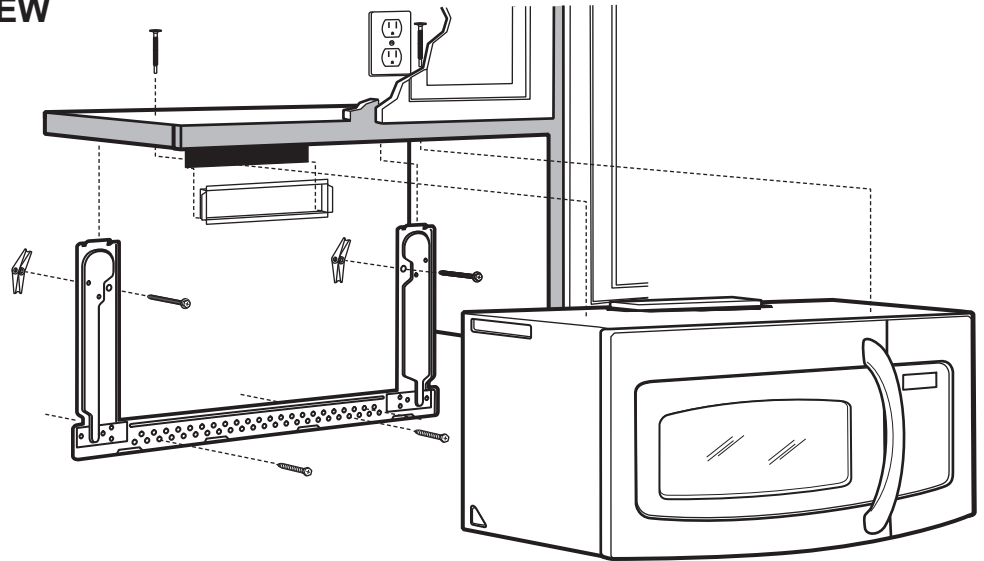
2 Seal exhaust duct joints using duct tape.

Installation Instructions

B OUTSIDE BACK EXHAUST (Horizontal Duct)

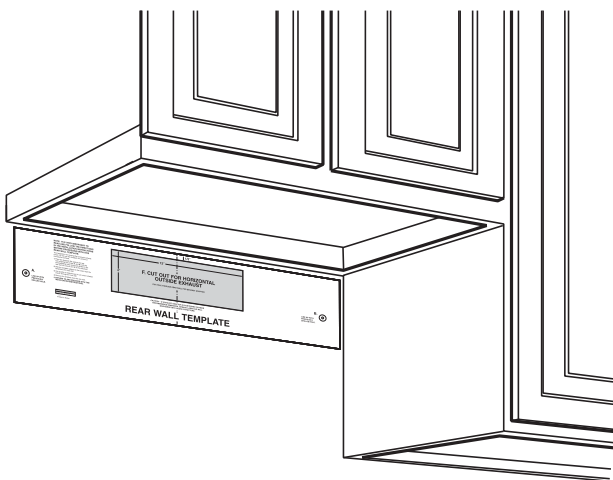
INSTALLATION OVERVIEW

- B1. Prepare Rear Wall
- B2. Attach Mounting Plate to Wall
- B3. Prepare Top Cabinet
- B4. Adjust Blower
- B5. Mount the Microwave Oven



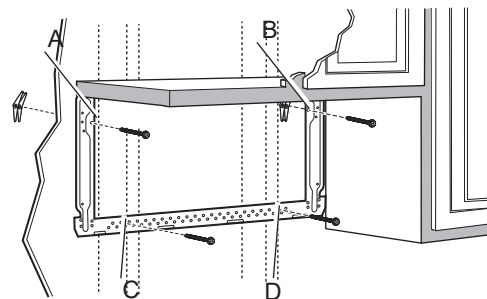
B1. PREPARING THE REAR WALL FOR OUTSIDE BACK EXHAUST

You need to cut an opening in the rear wall for outside exhaust.



- Read the instructions on the REAR WALL TEMPLATE.
- Tape it to the rear wall, lining up with the holes previously drilled for holes A and B in the wall plate.
- Cut the opening, following the instructions of the REAR WALL TEMPLATE.

B2. ATTACH THE MOUNTING PLATE TO THE WALL

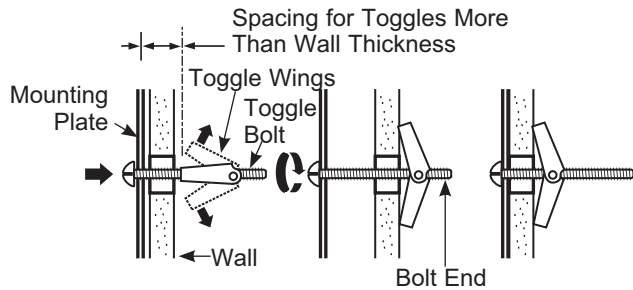


Attach the plate to the wall using toggle bolts. At least one wood screw must be used to attach the plate to a wall stud. Recommended locations on the mounting plate are indicated by A, B, C and D.

- 1 Remove the toggle wings from the bolts.
- 2 Insert the bolts into the mounting plate through the holes designated to go into drywall and reattach the toggle wings to $\frac{3}{4}$ " onto each bolt.

Installation Instructions

To use toggle bolts:



- Place the mounting plate against the wall and insert the toggle wings into the holes in the wall to mount the plate.

NOTE: Before tightening toggle bolts and wood screw, make sure the tabs on the mounting plate touch the bottom of the cabinet when pushed flush against the wall and that the plate is properly centered under the cabinet.

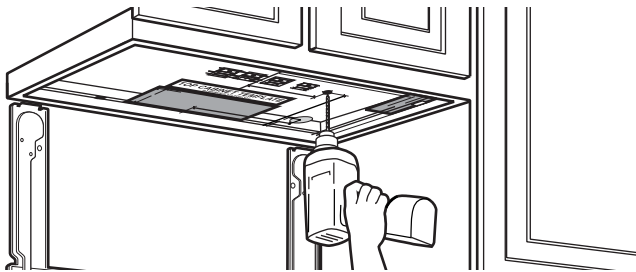
⚠ CAUTION

Be careful to avoid pinching fingers between the back of the mounting plate and the wall.

- Tighten all bolts. Pull the plate away from the wall to help tighten the bolts.

B3. USE TOP CABINET TEMPLATE FOR PREPARATION OF TOP CABINET

You need to drill holes for the top support screws and a hole large enough for the power cord to fit through.



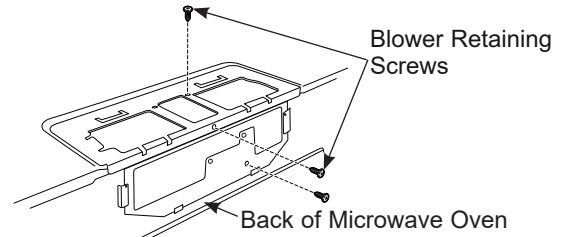
- Read the instructions on the TOP CABINET TEMPLATE.
- Tape it underneath the top cabinet.
- Drill the holes, following the instructions on the TOP CABINET TEMPLATE.

⚠ CAUTION

Wear safety goggles when drilling holes in the cabinet bottom.

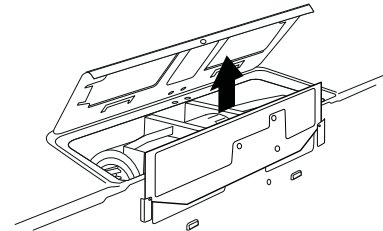
B4. ADAPTING MICROWAVE BLOWER FOR OUTSIDE BACK EXHAUST

- Remove and save screws that hold blower motor to microwave oven.



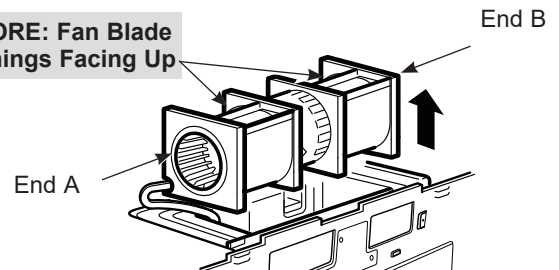
- Open the blower door by lifting it up at the back of the microwave. Remove and save the blower shield on the back of the microwave by sliding it up.

Remove and save the metal vent fan cover on the back of the microwave by sliding it up.

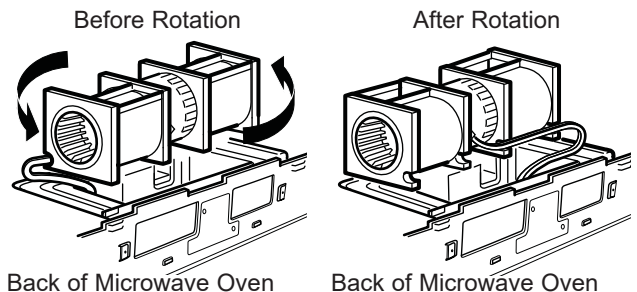


- Carefully pull out the blower unit. The wires will extend far enough to allow you to adjust the blower unit.

BEFORE: Fan Blade Openings Facing Up



- Rotate blower unit counterclockwise 180°.

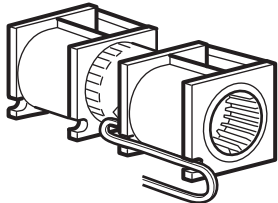


Installation Instructions

B4. ADAPTING MICROWAVE BLOWER FOR OUTSIDE BACK EXHAUST (cont.)

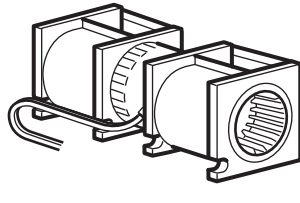
- 5 Gently remove the wires from the grooves. Reroute the wires through grooves on other side of the blower unit.

Before Rerouting



Wires Routed Through Right Side

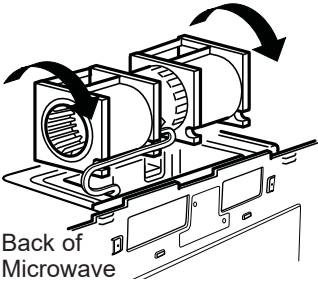
After Rerouting



Wires Routed Through Left Side

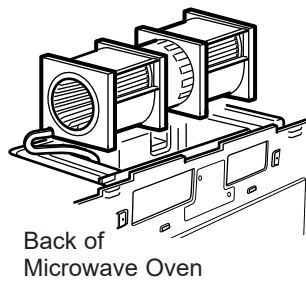
- 6 Roll the blower unit 90° so that fan blade openings are facing out the back of the microwave.

Before Rolling



Back of Microwave Oven

After Rolling



Back of Microwave Oven

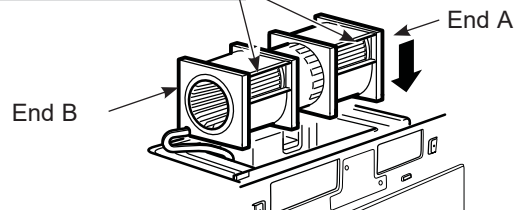
- 7 Locate the two "knockout" plates, on the rear oven panel, near the top of the oven. Using tin snips, carefully cut the web area from the two holes side-by-side (that secure the knockouts to the oven). Cut all four webs on both rear knockouts; this will allow the ventilation fan airflow to exhaust out the rear of the oven.

CAUTION Be sure to trim the sharp edges from the openings after removing the knockout plates.

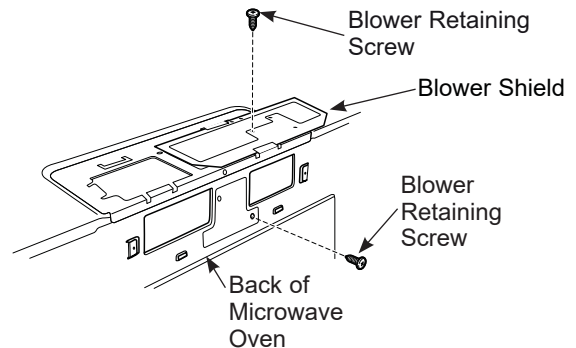
- 8 Place the blower unit back into the opening. The blower unit exhaust openings should match exhaust openings on rear of microwave.

CAUTION Do not pull or stretch the blower unit wiring. Make sure the wires are not pinched.

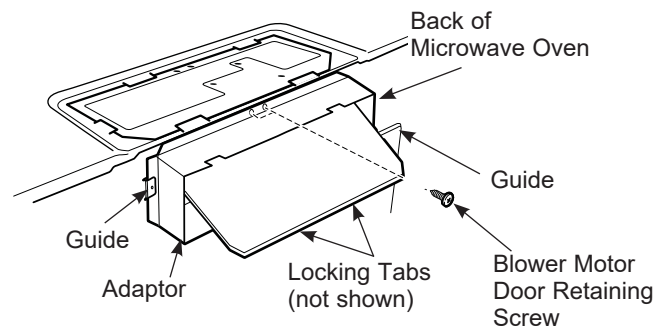
AFTER: Fan Blade Openings Facing Back



- 9 Close the blower door. Slide blower shield onto the top of the blower door opening. Secure the blower to the microwave oven using the blower retaining screws from Step 1 except the upper blower motor retaining screw

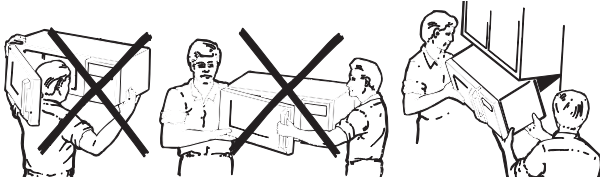


- 10 Slide the exhaust adaptor onto the back of the microwave oven, securing it into the lower locking tabs. Take care to ensure that the damper hinge is installed so that it is at the top and that the damper swings freely. Reinstall the upper blower motor screw through the adaptor and the blower door and into the back of the microwave oven.



Installation Instructions

B5. MOUNT THE MICROWAVE OVEN



CAUTION FOR EASIER INSTALLATION AND PERSONAL SAFETY, WE RECOMMEND THAT TWO PEOPLE INSTALL THIS MICROWAVE OVEN.

IMPORTANT: Do not grip or use handle during installation.

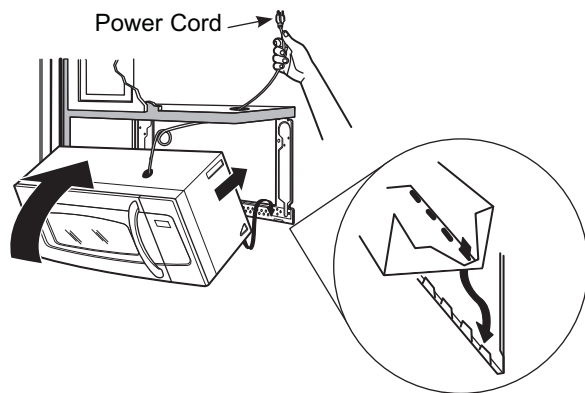
NOTE: If your cabinet is metal, use the nylon grommet around the power cord hole to prevent cutting of the cord.

NOTE: We recommend using filler blocks if the cabinet front hangs below the cabinet bottom shelf.

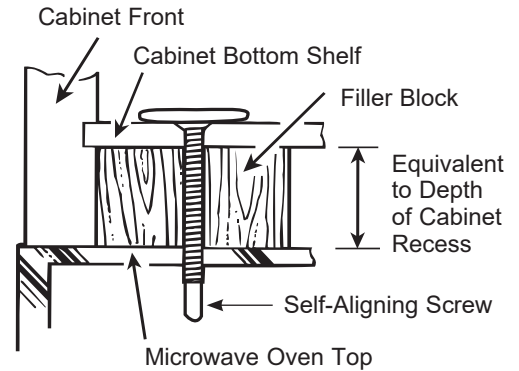
IMPORTANT: If filler blocks are not used, case damage may occur from overtightening screws.

- 1 Lift microwave, tilt it forward, and hook slots at back bottom edge onto four lower tabs of mounting plate.

NOTE: When mounting the microwave oven, thread power cord through hole in bottom of top cabinet. Keep it tight throughout Steps 1–3. Do not pinch cord or lift oven by pulling cord.

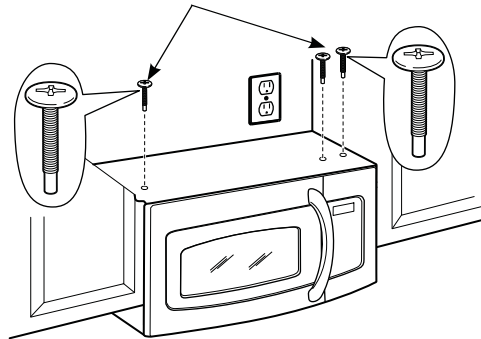


- 2 Rotate front of oven up against cabinet bottom.
- 3 Insert a self-aligning screw through top center cabinet hole. Temporarily secure the oven by turning the screw at least two full turns after the threads have engaged. (It will be completely tightened later.) Be sure to keep power cord tight. Be careful not to pinch the cord, especially when mounting flush to bottom of cabinet.

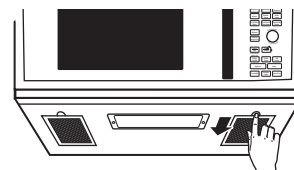


- 4 Attach the microwave oven to the top cabinet.
- 5 Insert 3 self-aligning screws through outer top cabinet holes. Turn two full turns on each screw.

Self-Aligning Screws



- 6 Tighten the outer three screws to the top of the microwave oven. (While tightening screws, hold the microwave oven in place against the wall and the top cabinet.)
- 7 Install grease filter. See the Owner's Manual packed with the microwave.

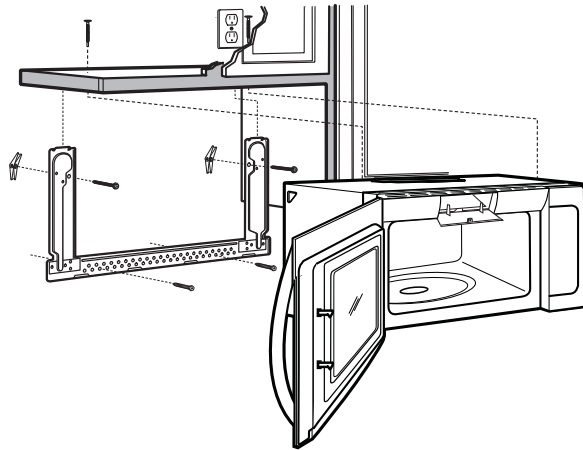


Installation Instructions

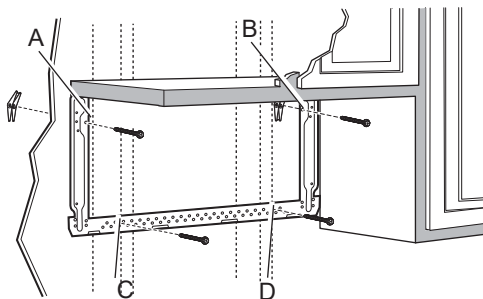
C RECIRCULATING (Non-Vented Ductless)

INSTALLATION OVERVIEW

- C1. Attach Mounting Plate to Wall
- C2. Prepare Top Cabinet
- C3. Check Blower Motor Orientation
- C4. Adapt Blower for Recirculation
- C5. Mount the Microwave Oven
- C6. Install Charcoal Filter



C1 ATTACH THE MOUNTING PLATE TO THE WALL

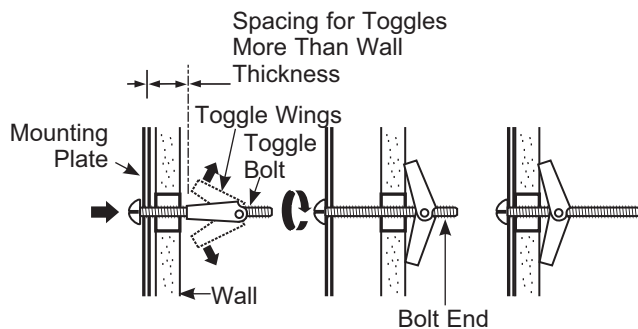


Attach the plate to the wall using toggle bolts. At least one wood screw must be used to attach the plate to

a wall stud. Recommended locations on the mounting plate are indicated by A, B, C and D.

- 1 Remove the toggle wings from the bolts.
- 2 Insert the bolts into the mounting plate through the holes designated to go into drywall and reattach the toggle wings to $\frac{3}{4}$ " onto each bolt.

To use toggle bolts:



- 3 Place the mounting plate against the wall and insert the toggle wings into the holes in the wall to mount the plate.

NOTE: Before tightening toggle bolts and wood screw, make sure the tabs on the mounting plate touch the bottom of the cabinet when pushed flush against the wall and that the plate is properly centered under the cabinet.

CAUTION

Be careful to avoid pinching fingers between the back of the mounting plate and the wall.

- 4 Tighten all bolts. Pull the plate away from the wall to help tighten the bolts.

C2. USE TOP CABINET TEMPLATE FOR PREPARATION OF TOP CABINET

You need to drill holes for top support screws and a hole large enough for the power cord to fit through.



- Read the instructions on the TOP CABINET TEMPLATE.
- Tape it underneath the top cabinet.
- Drill the holes, following the instructions on the TOP CABINET TEMPLATE.

CAUTION

Wear safety goggles when drilling holes in the cabinet bottom.

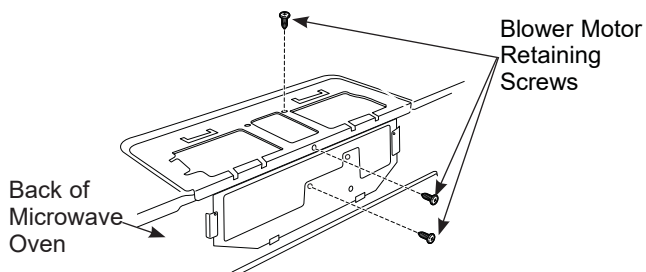
Installation Instructions

C3. CHECK BLOWER MOTOR ORIENTATION

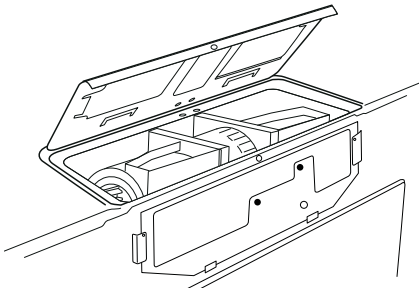
- 1 The blower fan blade opening should be facing the front of the microwave. If the fan opening is already facing the front of the microwave, skip to Step C5. Otherwise, continue to Step C4 to adjust the blower orientation.

C4. ADAPTING MICROWAVE BLOWER FOR RECIRCULATION

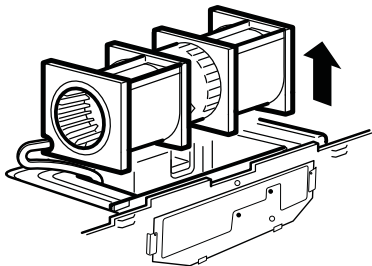
- 1 Remove and save screws that holds blower motor to microwave oven.



- 2 Open the blower door by lifting it up at the back of the microwave oven.

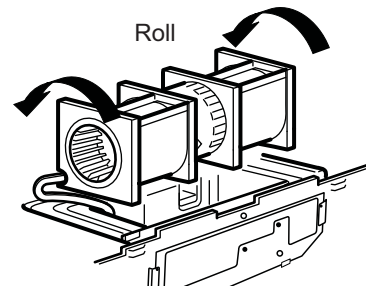
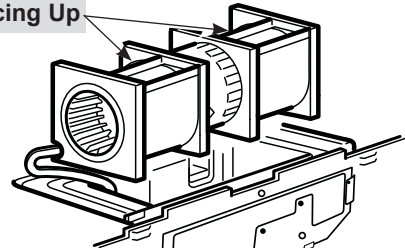


- 3 Carefully pull out the blower unit. The wires will extend far enough to allow you to adjust the blower unit.

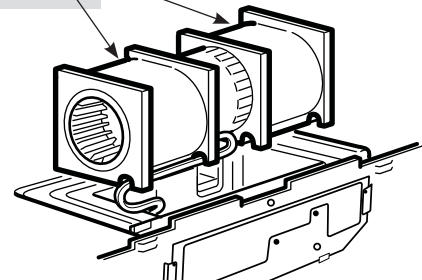


- 4 Roll the blower unit 90° so that fan blade openings are facing toward the front of the microwave.

BEFORE: Fan Blade Openings Facing Up



AFTER: Fan Blade Openings Facing Forward

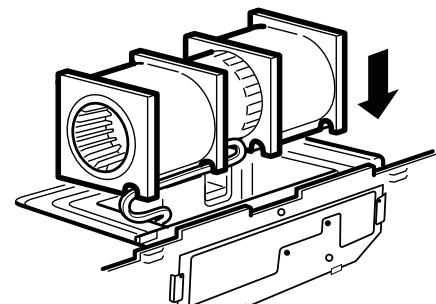


NOTE: Make sure wires remain routed in the grooves of the motor frame.

- 5 Place the blower unit back into the opening.

CAUTION

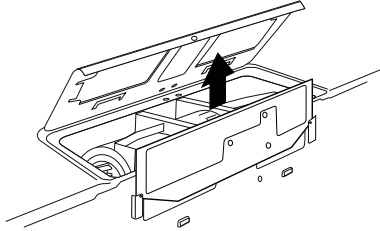
Do not pull or stretch the blower unit wiring. Make sure the wires are not pinched.



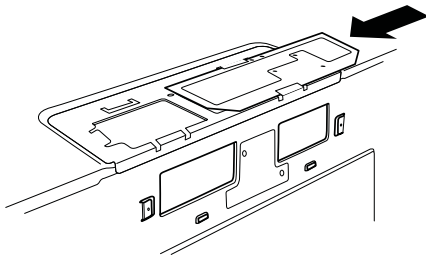
Installation Instructions

C4. ADAPTING MICROWAVE BLOWER FOR RECIRCULATION (cont.)

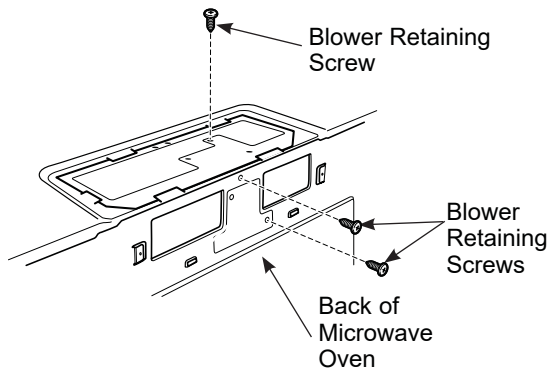
- 6 Remove the metal vent fan cover on the back of the microwave by sliding it up.



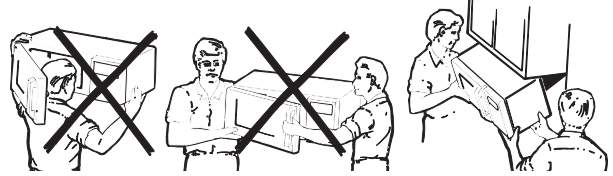
- 7 Close the blower door. Slide blower shield onto the top of the blower door opening.



- 8 Secure the blower to the microwave using the blower retaining screws from Step 1.



C5. MOUNT THE MICROWAVE OVEN



CAUTION FOR EASIER INSTALLATION AND PERSONAL SAFETY, WE RECOMMEND THAT TWO PEOPLE INSTALL THIS MICROWAVE OVEN.

IMPORTANT: Do not grip or use handle during installation.

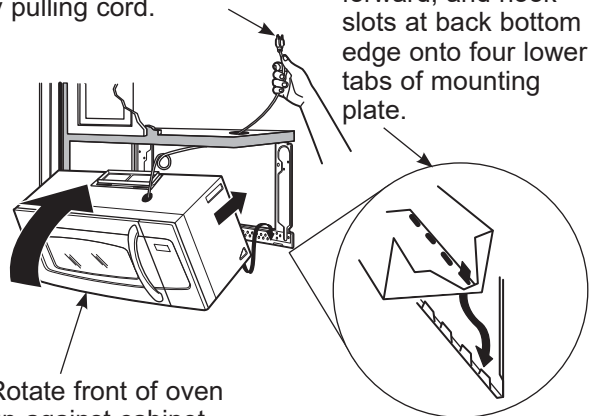
NOTE: If your cabinet is metal, use the nylon grommet around the power cord hole to prevent cutting of the cord.

NOTE: We recommend using filler blocks if the cabinet front hangs below the cabinet bottom shelf.

IMPORTANT: If filler blocks are not used, case damage may occur from overtightening screws.

NOTE: When mounting the microwave oven, thread power cord through hole in bottom of top cabinet. Keep it tight throughout Steps 1–3. Do not pinch cord or lift oven by pulling cord.

- 1 Lift microwave, tilt it forward, and hook slots at back bottom edge onto four lower tabs of mounting plate.

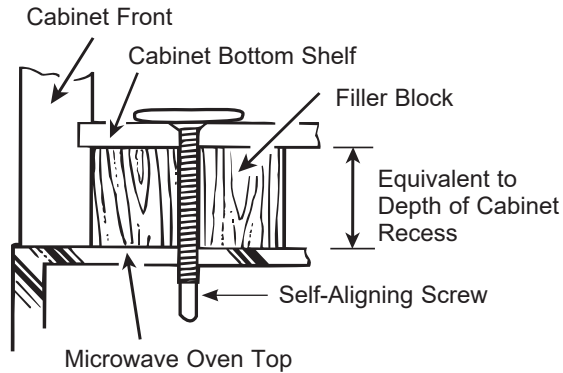


- 2 Rotate front of oven up against cabinet bottom.

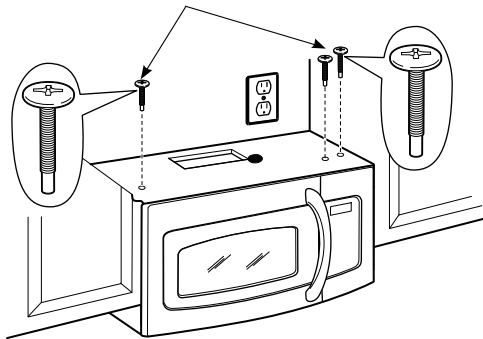
Installation Instructions

C5. MOUNT THE MICROWAVE OVEN (cont.)

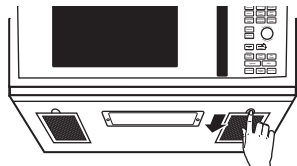
- 3 Insert a self-aligning screw through top center cabinet hole. Temporarily secure the oven by turning the screw at least **two full turns** after the threads have engaged. (It will be completely tightened later.) **Be sure to keep power cord tight. Be careful not to pinch the cord, especially when mounting flush to bottom of cabinet.**



- 4 Attach the microwave oven to the top cabinet.
- 5 Insert 3 self-aligning screws through outer top cabinet holes. Turn two full turns on each screw.



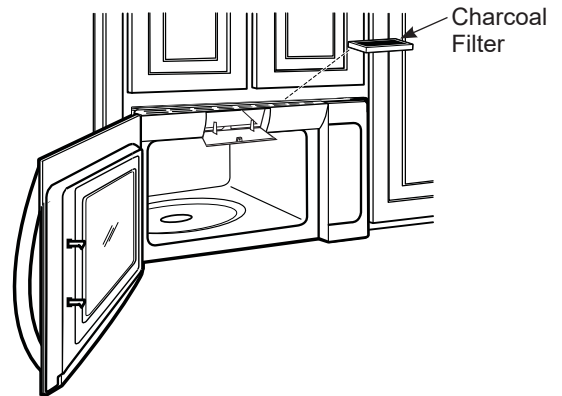
- 6 Tighten the outer three screws to the top of the microwave oven. (While tightening screws, hold the microwave oven in place against the wall and the top cabinet.)
- 7 Install grease filter. See the Owner's Manual packed with the microwave.



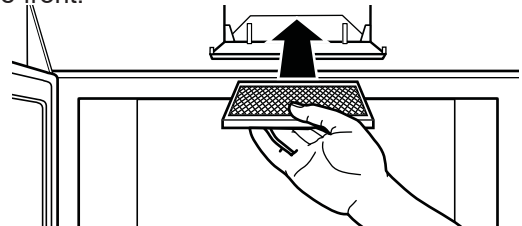
C6. CHARCOAL FILTER

A charcoal filter is installed in all units. Follow the steps below to check the filter.

- 1 Open the filter door by pushing down 2 buttons on the top of the microwave just above the filter door.
- 2 Push the filter at the bottom until it comes free of the locking tabs. Slide the filter down and out.



- 3 Install the charcoal filter. When properly installed, the wire mesh of the filter should be visible from the front.



Insert mesh-side up

- 4 Close the door.

Installation Instructions

BEFORE YOU USE YOUR MICROWAVE

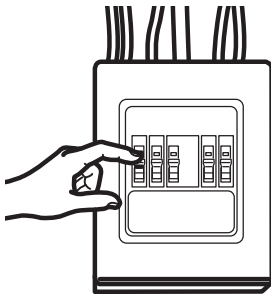
1. Make sure the microwave oven has been installed according to instructions.



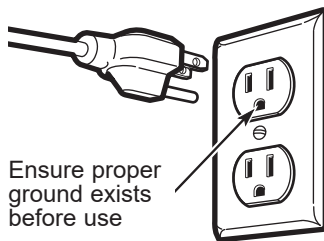
2. Remove all packing material from the microwave oven.

3. Install turntable and ring in cavity.

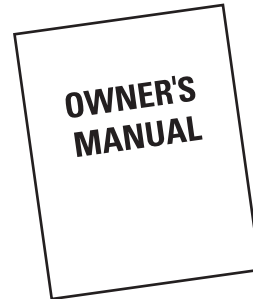
4. Replace house fuse or turn breaker back on.



5. Plug power cord into a dedicated 15- to 20-amp electrical outlet.



6. Read the Owner's Manual.



7. KEEP INSTALLATION INSTRUCTIONS FOR THE LOCAL INSPECTOR'S USE.



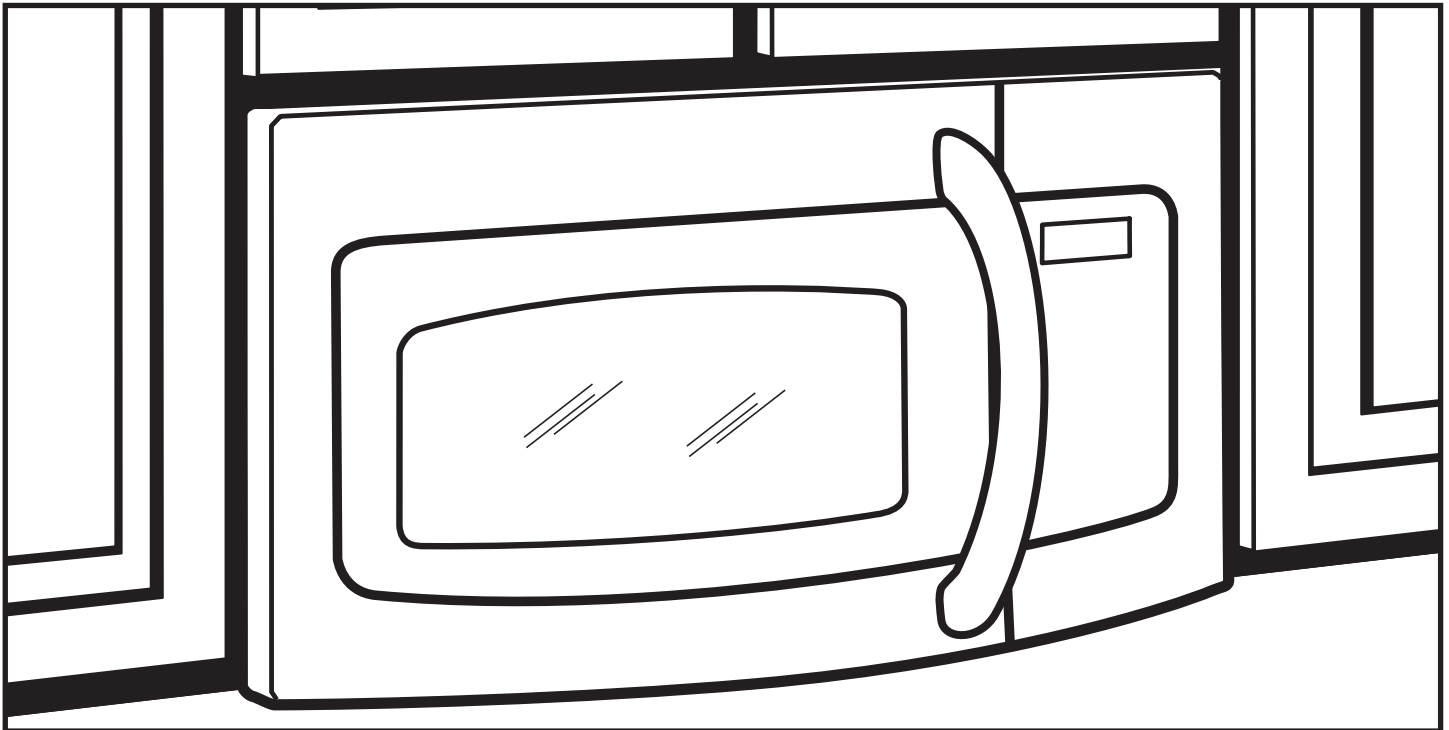
Instrucciones de instalación

Horno microondas para colocar encima de la estufa

ANTES DE COMENZAR

Lea estas instrucciones por completo y con detenimiento.

- **IMPORTANTE** – Guarde estas instrucciones para el uso del inspector local.
- **IMPORTANTE** – Cumpla con todos los códigos y ordenanzas gubernamentales.
- Nota para el instalador – Asegúrese de dejar estas instrucciones con el consumidor.
- Nota para el consumidor – Guarde estas instrucciones para futura referencia.
- Nivel de destrezas – La instalación de este aparato requiere de destrezas básicas de mecánica y electricidad.
- La instalación apropiada es responsabilidad del instalador.
- La falla del producto debido a una instalación inapropiada no está cubierta por la garantía.



**LEA CUIDADOSAMENTE.
GUARDE ESTAS INSTRUCCIONES.**

Instrucciones de instalación

CONTENIDO

Información general

Instrucciones de seguridad importantes	3
Requisitos eléctricos	3
Campana de escape	4, 5
Daños – Envío / Instalación	6
Partes incluidas	6
Herramientas que necesitará	7
Espacio de montaje	7

Guía de instalación paso por paso

Cómo colocar el plato de montaje	8–10
Cómo remover el plato de montaje	8
Cómo encontrar los postes de viga en la pared	8
Cómo determinar la localización de las placas de la pared	9
Cómo alinear la placa de la pared	10

Tipos de instalación

A Escape superior exterior	12–15
Cómo adherir la placa de montaje a la pared	12
Preparación del gabinete superior	13
Controle la Orientación del Motor del Calefactor	13
Adaptación del Calefactor para la Ventilación Exterior	13, 14
Cómo inspeccionar si la operación del regulador de tiro es apropiada	14
Cómo montar el horno microondas	14, 15
Cómo ajustar el adaptador de escape	15
Cómo conectar la red de conductos	15

B Escape posterior externo

Cómo preparar la pared posterior para el escape posterior exterior	16
Cómo adherir el plato de montaje a la pared	16, 17
Cómo preparar el gabinete superior	17
Cómo adaptar el calefactor del microondas para el escape posterior exterior	17, 18
Cómo montar el horno microondas	19

C Recirculación

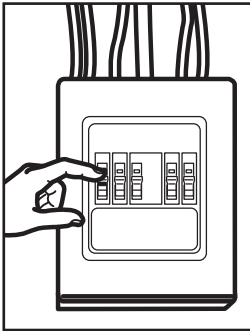
Cómo adherir el plato de montaje a la pared	20
Cómo preparar el gabinete superior	20
Controle la Orientación del Motor del Calefactor	21
Cómo adaptar el calefactor del microondas para la recirculación	21, 22
Cómo montar el horno microondas	22, 23
Cómo instalar el filtro de carbonilla	23

Antes de comenzar a usar su horno microondas 24

Instrucciones de instalación

INSTRUCCIONES DE SEGURIDAD IMPORTANTES

Un electricista calificado debe realizar una verificación de continuidad de conexión a tierra en el tomacorriente de pared antes de comenzar la instalación para garantizar que la caja de distribución tenga una adecuada conexión a tierra. Si no cuenta con una adecuada conexión a tierra, o si el tomacorriente de pared no cumple con los requisitos eléctricos indicados (bajo REQUISITOS ELÉCTRICOS), debe contratarse un electricista calificado para corregir las deficiencias.



⚠ ADVERTENCIA

Riesgo de descarga eléctrica. Puede provocar una lesión o la muerte: Quite el fusible o el interruptor de circuitos de la vivienda antes de comenzar la instalación para evitar una lesión por descarga grave o fatal.



Asegúrese de que existe una conexión a tierra apropiada antes del uso

⚠ ADVERTENCIA

Riesgo de descarga eléctrica. Puede provocar una lesión o la muerte: ESTE APARATO DEBE CONTAR CON UNA ADECUADA CONEXIÓN A TIERRA para evitar una descarga grave o fatal.

El cable eléctrico de este aparato está equipado con un enchufe de tres

patas (con conexión a tierra), lo cual requiere que el mismo encaje con un tomacorriente para tres patas (con conexión a tierra) de pared para minimizar la posibilidad de descargas eléctricas.

Donde haya un tomacorriente de pared estándar de dos espigas, resulta indispensable cambiarlo por un tomacorriente de pared de tres espigas con adecuada conexión a tierra, instalado por un electricista calificado.

INSTRUCCIONES DE SEGURIDAD IMPORTANTES

⚠ ADVERTENCIA Riesgo de descarga eléctrica. Puede provocar una lesión o la muerte: Bajo NINGUNA circunstancia corte, deforme o quite las clavijas del cable de energía. No utilice un cable de extensión. No cumplir con esta indicación puede provocar un incendio.

REQUISITOS ELÉCTRICOS

La clasificación del producto es de 120 vatios CA (AC), 60 hertz, 15 amperios y 1.75 kilovatios. Este producto debe estar conectado a un circuito de suministro del voltaje y frecuencia apropiados. El tamaño del alambre debe conformarse a los requisitos del National Electric Code o al código local en efecto para este índice de kilovatios. El cable eléctrico de alimentación y el interruptor deberán llevarse a un tomacorriente único conectado a tierra de 15 a 20 amperios. La caja del tomacorriente deberá estar localizada en el gabinete encima del horno. La caja del tomacorriente debe ser instalada por un electricista calificado y debe conformarse al National Electrical Code o al código local en efecto.

⚠ PRECAUCIÓN

En pos de la seguridad personal, la superficie de montaje debe ser capaz de soportar la carga del gabinete, además del peso adicional (de 63 a 85 libras) de este producto, más las cargas adicionales del horno de hasta 50 libras o un peso total entre 113 y 135 libras.

⚠ PRECAUCIÓN

En pos de la seguridad personal, este producto no puede ser instalado en sistemas de gabinetes tales como los llamados "islas" o "penínsulas." Éste debe ser montado tanto a un gabinete superior como a una pared.

⚠ PRECAUCIÓN

Para evitar el riesgo de una lesión personal (en la espalda u otras lesiones debido a peso excesivo del horno microondas) o daños a la propiedad, hacen falta dos personas para instalar este horno microondas.

Instrucciones de instalación

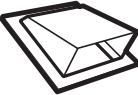


CAMPANA DE ESCAPE

NOTA: Lea las siguientes dos páginas solamente si planea ventilar el escape hacia el exterior. Si por el contrario planea recircular el aire de vuelta hacia el salón, continúe en la página 11.

ESCAPE SUPERIOR EXTERNO (EJEMPLO SOLAMENTE)

La siguiente tabla describe un ejemplo de una posible instalación de red de conductos.

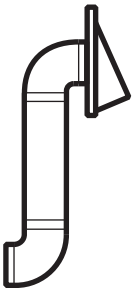


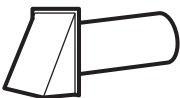


PARTES DEL CONDUCTO		LONGITUD EQUIVALENTE	x	NÚMERO USADO	=	LONGITUD
	Tapa del techo	24 pies	x	(1)	=	24 pies
	Conducto recto de 12 pies (redondo de 6")	12 pies	x	(1)	=	12 pies
	Adaptador de transición de rectángulo a redondo*	5 pies	x	(1)	=	5 pies
La longitud de las partes de los conductos equivalentes está basada en pruebas reales y reflejan los requisitos para lograr una buena ventilación con cualquier campana de escape. Longitud total =						41 pies

* **IMPORTANTE:** Si se usa un adaptador de transición de rectángulo a redondo, las esquinas del fondo del regulador de tiros deberán cortarse para que encajen, usando las tijeras de corte, para permitir el movimiento libre del regulador de tiros.

ESCAPE POSTERIOR EXTERNO (EJEMPLO SOLAMENTE)

La siguiente tabla describe un ejemplo de una posible instalación de red de conductos.



PARTES DEL CONDUCTO		LONGITUD EQUIVALENTE	x	NÚMERO USADO	=	LONGITUD
	Tapa de pared	40 pies	x	(1)	=	40 pies
	Conducto recto de 3 pies (rectangular de 3¼" x 10")	3 pies	x	(1)	=	3 pies
	Codo de 90°	10 pies	x	(2)	=	20 pies
La longitud de las partes de los conductos equivalentes está basada en pruebas reales y reflejan los requisitos para lograr una buena ventilación con cualquier campana de escape. Longitud total =						63 pies

NOTA: Para el escape posterior, se debe tener cuidado al alinear el escape entre los espacios de los postes de viga de la pared, o la pared debería ser preparada en el momento de su construcción dejando suficiente espacio entre los postes de viga de la pared para acomodar el escape.

Instrucciones de instalación

NOTA: Si usted necesita instalar conductos, tenga pendiente que la longitud total del conducto rectangular de 3¼" x 10" o el conducto redondo de 6" de diámetro no debe **sobrepasar 140 pies equivalentes**.

La ventilación externa requiere un CONDUCTO DE CAMPANA DE ESCAPE. Lea lo siguiente cuidadosamente.

NOTA: Es importante que la ventilación sea instalada usando la ruta más directa y con la menor cantidad de codos posible. Esto asegura la ventilación del escape y ayuda a prevenir bloqueos. **También, cerciőrese de que el regulador de tiro pende libremente y nada bloquea los conductos.**

Conexiones de escape:

La campana de escape ha sido diseñada para encajar con un conducto rectangular de 3¼" x 10" estándar.





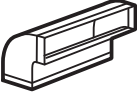
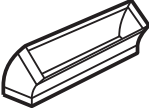
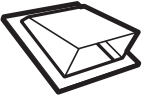

Si un conducto redondo es necesario, se debe usar un adaptador de transición de rectangular a redondo.

No use un conducto menor de 6" de diámetro.

Longitud máxima del conducto:

Para lograr un movimiento satisfactorio del aire, la longitud total del conducto rectangular de 3¼" x 10" o el conducto redondo de 6" de diámetro no debe sobrepasar 140 pies equivalentes.

Los codos, transiciones, paredes y tapas de techo, etc., presentan resistencia adicional al flujo de aire y son equivalentes a una sección de conducto recto el cual es más largo que su tamaño físico real. Cuando calcule la longitud total del conducto, agregue las longitudes equivalentes de todas las transiciones y adaptadores, más la longitud de todas las secciones de conducto rectas. La tabla más adelante muestra cómo puede calcular la longitud aproximada de la red de conductos usando pies aproximados de longitudes equivalentes de algunos conductos típicos.

PARTES DE CONDUCTO		LONGITUD EQUIVALENTE	x	NÚMERO USADO	=	LONGITUD EQUIVALENTE
	Adaptador de transición de rectángulo a redondo*	5 pies	x	()	=	pies
	Tapa de pared	40 pies	x	()	=	pies
	Codo de 90°	10 pies	x	()	=	pies
	Codo de 45°	5 pies	x	()	=	pies
	Codo de 90°	25 pies	x	()	=	pies
	Codo de 45°	5 pies	x	()	=	pies
	Tapa de techo	24 pies	x	()	=	pies
	Conducto recto de 6" redondo o rectangular de 3¼" x 10"	1 pies	x	()	=	pies
Total red de conductos =						pies



* **IMPORTANTE:** Si se usa un adaptador de transición de rectángulo a redondo, las esquinas del fondo del regulador de tiros deberán ser cortadas para que encajen, usando las tijeras de corte, para permitir el movimiento libre del regulador de tiros.

La longitud de las partes de conductos equivalentes está basada en pruebas reales y reflejan los requisitos para lograr una buena ventilación con cualquier campana de escape.


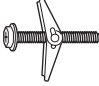


Instrucciones de instalación

DA—OS – ENVÍO / INSTALACIÓN

- Si la unidad se daña durante el envío, devuelva la unidad al almacén donde la adquirió para su reparación o reemplazo.
- Si el cliente daña la unidad, la reparación o el reemplazo es responsabilidad del cliente.
- Si el instalador daña la unidad (si no es el cliente), la reparación o reemplazo se debe hacer por medio de un arreglo entre el cliente y el instalador.

PARTES INCLUIDAS

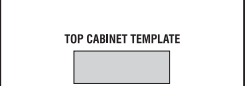
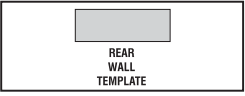

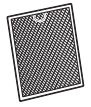
PAQUETE DE ELEMENTOS

PARTE		CANTIDAD
	Tornillos de madera (1/4" x 2")	2
	Tornillos basculantes (y tuercas de mariposa) (1/4" x 3")	2
	Tornillos de máquina autoalineables (1/4"-28 x 3 1/4")	3
	Arandela aislante de nilón (para gabinetes metálicos)	1

Usted encontrará los elementos de instalación en un paquete junto con la unidad. Inspeccione para cerciorarse de que tiene todas las partes.

NOTA: Se incluyen algunas partes adicionales.

PARTES ADICIONALES

PARTE		CANTIDAD
	Plantilla para el gabinete superior	1
	Plantilla para la pared posterior	1
	Instrucciones de instalación	1
	Filtro de grasa empacados por separado	2

Instrucciones de instalación

HERRAMIENTAS QUE NECESITARÁ



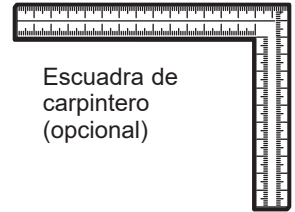
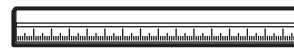
Destornilladores de estrella #1 y #2



Lápiz



Regla recta y cinta métrica



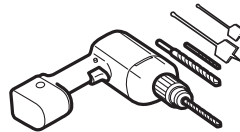
Escuadra de carpintero (opcional)



Tijeras para cortar latón (para cortar el regulador de tiro, si es necesario)



Tijeras (para cortar la plantilla, si es necesario)



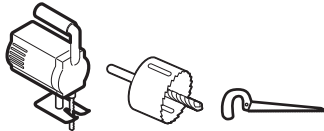
Taladro eléctrico con brocas de $\frac{3}{16}$ ", $\frac{1}{2}$ " y $\frac{5}{8}$ "



Bloques de relleno o pedazos de madera, si son necesarios para rellenar el gabinete (usados solamente en la instalación de gabinetes apoyados)



Guantes



Sierra (de sable, agujero, o de ojo de cerradura)



Detector de postes de viga o



un martillo (opcional)



Gafas de seguridad

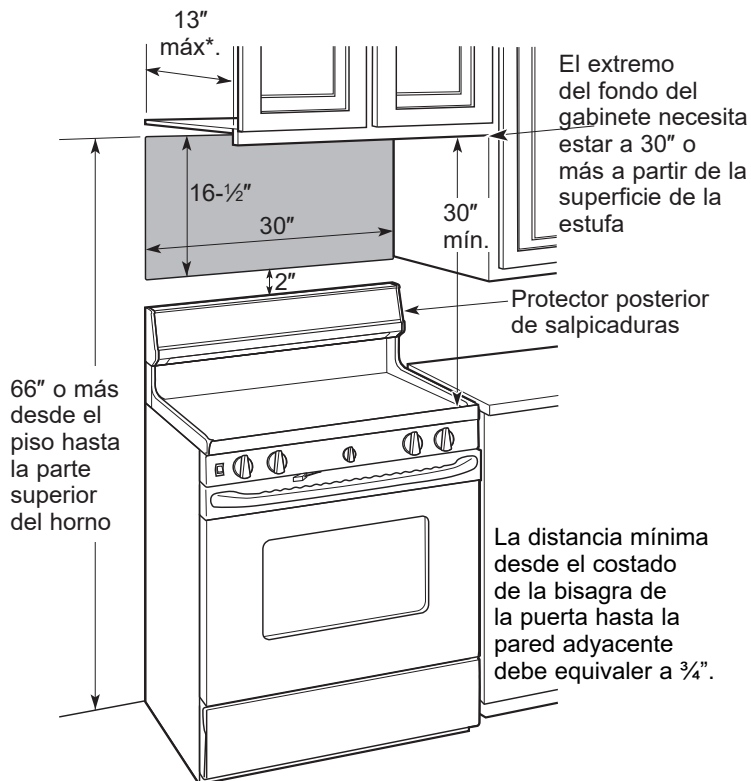


Nivel



Cinta de conductos o cinta adhesiva protectora

ESPACIO DE MONTAJE



NOTAS:

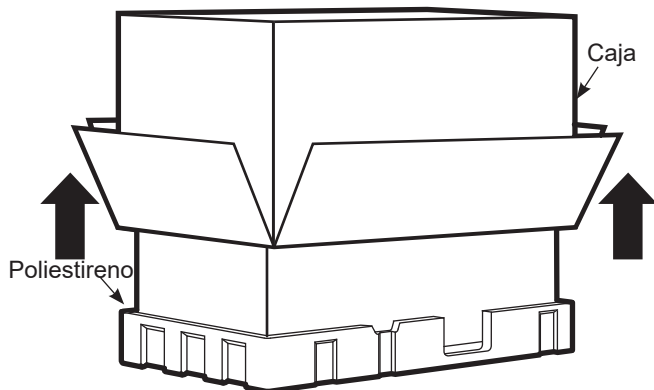
- El espacio entre los gabinetes debe ser de 30" de ancho y debe estar libre de obstrucciones.
- Si el espacio entre los gabinetes es mayor de 30", un "Filler Panel Kit" podría ser necesario para rellenar las brechas entre el horno y los gabinetes. Su Manual del Propietario contiene el número de kit para su modelo.
- Este horno microondas es para ser instalado por encima de estufas hasta 36" de ancho.
- Si usted se dispone a ventilar su horno microondas hacia el exterior, ver la Sección de Campana de Escape para la preparación del conducto de escape.
- Cuando se instale el horno microondas debajo de gabinetes de fondos lisos y planos, tenga cuidado de seguir cuidadosamente las instrucciones en la plantilla del gabinete superior para el espacio de tolerancia del cable eléctrico.
- Modelos con ventilación superior: No permite que los gabinetes u otros objetos obstruyan el flujo de aire del ventilador.
- * Máx. de 13": para una instalación estándar, una profundidad del gabinete de 15" requiere pasos adicionales utilizando el kit de instalación adicional JX15BUMPWW/BB.

Instrucciones de instalación

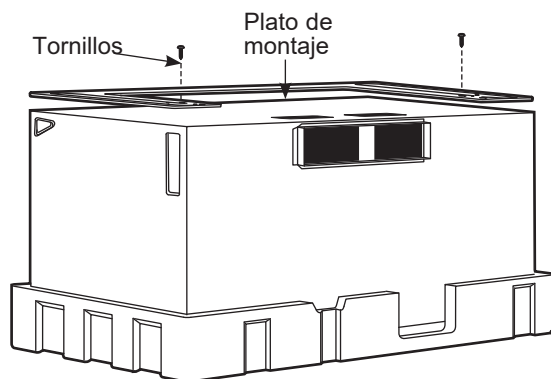
1 CÓMO COLOCAR EL PLATO DE MONTAJE

A. CÓMO REMOVER EL HORNO MICROONDAS DEL EMBALAJE / CÓMO REMOVER EL PLATO DE MONTAJE

- 1 Remueva las instrucciones de instalación, los filtros, la bandeja de cristal, y la bolsa pequeña del equipo. No remueva el protector frontal de espuma de poliestireno del horno.
- 2 Doble totalmente hacia atrás las cuatro tapas de cartón hacia los lados opuestos de la caja. Entonces descubra el horno y el cartón en la parte superior. El horno debería estar descansando sobre la espuma de poliestireno.

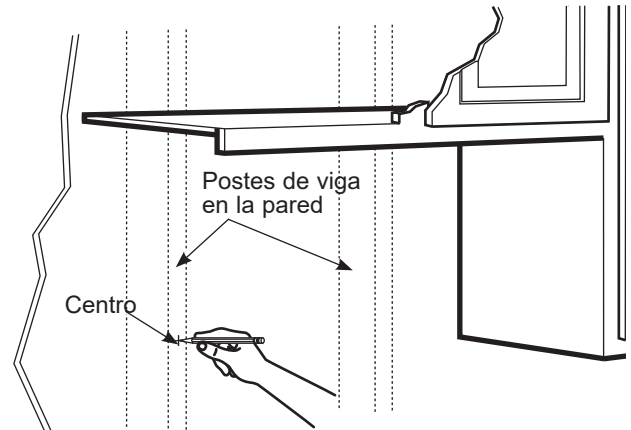


- 3 Tire del cartón hacia arriba y lejos del horno.
- 4 Remueva y deseche debidamente las bolsas de plástico.



- 5 Remueva los tornillos frontales de las placas de la montura. Estas placas serán utilizadas como la plantilla trasera en la pared y para montar. Puede desechar estos tornillos.

B. CÓMO ENCONTRAR LOS POSTES DE VIGA EN LA PARED



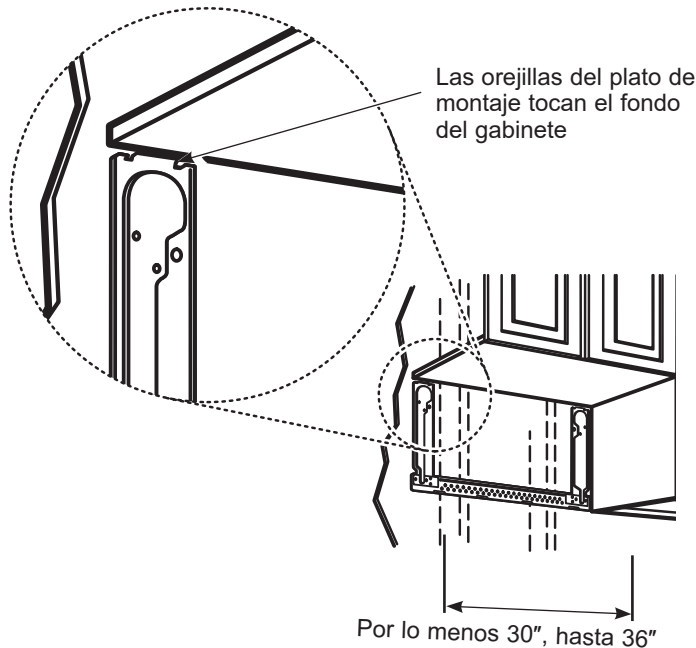
- 1 Encuentre los postes, usando uno de los métodos siguientes:
 - A. Use un detector de postes – un dispositivo magnético que localiza clavos.
 - B. Use un martillo para golpear ligeramente a través de la superficie de montaje hasta encontrar un sonido sólido. Esto indicará que hay un poste de viga en ese lugar.
- 2 Después de localizar el poste o los postes de viga, encuentre el centro mediante el análisis de la pared usando un clavo pequeño para darse cuenta de dónde están los bordes del poste. Luego coloque una marca en el centro de los bordes. El centro de cualquier poste adyacente deberá ser entre 16" ó 24" desde esta marca.
- 3 Trace una línea hacia abajo indicando el centro del poste.

EL HORNO MICROONDAS DEBE CONECTARSE POR LO MENOS A UN POSTE DE LA PARED.

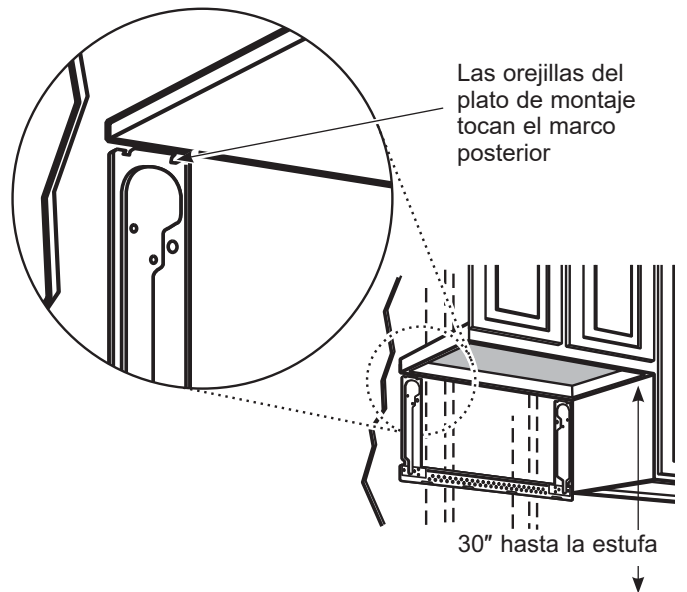
Instrucciones de instalación

C. CÓMO DETERMINAR LA LOCALIZACIÓN DEL PLATO DE MONTAJE DEBAJO DE SU GABINETE

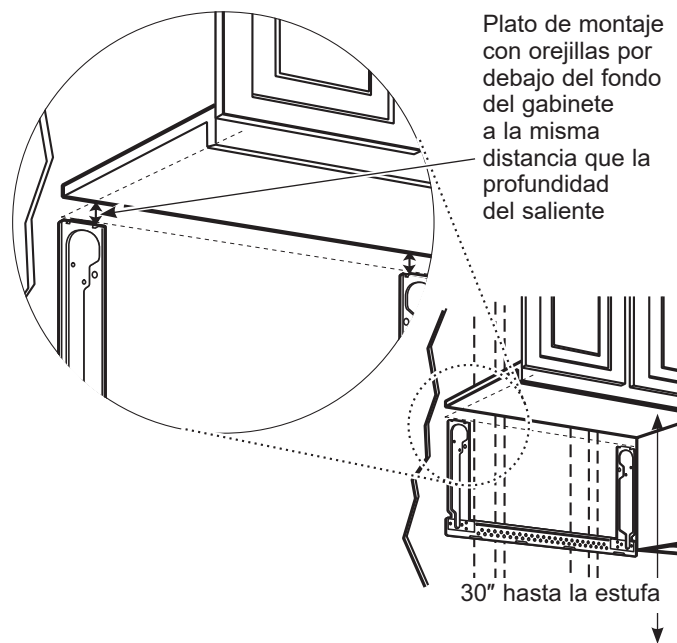
Posición del plato – debajo de gabinetes de fondo plano



Posición del plato – debajo de gabinetes de fondo apoyado en un marco



Posición del plato – debajo de gabinetes de fondo apoyado con frente saliente



Sus gabinetes podrían tener marcos de decoración que interfieran con la instalación del horno microondas. Remueva los marcos decorativos para instalar el horno apropiadamente y para hacer que quede nivelado.

EL HORNO MICROONDAS DEBE QUEDAR NIVELADO.

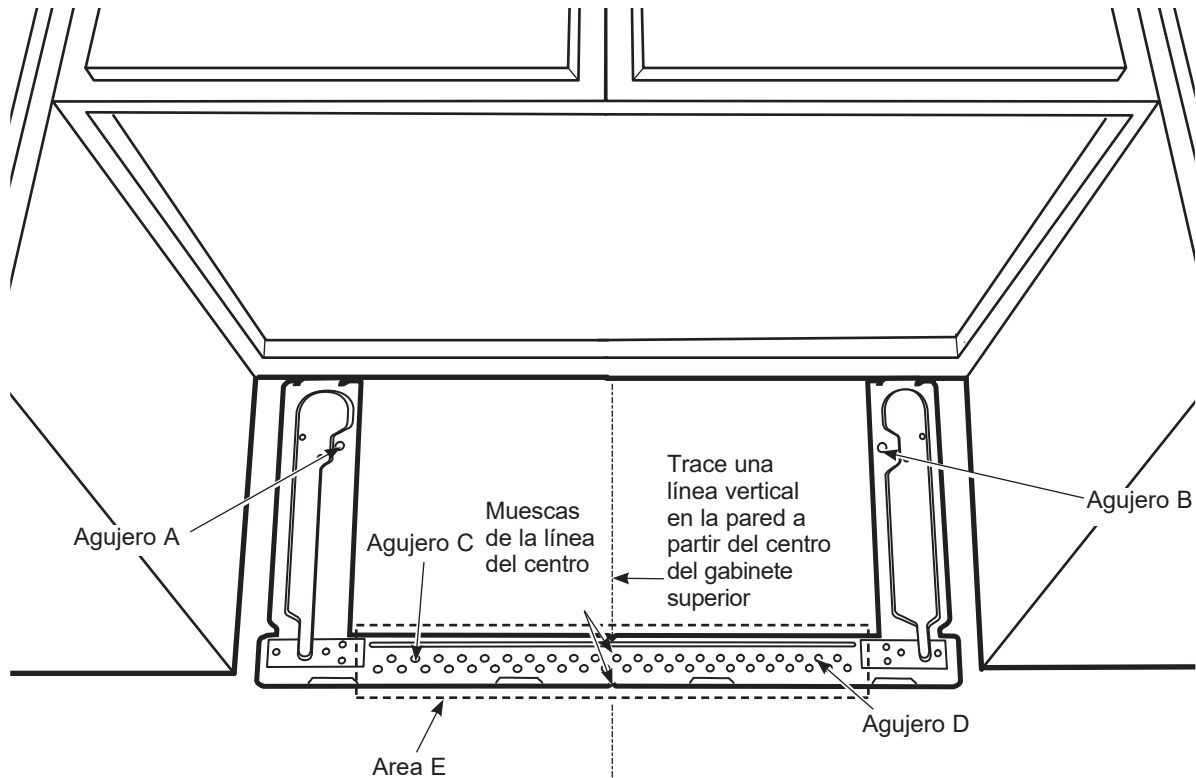
Use un nivel para cerciorarse de que el fondo del gabinete está nivelado.

Si los gabinetes tienen un saliente frontal solamente, sin marco posterior o lateral, instale el plato de montaje a la misma distancia de la profundidad del saliente. Este mantendrá el horno microondas nivelado.

- 1 Mida la profundidad interna del frente del saliente.
- 2 Trace una línea horizontal en la pared posterior a una distancia debajo del fondo del gabinete igual a la profundidad interna del frente saliente.
- 3 Para este tipo de instalación con saliente frontal solamente, alinee las orejillas de montaje con la línea horizontal, sin tocar el fondo del gabinete como se describió en el Paso D.

Instrucciones de instalación

D. CÓMO ALINEAR EL PLATO DE MONTAJE SOBRE LA PARED



⚠ PRECAUCIÓN Use guantes de protección para evitar cortaduras en sus dedos con los extremos filosos.

- 1 Trace una línea vertical en la pared en el centro del espacio de 30" de ancho.
- 2 Use el plato de montaje **como la plantilla** para la pared posterior. Coloque el plato de montaje en la pared, cerciorándose de que las orejillas se encuentran **tocando el fondo del gabinete o la línea horizontal trazada en el Paso C para gabinetes con saliente frontal**. Alinee la muesca y línea del centro en el fondo del plato de montaje con la línea de centro en la pared.
- 3 Mientras sostiene el plato de montaje con una mano, trace círculos en la pared en los agujeros A, B, C y D (ver la ilustración anterior / la placa real está marcada con flechas). **Deben usarse cuatro agujeros para el montaje.**

NOTA: Los agujeros C y D van en el interior del área E. Si ni el C ni el D están en un poste de viga, encuentre un poste en algún otro lugar en el área E y marque un quinto círculo para alinearse con el poste. Es importante usar **por lo menos un tornillo de madera montado firmemente en un poste** para apoyar el peso del horno.

Aparte el plato de montaje.

⚠ ADVERTENCIA Riesgo de descarga eléctrica. Puede provocar lesiones o la muerte. Tenga cuidado de **no perforar el cableado eléctrico ubicado dentro de las paredes o gabinetes.**

- 4 Perfore agujeros en los círculos. Si hay un poste de viga, perfore un agujero de $\frac{3}{16}$ " para los tornillos de madera. Para los agujeros que no quedaron alineados con el poste de viga, perfore un agujero de $\frac{5}{8}$ " para los tornillos basculantes. Perfore dos agujeros de $\frac{5}{8}$ " para los tornillos con resortes.

NOTA: TODAVÍA NO MONTE EL PLATO.

Instrucciones de instalación

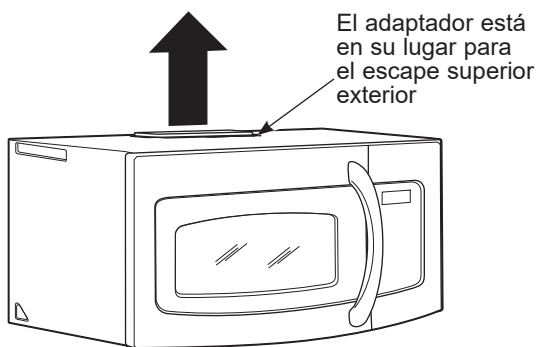
2 TIPOS DE INSTALACIÓN (Escoja A, B o C)

Este horno microondas está diseñado para adaptarse a los siguientes tres tipos de ventilación:

- A. Escape superior exterior (Conducto vertical)**
- B. Escape posterior exterior (Conducto horizontal)**
- C. Recirculación (Sin conducto de ventilación)**

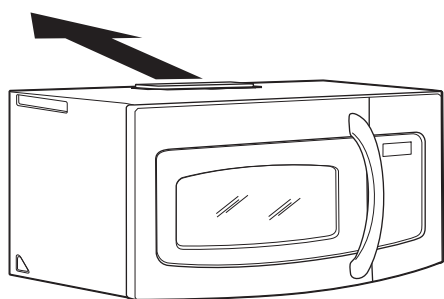
NOTA: Este horno microondas es enviado ya ensamblado para un escape superior exterior (excepto para modelos enviados con escape de recirculación). Seleccione el tipo de ventilación requerido para su instalación y proceda a tal sección.

A ESCAPE SUPERIOR EXTERIOR (CONDUCTO VERTICAL)



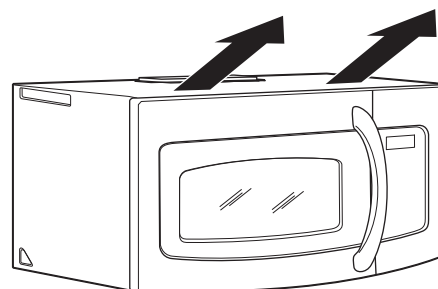
Ver página 12

B ESCAPE POSTERIOR EXTERIOR (CONDUCTO HORIZONTAL)



Ver página 16

C RECIRCULACIÓN (SIN CONDUCTO DE VENTILACIÓN)



Ver página 20

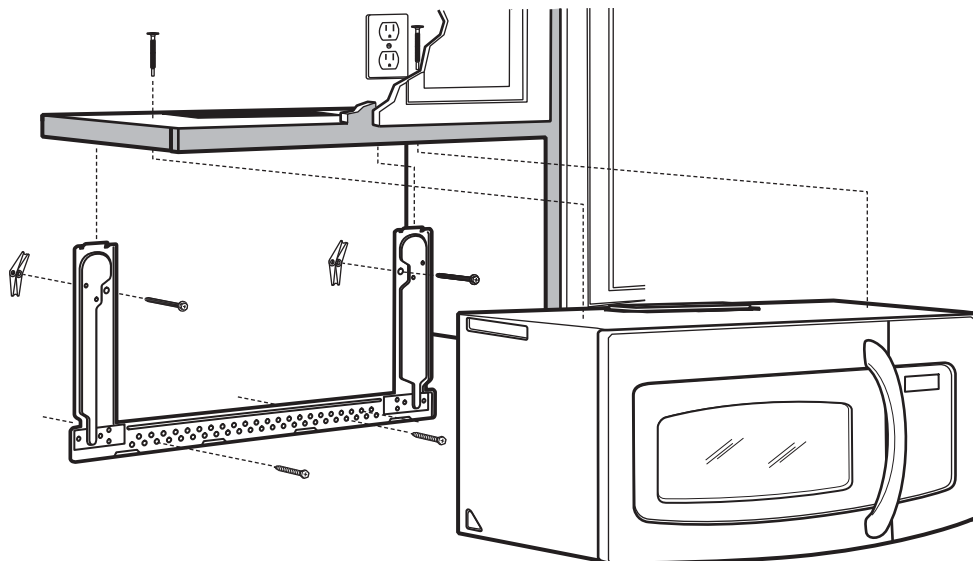
Un Kit de accesorios de filtro de carbonilla es necesario para el sistema sin ventilación. (Consulte su Manual del Propietario para obtener el número del kit.)

Instrucciones de instalación

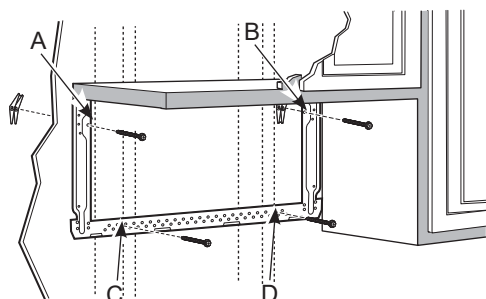
A ESCAPE SUPERIOR EXTERIOR (Conducto vertical)

PERSPECTIVA GENERAL DE LA INSTALACIÓN

- A1. Cómo adherir el plato de montaje a la pared
- A2. Prepare el gabinete superior
- A3. Controle la Orientación del Motor del Calefactor
- A4. Adapte el Calefactor para la Ventilación Externa
- A5. Inspeccione la operación del regulador de tiro
- A6. Monte el horno microondas
- A7. Ajuste el adaptador de escape
- A8. Conecte el conducto



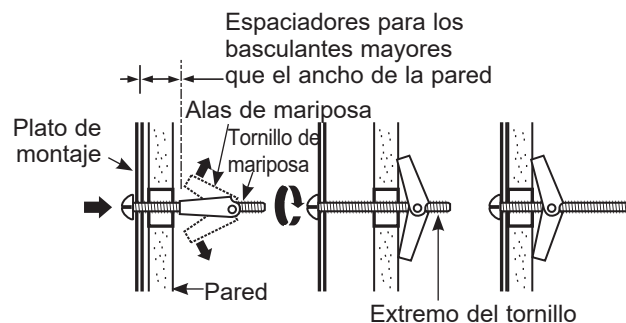
A1 CÓMO ADHERIR LA PLACA DE MONTAJE A LA PARED



Pegue el plato a la pared usando los tornillos basculantes. Por lo menos un tornillo de madera debe ser usado para pegar el plato al poste de la pared. Las ubicaciones recomendadas sobre la placa de montaje se indican en A, B, C y D.

- 1 Remueva las mariposas del basculante de los tornillos.
- 2 Inserte los tornillos en el plato de montaje a través de los agujeros diseñados para ser insertados en la pared de mampostería seca y pegue otra vez las mariposas de $\frac{3}{4}$ " en cada tornillo.

Para usar los tornillos basculantes:



- 3 Coloque el plato de montaje contra la pared e inserte las alas de mariposa en los agujeros de la pared para montar el plato.

NOTA: Antes de apretar los tornillos basculantes y los tornillos de madera, cerciórese de que las orejillas en el plato de montaje toquen el fondo del gabinete cuando son empujadas contra la pared y de que el plato esté centrado apropiadamente debajo del gabinete.

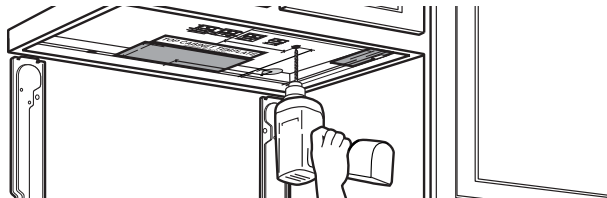
⚠ PRECAUCIÓN Tenga cuidado de evitar pellizcar sus dedos entre la parte posterior del plato de montaje y la pared.

- 4 Apriete todos los tornillos. Tire del plato en dirección opuesta a la pared para ayudar a apretar los tornillos.

Instrucciones de instalación

A2. USE LA PLANTILLA DEL GABINETE SUPERIOR PARA LA PREPARACIÓN DEL GABINETE

Deberá perforar agujeros para los tornillos de apoyo superiores, un agujero suficientemente grande para que el cable eléctrico quepa, y un recorte lo suficientemente grande como para que el adaptador de escape pueda ser introducido.



- Lea las instrucciones sobre la PLANTILLA DEL GABINETE SUPERIOR.
- Péguelo debajo del gabinete superior.
- Taladre los agujeros, siguiendo las instrucciones en la PLANTILLA DEL GABINETE SUPERIOR.

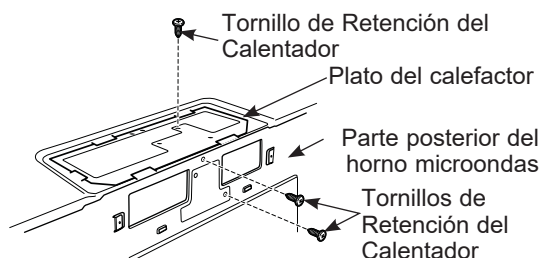
⚠ PRECAUCIÓN Use gafas de seguridad cuando perfore los agujeros en el fondo del gabinete.

A3. CONTROLE LA ORIENTACIÓN DEL MOTOR DEL CALEFACTOR

La abertura de las paletas del ventilador del calefactor debe apuntar hacia la parte superior del horno microondas. Si la abertura del ventilador ya está apuntada hacia la parte superior del horno microondas, vaya directo al Paso A5. De otro modo, continúe con el Paso A4 para ajustar la orientación del motor.

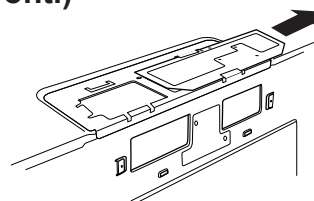
A4. ADAPTACIÓN DEL CALEFACTOR PARA LA VENTILACIÓN EXTERNA

- 1 Retire y guarde los tornillos que sostienen el motor del calefactor al horno microondas.

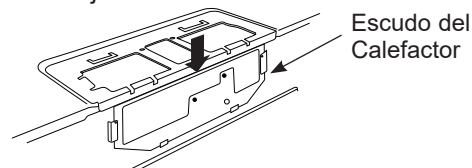


- 2 Retire y guarde el escudo metálico del calefactor en la parte superior del microondas, deslizando el mismo de forma recta.

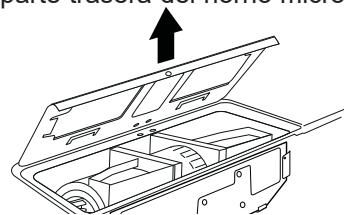
A4. ADAPTACIÓN DEL CALEFACTOR PARA LA VENTILACIÓN EXTERNA (Cont.)



- 3 Adhiera el escudo metálico del calefactor sobre la parte trasera del microondas, deslizando el mismo hacia abajo.

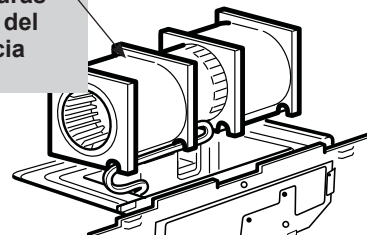


- 4 Abra la puerta del calefactor, levantando el mismo sobre la parte trasera del horno microondas.

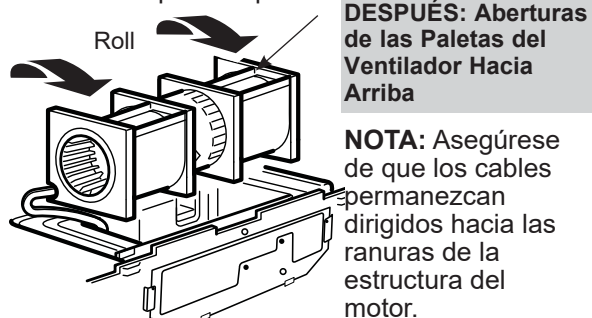


- 5 Con cuidado, empuje hacia usted la unidad del calefactor. Los cables se extenderán lo suficiente como para permitirle ajustar la unidad del calefactor.

ANTES: Aberturas de las Paletas del Ventilador Hacia Arriba



- 6 Haga rodar la unidad del calentador 90°, de modo que las aberturas de las paletas del ventilador enfrenten la parte superior del horno.

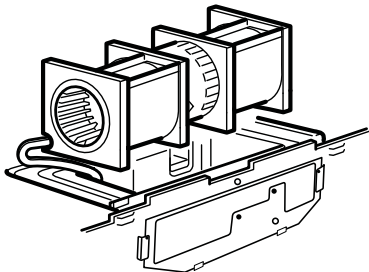


Instrucciones de instalación

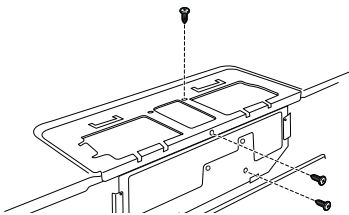
A4. ADAPTACIÓN DEL CALEFACTOR PARA LA VENTILACIÓN EXTERNA (Cont.)

- 7 Vuelva a colocar la unidad del calefactor en la abertura.

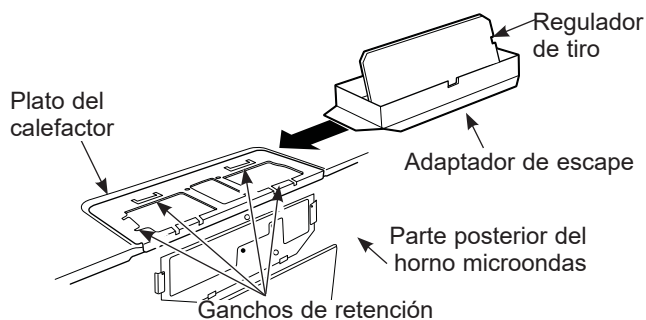
⚠ PRECAUCIÓN No empuje ni extienda el cableado de la unidad del calefactor. Asegúrese de que los cables no posean cortes.



- 8 Cierre la puerta del calefactor. Asegure el calefactor al microondas usando los tornillos del Paso 1.

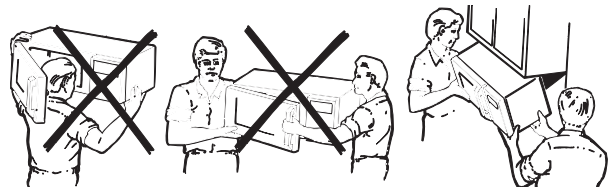


A5. INSPECCIONE LA OPERACIÓN DEL REGULADOR DE TIRO



- Coloque el horno microondas en su posición vertical, con la parte superior hacia arriba.
- **Cerciórese de que remueva la cinta y el regulador de tiro gira fácilmente antes de montar el horno microondas.**
- Deslice el regulador de tiro en su lugar. Asegúrese de que quede bien sujeto a los ganchos de retención.
- Deberá hacer ajustes para asegurarse de que existe alineación apropiada con el sistema de conductos de su casa después de la instalación del horno microondas.

A5. CÓMO MONTAR EL HORNO MICROONDAS



⚠ PRECAUCIÓN PARA OBTENER UNA INSTALACIÓN MÁS FÁCIL Y EN POS DE LA SEGURIDAD PERSONAL, SE RECOMIENDA QUE DOS PERSONAS INSTALEN ESTE HORNO MICROONDAS.

IMPORTANTE: No agarre ni use la manija de la puerta durante la instalación.

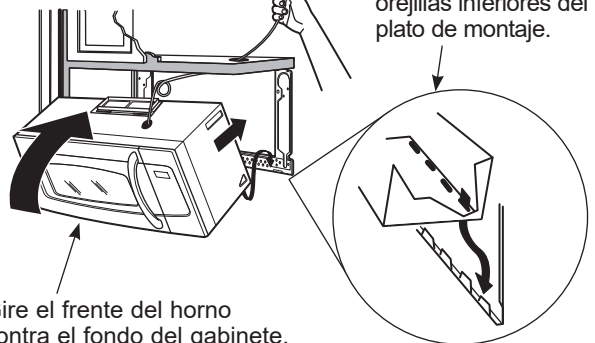
NOTA: Si su gabinete es de metal, use la arandela de nilón alrededor del cable eléctrico para evitar que el mismo sea cortado.

NOTA: Recomendamos el uso de bloques de relleno si el frente del gabinete cuelga por debajo del estante del fondo del gabinete.

IMPORTANTE: Si no se usan bloques de relleno, podrían ocurrir daños por apretar demasiado los tornillos.

NOTA: Cuando se encuentre montando el horno microondas, enrosque el cable eléctrico a través del agujero en el fondo del gabinete superior. Manténgalo tenso a través de los Pasos del 1-3. No pellizque el cable ni tire del horno por el cable.

- 1 Levante el horno microondas, inclínelo hacia adelante, y enganche las ranuras en el extremo inferior posterior en cuatro orejillas inferiores del plato de montaje.



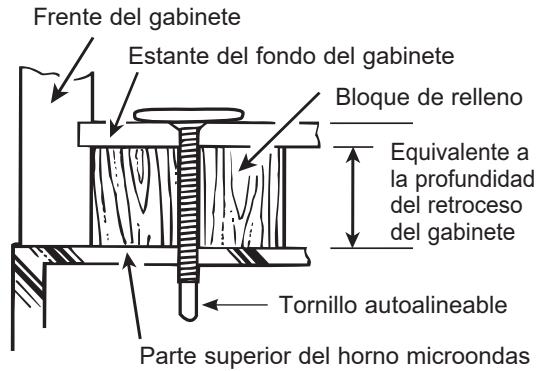
- 2 Gire el frente del horno contra el fondo del gabinete.

- 3 Inserte un tornillo de autoalineación a través del agujero central superior del gabinete. Asegure el horno temporalmente girando el tornillo por lo menos **dos vueltas completas** después de que las roscas hayan agarrado. (Luego quedarán totalmente apretadas). **Cerciórese de mantener el cable eléctrico estirado.**

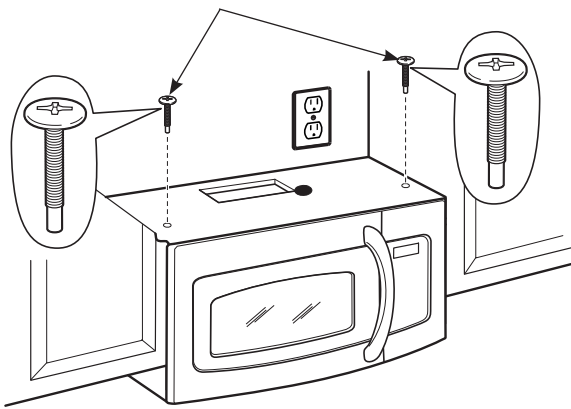
Tenga cuidado de no pellizcar el cable, especialmente cuando se monte al nivel del fondo del gabinete.

Instrucciones de instalación

A6. CÓMO MONTAR EL HORNO MICROONDAS (continuación)



- 4 Pegue el horno microondas a la parte superior del gabinete.
- 5 Inserte 3 tornillos autoalineables a través de los agujeros exteriores superiores del horno. Gire dos vueltas completas en cada tornillo.

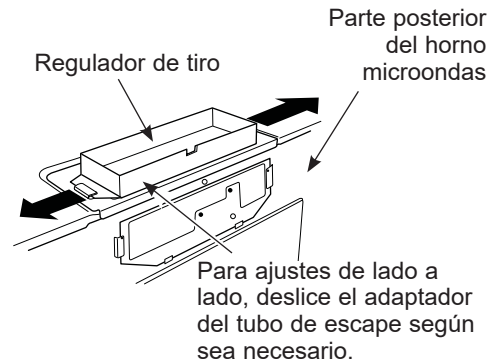


- 6 Apriete los tres tornillos exteriores hacia la parte de arriba del horno microondas. (Mientras aprieta los tornillos, mantenga el horno microondas en su lugar contra la pared y el gabinete superior.)
- 7 Instale el filtro de grasa. Consulte el Manual del Propietario en el sitio web (GEAppliances.com).

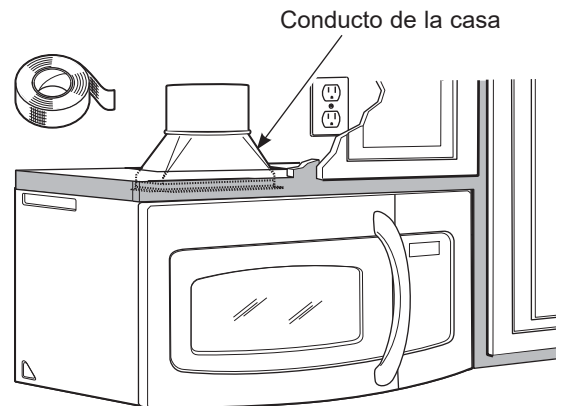


A7. CÓMO AJUSTAR EL ADAPTADOR DE ESCAPE

Abra el gabinete superior y ajuste el adaptador de escape para conectarlo al conducto de la casa.



A8. CÓMO CONECTAR EL CONDUCTO



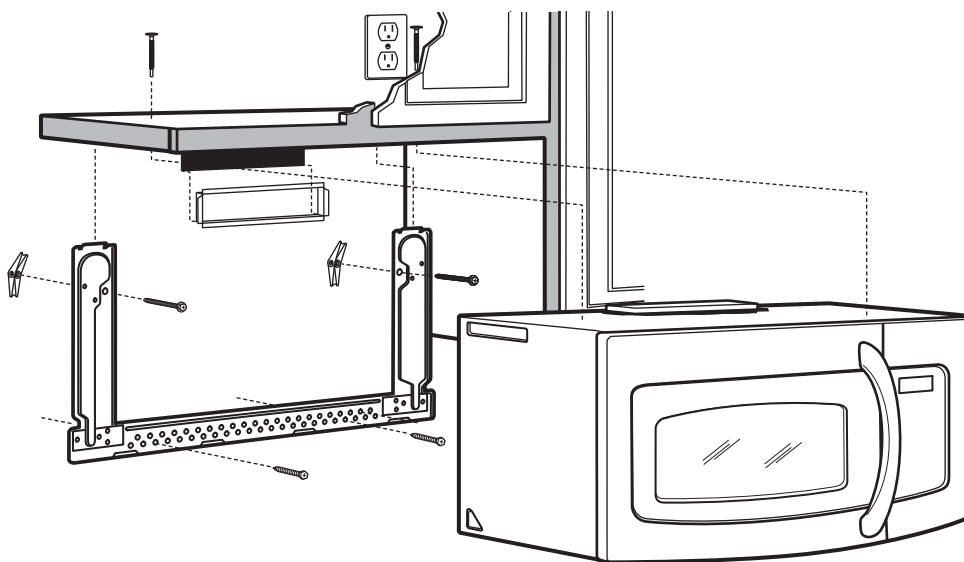
- 1 Extienda el conducto de la casa hacia abajo para conectarlo con el adaptador de escape.
- 2 Selle las juntas del conducto de escape usando cinta adhesiva de conductos.

Instrucciones de instalación

B ESCAPE POSTERIOR EXTERNO (Conducto horizontal)

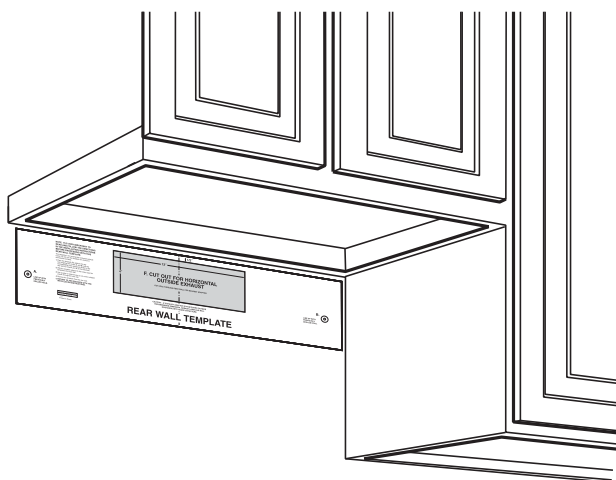
PERSPECTIVA GENERAL DE LA INSTALACIÓN

- B1. Prepare la pared posterior
- B2. Cómo adherir el plato de montaje a la pared
- B3. Prepare el gabinete superior
- B4. Ajuste el calefactor
- B5. Monte el horno microondas



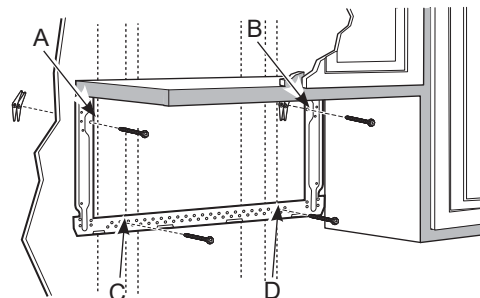
B1. CÓMO PREPARAR LA PARED POSTERIOR PARA EL ESCAPE POSTERIOR

Necesita cortar una abertura en la pared posterior para el escape exterior.



- Lea las instrucciones en la PLANTILLA PARA LA PARED POSTERIOR.
- Péguela con cinta adhesiva a la pared posterior, alineándola con los agujeros previamente perforados para los agujeros A y B en el plato de la pared.
- Corte la apertura, siguiendo las instrucciones de la PLANTILLA PARA LA PARED POSTERIOR.

B2. CÓMO ADHERIR LA PLACA DE MONTAJE A LA PARED

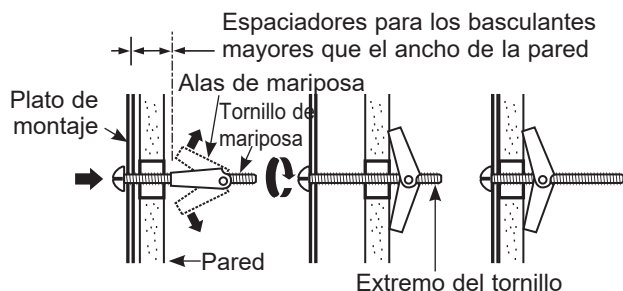


Pegue el plato a la pared usando los tornillos basculantes. Por lo menos un tornillo de madera debe ser usado para pegar el plato al poste de la pared. Las ubicaciones recomendadas sobre la placa de montaje se indican en A, B, C y D.

- 1 Remueva las mariposas del basculante de los tornillos.
- 2 Inserte los tornillos en el plato de montaje a través de los agujeros diseñados para ser insertados en la pared de mampostería seca y pegue otra vez las mariposas de $\frac{3}{4}$ " en cada tornillo.

Instrucciones de instalación

Para usar los tornillos basculantes:



- 3 Coloque el plato de montaje contra la pared e inserte las alas de mariposa en los agujeros de la pared para montar el plato.

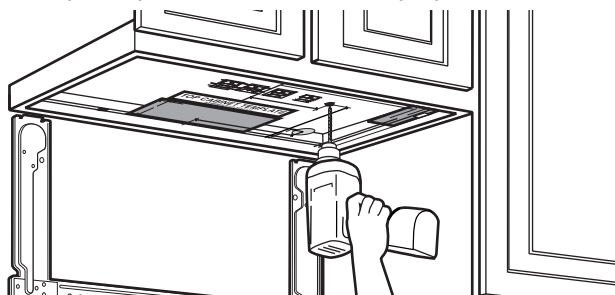
NOTA: Antes de apretar los tornillos basculantes y el tornillo de madera, cerciórese de que las orejillas en el plato de montaje toquen el fondo del gabinete cuando se empujen contra la pared y de que el plato esté centrado apropiadamente debajo del gabinete.

⚠ PRECAUCIÓN Tenga cuidado de evitar pellizcar sus dedos entre la parte posterior del plato de montaje y la pared.

- 4 Apriete todos los tornillos. Tire del plato en dirección opuesta a la pared para ayudar a apretar los tornillos.

B3. USE LA PLANTILLA DEL GABINETE SUPERIOR PARA PREPARAR EL GABINETE SUPERIOR

Necesita perforar agujeros para los tornillos de apoyo superiores y un agujero suficientemente grande para que el cable eléctrico quepa.

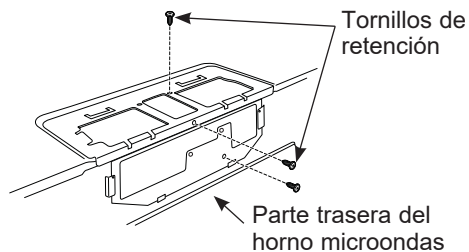


- Lea las instrucciones sobre la PLANTILLA DEL GABINETE SUPERIOR.
- Péguela debajo del gabinete superior.
- Taladre los agujeros, siguiendo las instrucciones en la PLANTILLA DEL GABINETE SUPERIOR.

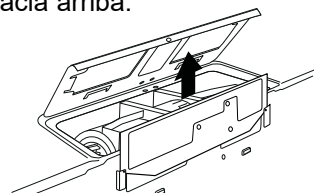
⚠ PRECAUCIÓN Use gafas de seguridad cuando perfore los agujeros en el fondo del gabinete.

B4. CÓMO ADAPTAR EL CALEFACTOR DEL MICROONDAS PARA EL ESCAPE POSTERIOR EXTERIOR

- 1 Remueva y guarde el tornillos que sostiene el motor del calefactor adherido al microondas.

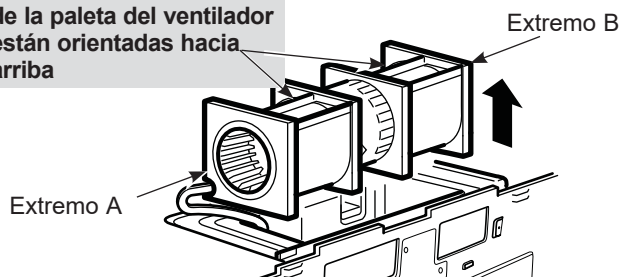


- 2 Abra la puerta del calefactor, levantando el mismo sobre la parte trasera del horno microondas. Retire y guarde el escudo metálico del calefactor en la parte trasera del microondas, deslizando el mismo hacia arriba. Retire y guarde la tapa del ventilador metálico en la parte trasera del microondas, deslizando la misma hacia arriba.



- 3 Cuidadosamente tire del calefactor. Los alambres se extenderán lo suficiente como para permitirle que usted ajuste la unidad del calefactor.

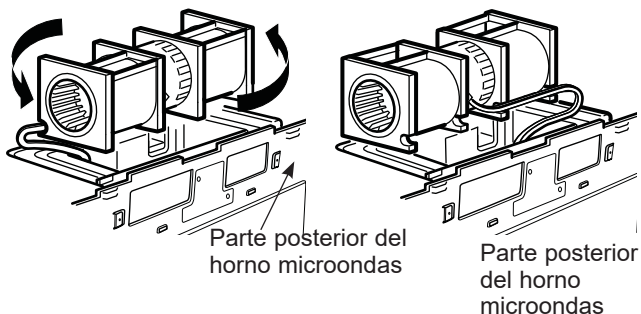
ANTES: Las aberturas de la paleta del ventilador están orientadas hacia arriba



- 4 Rote la unidad 180° en sentido contrario a las agujas del reloj.

Antes de la rotación

Después de la rotación

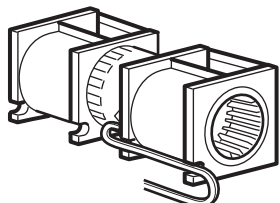


Instrucciones de instalación

B4. CÓMO ADAPTAR EL CALEFACTOR DEL MICROONDAS PARA EL ESCAPE POSTERIOR EXTERIOR (continuación)

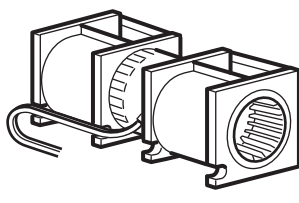
- 5 Suavemente remueva los alambres de las ranuras. Redirija los alambres a través de las ranuras en el otro lado de la unidad del calefactor.

Antes de redirigirlos



Alambres dirigidos a través del lado derecho

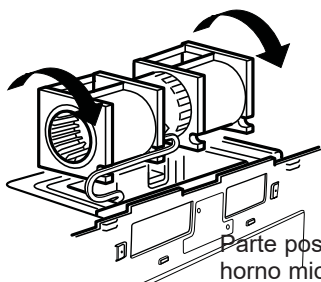
Después de redirigirlos



Alambres dirigidos a través del lado izquierdo

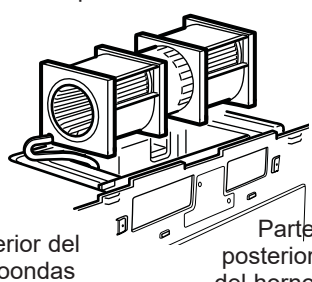
- 6 Ruede la unidad del calefactor 90° de forma tal que las aberturas de la paleta del ventilador estén orientadas hacia la parte posterior del horno microondas.

Antes de la rotación



Parte posterior del horno microondas

Después de la rotación



Parte posterior del horno microondas

- 7 Ubique las dos placas "separadoras" en el panel trasero del horno, cerca de la parte superior del horno. Usando tijeras para hojalata, con cuidado corte el área de la red desde los dos agujeros juntos (que aseguran las separaciones con el horno). Corte las cuatro redes en ambos separadores traseros; esto permitirá que el flujo de aire del ventilador salga hacia fuera desde la parte trasera del horno.

⚠ PRECAUCIÓN

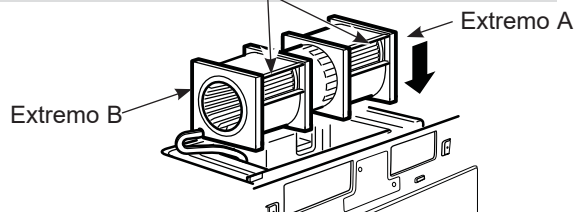
Asegúrese de recortar los extremos puntiagudos desde las aberturas, luego de retirar las placas de separación.

- 8 Coloque la unidad del calefactor de nuevo en la abertura. Las aberturas del escape del calefactor deberán encajar con las aberturas del escape en la parte posterior del horno microondas.

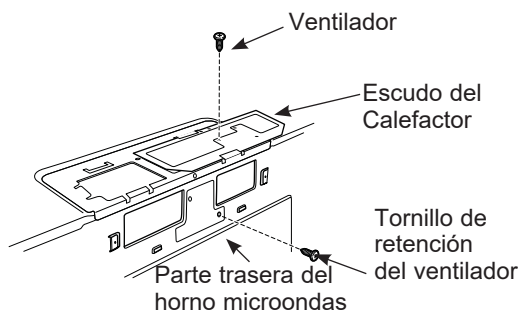
⚠ PRECAUCIÓN

No tire ni estire los cables del calefactor. Cerciñese de que los alambres no están pellizcados.

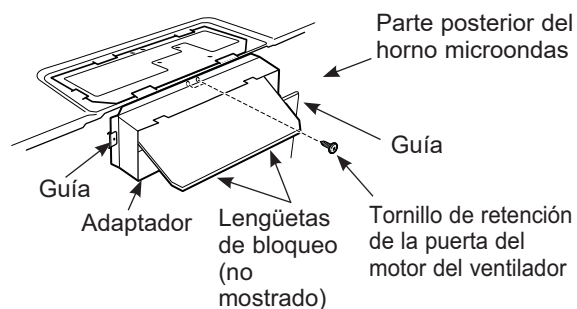
DESPUES: Las aberturas de la paleta del ventilador están orientadas hacia atrás



- 9 Cierre la puerta del ventilador. Deslice el escudo del calefactor sobre la parte superior de la abertura de la puerta del calefactor. Asegúrese de que en el calefactor del horno microondas se utilicen los tornillos de retención del calefactor desde el Paso 1, excepto el tornillo de retención del motor del calefactor superior.

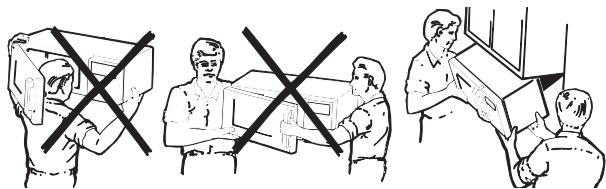


- 10 Deslice el adaptador de escape dentro de la parte trasera del microondas fijándolo dentro de las lengüetas de bloqueo inferiores. Verifique que la bisagra del regulador de tiro se encuentre instalada de modo que quede en la parte superior y que el regulador de tiro se mueva libremente. Vuelva a instalar el tornillo superior del motor del ventilador a través del adaptador, la puerta del ventilador y dentro de la parte trasera del microondas.



Instrucciones de instalación

B5. CÓMO MONTAR EL HORNO MICROONDAS



⚠ PRECAUCIÓN PARA OBTENER UNA INSTALACIÓN MÁS FÁCIL Y EN POS DE LA SEGURIDAD PERSONAL, SE RECOMIENDA QUE DOS PERSONAS INSTALEN ESTE HORNO MICROONDAS.

IMPORTANTE: No agarre ni use la manija de la puerta durante la instalación.

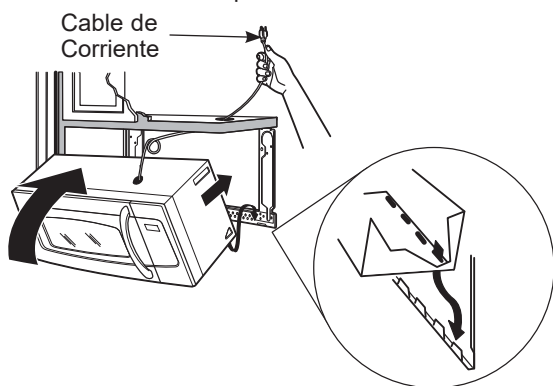
NOTA: Si su gabinete es de metal, use la arandela de nilón alrededor del cable eléctrico para evitar que el mismo sea cortado.

NOTA: Recomendamos el uso de bloques de relleno si el frente del gabinete cuelga por debajo del estante del fondo del gabinete.

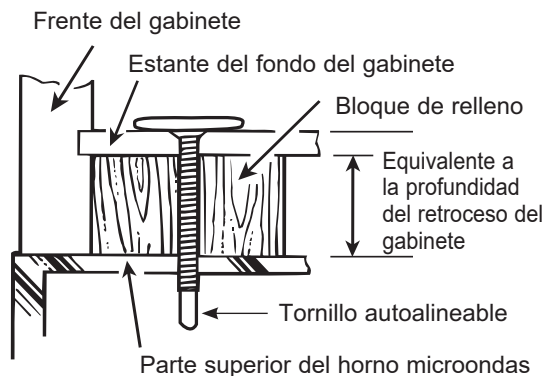
IMPORTANTE: Si no se usan bloques de relleno, podrían ocurrir daños por apretar demasiado los tornillos.

- 1 Levante el horno microondas, inclínelo hacia adelante, y enganche las ranuras en el extremo inferior posterior en cuatro orejillas inferiores del plato de montaje.

NOTA: Cuando se encuentre montando el horno microondas, enrosque el cable eléctrico a través del agujero en el fondo del gabinete superior. Manténgalo tenso a través de los Pasos del 1-3. No pellizque el cable ni tire del horno por el cable.

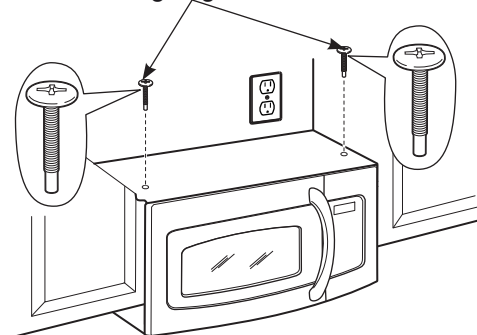


- 2 Gire el frente del horno contra el fondo del gabinete.
- 3 Inserte un tornillo de autoalineación a través del agujero central superior del gabinete. Asegure el horno temporalmente girando el tornillo por lo menos **dos vueltas completas** después de que las roscas hayan agarrado. (Luego quedarán totalmente apretadas). **Cerciórese de mantener el cable eléctrico estirado.** Tenga cuidado de no pellizcar el cable, especialmente cuando se monte al nivel del fondo del gabinete.

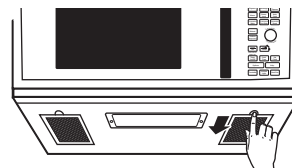


- 4 Pegue el horno microondas a la parte superior del gabinete.
- 5 Inserte 3 tornillos autoalineables a través de los agujeros exteriores superiores del horno. Gire dos vueltas completas en cada tornillo.

Self-Aligning Screws



- 6 Apriete los tres tornillos exteriores hacia la parte de arriba del horno microondas. (Mientras aprieta los tornillos, mantenga el horno microondas en su lugar contra la pared y el gabinete superior.)
- 7 Instale el filtro de grasa. Ver el Manual del Propietario que viene con el horno microondas.

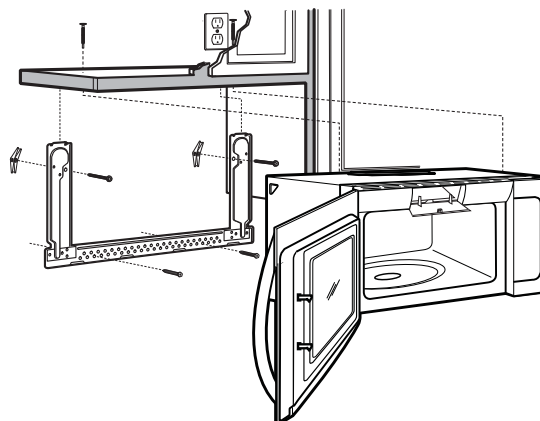


Instrucciones de instalación

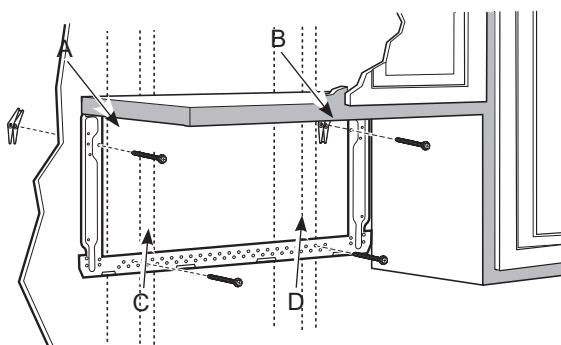
C RECIRCULACIÓN (Sin conducto de ventilación)

PERSPECTIVA GENERAL DE LA INSTALACIÓN

- C1. Cómo adherir el plato de montaje a la pared
- C2. Prepare el gabinete superior
- C3. Controle la Orientación del Motor del Calefactor
- C4. Adapte el Calefactor para la Recirculación
- C5. Monte el horno microondas
- C6. Instale el filtro de carbonilla



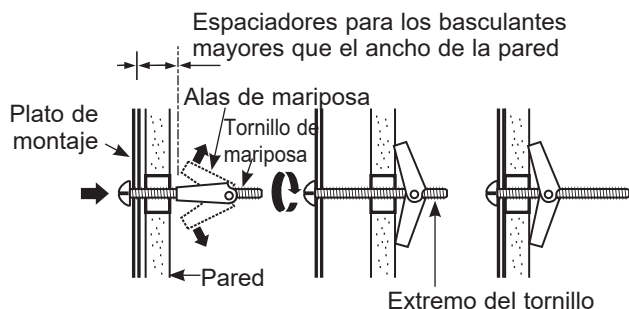
C1 CÓMO ADHERIR LA PLACA DE MONTAJE A LA PARED



Pegue el plato a la pared usando los tornillos basculantes. Por lo menos un tornillo de madera debe ser usado para pegar el plato al poste de la pared. Las ubicaciones recomendadas sobre la placa de montaje se indican en A, B, C y D.

- 1 Remueva las mariposas del basculante de los tornillos.
- 2 Inserte los tornillos en el plato de montaje a través de los agujeros diseñados para ser insertados en la pared de mampostería seca y pegue otra vez las mariposas de $\frac{3}{4}$ " en cada tornillo.

Para usar los tornillos basculantes:



- 3 Coloque el plato de montaje contra la pared e inserte las alas de mariposa en los agujeros de la pared para montar el plato.

NOTA: Antes de apretar los tornillos basculantes y los tornillos de madera, cerciórese de que las orejillas en el plato de montaje toquen el fondo del gabinete cuando son empujadas contra la pared y de que el plato esté centrado apropiadamente debajo del gabinete.

⚠ PRECAUCIÓN Tenga cuidado de evitar pellizcar sus dedos entre la parte posterior del plato de montaje y la pared.

- 4 Apriete todos los tornillos. Tire del plato en dirección opuesta a la pared para ayudar a apretar los tornillos.

C2. USE LA PLANTILLA DE GABINETE SUPERIOR PARA LA PREPARACIÓN DEL GABINETE

Deberá perforar agujeros para los tornillos de apoyo superiores y un agujero suficientemente grande para que el cable eléctrico quepa.



- Lea las instrucciones sobre la PLANTILLA DEL GABINETE SUPERIOR.
- Péguela debajo del gabinete superior.
- Taladre un agujero, siguiendo las instrucciones en la PLANTILLA DEL GABINETE SUPERIOR.

⚠ PRECAUCIÓN Use gafas de seguridad cuando perfore los agujeros en el fondo del gabinete.

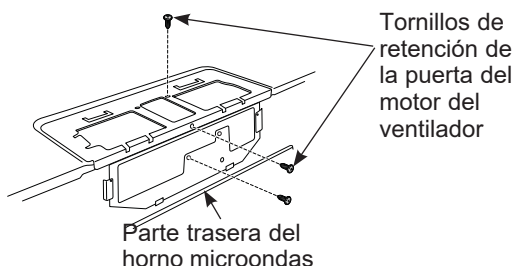
Instrucciones de instalación

C3. CONTROLE LA ORIENTACIÓN DEL MOTOR DEL CALEFACTOR

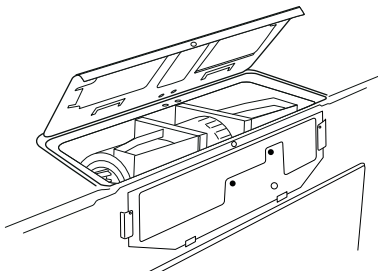
- 1 La abertura de las paletas del ventilador del calefactor debe apuntar hacia la parte frontal del horno microondas. Si la abertura del ventilador ya está apuntada hacia la parte frontal del horno microondas, vaya directo al Paso C5. De otro modo, continúe con el Paso C4 para ajustar la orientación del calefactor.

C4. CÓMO ADAPTAR EL CALEFACTOR DEL MICROONDAS PARA LA RECIRCULACIÓN

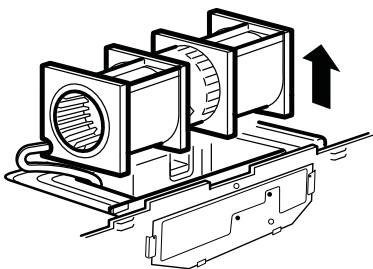
- 1 Remueva y guarde los tornillos que sostiene el motor del calefactor adherido al microondas.



- 2 Abra la puerta del ventilador levantándola hacia arriba desde la parte trasera del microondas. Quite y conserve el tornillo de retención del ventilador.

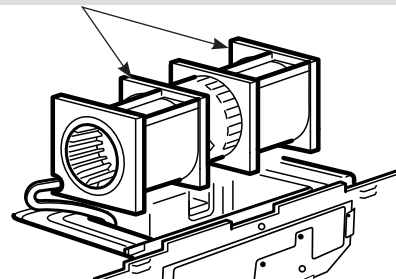


- 3 Cuidadosamente tire del calefactor. Los alambres se extenderán lo suficiente como para permitirle que usted ajuste la unidad del calefactor.

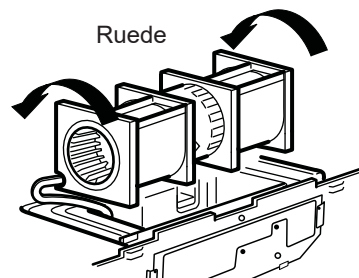


- 4 Ruede la unidad del calefactor 90° de forma tal que las aberturas de la paleta del ventilador estén orientadas hacia el frente del microondas.

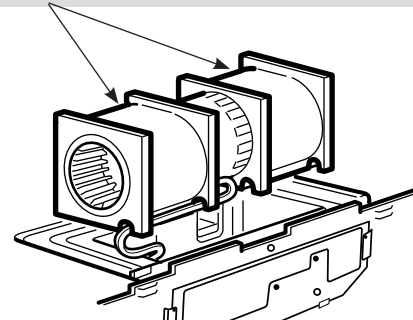
ANTES: Las aberturas de la paleta del ventilador están orientadas hacia arriba



Ruede



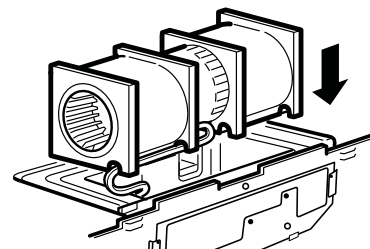
DESPUÉS: Las aberturas de la paleta del ventilador están orientadas hacia adelante



NOTA: Cerciórese de que los alambres permanecen encaminados en las ranuras del marco del motor.

- 5 Coloque la unidad del calefactor de nuevo en la abertura.

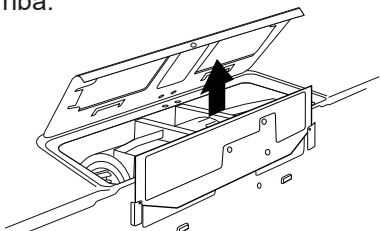
⚠ PRECAUCIÓN No tire ni estire los cables del calefactor. Cerciórese de que los alambres no están pellizcados.



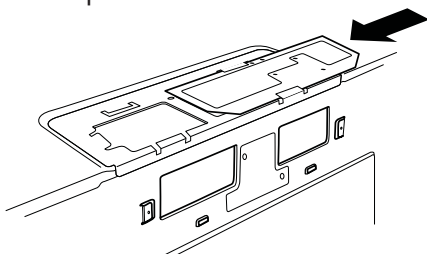
Instrucciones de instalación

C4. CÓMO ADAPTAR EL CALEFACTOR DEL MICROONDAS PARA LA RECIRCULACIÓN (continuación)

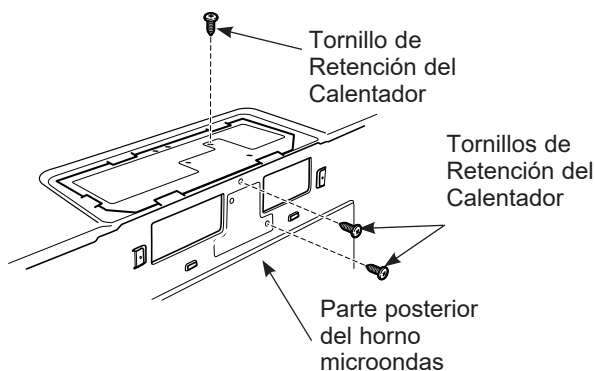
- 6 Retire la tapa metálica del ventilador en la parte trasera del microondas, deslizando la misma hacia arriba.



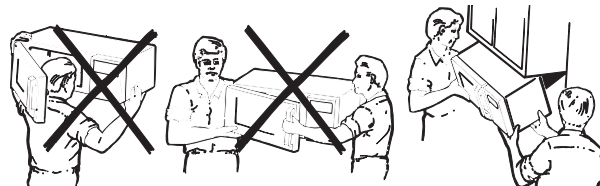
- 7 Cierre la puerta del ventilador. Deslice el escudo del calefactor sobre la parte superior de la abertura de la puerta del calefactor.



- 8 Asegure el calefactor al microondas usando los tornillos de retención del calefactor del Paso 1.



C5. CÓMO MONTAR EL HORNO MICROONDAS



⚠ PRECAUCIÓN PARA OBTENER UNA INSTALACIÓN MÁS FÁCIL Y EN POS DE LA SEGURIDAD PERSONAL, SE RECOMIENDA QUE DOS PERSONAS INSTALEN ESTE HORNO MICROONDAS.

IMPORTANTE: No agarre ni use la manija de la puerta durante la instalación.

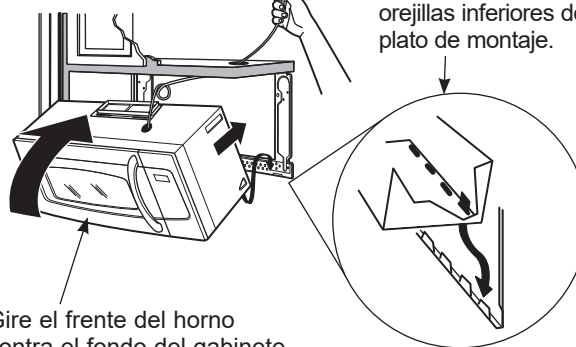
NOTA: Si su gabinete es de metal, use la arandela de nilón alrededor del cable eléctrico para evitar que el mismo sea cortado.

NOTA: Recomendamos el uso de bloques de relleno si el frente del gabinete cuelga por debajo del estante del fondo del gabinete.

IMPORTANTE: Si no se usan bloques de relleno, podrían ocurrir daños por apretar demasiado los tornillos.

NOTA: Cuando se encuentre montando el horno microondas, enrosque el cable eléctrico a través del agujero en el fondo del gabinete superior. Manténgalo tenso a través de los Pasos del 1-3. No pellizque el cable ni tire del horno por el cable.

- 1 Levante el horno microondas, inclínelo hacia adelante, y enganche las ranuras en el extremo inferior posterior en cuatro orejillas inferiores del plato de montaje.

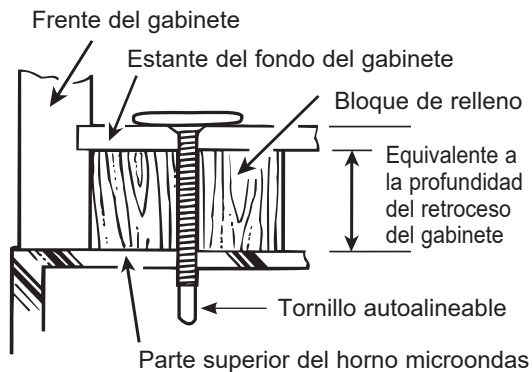


- 2 Gire el frente del horno contra el fondo del gabinete.

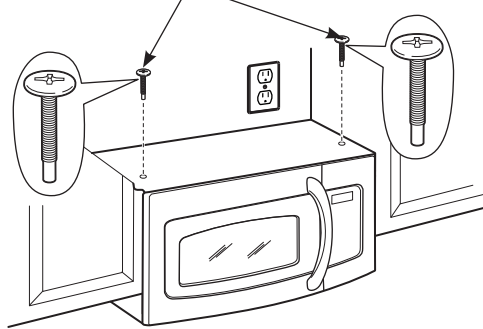
Instrucciones de instalación

C5. CÓMO MONTAR EL HORNO MICROONDAS (continuación)

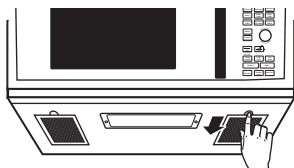
- 3** Inserte un tornillo de autoalineación a través del agujero central superior del gabinete. Asegure el horno temporalmente girando el tornillo por lo menos dos vueltas completas después de que las roscas hayan agarrado. (Luego quedarán totalmente apretadas). Cerciérese de mantener el cable eléctrico estirado. Tenga cuidado de no pellizcar el cable, especialmente cuando se monte al nivel del fondo del gabinete.



- 4** Pegue el horno microondas a la parte superior del gabinete.
- 5** Inserte 3 tornillos autoalineables a través de los agujeros exteriores superiores del horno. Gire dos vueltas completas en cada tornillo.



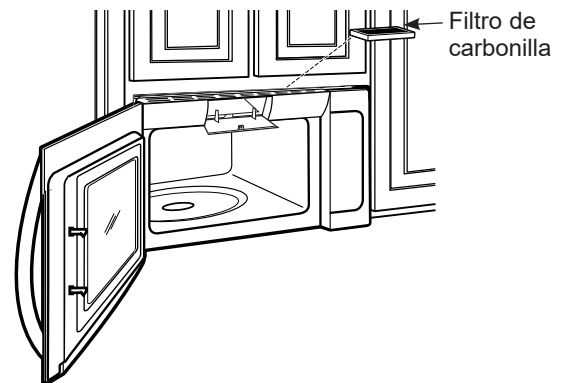
- 6** Apriete los tres tornillos exteriores hacia la parte de arriba del horno microondas. (Mientras aprieta los tornillos, mantenga el horno microondas en su lugar contra la pared y el gabinete superior.)
- 7** Instale el filtro de grasa. Ver el Manual del Propietario que viene con el horno microondas.



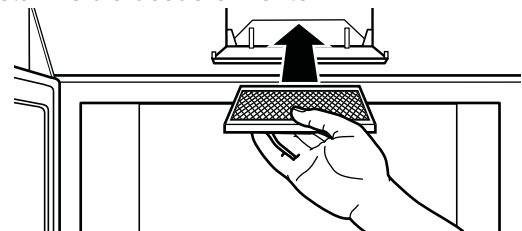
C6. FILTRO DE CARBÓN

Un filtro de carbón es instalado en todas las unidades. Siga los siguientes pasos para controlar el filtro.

- 1** Abra la puerta del filtro presionando los 2 botones que se encuentran en la parte superior del horno microondas, justo sobre la puerta del filtro.
- 2** Empuje del filtro de la parte inferior hasta destrabar las lengüetas de bloqueo. Deslice el filtro hacia abajo y quítelo.



- 3** Instale el filtro de carbonilla. Cuando está instalado correctamente, la malla del filtro debería estar visible desde el frente.



Inserte la malla hacia arriba

- 4** Cierre la puerta.

Instrucciones de instalación

ANTES DE COMENZAR A USAR SU HORNO MICROONDAS

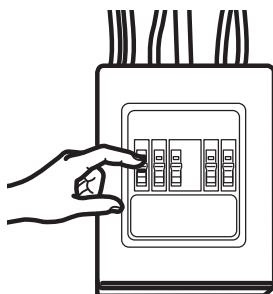
- 1.** Cerciórese de que el horno ha sido instalado de acuerdo con las instrucciones.



- 2.** Remueva todos los materiales de embalaje del horno microondas.

- 3.** Instale el aro rotatorio y con ruedas en la cavidad.

- 4.** Reemplace el fusible de la casa o encienda de nuevo el interruptor.

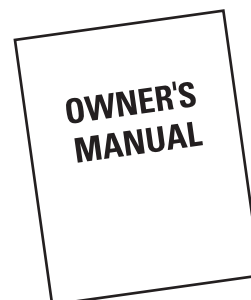


- 5.** Enchufe el cable eléctrico en un tomacorriente exclusivo de 15 a 20 amperios.



Cerciórese de que existe una conexión a tierra apropiada

- 6.** Lea el Manual del Propietario.



- 7.** GUARDE ESTAS INSTRUCCIONES PARA EL USO DEL INSPECTOR LOCAL.

