



CAFÉ

DISTINCT BY DESIGN™

Replacing Your Café Knobs & Handles



Instrucciones En Español | Instructions En Français:
www.cafeappliances.com/custom-hardware/installation/

Instructions for Replacing Appliance Handles

IMPORTANT!

- The handle on your appliance may have a different orientation than what is shown, but the installation will be the same.
- Be extra careful of the appliance finish around the handle area, as it can scratch. During removal of the handle screws, hold onto the handle tightly so it won't fall and scratch the appliance. We recommend having another person help you hold the handle in place as you remove the screws.
- When the handle has been removed, check the fasteners that are attached to the appliance front to see if they are loose. If so, tighten them with a 3/16" Allen wrench before attaching the new handle.
Note: Fastener shape may vary by appliance.
- For appliances with multiple handles, look at your current configuration before removing the handles, and make sure the replacement handles match that logo and set screw position.

Tools You Will Need:



1/8" Allen Wrench
(included with handle)



3/16" Allen Wrench
(not included)

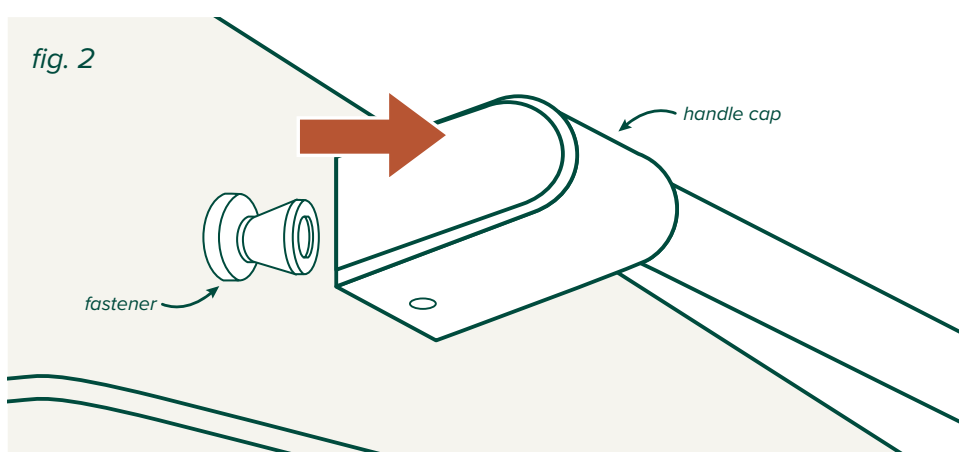
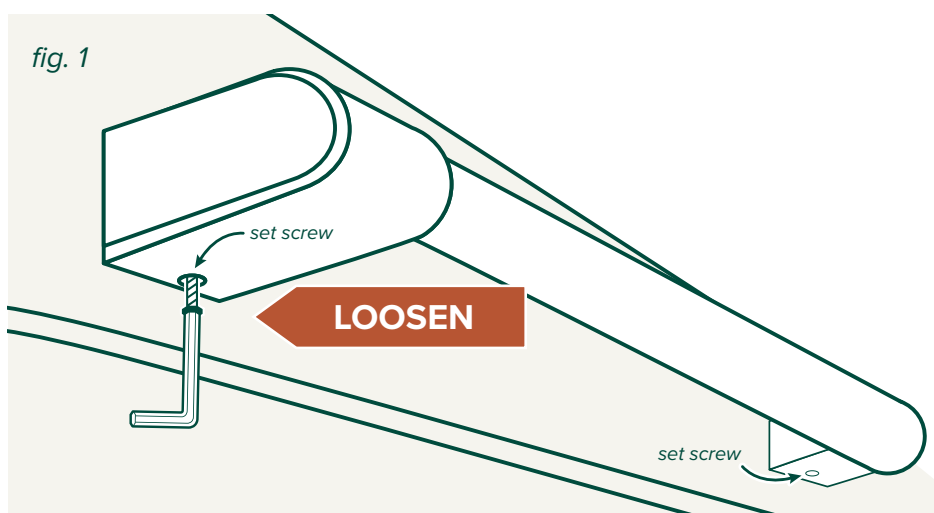
I. Removing the Handle

1. Locate the set screws on the handle caps (they are usually on the less visible side).
2. Loosen the set screw on one end with the 1/8" Allen wrench while supporting the handle. Do not remove the set screw from the handle cap (fig 1).
3. Keep supporting the handle while you loosen the set screw on the other handle cap. Lift the handle from the fasteners on the door and set aside.

II. Replacing a New Handle

1. Make sure the set screws are loosened. Place the handle over the fasteners of the door (we recommend putting the screw side of the handle toward the less visible side). Take care to support the handle so it doesn't fall and scratch the appliance finish. Make sure both the handle caps are resting on the face of the door.
2. Lock one end of the handle into position by tightening the set screw in the handle cap with the 1/8" Allen wrench. Be sure not to over tighten.
3. Keep supporting the handle as you lock the other end of the handle into position by tightening the set screw in the handle cap with the 1/8" Allen wrench. Be sure not to over tighten.

Repeat these instructions on all other handles.



Instructions for Replacing Knobs with Bezels and Mode Selectors

IMPORTANT!

- Turn off power to your appliance before you remove or replace the knobs.
- Work with one knob at a time to ensure you don't mix up replacement pieces.
- Make sure you check the writing on each of your knobs (and/or bezels) and set them out in the order you will replace them. This will help ensure you don't put them on in the wrong order.
- If your appliance has an oven, you will need to replace the bezels and Oven Mode Selector. If your appliance does NOT have an oven, you will only have to replace the knobs and bezels.

fig. 1

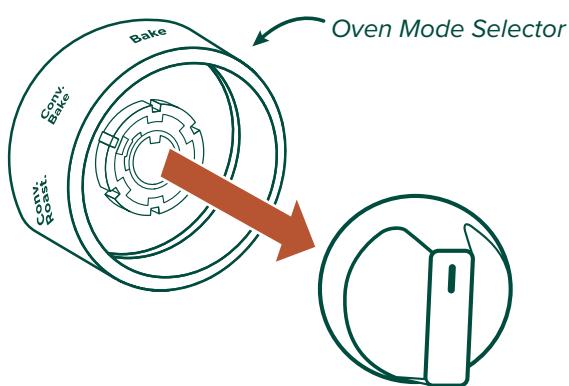


fig. 2

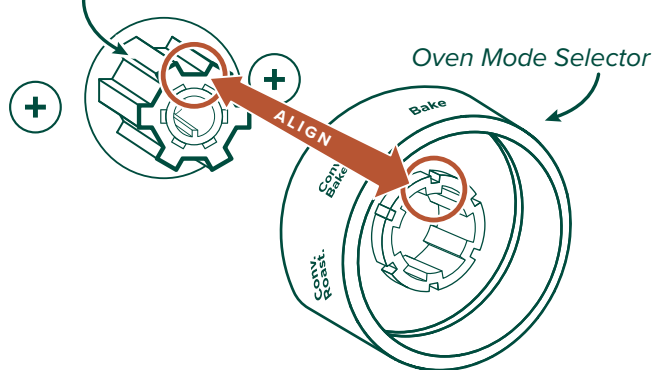


fig. 3

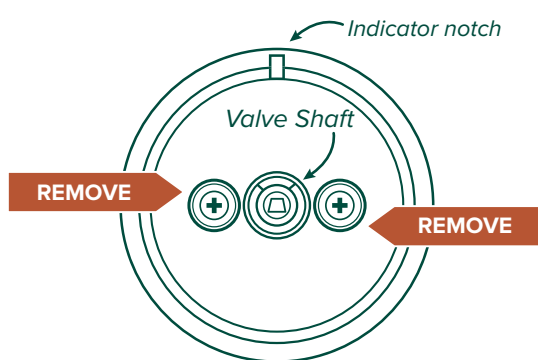


fig. 4

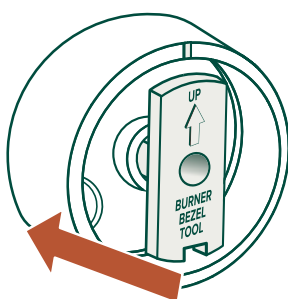
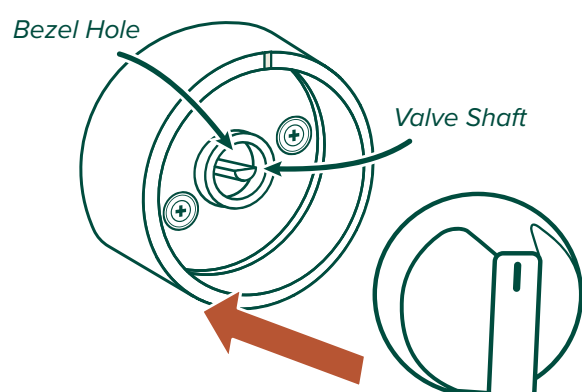


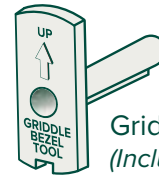
fig. 5



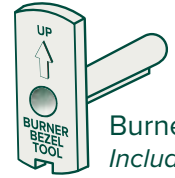
Tools You Will Need:



Phillips Head Screwdriver
(Not included)



Griddle Bezel Tool
(Included with Bezel)



Burner Bezel Tool
(Included with Bezel)

I. Oven Mode Selector

1. Make sure all knobs are in the OFF position
2. Determine if your unit has an Oven Mode Selector (fig. 1). If your unit does not have an Oven Mode Selector, skip to Section II.
3. First, remove the knob on the Oven Mode Selector by pulling it free from the shaft. You may have to wiggle it slightly as you pull (fig. 1).
4. Then, grasp the sides and rear of the Oven Mode selector and pull firmly away from the appliance until it's free from the Oven Controls Shaft.
5. Your kit may come with more than one Oven Mode Selector. Make sure you choose the correct one from the kit by checking the wording on the removed Oven Mode Selector and matching it to the replacement Oven Mode Selector.
6. Align bigger tab on oven control shaft to the bigger slot on the oven mode selector, then center it over the oven control shaft. Push onto the shaft as far as possible (fig. 2).
7. Next, match the replacement knob with the knob you've removed—make sure they have the same writing and markings.
8. Hold the replacement knob so that the indicator is at the top and it lines up properly with the shaft, then push the knob onto the shaft as far as possible for a snug fit.

II. Removing the Current Knobs and Bezels

1. Make sure all knobs are in the OFF position.
2. Choose which knob you will work with first, and remove it by grasping the sides and pulling away from the appliance until the knob is free from its shaft. You may have to wiggle it slightly as you pull.
3. Using a Phillips head screwdriver, remove the two bezel attachment screws.
4. You should be able to remove the bezel from the appliance front after the screws have been removed.
5. Repeat the above removal steps for all burner and griddle bezels.

III. Installation of the Replacement Knobs and Bezels

Repeat the following steps 1 - 6 using the Burner and Griddle Bezel Tools to install all knobs and bezels. Use the Burner Bezel Tool when installing burner knobs and the Griddle Bezel Tool when installing the griddle knob (on some models).

1. Using the Burner/Griddle Bezel Tool, align the arrow on the tool with the indicator notch on the bezel, and insert the tool into the bezel.
2. Push the Burner/Griddle Bezel Tool and bezel onto the valve shaft with indicator notch and arrow pointing upward. Press tool onto the shaft until it is snug and release (fig. 4).
3. Drive the two bezel attachment screws into the bezel. (Partially drive the first screw, fully drive the second screw, then fully drive the first screw.)
4. Remove the Burner/Griddle Bezel Tool.
5. Match the replacement knob with the knob you've removed. Make sure they have the same writing and markings.
6. Hold the replacement knob so that the indicator is at the top and it lines up properly with the shaft. Push the knob onto the shaft as far as possible so it fits snugly (fig. 5).
7. Press the knob and rotate to ensure normal operation. If the knob is difficult to push in or rotate, visually check if the valve stem is centered within the bezel hole. If the valve shaft is not centered, loosen the bezel screws, reposition the bezel to be centered to valve shaft, then retighten screws.