

# Café™ 30" Slide-In Front Control Induction and Convection Double Oven Range

CCHS950P4MW2 / CCHS950P3MD1 / CCHS950P2MS1

# CAFÉ

DISTINCT BY DESIGN™



ALSO AVAILABLE IN



CCHS950P2MS1  
Stainless Steel with Brushed Stainless handles and knobs



CCHS950P3MD1  
Matte Black with Brushed Stainless handles and knobs



## FEATURES & BENEFITS

Gourmet results without any guesswork - Take culinary skills to the next level with Gourmet Guided Cooking, which combines video-guided recipes from chefs with a system that automatically adjusts the time, temperature and cooking pace for perfect results

Create dinners and desserts at the exact same time - From everyday gourmet meals to large dinner parties, achieve impressive results with two independent ovens with a total capacity of 7.0 cu. ft. for true cooking flexibility, along with the accurate heat circulation of True European Convection with Precise Air in the lower oven

An attractive appearance at all times - Every detail of your kitchen is designed to delight, thanks to a sleek backlit glass touch control panel that visually disappears when not in use and wakes up when prompted

The perfect combination of power & precision - Stun guests by showing off your 11" 3,700-watt induction element, which uses chef-preferred induction cooktop technology to deliver precise heat to cookware only. That means you can do everything from boiling a quart of water in 101 seconds to melting butter at exact temperatures with amazing efficiency

Precise control for flawless results - Delight guests with the precision of sous vide cooking or perfectly prepared fondues and delicate sauces using a precision cooking probe that is sold separately

Enjoy total control in the kitchen and beyond - Control your oven with your smart device or simply your voice using WiFi Connect

Create a look that matches your personal style - Select any combination of premium finishes and hardware options to create a stunning look customized to any owner's taste

Ensure consistent temperatures across a large area - Evenly heat large griddles or enamel cookware across two 8" synchronized elements

## APPEARANCE

Installation	Flush Appearance; Free-standing cut-out
Oven Door Features	Big View Oven Window; Easy clean oven door
Handle	Professional Style; Customizable; Consumer Removable
Textured Steel Side Panels	Yes

## FEATURES

Configuration	Double Oven Range
Cooking System	True European Convection with Precise Air
Cooking Technology	Traditional Upper; Convection Lower
Oven Cleaning Type	Self-Clean with Steam Clean Option
Cooktop Burner Type	Induction
Cooktop Surface	Edge-to-Edge; Black Patterned Ceramic Glass
Control Location	Front controls
Control Type	White Backlit; Glass Touch
Oven Control Features	Audible Preheat Signal; Auto Oven Shut-Off with Override; Auto Recipe Conversion; Auto Self Clean; C° or F° Programmable; Certified Sabbath Mode; Chef Connect; Control Lock Capability; Delay Bake Option (Time Cook); Delay Clean Option; Electronic Clock & Kitchen Timer; Fast Preheat; Hi / Low Broil; Oven "ON" Light; Self-Clean Cool Down Time Display; Temperature Probe
Oven Cooking Modes	Baked Goods - Both Ovens (No Preheat); Convection Bake; Convection Roast; Frozen Pizza Multi Rack - Lower Oven (No Preheat); Frozen Pizza Single Rack - Both Ovens (No Preheat); Frozen Snacks Multi Rack - Lower Oven (No Preheat); Frozen Snacks Single Rack - Both Ovens (No Preheat); Proof; Warming
Oven Features	6-Pass Broil Element (Upper); 8-Pass Broil Element (Lower); Hidden Bake (Both Ovens)
Self-Clean Oven Door Lock	Automatic
Oven Rack Features	2 Self-Clean Heavy-Duty Oven Racks; 1 Self-Clean Heavy-Duty Roller Rack; 6 Rack Positions
Oven Interior	Black; 2 Incandescent
Connected Capabilities	Amazon Alexa; The Google Assistant; Hestan Cue; IFTTT; Nest; Drop; Innit; DiGiorno
WiFi Connect	Built-In
Element - Left Front	8" 2500W Sync Element
Element - Left Rear	8" 2500W Sync Element
Element - Right Front	11" 3700W Power Boil
Element - Right Rear	6" 1800W
Element - Center	6" 100W Warming Zone
Hot Surface Indicator Lights	1
Heating Element "ON" Indicator Light	5

## CAPACITY

Total Capacity (cubic feet)	6.7 cu ft
Capacity (cubic feet)	2.4 Upper / 4.3 Lower

## ACCESSORIES

Trim Kit	Optional; JXFILLR1BB
Cooktop Cleaning	Cream Sponge Included
Probe Accessory	Optional; JXPROBE1

## WEIGHTS & DIMENSIONS

Depth with Door Open	43-7/8 in
Approximate Shipping Weight	256 lb
Net Weight	236 lb
Height to Top of Rear Vent Trim	37-3/8 in
Overall Height	37-3/8 in
Height to Cooking Surface (in.)	36-1/4 +/- 1/4
Overall Width	29-7/8 in
Cabinet Width	30 in
Overall Depth	29-1/2 in
Depth Without Handle	26-7/8 in
Oven Interior Dimensions (W x H x D) (in.)	24 x 10-1/8 x 19-1/8 - Upper 24 x 15 x 20-5/8 - Lower

# Café™ 30" Slide-In Front Control Induction and Convection Double Oven Range

# C A F É

DISTINCT BY DESIGN™

CCHS950P4MW2 / CCHS950P3MD1 / CCHS950P2MS1

## POWER/RATINGS

Amp Rating at 208V	40
Amp Rating at 240V	40
Convection Wattage	2500W
Bake Wattage	2650W Upper / 2650W Lower
Broiler Wattage	3000W Upper / 3600W Lower
KW Rating at 208V	12.6
KW Rating at 240V	15.2

## WARRANTY

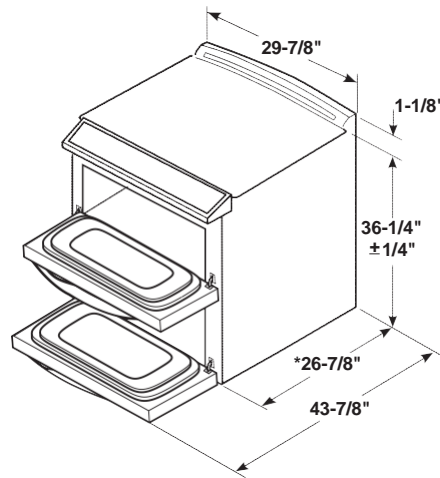
Parts warranty	Limited 1-year entire appliance
Labor warranty	Limited 1-year entire appliance

## DIMENSIONS

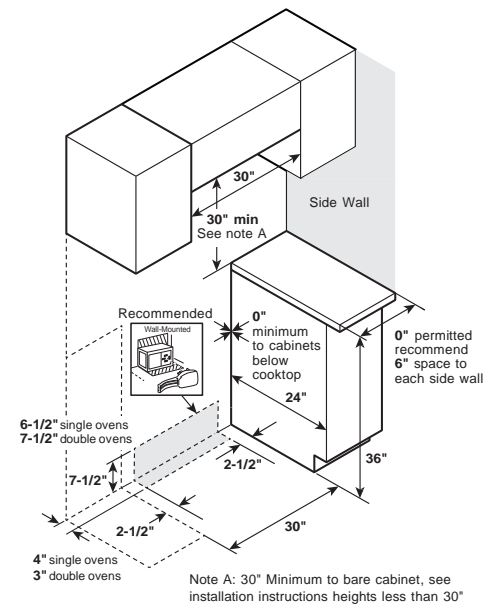
**Receptacle Locations:** Locally approved flexible service cord or conduit must be used because terminals are not accessible after range installation. See shaded area in drawing for location of electrical outlet box. Recommended outlet locations allow range to be installed directly against rear wall.

**Note:** This appliance has been approved for 0" spacing to adjacent surfaces above the cooktop. However, a 6" minimum spacing to surfaces less than 15" above the cooktop and adjacent cabinet is recommended to reduce exposure to steam, grease splatter and heat.

**Installation Information:** Before installing, consult installation instructions for current dimensional data and additional requirements.



\*Depth including door handle is approximately 29-1/2".



## ADDITIONAL ACCESSORIES



CXFCHHKPMBZ  
Brushed Bronze  
2 handles; 6 knobs  
(standard on Matte White)



CXFCHHKPMSS  
Brushed Stainless  
2 handles; 6 knobs  
(standard on Matte Black)



CXFCHHKPMBT  
Brushed Black  
2 handles; 6 knobs



CXFCHHKPMCU  
Brushed Copper  
2 handles; 6 knobs



JXPROBE1  
Probe Accessory