



DISTINCT BY DESIGN™

# Owner's Manual & Installation Instructions

## Vented Range Hoods

With QuietBoost™ Blower

Models: CVW9304 and CVW9364

### Contents

<b>Safety Information</b> .....	3	<b>Installation Instructions</b> .....	9
<b>Using the Hood</b>		<b>Troubleshooting Tips</b> .....	25
Controls .....	5	<b>Limited Warranty</b> .....	26
Chef Connect .....	5	<b>Accessories</b> .....	27
Wi-Fi Connect .....	6	<b>Consumer Support</b> .....	28
<b>Care And Cleaning</b>			
Filter .....	7		
Surfaces .....	8		
Lights .....	8		

Write the model and serial numbers here:

Model # \_\_\_\_\_

Serial # \_\_\_\_\_

You can find them on a label on the inside of the hood.

## THANK YOU FOR MAKING CAFÉ A PART OF YOUR HOME.

---

We take pride in the craftsmanship, innovation and design that goes into every Café product, and we think you will too. Among other things, registration of your appliance ensures that we can deliver important product information and warranty details when you need them.

Register your Café appliance now online. Helpful websites are available in the Consumer Support section of this Owner's Manual. You may also mail in the pre-printed registration card included in the packing material.

**C A F É**

---

DISTINCT BY DESIGN™

# IMPORTANT SAFETY INFORMATION

## READ ALL INSTRUCTIONS BEFORE USING

**▲WARNING** TO REDUCE THE RISK OF FIRE, ELECTRIC SHOCK OR INJURY TO PERSONS, OBSERVE THE FOLLOWING:

- A. Use this unit only in the manner intended by the manufacturer. If you have questions, contact the manufacturer.
- B. Before servicing or cleaning unit, switch power off at service panel and lock the service disconnecting means to prevent power from being switched on accidentally. When the service disconnecting means cannot be locked, securely fasten a prominent warning device, such as a tag, to the service panel.
- C. Do not use this unit with any solid-state speed control device.
- D. This unit must be grounded.

**▲CAUTION** FOR GENERAL VENTILATING USE ONLY. DO NOT USE TO EXHAUST HAZARDOUS OR EXPLOSIVE MATERIALS AND VAPORS.

**▲CAUTION** To reduce risk of fire and to properly exhaust air, be sure to duct air outside. Do not vent exhaust air into spaces within walls or ceilings or into attics, crawl spaces, or garages.

**▲WARNING** TO REDUCE THE RISK OF INJURY TO PERSONS IN THE EVENT OF A RANGE TOP GREASE FIRE, OBSERVE THE FOLLOWING\*:

- A. SMOTHER FLAMES with a close-fitting lid, cookie sheet or metal tray, then turn off the burner. BE CAREFUL TO PREVENT BURNS. If the flames do not go out immediately, EVACUATE AND CALL THE FIRE DEPARTMENT.
- B. NEVER PICK UP A FLAMING PAN—You may be burned.
- C. DO NOT USE WATER, including wet dishcloths or towels—a violent steam explosion will result.
- D. Use an extinguisher ONLY if:
  - 1. You know you have a Class ABC extinguisher, and you already know how to operate it.
  - 2. The fire is small and contained in the area where it started.
  - 3. The fire department is being called.
  - 4. You can fight the fire with your back to an exit.

\*Based on “Kitchen Fire Safety Tips” published by NFPA.

**▲WARNING** TO REDUCE THE RISK OF A RANGE TOP GREASE FIRE:

- A. Never leave surface units unattended at high settings. Boil overs cause smoking and greasy spillovers that may ignite. Heat oils slowly on low or medium settings.
- B. Always turn hood ON when cooking on high heat or when flambéing food (i.e. Crepes Suzette, Cherries Jubilee, Peppercorn Beef Flambé).
- C. Clean ventilating fans frequently. Grease should not be allowed to accumulate on fan or filter.
- D. Use proper pan size. Always use cookware appropriate for the size of the surface element.

## READ AND SAVE THESE INSTRUCTIONS

# IMPORTANT SAFETY INFORMATION READ ALL INSTRUCTIONS BEFORE USING

**▲WARNING** TO REDUCE THE RISK OF FIRE, ELECTRIC SHOCK OR INJURY TO PERSONS, OBSERVE THE FOLLOWING:

- A. Installation work and electrical wiring must be done by qualified person(s) in accordance with all applicable codes and standards, including fire-rated construction.
- B. Sufficient air is needed for proper combustion and exhausting of gases through the flue (chimney) of fuel burning equipment to prevent back drafting. Follow the heating equipment manufacturer's guidelines and safety standards such as those published by the National Fire Protection Association (NFPA), the American Society for Heating, Refrigeration and Air Conditioning Engineers (ASHRAE) and the local code authorities. When applicable, install any makeup (replacement) air system in accordance with local building code requirements. Visit [cafeappliances.com](http://cafeappliances.com) for available makeup air solutions.
- C. When cutting or drilling into wall or ceiling, do not damage electrical wiring and other hidden utilities.
- D. Ducted fans must always be vented to the outdoors.
- E. Turn off breaker to adjacent rooms while working.

**▲WARNING** TO REDUCE THE RISK OF FIRE, USE ONLY METAL DUCTWORK.

Do not attempt to repair or replace any part of your hood unless it is specifically recommended in this manual. All other servicing should be referred to a qualified technician.

## How to Remove Protective Shipping Film and Packaging Tape

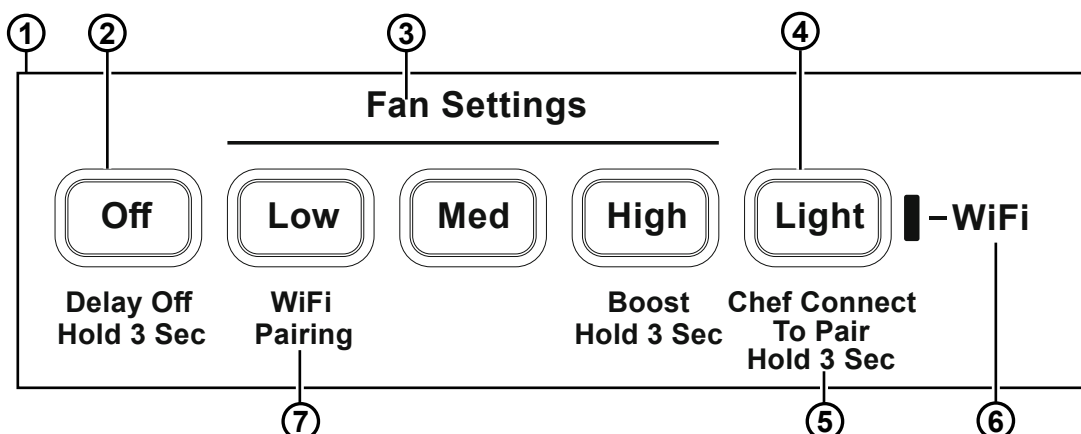
Carefully grasp a corner of the protective shipping film with your fingers and slowly peel it from the appliance surface. Do not use any sharp items to remove the film. Remove all of the film before using the appliance for the first time.

To assure no damage is done to the finish of the product, the safest way to remove the adhesive from packaging tape on new appliances is an application of a household liquid dishwashing detergent. Apply with a soft cloth and allow to soak.

**NOTE:** The adhesive must be removed from all parts.

## READ AND SAVE THESE INSTRUCTIONS

# Controls



- 1. Rangehood Control Panel:** The control panel is located under the front edge of the canopy. The position and function of each control button are noted below.
- 2. Fan On/Off:** On/Off switch for the fan. The fan can be operated by pressing any of the fan setting buttons. Hold **Off** for 3 seconds to activate Delay Off feature, which automatically turns the fan off after 15 minutes. Low, Med and High buttons LEDs will rolling blink to indicate Delay Off feature is activated.
- 3. Fan Settings:** Speed control for fan. Fan speed is powered by **QuietBoost™ Technology**. This unique technology is designed to minimize ventilation noise and enhance motor efficiency for a peacefully-quiet, odor-free kitchen. Press the button **Low** for LOW speed, **Med** for MEDIUM speed, and **High** for HIGH speed. Hold down the High button for 3 seconds to activate the Boost speed that will run for 15 minutes. High button LED will blink on/off to indicate Boost feature is activated.
- 4. Light:** Off/On/Night Light switch for the LED lights. Press the **Light** button to turn the lights on, again to set the lights to night light setting, and again to turn the lights off.
- 5. Chef Connect:** This is a Bluetooth® pairing feature for use with other compatible Chef Connect enabled products on a cooktop or range. When the device is paired, the default sync settings will be activated upon receiving a command from the range or cooktop. To change the default sync setting, refer to the Chef Connect section.  
To pair devices, hold down the **Light** button for 3 seconds. To turn it back off, hold the button down for another 3 seconds. See the Chef Connect section for more details.
- 6. IR Sensor:** Remote control receiver when used with remote control kit.
- 7. Wi-Fi:** Hold down the Low button for 3 seconds to initiate the Wi-Fi connection. The Wi-Fi indicator light turns on when connected, see the Wi-Fi Connect section for details.

## Chef Connect

### Chef Connect Operation Bluetooth® Connection

#### To pair with another device:

To start the pairing process on the hood, press and hold the **Light** button for 3 seconds. The backlight for all the icons will flash until the hood is paired with the range or other device. If the pairing is successful, the backlights of all buttons will flash simultaneously three times and then turn off. The hood lights and fan default sync setting will be activated.

It will time out after 2 minutes if the pairing is not completed, after which the pairing sequence will need to be restarted.

#### To cancel pairing:

To cancel the pairing, hold the **Light** button down for 3 seconds and then turn off the hood.

#### Default Sync Settings:

The factory default setting for the light will be the brightest.

The factory default setting for the fan sync will be OFF.

The user can change the Default Sync Settings by pressing and holding the **Med** button for 3 seconds. This will enter the Default Settings Mode. Once in this mode, the backlights for all buttons will blink on/off indefinitely and the fan and light will switch to the current Default Sync Setting, so the user knows what the current default value is. At this time, set the light and fan to the desired default levels. Once the user is satisfied with the selection, press and hold the **Off** button for 3 seconds. This will exit this mode. At that time the backlights will stop blinking and the state of the fan and light will change back to their prior state before entering the Default Settings Mode.

# Wi-Fi Connect

## Connecting your Wi-Fi Connect Enabled hood (on some models)

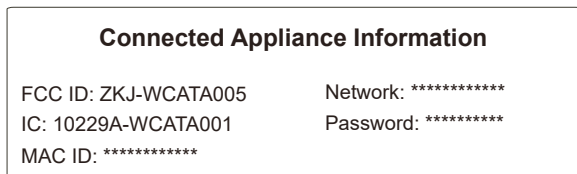
Your Café hood is designed to provide you with two-way communication between your appliance and smart device. By using the Café Appliances Wi-Fi Connect features, you will be able to control essential hood operations such as fan speed, light functions, delay off and filter notification using your smartphone or tablet.

This device complies with part 15 of the FCC Rules. Operation is subject to the following two conditions: (1) This device may not cause harmful interference, and (2) this device must accept any interference received, including interference that may cause undesired operation.

### What you will need

Your Café hood uses your existing home Wi-Fi network to communicate between the appliance and your smart device. In order to setup your Café, you will need to gather some information:

1. Each Café hood has a connected appliance information label that includes an Appliance Network Name and Password. These are the two important details that you will need to connect to the appliance. The label is located on the side of the unit behind the filters.



Sample Label

2. Have your smart phone or tablet ready with the ability to access the internet and download apps.
3. You will need to know the password of your home Wi-Fi router. Have this password ready while you are setting up your Café hood.

### Connect your Café hood

1. On your smart phone or tablet visit **caféappliances.com/connect** to learn more about connected appliance features and to download the appropriate app.
2. Follow the app onscreen instructions to connect your Café hood.
3. Once the process is complete, the indicator light located on your Café hood display will stay on solid and the app will confirm you are connected.
4. If the indicator light does not turn on or is blinking, follow the instructions on the app to reconnect. If issues continue please visit **caféappliances.com/connect** regarding hood wireless connectivity.

To connect additional smart devices, repeat steps 1 and 2.

Note that any changes or modifications to the remote enable device installed on this hood that are not expressly approved by the manufacturer could void the user's authority to operate the equipment.

### Enhanced Wi-Fi Features

Once your product is connected to Wi-Fi, you have access to enhanced features via phone app.

**Delay Off Timer:** This feature allows the user to adjust delay off time from 1 minute to 15 minutes. The default delay off time is 15 minutes.

**Boost Timer:** This feature allows the user to adjust the boost time from 1 minute to 15 minutes. The default boost time is 15 minutes

**Night Light Timer:** This feature allows the user to set time for the night light to turn on and off automatically.

**Grease/Charcoal Filter Notifications:** This feature sends a regular reminder to the user to clean their grease filters, and/or to replace their charcoal filter, if the hood is setup in recirculation mode.

\* Compatible Apple or Android devices and home Wi-Fi network required.

# Filters

Be sure the circuit breaker is off and all surfaces are cool before cleaning or servicing any part of the vent hood.

The baffle filters and drip trays are dishwasher safe and should be cleaned every month, depending on the usage of the hood

## Grease Drip Tray

### To install:

Place and seat the drip trays into the designated hood track. Slide them left or right until all trays are side-by-side in place in the track.

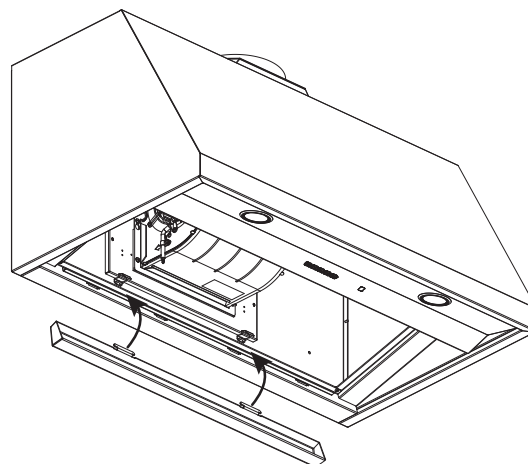
### To remove:

Carefully, use the grease tray lip to lift the tray upwards and out. The tray will be free of the designated hood track.

### To clean:

Swish the drip tray in hot soapy water and rinse in clean water or wash it in the dishwasher. Do not use abrasive cleaners.

**NOTE:** Some discoloration of the grease drip tray may occur in the dishwasher.



Drip Tray Replacement

## Baffle Grease Filter

The baffle filters channel grease released by foods on the cooktop into the drip trays. The baffle filters also help prevent flaming foods on the cooktop from damaging the inside of the hood.

The baffle filters must ALWAYS be in place when the hood is in use.

### To install:

Insert the top of the baffle (side without knob) into the track behind the control panel. Push knob side into the back, twist to lock into place.

### To remove:

Pull and twist knob and slowly pull filter down. Hold with other hand and pull filter away from the track behind the control panel.

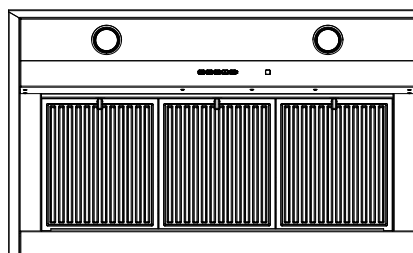
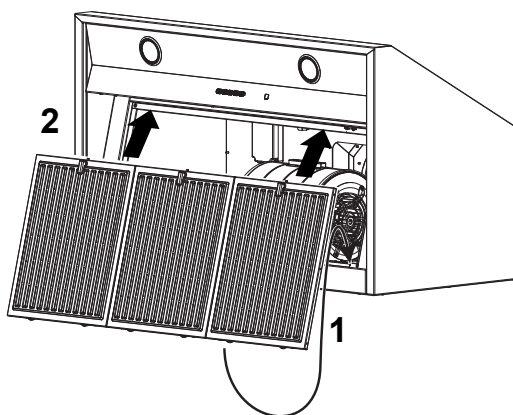
**It is important for baffle filters to be placed correctly to channel grease to the drip trays and avoid grease accumulation in the baffles.**

### To clean:

Swish the filter in hot soapy water and rinse in clean water or wash it in the dishwasher. Do not use abrasive cleansers.

**NOTE:** Some discoloration of the filter may occur in the dishwasher.

To clean hard to reach areas of the filter, use a soft brush.



Baffle Replacement

## Filters (Cont.)

### Charcoal Filter (for recirculation installation on select models only)

**NOTE:** DO NOT rinse, or put charcoal filter in an automatic dishwasher.

The charcoal filter is **NOT** included with the unit. Order Charcoal Filter UXCF91. It cannot be cleaned; it must be replaced. It is recommended that the charcoal filter be replaced every 6 months or if it is noticeably dirty or discolored.

To reduce the risk of fire and shock, when used in recirculation mode, use only charcoal filter UXCF91.

To inquire about purchasing replacement charcoal filters or to find the location of a dealer nearest you, please call our toll-free number:

**National Parts Center 800.626.2002**

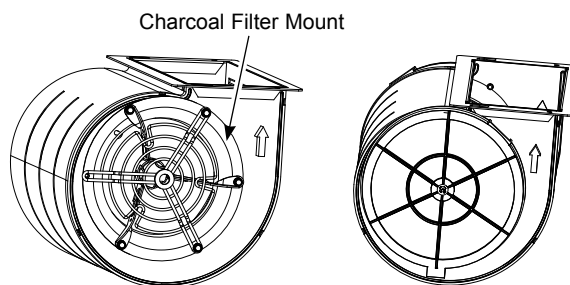
#### To Install

1. Remove the grease filters. See Filters section.
2. Install the charcoal filter mounts to either side of the motor using three screws per side.
3. Insert the tab on the charcoal filter into the triangular slot on the mount.

4. Clip the charcoal filter in until it is locked
5. Repeat with second filter on the other side of the motor.
6. Reattach the metal filters. See Filters section.

#### To Remove

1. Remove grease filters-See Filters section
2. Unclip the charcoal filter by pressing the release clip.
3. Carefully remove charcoal filter from tab.



## Surfaces

### Painted Surfaces

**Do not use a steel wool pads or other abrasive cleaners; they will scratch the surface.**

Clean grease-laden surfaces of the hood frequently. To clean the hood surface, use a hot, damp cloth with a mild detergent suitable for painted surfaces. About one tablespoon of ammonia may be added to the water. Use a clean, hot, damp cloth to remove soap. Dry with a dry, clean cloth.

**NOTE:** When cleaning, take care not to come in contact with filters and other surfaces.

**CAUTION** When cleaning the hood surfaces, be certain that you do not touch the light with moist hands or cloth. A warm or hot light may break if touched with a moist surface. Always let the light cool completely before cleaning around it.

## Lights

To change the LED lamps, schedule a service appointment. See Consumer Support page in the front of this manual for a list of websites and contact information.



# Installation Instructions

? If you have questions, visit us at [cafeappliances.com](http://cafeappliances.com) or visit our website at: [cafeappliances.ca](http://cafeappliances.ca).

## BEFORE YOU BEGIN

Read these instructions completely and carefully.

- **IMPORTANT** — Save these instructions for local inspector's use.
- **IMPORTANT** — Observe all governing codes and ordinances.
- **Note to Installer** – Be sure to leave these instructions with the Consumer.
- **Note to Consumer** – Keep these instructions for future reference.
- **Skill level** – Installation of this vent hood requires basic mechanical and electrical skills.
- **Completion time** – Approximately 1 to 3 hours
- Proper installation is the responsibility of the installer.
- Product failure due to improper installation is not covered under the Warranty.

**CAUTION** Due to the weight and size of these vent hoods and to reduce the risk of personal injury or damage to the product, **TWO PEOPLE ARE REQUIRED FOR PROPER INSTALLATION.**

## FOR YOUR SAFETY

**WARNING** Before beginning the installation, switch power off at service panel and lock the service disconnecting means to prevent power from being switched on accidentally. When the service disconnecting means cannot be locked, securely fasten a prominent warning device, such as a tag, to the service panel.

**WARNING** TO REDUCE THE RISK OF FIRE, ELECTRIC SHOCK OR INJURY TO PERSONS, OBSERVE THE FOLLOWING:

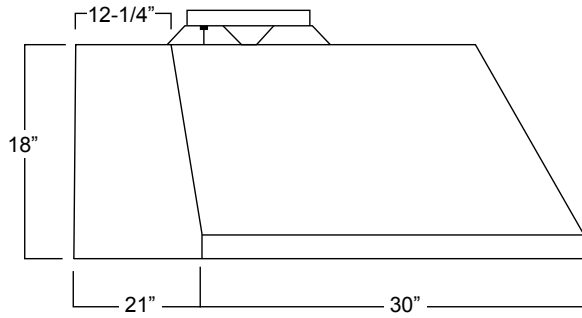
- A. Installation work and electrical wiring must be done by qualified person(s) in accordance with all applicable codes and standards, including fire-rated construction.
- B. Sufficient air is needed for proper combustion and exhausting of gases through the flue (chimney) of fuel burning equipment to prevent back drafting. Follow the heating equipment manufacturer's guidelines and safety standards such as those published by the National Fire Protection Association (NFPA), the American Society for Heating, Refrigeration and Air Conditioning Engineers (ASHRAE) and the local code authorities.
- C. When cutting or drilling into wall or ceiling, do not damage electrical wiring and other hidden utilities.
- D. Ducted fans must always be vented to the outdoors.
- E. Turn off breaker to adjacent rooms while working.

**WARNING** TO REDUCE THE RISK OF FIRE, USE ONLY METAL DUCT WORK.

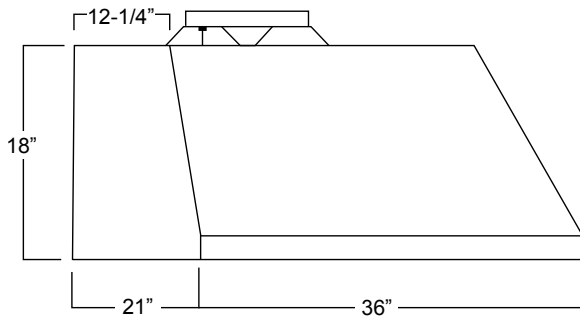
**WARNING** Disconnect all electrical power at the main circuit breaker or fuse box before installing.

# Installation Preparation

## PRODUCT DIMENSIONS



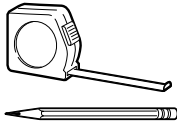
30" Models  
Requires a 30" opening.



36" Models  
Requires a 36" opening.

# Installation Preparation

## TOOLS AND MATERIALS REQUIRED (NOT SUPPLIED)



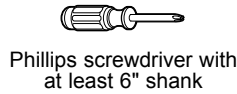
Pencil and tape measure



Safety glasses



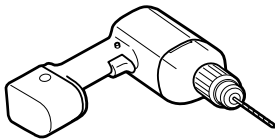
Level



Phillips screwdriver with at least 6" shank



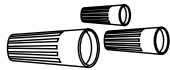
Wire cutter/stripper



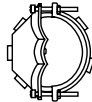
Electric drill with #2 Phillips with 1/8" and 5/16" drill bits



Aluminized duct tape



UL listed wire nuts



Strain relief for junction box, 1" diameter knockout

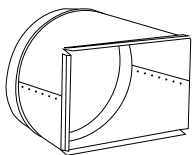


8" round duct

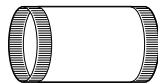


Gloves

### Needed for back venting only



8"x12" to 12" round duct transition



12" round duct

## PLAN THE INSTALLATION

### ⚠ CAUTION

To reduce risk of fire and to properly exhaust air, be sure to duct the air outside. Do not vent exhaust air into spaces within walls or ceilings or into attics, crawl spaces, or garages.

### PARTS SUPPLIED FOR INSTALLATION

- 1 Hardware Package
- 1 Literature Package
- 1 Installation Template

### PARTS NEEDED FOR INSTALLATION

- 1 Strain Relief
- 1 Wall or Roof Cap (for vented installation only)
- All Metal Ductwork

### ⚠ WARNING

#### PERSONAL INJURY HAZARD

Because of the weight and size of the rangehood canopy. It is recommended that 2 people are used to install the range hood. Failure to properly lift rangehood could result in damage to the product or personal injury.

**NOTE:** Before making any cuts or holes for installation, determine which venting method will be used and carefully calculate all measurements.

## REMOVE THE PACKAGING

### ⚠ CAUTION

Wear gloves to protect against sharp edges.

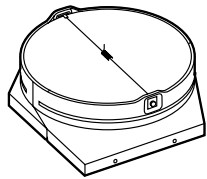
- Remove the hood body.
- Remove the hardware bag, literature package and other boxed parts.
- Remove and properly discard the protective plastic wrapping and other packaging materials.

1" = 2.5 cm; 1' = 0.3 m

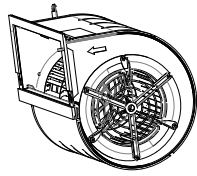
# Installation Preparation

## PARTS PROVIDED

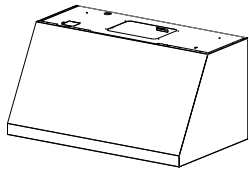
Locate the parts packed with the hood.



Top Damper



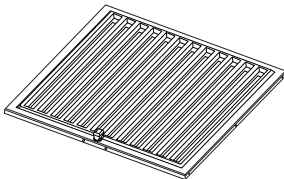
Motor



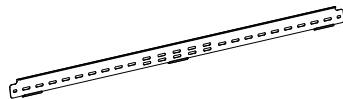
Hood Body



Grease Drip Trays



2 Baffle Filters  
(3 with 36" models)



Metal Installation Bracket

## HARDWARE PACKAGE

Locate and check contents.



A



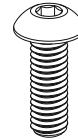
(QTY: 4) 8 x 1-3/4 AB screw. Used to mount the installation bar. Use 1/8" drill for pilot hole.

B



(QTY: 4) 2.9mm x 6mm PZ screws. Used to attach the damper

D



(QTY: 4) M4 screws. Used to mount motor

C

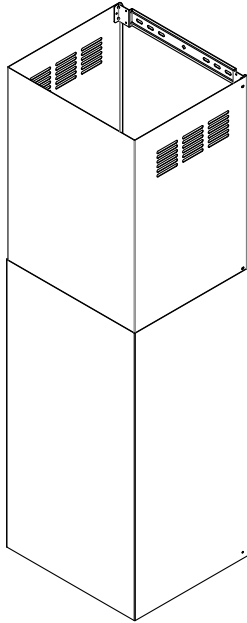


(QTY: 2) 3/16" dry wall anchors with screws. Used for hood bottom mounting screw holes. Use 5/16" drill for pilot hole.

# Installation Preparation

## DUCT COVER REQUIREMENTS

Duct cover kits must be purchased separately. We recommend that the vent hood and duct cover (if used) be on site before final framing and wall finishing. This will help to accurately locate studs, ductwork and electrical service.



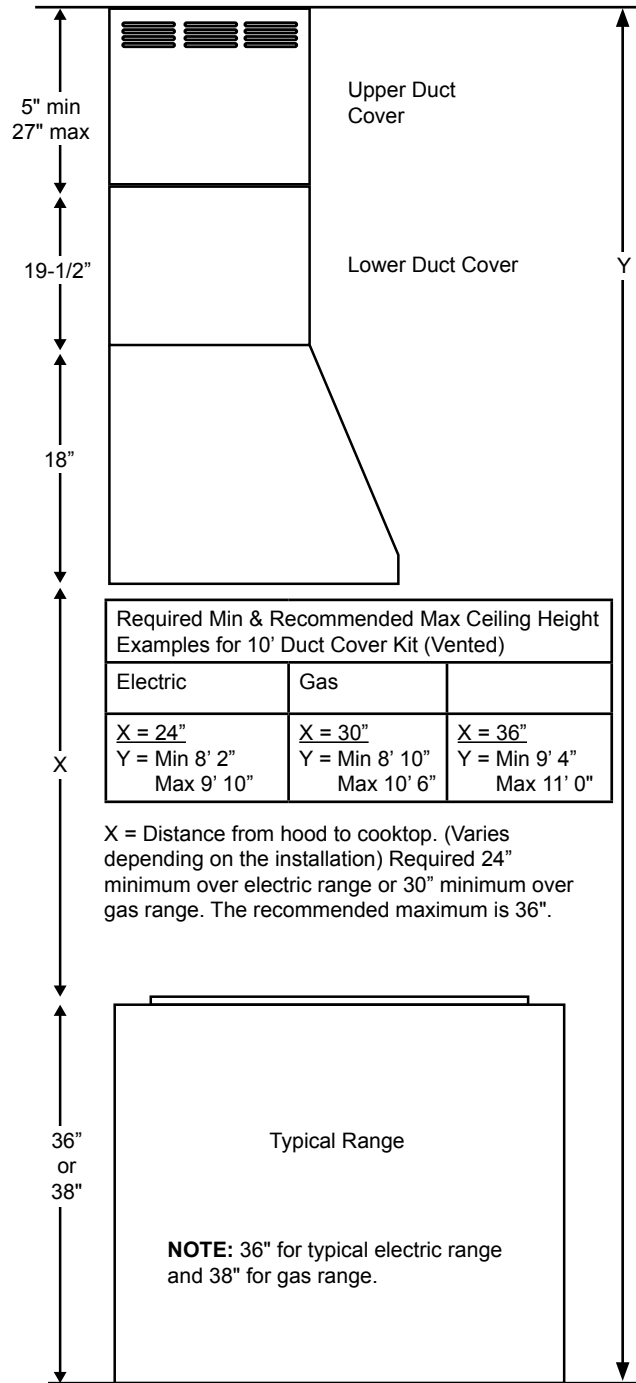
- Duct cover accessory comes with a lower and upper duct cover and installation hardware.
- The installation hardware includes mounting brackets to secure duct covers to the wall.
- For vented installations, recirculation holes can be hidden by installing the upper duct cover upside down.
- See table below for duct cover kit part numbers based on finish.

Model #	Duct Cover Kit #	Max Ceiling Installation
30" & 36" Model (Matte Black)	CX8DC9SPDS	8' 4"
	CX10DC9SPDS	11' 1/4"
	CX12DC9SPDS	13' 4"
30" & 36" Model (Matte White)	CX8DC9SPWM	8' 4"
	CX10DC9SPWM	11' 1/4"
	CX12DC9SPWM	13' 4"

**NOTE:** Duct Cover Kits CX8DC9SPDS and CX8DC9SPWM only support vented installation mode.

## INSTALLATION DIMENSIONS

The hood duct covers can be adjusted for different ceiling heights depending on the distance between the bottom of the hood and the cooktop (distance X). See Installation Height Table on the next page.



# Installation Preparation

**INSTALLATION HEIGHT TABLE**

CX8DC9SPDS OR CX8DC9SPWM			CX10DC9SPDS OR CX10DC9SPWM					CX12DC9SPDS OR CX12DC9SPWM				
Ceiling Duct Cover Kit up to 8ft.			High Ceiling Duct Cover up to 10 ft.					High Ceiling Duct Cover up to 12 ft.				
Installation over Gas Range		Installation over Electric Range	Installation over Gas Range		Installation over Electric Range			Installation over Gas Range		Installation over Electric Range		
Ceiling Height (ft./in.)	Vented Installation Height	Vented Installation Height	Ceiling Height (ft./in.)	Recirc Installation Height	Vented Installation Height (Recirc holes hidden)	Recirc Installation Height	Vented Installation Height (Recirc holes hidden)	Ceiling Height (ft./in.)	Recirc Installation Height	Vented Installation Height (Recirc holes hidden)	Recirc Installation Height	Vented Installation Height (Recirc holes hidden)
7' 0"		24	8' 2"				24	9' 1"				24
7' 1"		24-25	8' 3"				24-25	9' 2"				24-25
7' 2"		24-26	8' 4"				24-26	9' 3"				24-26
7' 3"		25-27	8' 5"				24-27	9' 4"				24-27
7' 4"		26-28	8' 6"				24-28	9' 5"		24		24-28
7' 5"		27-29	8' 7"			24	24-29	9' 6"		24-25		24-29
7' 6"		28-30	8' 8"			24-25	24-30	9' 7"		24-26		24-30
7' 7"		29-31	8' 9"			24-26	24-31	9' 8"		24-27		24-31
7' 8"	30	30-32	8' 10"		30	24-27	24-32	9' 9"		30		24-32
7' 9"	30-31	31-33	8' 11"		30-31	24-28	24-33	9' 10"		30-31		24-33
7' 10"	30-32	32-34	9' 0"		30-32	24-29	24-34	9' 11"		30-32		24-34
7' 11"	31-33	33-35	9' 1"		30-33	24-30	24-35	10' 0"		30-33		24-35
8' 0"	32-34	34-36	9' 2"		30-34	24-31		10' 1"	30	30-34		
8' 1"	33-35	35-36	9' 3"	30	30-35	24-32		10' 2"	30-31	30-35		
8' 2"	34-36	36	9' 4"	30-31		24-33		10' 3"	30-32			
8' 3"	35-36		9' 5"	30-32		24-34		10' 4"	30-33			
8' 4"	36		9' 6"	30-33		24-35	24-36	10' 5"	30-34			24-36
			9' 7"	30-34				10' 6"	30-35			
			9' 8"	30-35				10' 7"				
			9' 9"		30-36	24-36		10' 8"				
			9' 10"					10' 9"				
			9' 11"				25-36	10' 10"		30-36		25-36
			10' 0"				26-36	10' 11"				26-36
			10' 1"				27-36	11'				27-36
			10' 2"				28-36	11' 1"				28-36
			10' 3"			25-36	29-36	11' 2"				29-36
			10' 4"			26-36	30-36	11' 3"		24-36		30-36
			10' 5"			27-36	31-36	11' 4"				31-36
			10' 6"			28-36	32-36	11' 5"				32-36
			10' 7"		31-36	29-36	33-36	11' 6"		31-36		33-36
			10' 8"		32-36	30-36	34-36	11' 7"		32-36		34-36
			10' 9"		33-36	31-36	35-36	11' 8"	30-36	33-36		35-36
			10' 10"		34-36	32-36	36	11' 9"		34-36		36
			10' 11"	31-36	35-36	33-36		11' 10"		35-36		
			11'	32-36	36	34-36		11' 11"		36		
			11' 1"	33-36		35-36		12'				25-36
			11' 2"	34-36		36		12' 1"				26-36
			11' 3"	35-36				12' 2"				27-36
			11' 4"	36				12' 3"				28-36
								12' 4"				29-36
								12' 5"				30-36
								12' 6"				31-36
								12' 7"				32-36
								12' 8"				33-36
								12' 9"	31-36			34-36
								12' 10"	32-36			35-36
								12' 11"	33-36			36
								13	34-36			
								13' 1"	35-36			
								13' 2"	36			

1" = 2.5 cm; 1' = 0.3 m

# Installation Preparation

## ADVANCE PLANNING

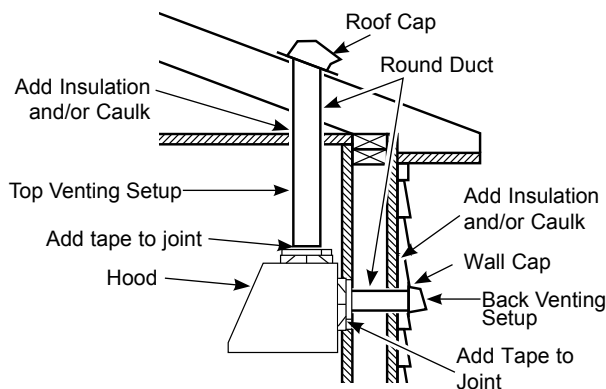
### Duct Install Planning

- This hood is designed to be vented vertically through the ceiling with a 8" round duct or, horizontally through a wall with an 8"x12" duct transition and 12" round duct.
- Use metal ductwork only.
- Plan the route for venting exhaust to the outdoors. To maximize the ventilation performance of the vent system:
  1. Minimize the duct run length and number of transitions and elbows.
  2. Maintain a constant duct size.
  3. Seal all joints with duct tape to prevent any leaks.

**NOTE:** Flexible vent is not recommended. Flexible vent creates back pressure and air turbulence that greatly reduces performance.

- Maximum equivalent duct length for 100 CFM: 150 foot for vent hoods.
- Install a wall cap or roof cap with damper at the exterior opening. Purchase the wall or roof cap and any transition and length of duct needed in advance.
- When applicable, install any makeup (replacement) air system in accordance with local building code requirements. 8" round duct makeup air kit JXMUA8 can be purchased from [cafeappliances.com](http://cafeappliances.com).

Vent system can terminate either through the roof or the wall.



## POWER SUPPLY

**IMPORTANT – (Please read carefully)**

### ⚠ WARNING

FOR PERSONAL SAFETY, THIS APPLIANCE MUST BE PROPERLY GROUNDED.

Remove house fuse or open circuit breaker before beginning installation.

Do not use an extension cord or adapter plug with this appliance. Follow National Electrical Codes or prevailing local codes and ordinances.

### Electrical supply

These vent hoods must be supplied with 120V, 60Hz, and connected to a properly grounded branch circuit, and protected by a 15 or 20 amp circuit breaker or time delay fuse.

- Wiring must be 2 wire with ground.
- If the electrical supply does not meet the above requirements, call a licensed electrician before proceeding.
- Route house wiring as close to the installation location as possible in the ceiling or wall.
- Connect the wiring to the house wiring in accordance with local codes.

### Grounding instructions

The grounding conductor must be connected to a ground metal, permanent wiring system, or an equipment-grounding terminal or lead on the hood.

### ⚠ WARNING

The improper connection of the equipment-grounding conductor can result in a risk of electric shock. Check with a qualified electrician or service representative if you are in doubt whether the appliance is properly grounded.

# Installation Preparation

## NEW CONSTRUCTION, PRE-PLANNING, OR REMODELING

**NOTE:** For existing instruction, skip to the next section.

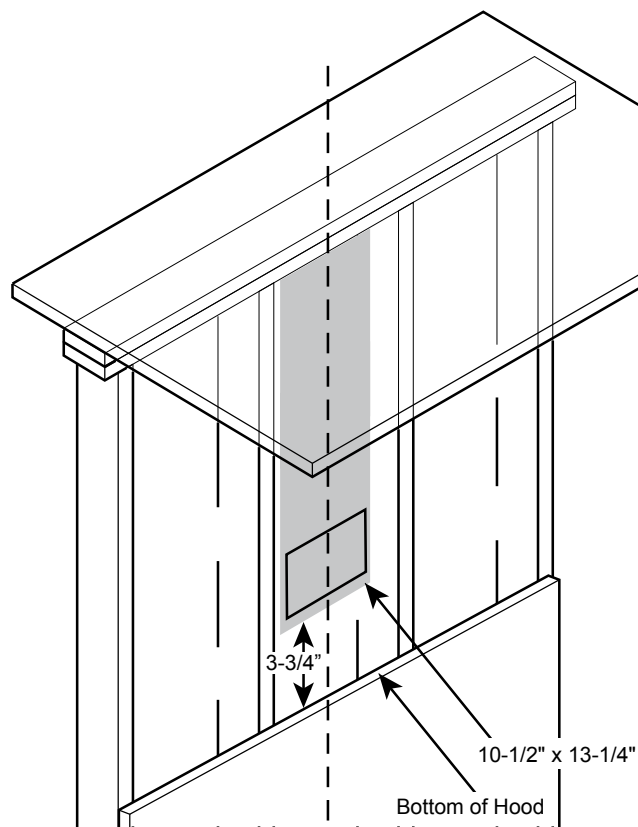
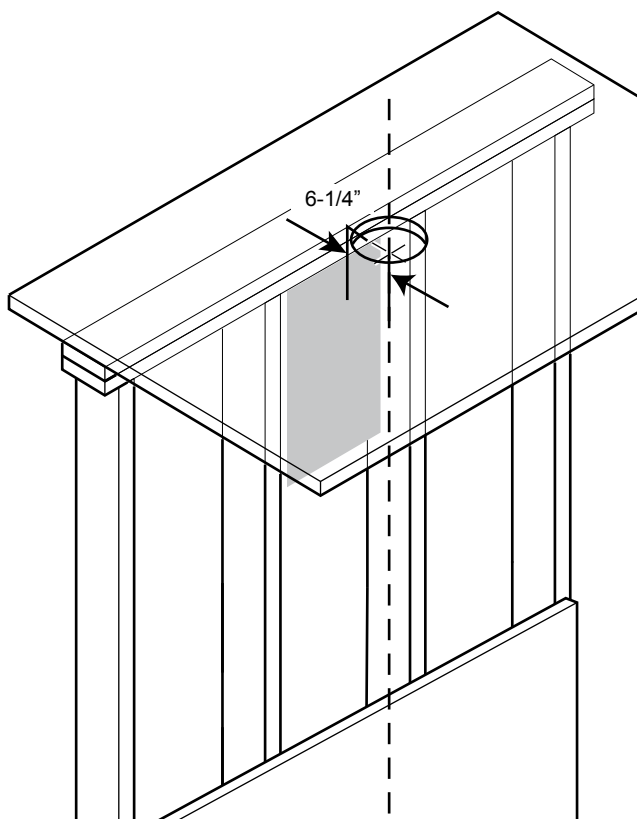
### FOR TOP VENTING

- For ducted installation through the top, the 8" diameter hole for the duct in the ceiling must be centered 6-1/4" away from the finished rear wall in the installation space.

- The hood junction box knockout is located 10-1/2" to the left from center of the hood. Ensure enough wire length is available to make electrical connection.

### FOR BACK VENTING

- For ducted installation through the back, the 10-1/2" x 13-1/4" cut out for the duct in the wall must be centered in the installation space, left to right and located 3-3/4" above intended install height from bottom of the hood.

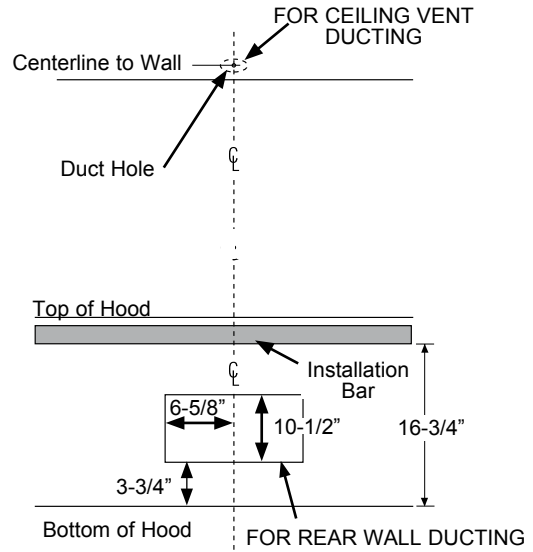




# Installation Instructions

## DETERMINE HOOD, DUCTWORK AND WIRING LOCATIONS

- This hood can be installed onto the wall or underneath the soffit or cabinet.
- For installing the hood to soffit or cabinet, refer to page 19 for alternate mounting method.
- A wall mounting template is included with the product for ease of installation. Follow the instructions below if the template is not being used.
- Measure desired distance from the bottom of the hood to the cooking surface, 24" minimum over electric range or 30" minimum over gas range and 36" recommended maximum.
- Use a level to draw a horizontal line indicating the bottom of the hood.
- Measure 16-3/4" up from the horizontal line indicating the bottom of the hood. Draw another horizontal line to indicate the bottom of the installation bar.
- Use a level to draw the cooktop or range centerline location.



### For Ceiling Ducting:

- If venting out the ceiling, extend the centerline forward on the ceiling to the back wall.
  - Measure 6-1/4" from back wall to mark center point for an 8" diameter duct hole on the ceiling.
  - Cut 8" dia. duct hole on the ceiling.

### Venting Through a Soffit or Cabinet:

- Follow the same procedure for ceiling ducting to cut the hole through the top of the soffit or cabinet.

### For Ducting Through Rear Wall:

**Note:** Check to make sure back damper will not interfere with studs, electrical or plumbing before making cut out.

- Back damper accessory UXBDA812 must be purchased separately for venting through the rear wall.
- Measure 3-3/4" up along the centerline from the horizontal line indicating bottom of the hood.
- Make an 10-1/2" x 13-1/4" cut out centered left to right along the centerline.

### House Wiring Location:

- The junction box is located inside the hood body on the left side. See Illustrations for hood knockout locations. House wiring may enter the junction box from the rear or the top of the hood on the left side.

### To route house wiring through the ceiling, soffit or cabinet:

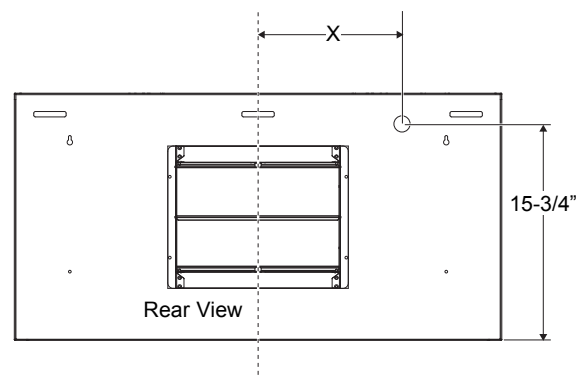
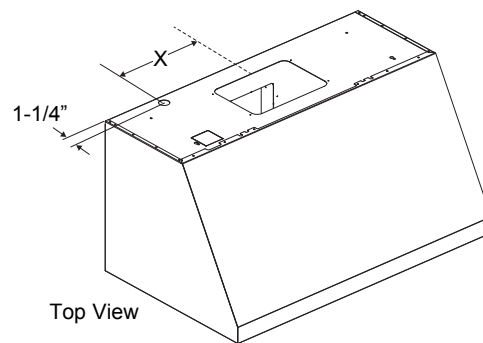
- Cut a hole approximately 1-1/4" dia. forward on the ceiling at a distance (X) to the left of the centerline based on table below.

### To route house wiring through the wall:

**Note:** For back venting, the house wiring must be routed through the rear knockout so it is hidden.

- Measure 15-3/4" from the bottom of the hood and mark location.
- Cut a hole approximately 1-1/4" dia. at the marked location at a distance (X) to the left of the centerline based on table below.
- Remove top or rear knockout depending on your installation.

Models	"X"
30"	9-3/4"
36"	10-1/2"

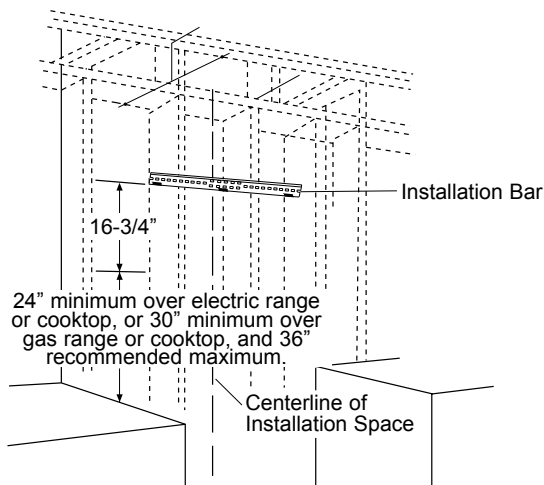


# Installation Instructions

## 1 INSTALL HOOD SUPPORT

**IMPORTANT:** Framing must be capable of supporting 100 lbs.

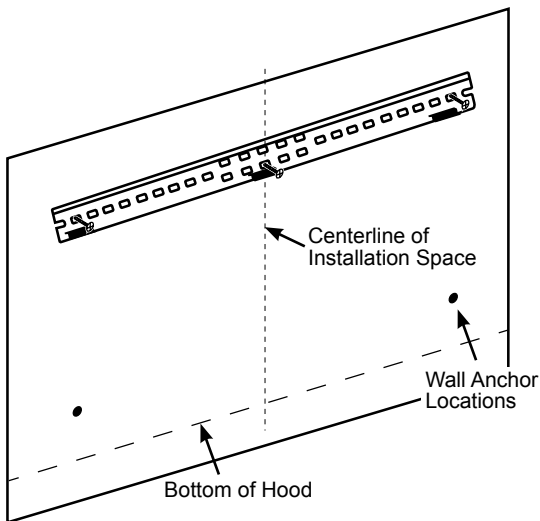
- Locate a minimum of 2 vertical studs for the installation bar by tapping drywall with a hammer or use a stud finder.
- Level the installation bar and center left to right above the marked line. Hold bar against the wall.



- Drill 1/8" pilot holes at the 2 vertical stud locations through holes in the installation bracket. Secure the installation bar with supplied screws (A) as shown above.

### Drill Bottom Mounting Hole Locations:

- Hang hood on installation bar to mark anchor locations. Mark hole locations through the back of the hood. **NOTE:** If installing to the soffit or cabinet, push hood flush to the soffit or cabinet before marking screw hole locations.
- Remove the hood and drill 5/16" clearance holes centered at the marks you made.



## 1 INSTALL HOOD SUPPORT (cont.)

- Install wall anchors (C) by tapping the anchors with a hammer to seat the teeth of the flanges into the wall. This keeps anchor from rotating.
- Drive the anchor screws until the barrels crimp against the inside of the wall.
- Remove the screws from the wall anchors before installing the hood.

## 2 INSTALL DAMPER

**IMPORTANT:** Remove shipping tape from damper and check that damper moves freely.

### Install Top Damper:

- The motor mounting plate comes pre-installed in the hood for top venting.
- Install the top damper to the hood body as shown in Figure A using screws (B) from top of hood.

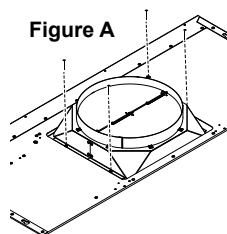
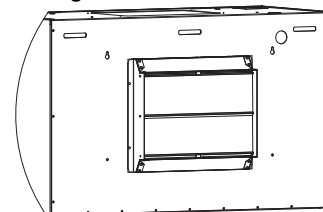


Figure B

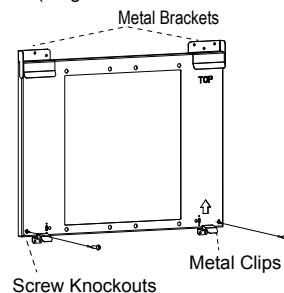


### Install Back Damper:

- In case of back venting through the wall, back damper accessory UXBDA812 must be purchased separately.
- Remove the square knockout panel on hood body for back venting.
- Install the back damper to the hood body as shown in Figure B using screws provided with the accessory.
- Uninstall the motor mounting plate from top venting position. Save the screws.

- Install the metal plate provided with the accessory to cover the opening for top damper.

Figure C (Single motor will look different)



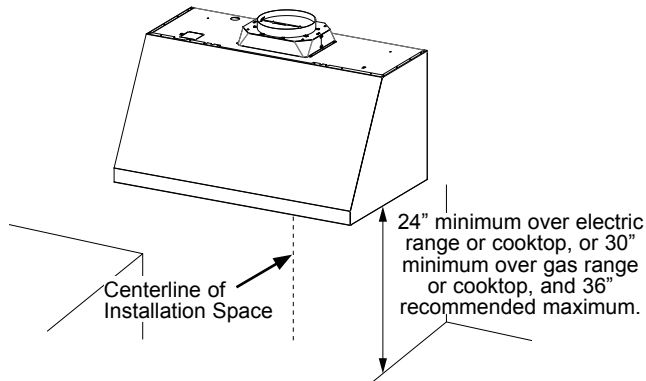
- Remove the two screw knockout holes on the motor mounting plate as shown in Figure C.
- Install the motor mounting plate so that arrow is pointing upwards and on right side.
- Slide plate into the metal brackets and push in until metal clips at the bottom engage.
- Fasten the plate through the two screw hole knockouts as shown in Figure C. Use the two screws you saved.

1" = 2.5 cm; 1' = 0.3 m

# Installation Instructions

## 3 INSTALL HOOD ONTO WALL

- Pull house wiring through knockout at the back or top of the hood.
- Lift the hood and place over the hooks on the installation bar. Allow the hood to slide down into position.
- Check to be sure the hood is level and centered.
- Tighten wall anchor screws (C) to finish hood body installation to the wall.
- Remove cover from junction box inside the hood.



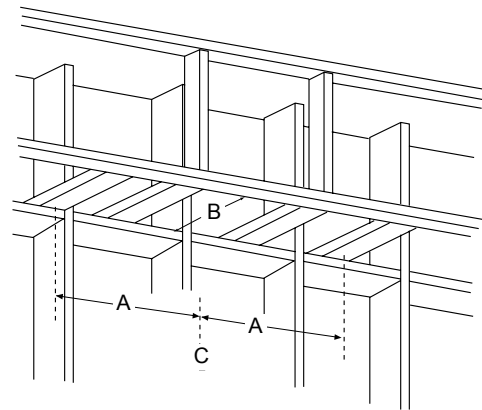
## 4 (Alternate Mounting Method) INSTALL HOOD TO SOFFIT OR CABINET

### SKIP THIS STEP IF USING WALL MOUNTING METHOD

**IMPORTANT:** Soffit or cabinet framing must be capable of supporting 100 lbs.

When necessary the hood may be installed so that it is supported by the soffit or cabinet.

- The soffit should be constructed with 2"x4"s.
- Use a level to draw the cooktop or range center line.
- Continue the centerline forward on the bottom of the soffit.
- Install horizontal wood supports between the 2"x4", at distance A to the left and right, as per the table below.

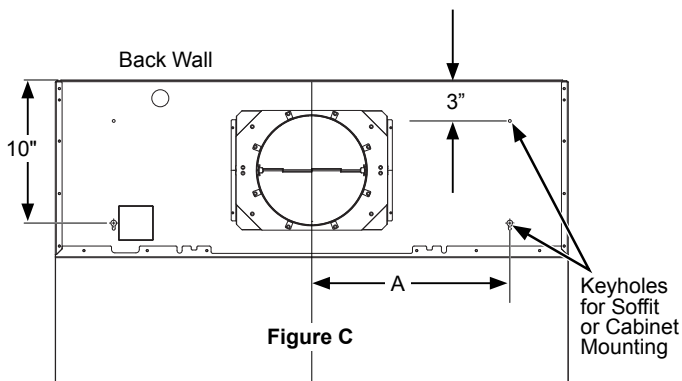


	"A" Center-line to Center Stud	"B" Opening for Ductwork for top venting	"C" Opening for Ductwork for back venting
<b>30" Models</b>	8-3/4"	8-3/8"x11-1/4"	10-1/2"x13-1/4"
<b>36" Models</b>	13-3/4"		

# Installation Instructions

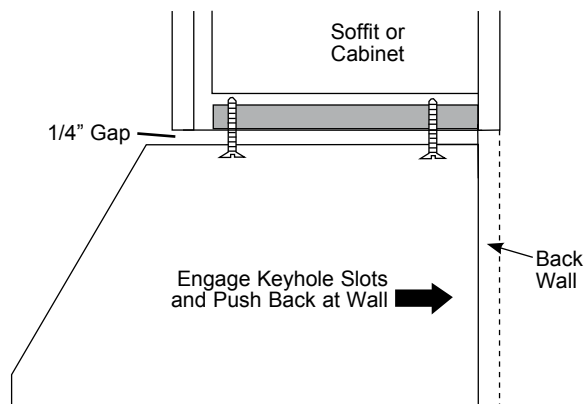
## 4 (Alternate Mounting Method) INSTALL HOOD TO SOFFIT OR CABINET (Cont.)

- Drill two 1/8" pilot holes at a distance of 10" from the back wall in the horizontal wood supports. This is the vertical distance between mounting keyholes and back wall as shown in Figure C
- Drill two more 1/8" pilot holes at a distance of 3" from the back wall in the horizontal wood supports. This is the vertical distance between mounting screw holes and back wall as shown in Figure C.
- For top venting, allow minimum opening (Dim. B) to accommodate damper in soffit or cabinet.
- For back venting, allow minimum opening (Dim. C) to accommodate damper in back wall



- Drive mounting screws (A) into the studs until they protrude 1/4". This 1/4" gap will provide clearance to engage the keyhole slots in the top of the hood.

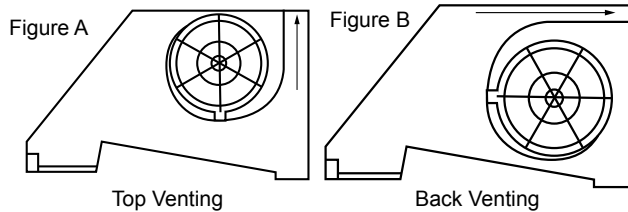
- The hood must also be secured to the back wall. Follow instruction on page 18, "**Drill Bottom Mounting Hole Locations**" section for installation to the back wall.
- Follow instructions on page 17, "**House Wiring Locations**" section for wiring setup.
- Lift hood onto mounting screws. Slide back against the rear wall.
- Pull house wiring through the knockout at the rear or top of the hood.
- Tighten mounting screws (A).
- Once the hood is secured to the soffit or cabinet, drive screws (C) to secure the hood to the back wall.



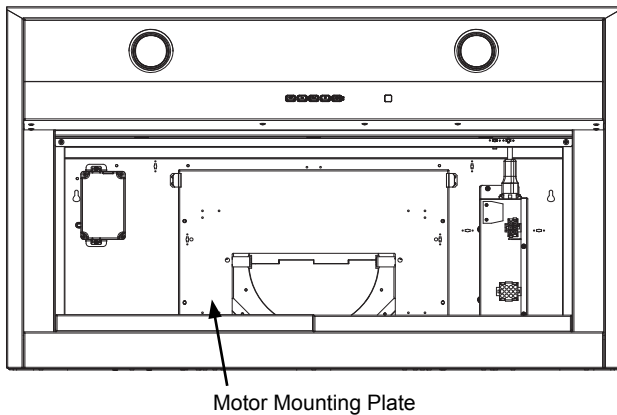
# Installation Instructions

## 5 INSTALL MOTOR

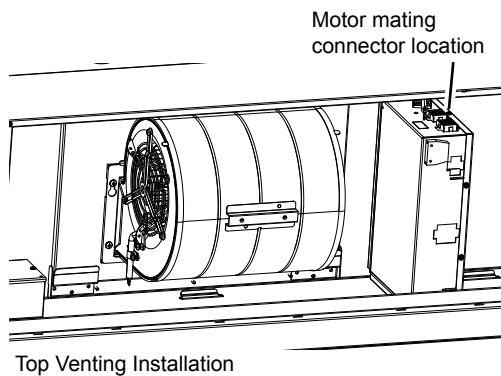
I) Align the motor exhaust with the top damper as shown in the Figure A for top venting. In case of back venting, rotate the motor 90° to align with the back damper as shown in Figure B.



II) Secure the motor to motor mounting plate using screws (D).



III) Plug the motor connector into the mating connector on top of the control housing.

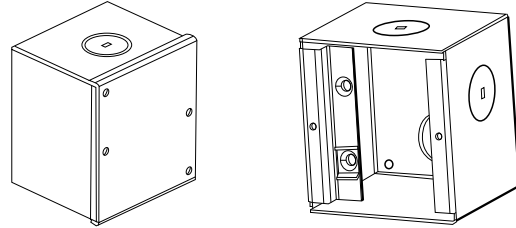


## 6 CONNECT ELECTRICAL

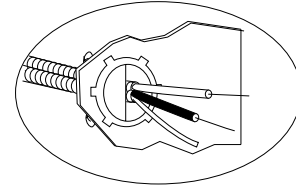
Verify that power is turned off at the source.

**WARNING** If house wiring is not 2-wire with a ground wire, a ground must be provided by the installer. When house wiring is aluminum, be sure to use UL approved anti-oxidant compound and aluminum-to-copper connectors.

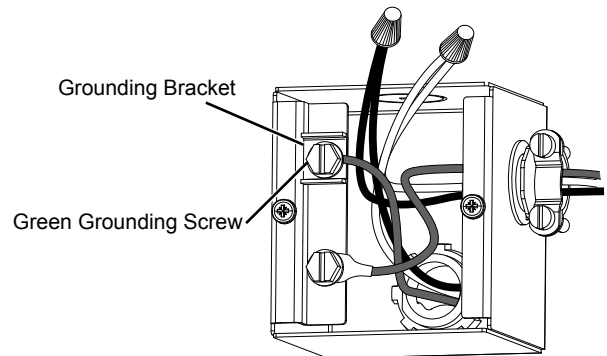
- Remove junction box cover.



- Pull the house wiring through the knockout at the top or back of the hood and secure with the strain relief.



- Use UL listed wire nuts to connect incoming white to white, and black to black wires.
- Loosen the green grounding screw (with grounding bracket) in the junction box. Loop solid copper house wire clockwise around the green grounding screw and above the bracket. Firmly tighten the screw over the loop.



- Replace junction box cover and ensure wires are not pinched.

**NOTE:** For corded installation:

Use only with range hood cord-connection kits that have been investigated and found acceptable for use with this model range hood.

# Installation Instructions

## 7 CONNECT DUCTWORK

### A. Vented Installation

- Connect the house ducting to the top damper as shown in Figure A.
- For back venting, connect the transition piece to the back damper and the house ducting to the transition as shown in Figure B.
- Seal all connections with duct tape.

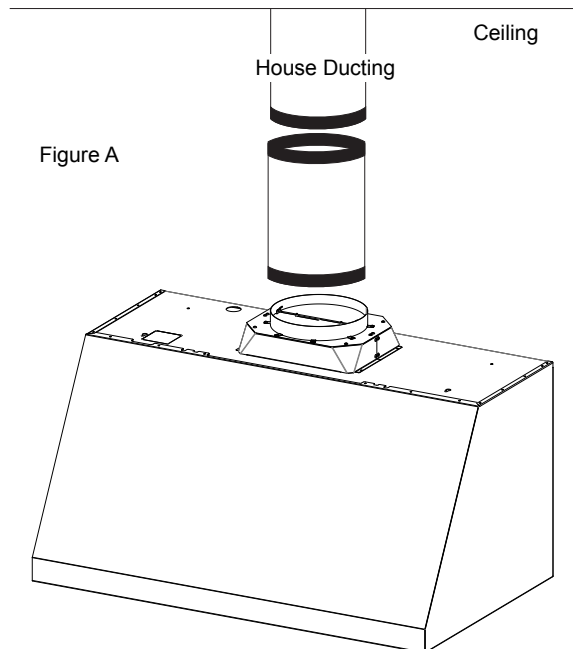


Figure A

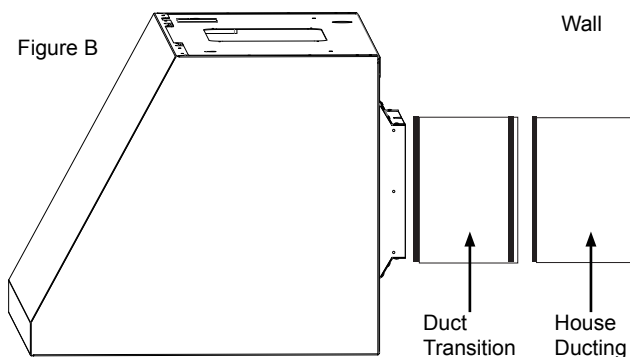


Figure B

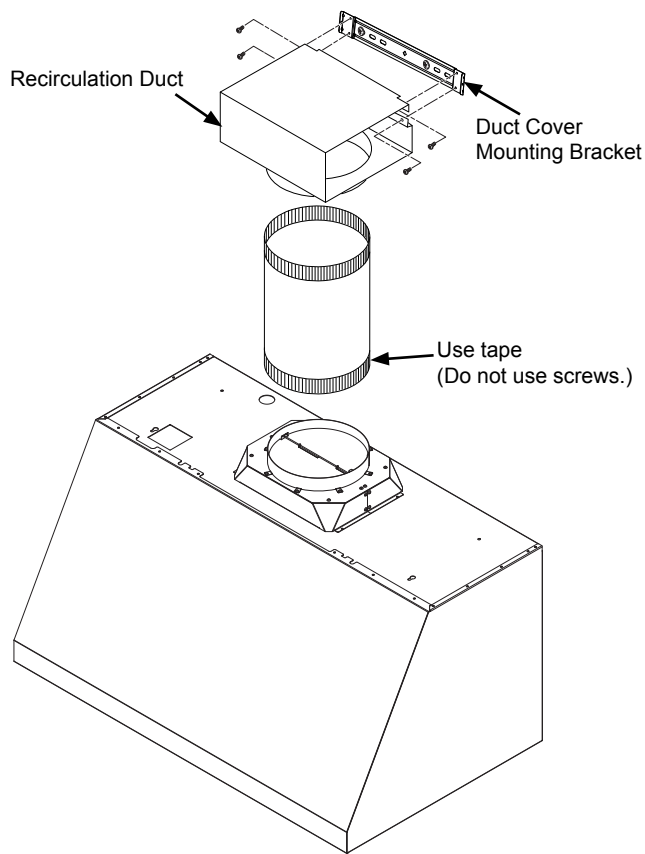
### ⚠ CAUTION

Do not use sheet metal screws at the transition to ductwork connection. Doing so will prevent proper damper operations. Seal connection with tape only.

### B. Recirculation (non-vented) Installation

**NOTE:** A recirculation duct (WB34X30519), and Charcoal Filter (UXCF91), are not included with the hood and are necessary for recirculation installation.

1. Attach the recirculation duct to the duct cover mounting bracket with screws provided.
2. Connect the ducting from the exhaust outlet on the hood to the recirculation duct. Use duct tape to seal the connections.



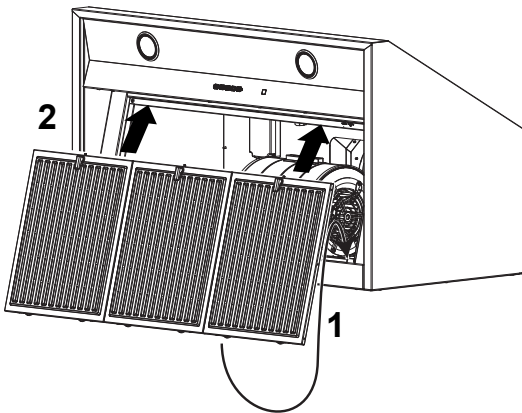
# Installation Instructions

## 8 INSTALL DUCT COVERS

- Refer to section “Duct Cover Requirements” section for duct cover accessory part numbers.
- Follow instructions included with the duct cover accessory to install duct covers.

## 9 INSTALL GREASE TRAYS AND FILTERS

- Remove protective film.
- Place grease drip trays into slots.
- Install the baffle filters.
- See page 7 for instructions to install or remove filters and grease trays.



# Installation Instructions

## MAKE UP AIR TECHNOLOGY

This operation must be performed by a qualified technician or installer.

**Note to Installers and Inspectors:** This product comes equipped with a simple installation feature that limits maximum CFM levels in order to comply with certain local codes or regulations. This installation method may not be necessary for all installations, please refer to your local codes for further guidelines.

This makeup air feature applies to single motor models only.

**⚠ CAUTION** Hood must be disconnected from main power prior performing the conversion instructions listed below. Failure to do so could result in personal injury or damage to the product.

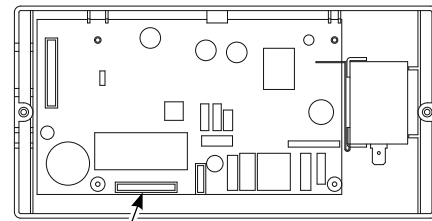
To modify unit (if needed for local codes):

### 390CFM

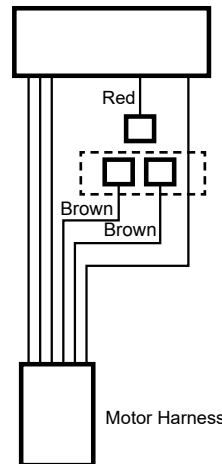
By design, the maximum blower speed is greater than 400 CFM. For local codes requiring reduced CFM, modify the wiring as described below:

1. Remove the baffle filters.
2. Disconnect all the harnesses from the top of control box located on right side of motor.
3. Loosen the screws on top of control box and slide out to remove it from the hood.
4. Uninstall the control box cover.
5. For a maximum of 390 CFM Unit can operate with 4 speeds (Low, Medium, High, Boost).
  - i. Disconnect connectors of the **BROWN** wire.
  - ii. Remove the cap attached to the connector of the **RED** wire.
  - iii. Connect the mating connector of the **BROWN** wire and the **RED** wire.
  - iv. Attach the cap to the open **BROWN** wire connector.
6. Reinstall control box cover and secure control box to the bracket in the hood using the two screws.
7. Connect all harnesses on top of the control box.
8. Reinstall filters.

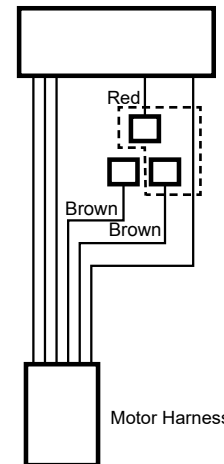
**Note to Inspectors:** To verify this product installation, check motor wiring connections as described above.



Motor Harness Connector



Factory Installed Wiring Setup



Max 390 CFM Boost Wiring Setup



# Troubleshooting tips ... Before you schedule service

Save time and money! Review the charts on the following pages first and you may not need to schedule service.

<b>Problem</b>	<b>Possible Cause</b>	<b>What To Do</b>
<b>Fan/Light does not operate when button is turned ON</b>	A house fuse may be blown or a circuit breaker tripped.	Replace fuse or reset circuit breaker.
<b>Loud or abnormal airflow noise</b>	Wrong duct size used in installation.	This hood requires 8" ducting to perform optimally. Using smaller duct pipe will cause reduced venting. Minimize the duct run length and number of transitions and elbows. GE Appliances service technicians cannot correct this issue if installed improperly.
<b>Fan fails to circulate air or moves air slower than normal and/or fan is making loud or abnormal airflow noise</b>	Obstructions in duct work.	Make sure nothing is blocking the vent. Make sure your wall or roof cap has a blade or door.
	Damper blade on wall or roof cap may not be open.	Make sure damper swings freely. Damper blades may flip over and will not fully open when this happens. Adjust to original position.
	Metal grease filter and charcoal filter (if present) may be dirty.	Clean the metal grease filter and replace charcoal filter (if present). See Care and Cleaning of the Vent Hood.
<b>Fan keeps going off and on</b>	The motor is probably overheating and turning itself off. This can be harmful to the motor.	Check to be sure the filters are clean. If off and on cycling continues, call for service.
<b>Hood will not work remotely</b>	Router issues, no wireless signal, etc.	For assistance with hood wireless network connectivity, please call 800.220.6899.
	Hood is not connected.	

# Café Vented Range Hood Limited Warranty

## cafeappliances.com

All warranty service is provided by our Factory Service Centers, or an authorized service technician. To schedule service online, visit us at [cafeappliances.com/service](https://cafeappliances.com/service). In Canada, please visit: [https://service.geappliances.ca/servicio/en\\_CA](https://service.geappliances.ca/servicio/en_CA). Please have your serial number and your model number available when scheduling service.

Servicing your appliance may require the use of the onboard data port for diagnostics. This gives a Café factory service technician the ability to quickly diagnose any issues with your appliance and helps Café improve its products by providing Café with information on your appliance. If you do not want your appliance data to be sent to Café, please advise your technician not to submit the data to Café at the time of service.

For the period of	Café will replace
<b>One year</b> From the date of the original purchase	<b>Any part</b> which fails due to a defect in materials or workmanship. During this <b>limited one-year warranty</b> , Café will provide, <b>free of charge</b> , all labor and related service costs to replace the defective part.

### What Café will not cover:

- Service trips to your home to teach you how to use the product.
- Improper installation, delivery, or maintenance.
- Failure of the product if it is abused, misused, modified, or used for other than the intended purpose or used commercially.
- Replacement of house fuses or resetting of circuit breakers.
- Damage to the product caused by accident, fire, floods, or acts of God.
- Incidental or consequential damage caused by possible defects with this appliance.
- Damage caused after delivery.
- Product not accessible to provide required service.
- Service to repair or replace light bulbs, except for LED lamps.

### EXCLUSION OF IMPLIED WARRANTIES

Your sole and exclusive remedy is product repair as provided in this Limited Warranty. Any implied warranties, including the implied warranties of merchantability or fitness for a particular purpose, are limited to one year or the shortest period allowed by law.

This limited warranty is extended to the original purchaser and any succeeding owner for products purchased for home use within the USA. If the product is located in an area where service by a Café Authorized Servicer is not available, you may be responsible for a trip charge or you may be required to bring the product to an Authorized Café Service location for service. In Alaska, the limited warranty excludes the cost of shipping or service calls to your home.

Some states do not allow the exclusion or limitation of incidental or consequential damages. This limited warranty gives you specific legal rights, and you may also have other rights which vary from state to state. To know what your legal rights are, consult your local or state consumer affairs office or your state's Attorney General.

**Warrantor: GE Appliances, a Haier company**

Louisville, KY 40225

**Warrantor in Canada: MC Commercial, Burlington, ON, L7R 5B6**

Staple your receipt here. Proof of the original purchase date is needed to obtain service under the warranty.

# Accessories

---

## Looking For Something More?

Café offers a variety of accessories to improve your cooking and maintenance experiences!

Refer to the Consumer Support page for website information.

The following products and more are available:

### Parts

---

Baffle Filters

---

Grease Drip trays

---

Duct Covers

---

Remote Control

---

Charcoal Filters

---

Recirculation Kit

---

Back Venting Damper

---

15" Cabinet Filler Panel

---

Power Cord Kit

---

### Cleaning Supplies

---

CitruShine™ Stainless Steel Wipes

---

Stainless Steel Appliance Cleaner

---

Bar Keepers Friend Soft Cleanser™

---

# Consumer Support

---

## Café Website

Have a question or need assistance with your appliance? Try the Café website 24 hours a day, any day of the year! You can also shop for more great Café products and take advantage of all our on-line support services designed for your convenience. In the US: [cafeappliances.com](http://cafeappliances.com). In Canada: [cafeappliances.ca](http://cafeappliances.ca).

---

## Register Your Appliance

Register your new appliance on-line at your convenience! Timely product registration will allow for enhanced communication and prompt service under the terms of your warranty, should the need arise. You may also mail in the pre-printed registration card included in the packing material.

In the US: [cafeappliances.com/register](http://cafeappliances.com/register)

In Canada: [https://service.geappliances.ca/servicio/en\\_CA/](https://service.geappliances.ca/servicio/en_CA/)

---

## Schedule Service

Expert Café repair service is only one step away from your door. Get on-line and schedule your service at your convenience any day of the year.

In the US: [cafeappliances.com/service](http://cafeappliances.com/service)

In Canada: [https://service.geappliances.ca/servicio/en\\_CA/](https://service.geappliances.ca/servicio/en_CA/)

---

## Extended Warranties

Purchase a Café extended warranty and learn about special discounts that are available while your warranty is still in effect. You can purchase it on-line anytime. Café Service will still be there after your warranty expires.

In the US: [cafeappliances.com/extended-warranty](http://cafeappliances.com/extended-warranty)

---

## Remote Connectivity

For assistance with wireless network connectivity (for models with remote enable), visit our website at [cafeappliances.com/connect](http://cafeappliances.com/connect)

---

## Parts and Accessories

Individuals qualified to service their own appliances can have parts or accessories sent directly to their homes (VISA, MasterCard and Discover cards are accepted). Order on-line today 24 hours every day.

In the US: [cafeappliances.com/parts](http://cafeappliances.com/parts)

**Instructions contained in this manual cover procedures to be performed by any user. Other servicing generally should be referred to qualified service personnel. Caution must be exercised, since improper servicing may cause unsafe operation.**

---

## Contact Us

If you are not satisfied with the service you receive from Café, contact us on our website with all the details including your phone number, or write to:

In the US: General Manager, Customer Relations | Café Appliances, Appliance Park | Louisville, KY 40225  
[cafeappliances.com/contact](http://cafeappliances.com/contact)

In Canada: Director, Customer Relations, Mabe Canada Inc. | Suite 310, 1 Factory Lane | Moncton, N.B. E1C 9M3  
[GEAppliances.ca/en/contact-us](https://GEAppliances.ca/en/contact-us)

---



DISTINCT BY DESIGN<sup>MC</sup>

## Manuel de l'utilisateur et instructions d'installation

# Hottes de cuisinière à évacuation

avec ventilateur QuietBoost<sup>MC</sup>

Modèles : CVW9304 et CVW9364

### Table des matières

<b>Sécurité</b> .....	3	<b>Instructions d'installation</b> .....	9
<b>Utilisation de la hotte</b>		<b>Conseils de dépannage</b> .....	25
Commandes .....	5	<b>Garantie limitée</b> .....	26
Chef Connect. ....	5	<b>Accessoires</b> .....	27
Connexion Wi-Fi .....	6	<b>Service à la clientèle</b> .....	28
<b>Entretien et nettoyage</b>			
Filtre .....	7		
Surfaces .....	8		
Lumières .....	8		

Inscrivez ici les numéros de modèle et de série :

N° de modèle \_\_\_\_\_

N° de série \_\_\_\_\_

Ces numéros se trouvent sur une étiquette située à l'intérieur de la hotte.

## **MERCI DE PERMETTRE À CAFÉ DE FAIRE PARTIE DE VOTRE FOYER.**

---

Nous sommes fiers du savoir-faire, de l'innovation et du design qui font partie intégrante de tous les produits Café que nous fabriquons, et nous pensons que vous le serez aussi. À cet égard, l'enregistrement de votre appareil nous assure que nous pourrions vous fournir des informations importantes sur votre appareil et des détails sur sa garantie si vous en avez besoin.

Enregistrez votre appareil Café en ligne dès maintenant. Des sites Web utiles sont disponibles dans la section « Service à la clientèle » de ce manuel de l'utilisateur. Vous pouvez également envoyer par courrier la carte d'enregistrement préimprimée qui se trouve dans l'emballage de votre appareil.

**C A F É**

---

**D I S T I N C T B Y D E S I G N<sup>™</sup>**

# CONSIGNES DE SÉCURITÉ IMPORTANTES

## LISEZ TOUTES LES INSTRUCTIONS AVANT D'UTILISER VOTRE APPAREIL.

**⚠ AVERTISSEMENT** POUR DIMINUER LES RISQUES D'INCENDIE, DE CHOC ÉLECTRIQUE OU DE BLESSURES, SUIVEZ LES CONSIGNES SUIVANTES :

- A. Cet appareil doit uniquement être utilisé aux fins prévues par son fabricant. Si vous avez des questions, contactez le fabricant.
- B. Avant de réparer ou de nettoyer l'appareil, coupez l'alimentation au tableau de distribution et bloquez le disjoncteur pour éviter que le courant ne soit accidentellement rétabli. Quand il n'est pas possible de bloquer le disjoncteur, placez un dispositif d'avertissement bien visible, comme une étiquette, sur le tableau de distribution.
- C. N'utilisez pas cet appareil avec un dispositif de contrôle de la vitesse à semi-conducteurs.
- D. Cet appareil doit être mis à la terre.

**⚠ ATTENTION** POUR ÉVACUATION DE TYPE GÉNÉRAL SEULEMENT. N'UTILISEZ PAS CET APPAREIL POUR ÉVACUER DES SUBSTANCES OU DES VAPEURS NOCIVES OU EXPLOSIVES.

**⚠ ATTENTION** Pour réduire les risques d'incendie et assurer l'évacuation adéquate de l'air, assurez-vous d'acheminer les conduits vers l'extérieur. N'évacuez pas l'air dans des espaces intra-muraux, dans le plafond, dans le grenier, dans un vide sanitaire ou dans le garage.

**⚠ AVERTISSEMENT** POUR RÉDUIRE LES RISQUES DE BLESSURES S'IL SURVIENT UN FEU DE GRAISSE SUR LA CUISINIÈRE, SUIVEZ LES CONSIGNES SUIVANTES\* :

- A. ÉTOUFFEZ LES FLAMMES en recouvrant l'ustensile d'un couvercle, d'une plaque à biscuits ou d'un plateau en métal, puis éteignez le brûleur ou l'élément. PRENEZ GARDE DE NE PAS VOUS BRÛLER. Si les flammes ne s'éteignent pas immédiatement, ÉVACUEZ LES LIEUX ET APPELEZ LE SERVICE D'INCENDIE.
- B. N'ESSAYEZ JAMAIS DE SAISIR UN USTENSILE EN FEU; vous pourriez vous brûler.
- C. N'UTILISEZ PAS D'EAU, ni de torchons ou serviettes humides; une violente explosion de vapeur en résulterait.
- D. Utilisez un extincteur SEULEMENT si :
  - 1. Vous avez en votre possession un extincteur de classe ABC et vous savez vous en servir.
  - 2. Le feu n'est pas important et est circonscrit à l'endroit où il s'est déclaré.
  - 3. Vous avez appelé les pompiers.
  - 4. Vous pouvez combattre le feu en faisant dos à une sortie.

\* Basé sur le document « [Kitchen Firesafety Tips](#) » (Conseils de sécurité-incendie pour la cuisine) publié par la NFPA.

**⚠ AVERTISSEMENT** POUR RÉDUIRE LES RISQUES DE FEU DE GRAISSE SUR LA CUISINIÈRE :

- A. Ne laissez jamais sans surveillance les éléments de surface à des réglages élevés. Les débordements provoquent de la fumée et des déversements graisseux qui peuvent s'enflammer. Faites chauffer l'huile doucement à un réglage bas ou moyen.
- B. Mettez toujours la hotte en MARCHE lorsque vous cuisinez à feu fort ou que vous faites flamber des aliments (p. ex., des crêpes Suzette, des cerises jubilé ou du bœuf flambé au poivre).
- C. Nettoyez régulièrement les ventilateurs. Ne laissez pas la graisse s'accumuler sur le ventilateur ou sur le filtre.
- D. Utilisez des ustensiles de dimensions appropriées. Utilisez toujours des casseroles dont la taille correspond à celle de l'élément de cuisson.

## LISEZ ET CONSERVEZ CES INSTRUCTIONS

# CONSIGNES DE SÉCURITÉ IMPORTANTES

## LISEZ TOUTES LES INSTRUCTIONS AVANT D'UTILISER VOTRE APPAREIL.

**⚠ AVERTISSEMENT** POUR DIMINUER LES RISQUES D'INCENDIE, DE CHOC ÉLECTRIQUE OU DE BLESSURES, SUIVEZ LES CONSIGNES SUIVANTES :

- A. L'installation et le câblage électrique doivent être effectués par une personne qualifiée conformément à tous les codes et à toutes les normes en vigueur, en particulier ceux et celles concernant la résistance au feu de la construction.
- B. Une quantité d'air suffisante est nécessaire à une combustion et à une évacuation appropriées des gaz par le conduit d'évacuation (cheminée) de l'équipement à combustible pour éviter tout refoulement. Suivez les instructions et normes de sécurité du fabricant de l'appareil chauffant, comme celles publiées par la National Fire Protection Association (NFPA), l'American Society for Heating, Refrigeration and Air Conditioning Engineers (ASHRAE) et les autorités locales. Le cas échéant, installez un système d'air d'appoint (de remplacement) conformément aux exigences du code du bâtiment local. Visitez [cafeappliances.com](http://cafeappliances.com) pour connaître les solutions d'air d'appoint offertes.
- C. Lorsque vous effectuez des découpes ou que vous percez dans un mur ou un plafond, n'endommagez pas le câblage électrique ou les installations des services publics.
- D. L'air des ventilateurs pourvus de conduits de ventilation doit toujours être évacué vers l'extérieur.
- E. Désactivez le disjoncteur dans les pièces adjacentes lorsque vous effectuez ces travaux.

**⚠ AVERTISSEMENT** POUR RÉDUIRE LES RISQUES D'INCENDIE, N'UTILISEZ QUE DES CONDUITS EN MÉTAL.

N'essayez pas de réparer ou de remplacer une pièce de la hotte, sauf si cela est spécifiquement recommandé dans ce manuel. Toutes les autres réparations doivent être confiées à un technicien qualifié.

### Pour retirer la pellicule protectrice et le ruban adhésif d'emballage

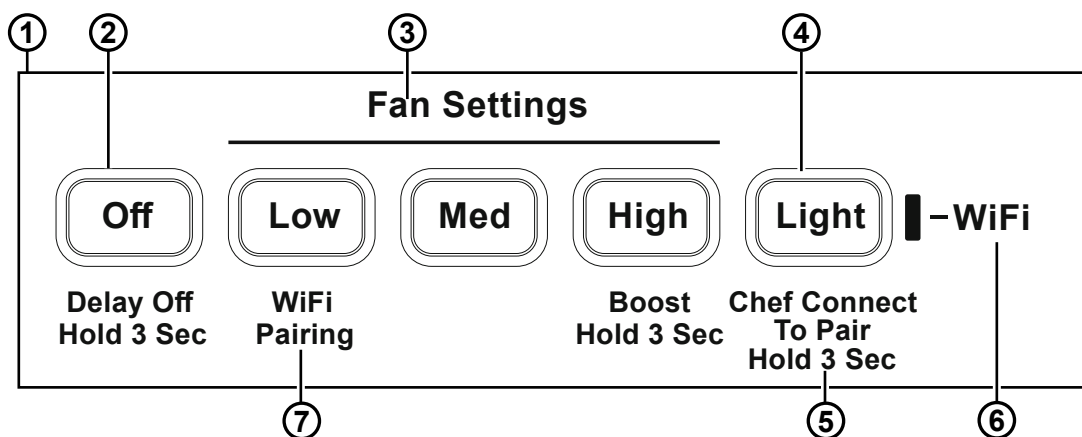
Saisissez soigneusement un des coins de la pellicule protectrice avec vos doigts et décollez-la doucement de la surface de l'appareil. N'utilisez aucun objet coupant pour enlever la pellicule. Retirez toute la pellicule avant d'utiliser l'appareil pour la première fois.

Pour vous assurer de ne pas endommager le fini de l'appareil lorsque vous enlevez la colle laissée par le ruban adhésif d'emballage, la méthode la plus sûre consiste à utiliser un détergent à vaisselle. Appliquez le produit choisi avec un chiffon doux et laissez-le pénétrer.

**REMARQUE :** Vous devez enlever la colle résiduelle de toutes les pièces.

## LISEZ ET CONSERVEZ CES INSTRUCTIONS





## 1. Panneau de commande de la hotte :

Le panneau de commande est situé sous le bord avant du toit de la hotte. La position et la fonction de chaque touche de commande sont indiquées ci-dessous.

- 2. Marche/arrêt du ventilateur :** Touche de marche/arrêt du ventilateur. Le ventilateur peut être activé en appuyant sur l'une ou l'autre des touches de réglage du ventilateur. Maintenez la touche **Off** (arrêt) enfoncée pendant 3 secondes pour activer la fonction Delay Off (arrêt différé), qui éteint automatiquement le ventilateur après 15 minutes. Les voyants à DEL des touches Low (bas), Med (moyen) et High (élevé) clignoteront pour indiquer que la fonction Delay Off (arrêt différé) est activée.
- 3. Fan Settings (réglages du ventilateur) :** Ces touches servent à contrôler la vitesse du ventilateur. La vitesse du ventilateur est alimentée par la **technologie QuietBoost<sup>MC</sup>**. Cette technologie unique est conçue pour minimiser le bruit de ventilation et améliorer l'efficacité du moteur pour une cuisine silencieuse et sans odeur. Appuyez sur la touche **Low** (bas) pour la BASSE vitesse, sur la touche **Med** (moyen) pour la vitesse MOYENNE et sur la touche **High** (élevé) pour la vitesse ÉLEVÉE. Maintenez la touche High (élevé) enfoncée pendant 3 secondes pour activer la vitesse suralimentée (Boost) qui fonctionnera pendant 15 minutes. La lumière à DEL de la touche High (élevé) clignotera pour indiquer que la fonction Boost (suralimenté) est activée.

- 4. Light (lumière) :** Interrupteur Off/On/Night (arrêt/marche/veilleuse) des lumières à DEL. Appuyez sur la touche **Light** (lumière) pour allumer les lumières, appuyez de nouveau pour régler les lumières en mode veilleuse et appuyez une nouvelle fois pour éteindre les lumières.

- 5. Chef Connect :** Il s'agit d'une fonction de jumelage Bluetooth<sup>MD</sup> à utiliser avec d'autres produits compatibles Chef Connect comme une surface de cuisson ou une cuisinière. Lorsque l'appareil est jumelé, les paramètres de synchronisation par défaut seront activés lors de la réception d'une commande de la cuisinière ou de la surface de cuisson. Pour modifier le paramètre de synchronisation par défaut, reportez-vous à la section « Chef Connect ». Pour jumeler des appareils, maintenez enfoncée la touche **Light** (lumière) pendant 3 secondes. Pour annuler le jumelage, maintenez de nouveau la touche enfoncée pendant 3 secondes. Pour plus de détails, consultez la section « Chef Connect ».

- 6. Capteur infrarouge :** Récepteur de télécommande lorsqu'il est utilisé avec l'ensemble de télécommande.

- 7. Wi-Fi :** Maintenez enfoncée la touche Low (bas) pendant 3 secondes pour lancer la connexion Wi-Fi. Le voyant Wi-Fi s'allume une fois connecté (reportez-vous à la section « Connexion Wi-Fi » pour plus de détails).

## Chef Connect

### Mode d'emploi de la connexion Bluetooth<sup>MD</sup> Chef Connect

#### Jumelage avec un autre appareil :

Pour démarrer la fonction de jumelage de la hotte, appuyez sur la touche **Light** (lumière) et maintenez-la enfoncée pendant 3 secondes. Toutes les icônes clignoteront jusqu'à ce que la hotte soit jumelée à la cuisinière ou à un autre appareil. Si la connexion est établie, toutes les touches clignoteront 3 fois simultanément, puis s'éteindront. Les lumières de la hotte et le réglage de synchronisation par défaut du ventilateur seront activés. La connexion expirera après 2 minutes si elle n'est pas complétée et elle devra être effectuée à nouveau.

#### Annuler le jumelage :

Pour annuler le jumelage, appuyez sur la touche **Light** (lumière) et tenez-la enfoncée pendant 3 secondes, puis arrêtez la hotte.

#### Paramètres de synchronisation par défaut :

Par défaut, la lumière est réglée en usine au réglage élevé.

Par défaut, la synchronisation du ventilateur est réglée en usine à OFF (désactivée).

L'utilisateur peut modifier les paramètres de synchronisation par défaut en maintenant la touche **Med** (moyen) enfoncée pendant 3 secondes. Cela permettra d'entrer en mode « paramètres par défaut ». Une fois ce mode activé, les voyants de rétroéclairage de tous les boutons clignoteront indéfiniment et le ventilateur et la lumière s'allumeront selon les réglages de la synchronisation par défaut en cours afin que l'utilisateur puisse connaître la valeur par défaut actuelle de ces réglages. Vous pouvez maintenant régler les paramètres par défaut de la lumière et du ventilateur aux niveaux souhaités. Une fois que vous êtes satisfait des paramètres choisis, maintenez la touche **Off** (arrêt) enfoncée pendant 3 secondes. Cela vous fera quitter le mode de paramètres par défaut. Les voyants de rétroéclairage cesseront alors de clignoter et le ventilateur et la lumière se régleront aux niveaux qui étaient les leurs avant d'entrer en mode « paramètres par défaut ».

# Connexion Wi-Fi

## Connecter votre hotte compatible Wi-Fi (certains modèles)

Votre hotte Café est conçue pour vous fournir une communication bidirectionnelle entre votre appareil et un périphérique intelligent. En utilisant les fonctionnalités de connexion Wi-Fi des appareils Café, vous serez en mesure de contrôler les principales opérations de la hotte, telles que les paramètres de la vitesse du ventilateur, de l'éclairage, de l'arrêt différé du ventilateur et des notifications concernant le nettoyage ou le remplacement des filtres à l'aide de votre téléphone intelligent ou votre tablette.

Cet appareil est conforme à la section 15 des règlements de la FCC. Le fonctionnement de l'appareil est soumis aux deux conditions suivantes : 1) cet appareil ne doit pas causer d'interférences nuisibles, et 2) il doit accepter toute interférence reçue, y compris les interférences risquant d'engendrer un fonctionnement indésirable.

### Ce dont vous avez besoin

Votre hotte Café utilise votre réseau Wi-Fi domestique existant pour communiquer avec votre périphérique intelligent. Afin de configurer votre hotte Café, vous aurez besoin de rassembler quelques informations :

1. Chaque hotte Café comporte une étiquette d'information de connexion sur laquelle figurent le nom réseau de l'appareil et le mot de passe. Ce sont deux données importantes dont vous aurez besoin pour vous connecter à l'appareil. L'étiquette est située sur le côté de l'appareil, derrière les filtres.

Connected Appliance Information	
FCC ID: ZKJ-WCATA005	Network: *****
IC: 10229A-WCATA001	Password: *****
MAC ID: *****	

Exemple d'étiquette

2. Il vous faut disposer d'un téléphone intelligent ou d'une tablette en mesure d'accéder à Internet et de télécharger des applications.
3. Vous aurez besoin de connaître le mot de passe de votre routeur Wi-Fi domestique. Ayez ce mot de passe sous la main lorsque vous serez prêt à configurer votre hotte Café.

### Connecter votre hotte Café

1. Sur votre téléphone intelligent ou votre tablette, visitez le site à [cafeappliances.com/connect](http://cafeappliances.com/connect) pour en savoir plus sur les fonctionnalités des électroménagers connectés et pour télécharger l'application appropriée.
2. Suivez les instructions à l'écran de l'application pour connecter votre hotte Café.
3. Une fois le processus terminé, le voyant situé sur l'écran de votre hotte Café restera allumé et l'application confirmera que vous êtes connecté.
4. Si le voyant ne s'allume pas ou clignote, suivez les instructions de l'application pour vous reconnecter. Si les problèmes persistent, veuillez visiter [cafeappliances.com/connect](http://cafeappliances.com/connect) pour obtenir plus d'informations sur la connectivité sans fil de votre hotte.

Pour connecter des périphériques intelligents supplémentaires, répétez les étapes 1 et 2.

Notez que tout changement ou modification du dispositif d'activation à distance installé sur cette hotte qui n'est pas expressément approuvé par le fabricant peut annuler le droit de l'utilisateur à faire fonctionner l'équipement.

### Fonctionnalités Wi-Fi améliorées

Une fois que votre produit est connecté au Wi-Fi, vous avez accès à des fonctionnalités améliorées via l'application de votre téléphone.

**Delay Off Timer (minuterie d'arrêt différé) :** Cette fonction permet à l'utilisateur d'ajuster le délai de l'arrêt différé de 1 à 15 minutes. Le délai d'arrêt par défaut est de 15 minutes.

**Boost Timer (minuterie de suralimentation) :** Cette fonction permet à l'utilisateur d'ajuster la durée du mode de vitesse suralimentée du ventilateur de 1 à 15 minutes. La durée du mode suralimenté par défaut est de 15 minutes.

**Night Light Timer (minuterie de la veilleuse) :** Cette fonction permet à l'utilisateur de régler l'heure à laquelle la veilleuse s'allume et s'éteint automatiquement.

**Grease/Charcoal Filter Notifications (notifications concernant les filtres à graisse/charbon) :** Cette fonction envoie un rappel régulier à l'utilisateur de nettoyer ses filtres à graisse et/ou de remplacer son filtre à charbon, si la hotte est configurée en mode recyclage de l'air.

\* Appareils compatibles Apple ou Android et réseau Wi-Fi domestique requis.

# Filtres

Assurez-vous que le disjoncteur électrique est en position « fermée » et que toutes les surfaces sont froides avant de nettoyer ou de réparer la hotte.

Les filtres à déфлекteur et les plateaux d'égouttement résistent au lave-vaisselle et doivent être nettoyés tous les mois selon l'utilisation de la hotte.

## Plateau d'égouttement

### Pour installer un plateau d'égouttement :

Mettez un plateau d'égouttement en place dans le rail de la hotte. Glissez les plateaux d'égouttement vers la gauche ou la droite jusqu'à ce que tous les plateaux soient côte à côte dans le rail.

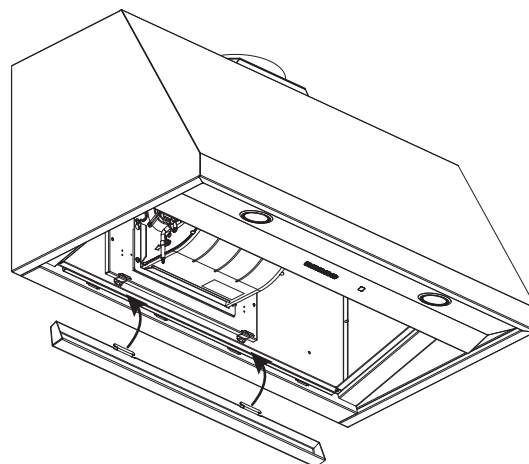
### Pour retirer un plateau d'égouttement :

Utilisez la languette du plateau à graisse pour le soulever soigneusement et le retirer. Le plateau sera retiré du rail de hotte désigné.

### Pour nettoyer :

Agitez le plateau d'égouttement dans de l'eau chaude savonneuse et rincez à l'eau propre, ou placez-le au lave-vaisselle. N'utilisez pas de nettoyant abrasif.

**REMARQUE :** Une décoloration des plateaux d'égouttement peut survenir si ces articles sont lavés au lave-vaisselle.



Remplacement d'un plateau d'égouttement

## Filtre à graisse à déфлекteur

Les filtres à déфлекteur dirigent la graisse émise par les aliments durant l'utilisation de la surface de cuisson vers les plateaux d'égouttement. Ces filtres empêchent également les flammes provenant des aliments cuits sur la surface de cuisson d'endommager l'intérieur de la hotte.

Les filtres à déфлекteur doivent TOUJOURS être en place lorsque la hotte est utilisée.

### Pour installer un filtre :

Insérez le haut du déфлекteur (côté sans bouton) dans le rail, derrière le panneau de commande. Poussez le côté du bouton à l'arrière, tournez pour verrouiller en place.

### Pour retirer un filtre :

Tirez et tournez le bouton, puis tirez lentement le filtre vers le bas. Tenez le filtre avec l'autre main et retirez-le du rail situé derrière le panneau de commande.

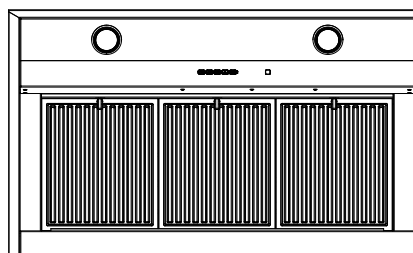
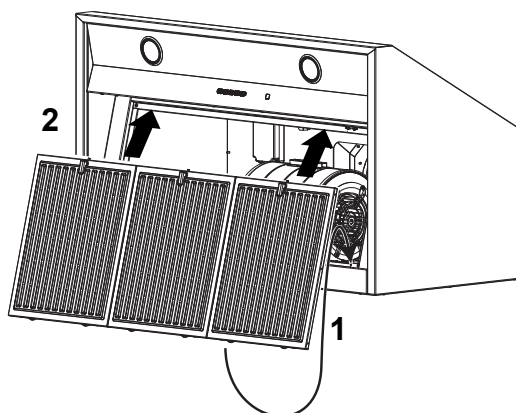
**Il est important que les filtres à déфлекteur soient placés correctement pour canaliser la graisse vers les plateaux d'égouttement et éviter l'accumulation de graisse dans les déфлекteurs.**

### Pour nettoyer :

Agitez le filtre dans de l'eau chaude savonneuse et rincez à l'eau propre, ou placez-le au lave-vaisselle. N'utilisez pas de nettoyant abrasif.

**REMARQUE :** Le lavage au lave-vaisselle peut entraîner une certaine décoloration des filtres.

Pour nettoyer les zones difficiles d'accès du filtre, utilisez une brosse douce.



Remplacement d'un déфлекteur

## Filtres (suite)

### Filtre à charbon (pour les installations de type recyclage de l'air sur certains modèles uniquement)

**REMARQUE** : NE RINCEZ PAS les filtres à charbon et NE LES NETTOYEZ PAS au lave-vaisselle.

Le filtre à charbon n'est PAS inclus avec la hotte. Commandez des filtres à charbon numéro UXCF91. Il ne peut pas être nettoyé et doit donc être remplacé. Il est conseillé de remplacer le filtre à charbon tous les 6 mois ou lorsqu'il est visiblement souillé ou qu'il a changé de couleur.

Pour réduire le risque d'incendie et de choc électrique en mode recyclage de l'air, n'utilisez uniquement que le filtre à charbon UXCF91.

Pour toute question concernant l'achat de filtres à charbon de rechange ou pour connaître l'emplacement du détaillant le plus près de chez vous, veuillez appeler notre numéro sans frais.

**Centre national des pièces : 1-800-626-2002**

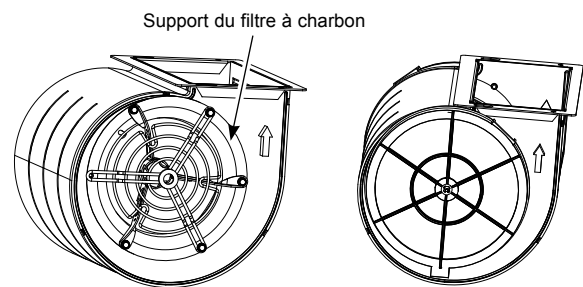
#### Pour installer un filtre à charbon :

1. Retirez les filtres à graisse. Reportez-vous à la section « Filtres ».
2. Installez les supports de filtre à charbon sur un côté du moteur à l'aide de trois vis par côté.
3. Insérez la languette du filtre à charbon dans la fente triangulaire du support.

4. Poussez le filtre à charbon jusqu'à ce qu'il soit verrouillé en place.
5. Répétez la procédure avec le deuxième filtre de l'autre côté du moteur.
6. Rattachez les filtres métalliques. Reportez-vous à la section « Filtres ».

#### Pour retirer un filtre à charbon :

1. Retirez les filtres à graisse. Reportez-vous à la section « Filtres ».
2. Dégagez le filtre à charbon en appuyant sur la languette.
3. Retirez soigneusement le filtre à charbon de la languette.



## Surfaces

### Surfaces peintes

**N'utilisez pas de tampon en laine d'acier ni tout autre produit de nettoyage abrasif; ils égratigneraient la surface.**

Nettoyez régulièrement les surfaces chargées de graisse de la hotte. Pour nettoyer la surface de la hotte, utilisez un chiffon chaud et humide et un détergent doux convenant aux surfaces peintes. Vous pouvez ajouter environ une cuillère à soupe d'ammoniaque dans l'eau. Utilisez un chiffon propre, chaud et humide pour retirer le savon. Séchez à l'aide d'un chiffon propre et sec.

**REMARQUE** : Lorsque vous nettoyez, prenez soin de ne pas entrer en contact avec les filtres et les autres surfaces.

**ATTENTION** Lorsque vous nettoyez les surfaces de la hotte, assurez-vous de ne pas toucher la lumière avec les mains ou un chiffon humides. Une lumière tiède ou chaude peut se briser si elle entre en contact avec quelque chose d'humide. Laissez toujours la lumière refroidir complètement avant de nettoyer autour.

## Lumières

Pour remplacer les lumières à DEL, planifiez un rendez-vous de service. Reportez-vous à la page du service à la clientèle de ce manuel pour obtenir une liste de sites Web et des coordonnées.

? Si vous avez des questions, rendez-vous à [cafeappliances.com](http://cafeappliances.com) ou visitez notre site Web à [cafeappliances.ca/fr](http://cafeappliances.ca/fr).

## AVANT DE COMMENCER

Lisez attentivement toutes ces instructions.

- **IMPORTANT** — Conservez ces instructions pour l'inspecteur local.
- **IMPORTANT** — Respectez tous les codes et règlements en vigueur.
- **Remarque destinée à l'installateur** – Assurez-vous de laisser ces instructions au consommateur.
- **Remarque destinée au consommateur** – Conservez ces instructions pour vous y reporter ultérieurement.
- **Niveau de compétence** – L'installation de cette hotte de cuisinière nécessite des compétences de base en mécanique et en électricité.
- **Durée de l'installation** – Entre 1 heure et 3 heures environ.
- L'installateur est responsable de la qualité de l'installation.
- Les défaillances de l'appareil dues à une mauvaise installation ne sont pas couvertes par la garantie.

**ATTENTION** Compte tenu du poids et de la dimension de ces hottes, et afin de réduire les risques de blessure et pour ne pas endommager le produit, **L'INSTALLATION DE LA HOTTE DOIT ÊTRE EFFECTUÉE PAR DEUX PERSONNES.**

## POUR VOTRE SÉCURITÉ

**AVERTISSEMENT** Avant de commencer l'installation, coupez le courant au tableau de distribution et bloquez le disjoncteur pour éviter que le courant ne soit accidentellement rétabli. Quand il n'est pas possible de bloquer le disjoncteur, placez un dispositif d'avertissement bien visible, comme une étiquette, sur le tableau de distribution.

**AVERTISSEMENT** **POUR DIMINUER LES RISQUES D'INCENDIE, DE CHOC ÉLECTRIQUE OU DE BLESSURES, SUIVEZ LES CONSIGNES SUIVANTES :**

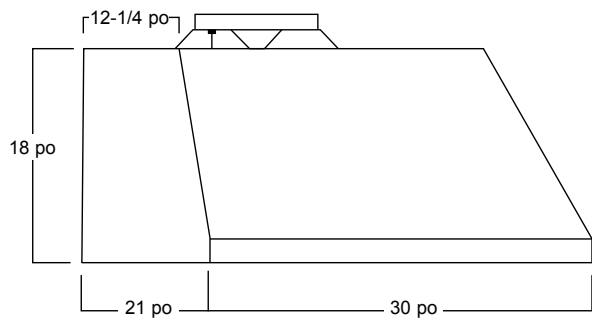
- A. L'installation et le câblage électrique doivent être effectués par une personne qualifiée conformément à tous les codes et à toutes les normes en vigueur, en particulier ceux et celles concernant la résistance au feu de la construction.
- B. Une quantité d'air suffisante est nécessaire à une combustion et à une évacuation appropriées des gaz par le conduit d'évacuation (cheminée) de l'équipement à combustible pour éviter tout refoulement. Suivez les instructions et normes de sécurité du fabricant de l'appareil chauffant, comme celles publiées par la National Fire Protection Association (NFPA), l'American Society for Heating, Refrigeration and Air Conditioning Engineers (ASHRAE) et les autorités locales.
- C. Lorsque vous effectuez des découpes ou que vous percez dans un mur ou un plafond, n'endommagez pas le câblage électrique ou les installations des services publics.
- D. L'air des ventilateurs pourvus de conduits de ventilation doit toujours être évacué vers l'extérieur.
- E. Désactivez le disjoncteur dans les pièces adjacentes lorsque vous effectuez ces travaux.

**AVERTISSEMENT** **POUR RÉDUIRE LES RISQUES D'INCENDIE, N'UTILISEZ QUE DES CONDUITS EN MÉTAL.**

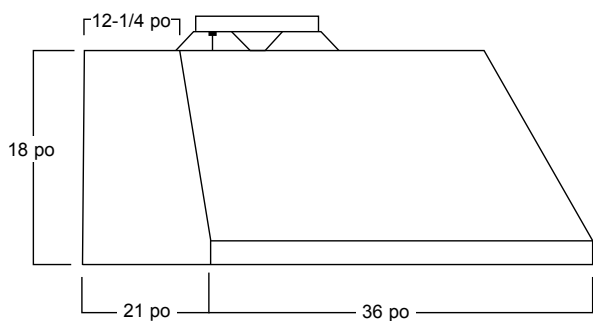
**AVERTISSEMENT** Coupez l'alimentation électrique au disjoncteur principal ou à la boîte de fusibles avant de commencer l'installation.

# Préparatifs avant l'installation

## DIMENSIONS DE L'APPAREIL



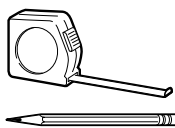
Modèles de 30 po  
Nécessitent une ouverture de 30 po.



Modèles de 36 po  
Nécessitent une ouverture de 36 po.

# Préparatifs avant l'installation

## OUTILS ET MATÉRIAUX NÉCESSAIRES (NON FOURNIS)



Crayon et ruban à mesurer



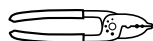
Lunettes de sécurité



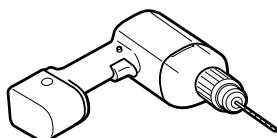
Niveau



Tournevis Phillips avec une tige d'au moins 6 po



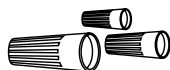
Coupe-fil/pince à dénuder



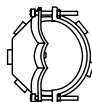
Perceuse électrique avec un embout Phillips n° 2 et mèches de 1/8 po et 5/16 po



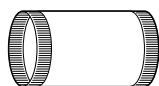
Ruban adhésif en toile revêtu d'aluminium



Capuchons de connexion homologués UL



Réducteur de tension pour boîte de jonction, 1 plaque sectionnable de 1 po de diamètre

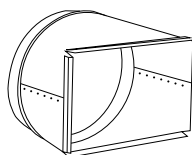


Conduit rond de 8 po

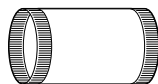


Gants

Nécessaire uniquement pour l'évacuation par l'arrière



Transition de conduit de 8 po x 12 po à rond de 12 po



Conduit rond de 12 po

## PLANIFIER L'INSTALLATION

### ⚠ ATTENTION

Pour réduire les risques d'incendie et assurer l'évacuation adéquate de l'air, assurez-vous d'acheminer les conduits vers l'extérieur. N'évacuez pas l'air dans des espaces intra-muraux, dans le plafond, dans le grenier, dans un vide sanitaire ou dans le garage.

### PIÈCES FOURNIES POUR L'INSTALLATION

- 1 trousse de quincaillerie
- Documentation
- 1 gabarit d'installation

### PIÈCES REQUISES POUR L'INSTALLATION

- 1 réducteur de tension
- 1 clapet mural ou chapeau de toit (pour installation à évacuation de l'air uniquement)
- Tous les conduits métalliques

### ⚠ AVERTISSEMENT

### RISQUE DE BLESSURES

En raison du poids et de la taille du toit d'évacuation de la hotte, il est recommandé que son installation soit effectuée par 2 personnes. Ne pas soulever correctement la hotte pourrait l'endommager ou causer des blessures.

**REMARQUE :** Avant d'effectuer des coupes ou des trous pour l'installation, déterminez la méthode de ventilation qui sera utilisée et calculez soigneusement toutes les mesures.

## RETIRER L'EMBALLAGE

### ⚠ ATTENTION

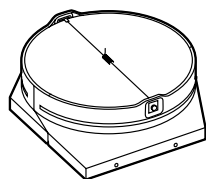
Portez des gants pour protéger vos doigts des rebords coupants.

- Retirez la hotte de l'emballage.
- Retirez le sac de quincaillerie, la trousse de documentation et les autres boîtes de pièces.
- Enlevez et jetez l'emballage en plastique et les autres matériaux d'emballage de façon adéquate.

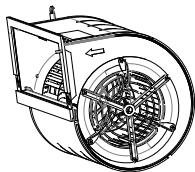
## Préparatifs avant l'installation

### PIÈCES FOURNIES

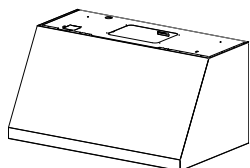
Localisez les pièces emballées avec la hotte.



Registre supérieur



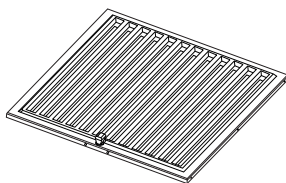
Moteur



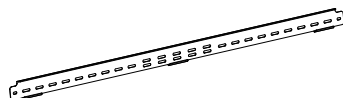
Caisson de la hotte



Plateaux d'égouttement



2 filtres à défecteur  
(3 avec les modèles de 36 po)



Support d'installation en métal

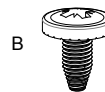
### TROUSSE DE QUINCAILLERIE

Localisez et vérifiez le contenu de l'emballage.



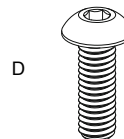
A

(QTÉ : 4) Vis AB de 8 x 1-3/4. Utilisées pour fixer la barre de montage. Utilisez une mèche de 1/8 po pour percer l'avant-trou.



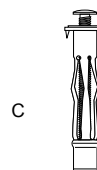
B

(QTÉ : 4) Vis PZ de 2,9 mm x 6 mm. Utilisées pour fixer le registre.



D

(QTÉ : 4) Vis M4. Utilisées pour monter le moteur.



C

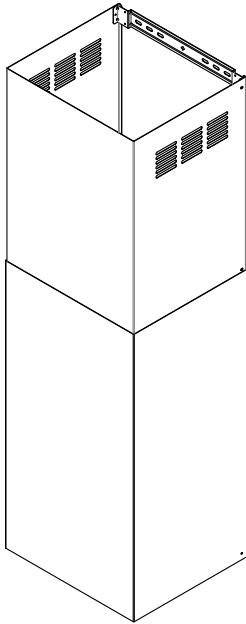
(QTÉ : 2) Ancrages pour cloisons sèches de 3/16 po avec vis. Utilisés pour les trous de vis de montage inférieurs de la hotte. Utilisez une mèche de 5/16 po pour percer l'avant-trou.



# Préparatifs avant l'installation

## EXIGENCES RELATIVES AU CACHE-CONDUIT

Les ensembles de cache-conduits doivent être achetés séparément. Nous recommandons que la hotte et le cache-conduit (le cas échéant) soient sur place lors des travaux d'ajustement de la charpente et de finition du mur. Cela vous aidera à localiser avec précision l'emplacement des montants, du conduit et du système électrique.



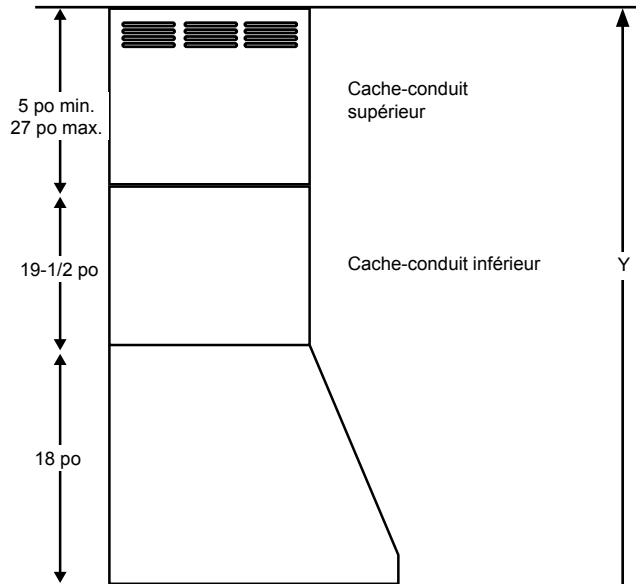
- L'ensemble de cache-conduit est livré avec un cache-conduit inférieur, un cache-conduit supérieur et le matériel d'installation.
- Le matériel d'installation comprend des supports de montage pour fixer les cache-conduits au mur.
- Pour les installations à évacuation de l'air, les trous de recirculation peuvent être masqués en installant la partie supérieure du cache-conduit à l'envers.
- Reportez-vous au tableau ci-dessous pour connaître les numéros de pièce des ensembles de cache-conduits en fonction de la finition souhaitée.

N° de modèle	N° de l'ensemble de cache-conduit	Installation au plafond max.
Modèles de 30 po et 36 po (noir mat)	CX8DC9SPDS	8 pi 4 po
	CX10DC9SPDS	11 pi 1/4 po
	CX12DC9SPDS	13 pi 4 po
Modèles de 30 po et 36 po (blanc mat)	CX8DC9SPWM	8 pi 4 po
	CX10DC9SPWM	11 pi 1/4 po
	CX12DC9SPWM	13 pi 4 po

**REMARQUE :** Les ensembles de cache-conduits CX8DC9SPDS et CX8DC9SPWM prennent uniquement en charge le mode d'installation à évacuation de l'air.

## DIMENSIONS D'INSTALLATION

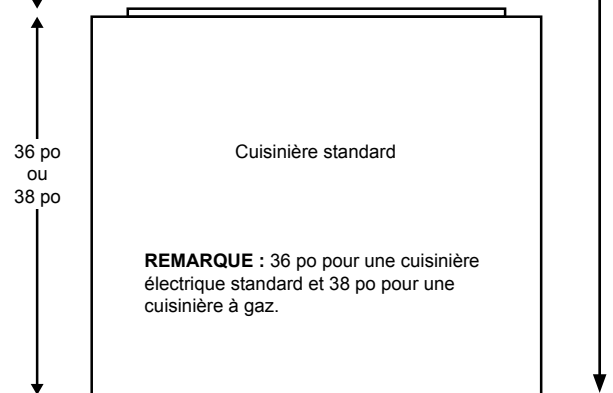
Les cache-conduits de hotte peuvent être ajustés pour différentes hauteurs de plafond en fonction de la distance entre le bas de la hotte et la surface de cuisson (distance X). Reportez-vous au Tableau des hauteurs d'installation de la page suivante.



Exemples de hauteur de plafond minimale requise et de hauteur maximale recommandée pour l'ensemble de cache-conduit de 10 pi (avec évacuation)

Électrique	Gaz	
X = 24 po	X = 30 po	X = 36 po
Y = 8 pi 2 po min./ 9 pi 10 po max.	Y = 8 pi 10 po min./ 10 pi 6 po max.	Y = 9 pi 4 po min./ 11 pi 0 po max.

X = distance de la hotte à la surface de cuisson. (Varie selon l'installation) 24 po min. requis au-dessus d'une cuisinière électrique ou 30 po min. au-dessus d'une cuisinière à gaz. Le maximum recommandé est de 36 po.





# Préparatifs avant l'installation

## PLANIFICATION PRÉLIMINAIRE

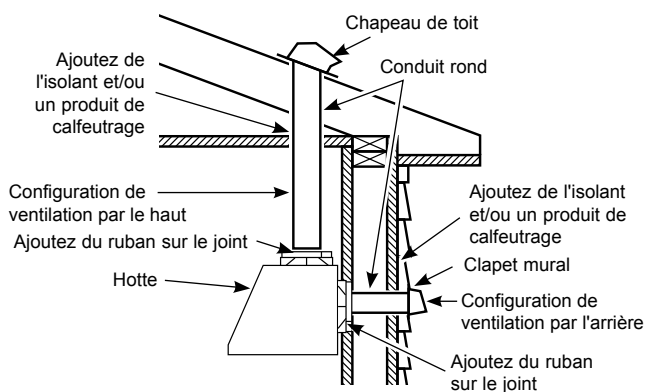
### Planification de l'installation du conduit

- Cette hotte est conçue pour être ventilée verticalement à travers le plafond avec un conduit rond de 8 po ou, horizontalement à travers un mur avec un conduit de transition de 8 po x 12 po et un conduit rond de 12 po.
- Utilisez uniquement des conduits métalliques.
- Planifiez le chemin que prendra l'air avant d'être évacué vers l'extérieur. Pour maximiser le rendement du système de ventilation :
  1. Minimisez la longueur du conduit et le nombre de transitions et de coudes.
  2. Conservez le même diamètre de conduit.
  3. Scellez tous les joints avec du ruban adhésif en toile pour éviter les fuites d'air.

**REMARQUE :** L'utilisation d'un conduit flexible est déconseillée. Un conduit flexible créerait une contre-pression et une turbulence de l'air qui réduiraient considérablement les performances d'évacuation.

- Longueur maximale équivalente du conduit pour 100 pi<sup>3</sup>/min (2,83 m<sup>3</sup>/min) : 150 pi pour une hotte.
- Installez un clapet mural ou un chapeau de toit muni d'un registre dans l'ouverture extérieure. Achetez à l'avance le clapet mural ou le chapeau de toit, les raccords et la longueur de conduit dont vous avez besoin.
- Le cas échéant, installez un système d'air d'appoint (de recharge) conformément aux exigences du code du bâtiment local. L'ensemble d'air d'appoint pour conduits ronds de 8 po JXMUA8 peut être acheté sur le site à [cafeappliances.com](http://cafeappliances.com).

Le système de ventilation peut se terminer au toit ou au mur.



## ALIMENTATION ÉLECTRIQUE

**IMPORTANT – (veuillez lire attentivement)**

### ⚠ AVERTISSEMENT

POUR VOTRE SÉCURITÉ, CET APPAREIL DOIT ÊTRE CORRECTEMENT MIS À LA TERRE.

Enlevez le fusible ou déclenchez le disjoncteur au panneau de distribution électrique avant d'entreprendre l'installation.

N'utilisez pas de cordon prolongateur ni de fiche d'adaptation avec cet appareil. Respectez le Code national de l'électricité ou la réglementation et les exigences locales en vigueur.

### Alimentation électrique

Ces hottes sont conçues pour une alimentation électrique de 120 V et 60 Hz, et doivent être branchées à un circuit de dérivation correctement mis à la terre et protégé par un disjoncteur de 15 ou 20 ampères ou par un fusible temporisé.

- Le câblage doit comprendre deux fils plus un fil de mise à la terre.
- Si votre système d'alimentation électrique ne répond pas aux exigences ci-dessus, demandez conseil auprès d'un électricien qualifié avant de commencer l'installation.
- Acheminez le câblage électrique le plus près possible de l'emplacement d'installation de la hotte dans le plafond ou dans le mur.
- Effectuez les branchements de votre câblage résidentiel conformément aux codes locaux en vigueur.

### Instructions de mise à la terre

Le conducteur de terre doit être raccordé à une partie métallique, un câblage permanent, ou une borne ou un câble de mise à la terre de la hotte.

### ⚠ AVERTISSEMENT

Un raccordement inadéquat du conducteur de terre de l'équipement peut accroître les risques de choc électrique. En cas de doute quant à la mise à la terre de l'appareil, consultez un électricien qualifié ou un représentant du service après-vente.

## Préparatifs avant l'installation

### NOUVELLE CONSTRUCTION, PRÉ-PLANIFICATION OU RÉNOVATION

REMARQUE : Pour les instructions existantes, passez à la section suivante.

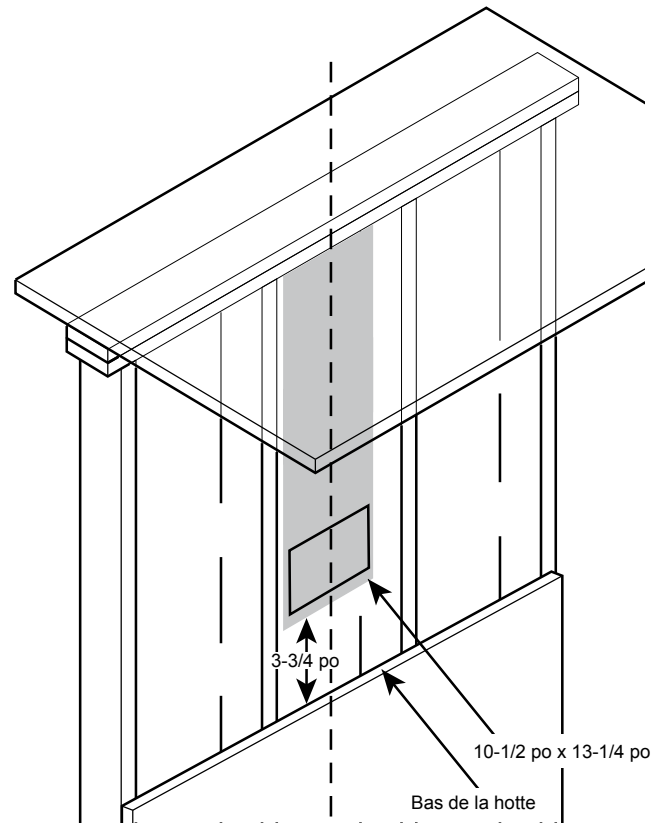
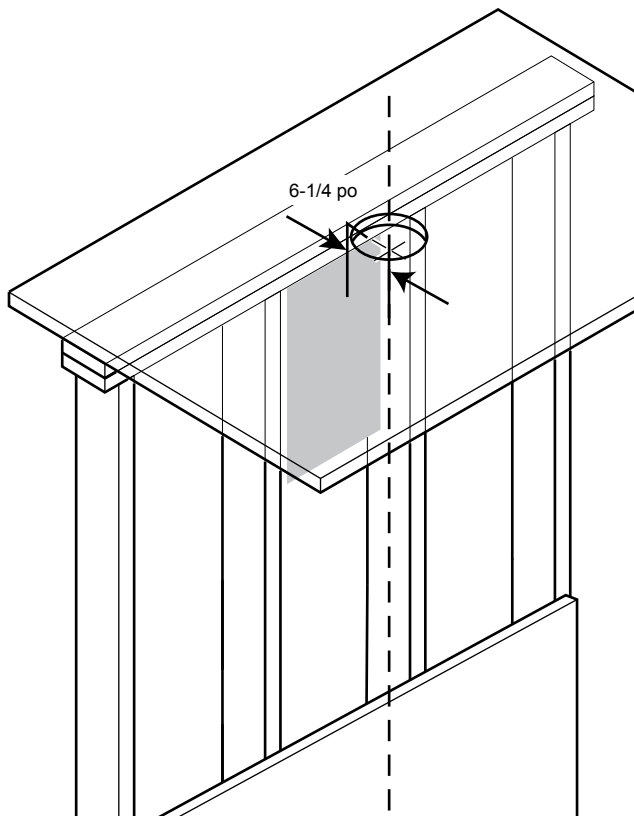
#### POUR UNE ÉVACUATION DE L'AIR PAR LE HAUT

- Pour une installation à évacuation par le haut, le trou de 8 po de diamètre pour le conduit dans le plafond doit être centré à 6-1/4 po du mur arrière fini dans l'espace d'installation.

- La découpe de la boîte de jonction de la hotte est située à 10-1/2 po à gauche du centre de la hotte. Assurez-vous que la longueur du fil est suffisante pour établir une connexion adéquate.

#### POUR UNE ÉVACUATION DE L'AIR PAR L'ARRIÈRE

- Pour une installation à évacuation par l'arrière, la découpe de 10-1/2 po x 13-1/4 po pour le conduit mural doit être centrée dans l'espace d'installation, de gauche à droite, et située à 3-3/4 po au-dessus de la hauteur d'installation prévue à partir du bas de la hotte.



## DÉTERMINER LES EMPLACEMENTS D'INSTALLATION DE LA HOTTE, DES CONDUITS ET DU CÂBLAGE

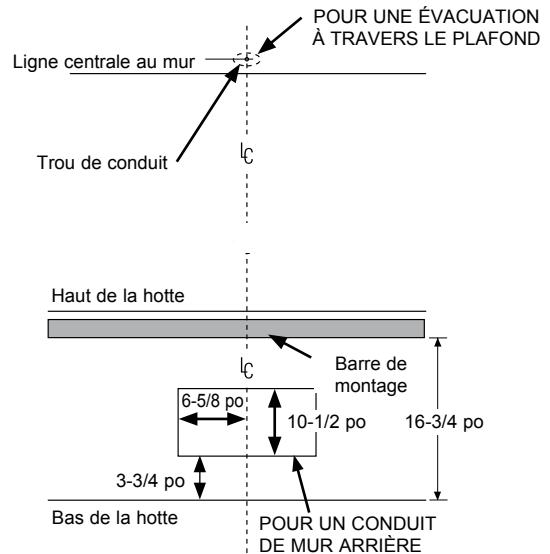
- Cette hotte peut être installée sur un mur ou sous une retombée de plafond ou une armoire.
- Pour installer la hotte sous une retombée de plafond ou une armoire, reportez-vous à la page 19 pour une autre méthode de montage.
- Un gabarit de montage mural est inclus avec le produit pour faciliter l'installation. Suivez les instructions ci-dessous si vous n'utilisez pas le gabarit.
- Mesurez la distance désirée entre le bas de la hotte et la surface de cuisson, 24 po au minimum pour une cuisinière électrique ou 30 po au minimum pour une cuisinière à gaz (36 po au maximum recommandé dans tous les cas).
- Utilisez un niveau pour tracer une ligne horizontale indiquant le bas de la hotte.
- Mesurez 16-3/4 po à partir de la ligne horizontale indiquant le bas de la hotte. Tracez une autre ligne horizontale pour indiquer le bas de la barre de montage.
- Utilisez un niveau pour tracer la ligne centrale de la surface de cuisson ou de la cuisinière.

### Pour le conduit de plafond :

- Si le conduit passe à travers le plafond, prolongez la ligne centrale jusqu'au plafond.
  - Mesurez 6-1/4 po du mur arrière pour marquer le point central du trou de conduit de 8 po de diamètre au plafond.
  - Découpez un trou de conduit de 8 po de diamètre au plafond.

### Évacuation à travers une retombée de plafond ou une armoire :

- Suivez la même procédure pour couper le trou du conduit d'évacuation qui passera à travers le haut de la retombée de plafond ou d'une armoire.



### Pour une évacuation par le mur arrière :

**Remarque :** Assurez-vous que le registre arrière n'interférera pas avec les montants, le système électrique ou la plomberie avant de procéder à la découpe.

- Le registre arrière UXBDA812 doit être acheté séparément pour une évacuation à travers le mur arrière.
- Mesurez 3-3/4 po le long de la ligne centrale à partir de la ligne horizontale indiquant le bas de la hotte.
- Faites une découpe de 10-1/2 po x 13-1/4 po centrée de gauche à droite le long de la ligne centrale.

### Emplacements du câblage de la maison :

- La boîte de jonction est située sur le côté gauche intérieur du caisson de la hotte. Reportez-vous aux illustrations pour connaître l'emplacement de la plaque sectionnable.

Le câblage de la maison peut entrer dans la boîte de jonction par l'arrière ou par le côté gauche supérieur de la hotte.

### Pour acheminer le câblage à travers le plafond, une retombée de plafond ou une armoire :

- Découpez un trou d'environ 1-1/4 po de diamètre au plafond à la distance (X) à gauche de la ligne centrale en vous basant sur les mesures du tableau ci-dessous.

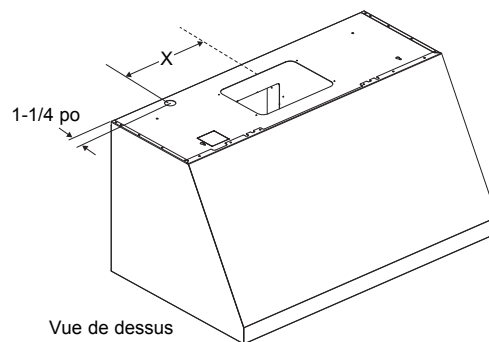
### Pour acheminer le câblage par le mur :

**Remarque :** Pour une évacuation par l'arrière, le câblage de la maison doit être acheminé à travers la découpe arrière de façon à ce qu'il ne soit pas visible.

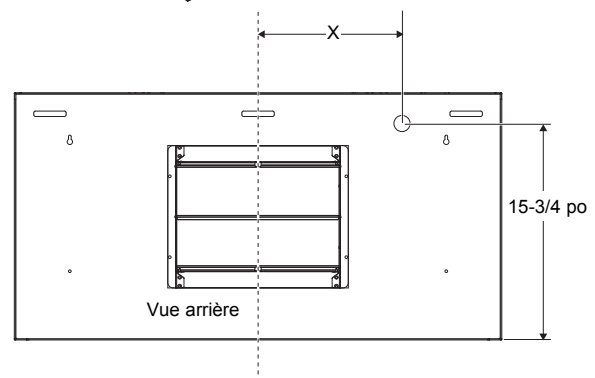
- Mesurez 15-3/4 po à partir du bas de la hotte et marquez l'emplacement.
- Découpez un trou d'environ 1-1/4 po de diamètre à l'endroit de la marque à une distance (X) à gauche de la ligne centrale en vous basant sur les mesures du tableau ci-dessous.

- Retirez la plaque sectionnable supérieure ou arrière selon votre installation.

Modèles	« X »
30 po	9-3/4 po
36 po	10-1/2 po



Vue de dessus



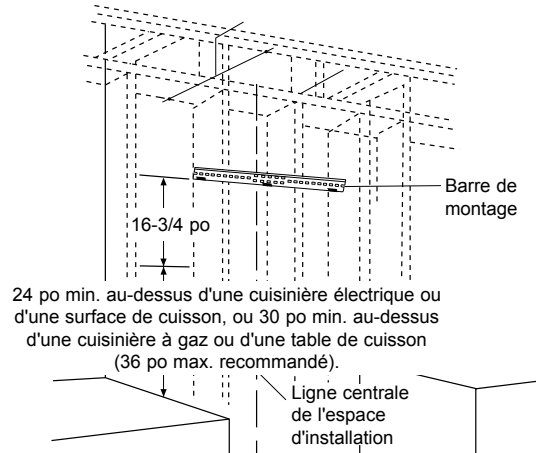
Vue arrière

## Instructions d'installation

## 1 INSTALLER LE SUPPORT DE LA HOTTE

**IMPORTANT :** La charpente doit pouvoir supporter une charge de 100 lb (45,4 kg).

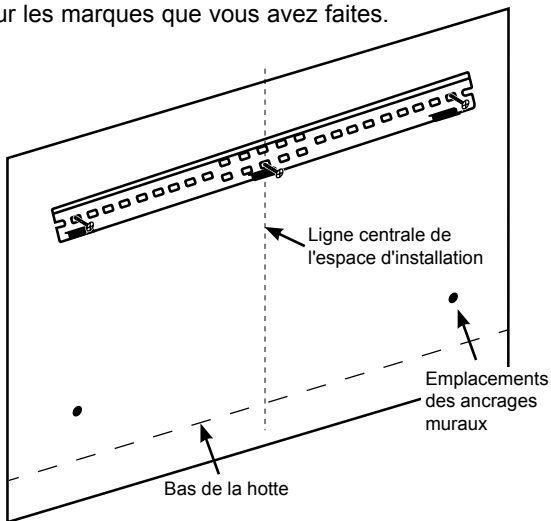
- Localisez au moins 2 montants verticaux pour la barre de montage en frappant légèrement la cloison sèche avec un marteau ou en utilisant un détecteur de montants.
- Mettez la barre de montage de niveau et centrée de gauche à droite au-dessus de la ligne que vous avez tracée. Tenez la barre contre le mur.



- Percez des avant-trous de 1/8 po aux 2 emplacements des montants verticaux à travers les trous de la barre de montage. Fixez la barre de montage avec les vis fournies (A) comme indiqué ci-dessus.

### Emplacements des trous de montage inférieurs :

- Tenez la hotte sur la barre de montage pour marquer l'emplacement des ancrages. Marquez les emplacements des trous à l'arrière de la hotte. **REMARQUE :** Pour les installations sur une retombée de plafond ou sous une armoire, poussez la hotte au ras de la retombée ou de l'armoire avant de marquer les emplacements des trous de vis.
- Retirez la hotte et percez des trous de 5/16 po centrés sur les marques que vous avez faites.



## 1 INSTALLER LE SUPPORT DE LA HOTTE (suite)

- Installez les ancrages muraux (C) en les frappant légèrement avec un marteau pour faire entrer les dents des brides dans le mur. Cela empêchera les ancrages de tourner.
- Enfoncez les vis d'ancrage jusqu'à ce que les ancrages se resserrent contre l'intérieur du mur.
- Retirez les vis des ancrages muraux avant d'installer la hotte.

## 2 INSTALLER LE REGISTRE

**IMPORTANT :** Retirez le ruban d'emballage du registre et assurez-vous que ce dernier s'ouvre et se ferme librement.

### Installer le registre supérieur :

- La plaque de montage du moteur est préinstallée dans la hotte pour une évacuation par le haut.
- Installez le registre supérieur sur le corps de la hotte comme illustré à la figure A à l'aide des vis (B) depuis le haut de la hotte.

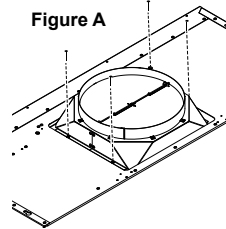
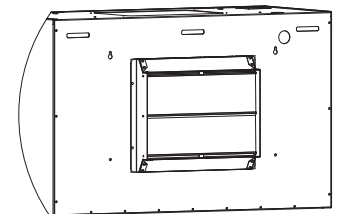


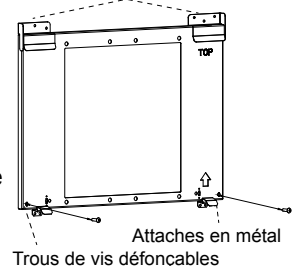
Figure B



### Installer le registre arrière :

- Le registre arrière UXBDA812 doit être acheté séparément pour une évacuation à travers le mur arrière.
- Retirez le panneau défonçable carré sur le corps de la hotte pour l'évacuation par l'arrière.
- Installez le registre arrière sur le corps de la hotte comme illustré à la figure B à l'aide des vis fournies avec l'accessoire.
- Retirez la plaque de montage du moteur de la position d'évacuation supérieure. Conservez les vis.
- Installez la plaque métallique (Le modèle à un seul moteur aura un aspect différent) pour couvrir l'ouverture du registre supérieur.

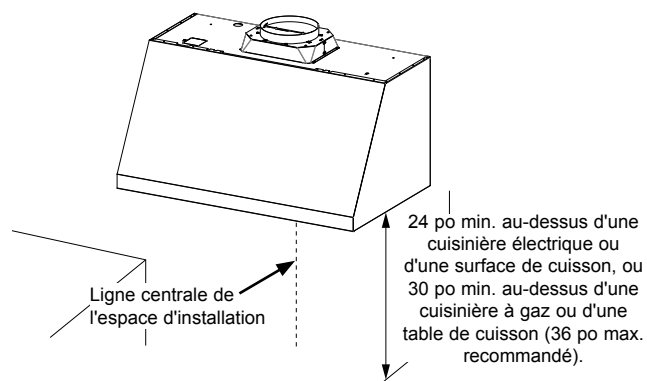
Figure C (Le modèle à un seul moteur aura un aspect différent)  
Supports en métal



- Retirez les deux trous à défoncer sur la plaque de montage du moteur, comme illustré à la figure C.
- Installez la plaque de montage du moteur de sorte que la flèche pointe vers le haut et sur le côté droit.
- Glissez la plaque dans les supports métalliques et poussez jusqu'à ce que les attaches métalliques du bas s'enclenchent.
- Fixez la plaque à travers les deux trous de vis défonçables comme illustré à la figure C. Utilisez les deux vis que vous avez conservées.

## 3 INSTALLER LA HOTTE SUR LE MUR

- Tirez le câblage de la maison à travers la plaque défonçable à l'arrière ou au haut de la hotte.
- Soulevez la hotte et placez-la sur les crochets de la barre de montage. Laissez la hotte se placer en position dans les fentes.
- Assurez-vous que la hotte est de niveau et qu'elle est centrée.
- Serrez les vis d'ancrage mural (C) pour terminer l'installation du corps de la hotte sur le mur.
- Retirez le couvercle de la boîte de jonction à l'intérieur de la hotte.



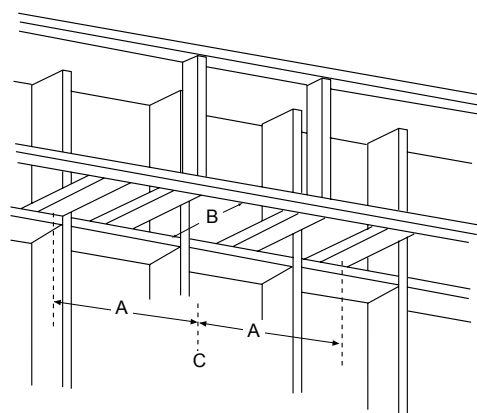
## 4 (Autre méthode de montage) INSTALLER LA HOTTE SOUS UNE RETOMBÉE DE PLAFOND OU UNE ARMOIRE

**PASSEZ CETTE ÉTAPE SI VOUS FIXEZ LA HOTTE À UN MUR**

**IMPORTANT :** La charpente de la retombée de plafond ou de l'armoire doit pouvoir supporter une charge de 100 lb (45,4 kg).

Si nécessaire, la hotte peut être installée de manière à être supportée par la retombée de plafond ou l'armoire.

- La retombée de plafond doit être construite en pièces de bois de 2 po x 4 po.
- Utilisez un niveau pour tracer la ligne centrale de la surface de cuisson ou de la cuisinière.
- Continuez la ligne médiane vers l'avant au bas de la retombée de plafond.
- Installez des supports de bois horizontaux entre les pièces de 2 po x 4 po, à la distance A à gauche et à droite, selon le tableau ci-dessous.

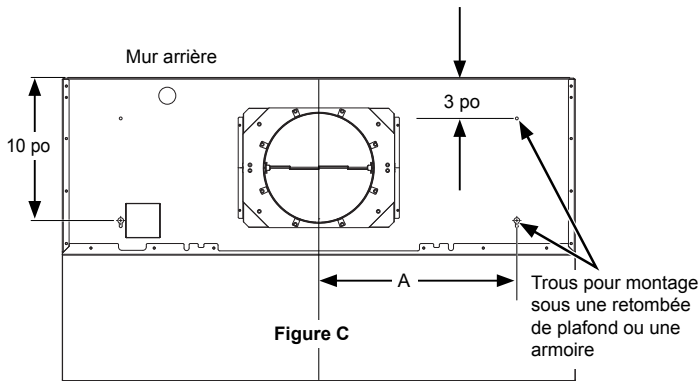


	« A » Ligne médiane au centre du montant	« B » Ouverture pour le conduit de l'évacuation par le haut	« C » Ouverture pour le conduit de l'évacuation par l'arrière
Modèles de 30 po	8-3/4 po	8-3/8 po x 11-1/4 po	10-1/2 po x 13-1/4 po
Modèles de 36 po	13-3/4 po		

## Instructions d'installation

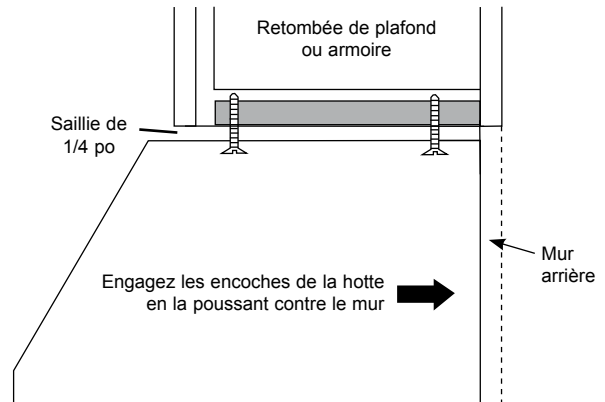
#### 4 (Autre méthode de montage) INSTALLER LA HOTTE SOUS UNE RETOMBÉE DE PLAFOND OU UNE ARMOIRE (suite)

- Percez deux avant-trous de 1/8 po à une distance de 10 po du mur arrière dans les supports de bois horizontaux. Il s'agit de la distance verticale entre les encoches de montage en trous de serrure et le mur arrière, comme illustré à la figure C.
- Percez deux autres avant-trous de 1/8 po à une distance de 3 po du mur arrière dans les supports de bois horizontaux. Il s'agit de la distance verticale entre les trous de vis de montage et le mur arrière, comme illustré à la figure C.
- Pour une évacuation par le haut, laissez une ouverture minimale (dim. B) pour loger le registre dans la retombée de plafond ou l'armoire.
- Pour une évacuation par l'arrière, laissez une ouverture minimale (dim. C) pour loger le registre dans le mur arrière.



- Vissez les vis de montage (A) dans les montants jusqu'à ce qu'elles dépassent de 1/4 po. Cette saillie de 1/4 po permet d'engager les vis dans les encoches en trou de serrure de la partie supérieure de la hotte.

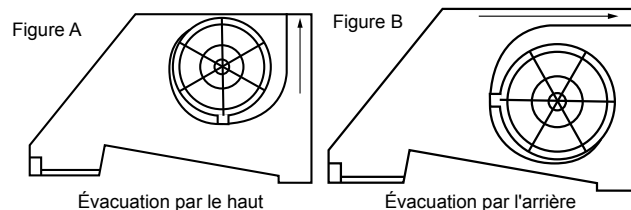
- La hotte doit également être fixée au mur arrière. Suivez les instructions de la page 18 à la section « **Emplacements des trous de montage inférieurs** » pour une installation sur le mur arrière.
- Suivez les instructions de la page 17 à la section « **Emplacements du câblage de la maison** » pour la configuration du câblage.
- Soulevez la hotte sur les vis de montage. Poussez la hotte contre le mur.
- Tirez le câblage de la maison à travers l'alvéole défonçable à l'arrière ou au haut de la hotte.
- Serrez les vis de montage (A).
- Une fois la hotte fixée à la retombée de plafond ou à l'armoire, vissez les vis (C) pour fixer la hotte au mur arrière.





## 5 INSTALLER LE MOTEUR

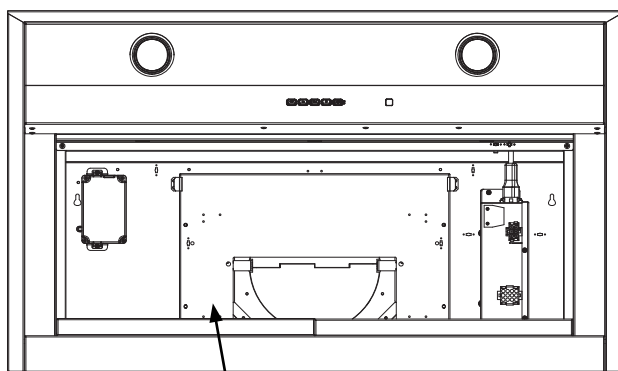
I) Alignez l'évacuation du moteur avec le registre supérieur comme indiqué sur la figure A pour une évacuation par le haut. Pour une évacuation par l'arrière, faites pivoter le moteur de 90° pour l'aligner avec le registre arrière comme illustré à la figure B.



Évacuation par le haut

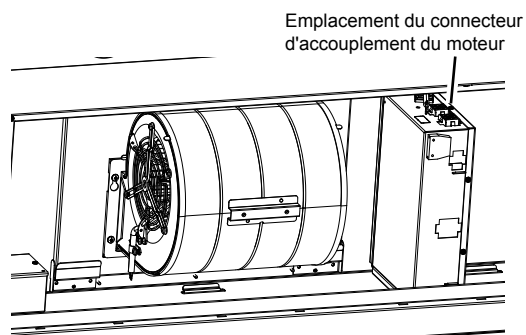
Évacuation par l'arrière

II) Fixez le moteur à la plaque de montage du moteur à l'aide des vis (D).



Plaque de montage du moteur

III) Branchez le connecteur du moteur dans le connecteur correspondant sur le dessus du boîtier de commande.



Emplacement du connecteur d'accouplement du moteur

Installation pour évacuation par le haut

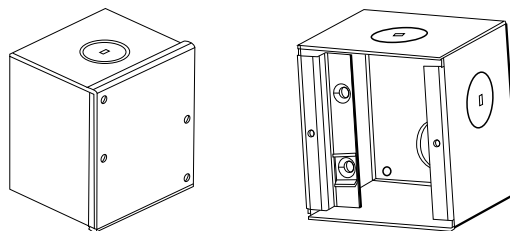
## 6 BRANCHER L'APPAREIL À L'ALIMENTATION ÉLECTRIQUE

Assurez-vous que le circuit est hors tension.

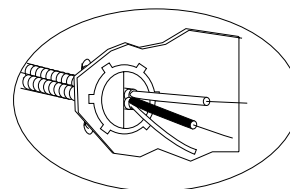
### ⚠ AVERTISSEMENT

Si le circuit de la maison n'est pas un circuit à 2 fils muni d'un fil de mise à la terre, l'installateur doit poser un fil de mise à la terre. Lorsque le câblage de la maison est en aluminium, assurez-vous d'utiliser un composé antioxydant homologué UL et des connecteurs aluminium-cuivre.

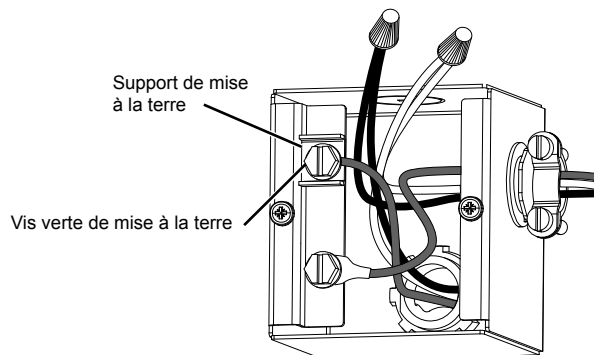
- Retirez le couvercle de la boîte de jonction.



- Tirez le câblage de la maison à travers l'alvéole défonçable en haut ou à l'arrière de la hotte et fixez-le avec le réducteur de tension.



- Utilisez des capuchon de connexion homologués UL pour connecter les fils entrants blanc à blanc et noir à noir.
- Desserrez la vis de mise à la terre verte (avec support de mise à la terre) dans la boîte de jonction. Enroulez le fil de cuivre massif de la maison dans le sens horaire autour de la vis de mise à la terre verte et au-dessus du support. Serrez fermement la vis sur la boucle du fil de cuivre.



- Remettez le couvercle de la boîte de jonction et assurez-vous que les fils ne sont pas pincés.

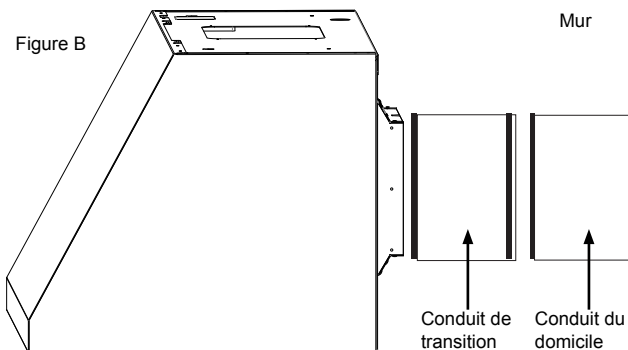
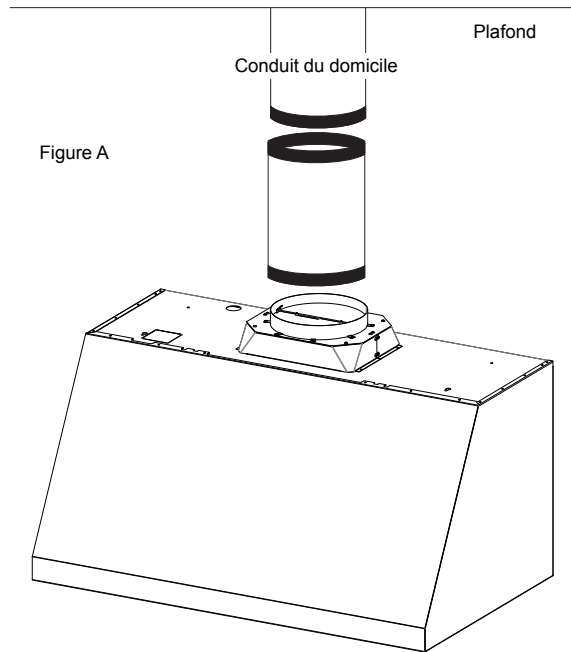
**REMARQUE :** Pour une installation filaire :

À utiliser uniquement avec des ensembles de raccordement de cordon pour hotte de cuisinière qui ont été examinés et jugés acceptables pour ce modèle de hotte pour cuisinière.

## Instructions d'installation

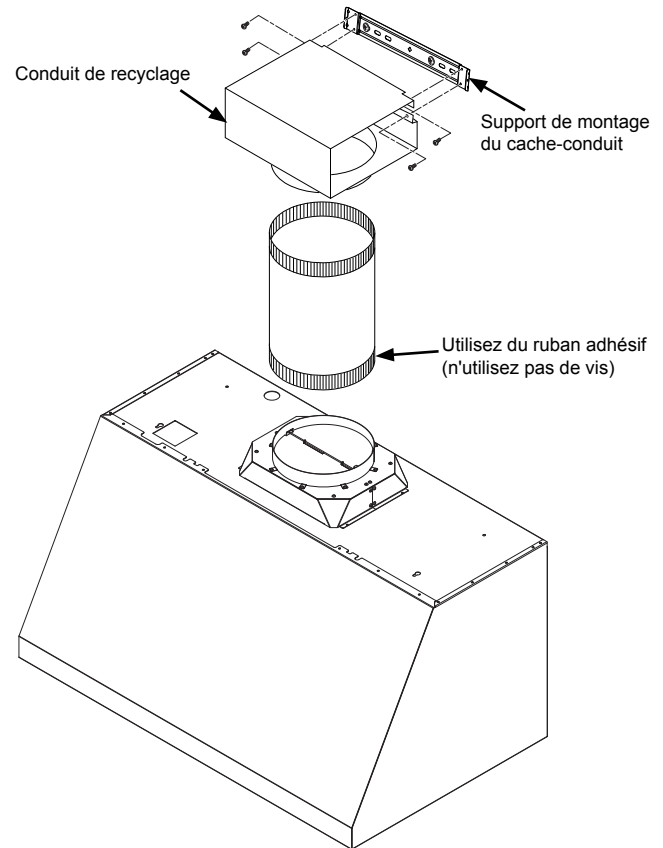
**7 RACCORDER LE CONDUIT****A. Installation pour évacuation**

- Raccordez le conduit du domicile au registre supérieur comme illustré à la figure A.
- Pour une évacuation par l'arrière, connectez le conduit de transition au registre arrière et le conduit du domicile au conduit de transition, comme illustré à la figure B.
- Scellez toutes les raccords avec du ruban adhésif.

**B. Installation pour recyclage de l'air (sans évacuation)**

**REMARQUE :** Un conduit de recyclage (WB34X30519) et un filtre au charbon (UXCF91) ne sont pas inclus avec la hotte et sont nécessaires pour l'installation en mode recyclage de l'air.

1. Fixez le conduit de recyclage au support de montage du couvercle du conduit avec les vis fournies.
2. Raccordez le conduit de la sortie d'évacuation de la hotte au conduit de recyclage. Utilisez du ruban adhésif en toile pour sceller les raccords.



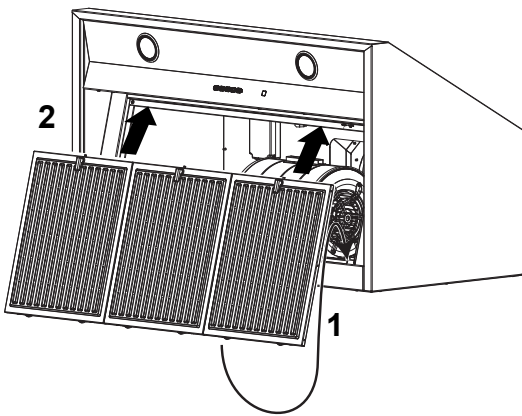
**⚠ ATTENTION** N'utilisez pas de vis à tête au joint entre le conduit de transition et le conduit du domicile. Les vis à cet endroit empêcheraient le registre de fonctionner adéquatement. Scellez le joint avec du ruban adhésif seulement.

## 8 INSTALLER LES CACHE-CONDUITS

- Reportez-vous à la section « Exigences relatives au cache-conduit » pour connaître les numéros de pièce du cache-conduit.
- Suivez les instructions d'installation fournies avec le cache-conduit.

## 9 INSTALLER LES PLATEAUX À GRAISSE ET LES FILTRES

- Retirez le film protecteur.
- Placez les plateaux d'égouttement de graisse dans les fentes.
- Installez les filtres à défecteur.
- Reportez-vous à la page 7 pour les instructions d'installation ou de retrait des filtres et des plateaux à graisse.



# Instructions d'installation

## TECHNOLOGIE D'AIR D'APPOINT

Cette opération doit être effectuée par un technicien ou un installateur qualifié.

**Remarque destinée aux installateurs et aux inspecteurs :** Ce produit est équipé d'une fonction d'installation simple qui limite les niveaux maximums de débit afin de se conformer à certains codes ou règlements locaux. Cette méthode d'installation peut ne pas être nécessaire pour toutes les installations. Veuillez consulter les codes locaux pour obtenir des instructions supplémentaires.

Cette fonction d'air d'appoint s'applique aux modèles à un seul moteur uniquement.

**⚠ ATTENTION** La hotte doit être débranchée de l'alimentation principale avant de suivre les instructions de conversion ci-dessous. Ne pas le faire pourrait entraîner des blessures ou endommager le produit.

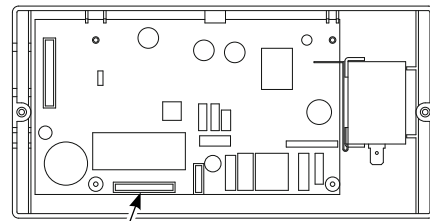
**Pour modifier l'appareil (si nécessaire pour les codes locaux) :**

### 390 pi<sup>3</sup>/min (11,04 m<sup>3</sup>/min)

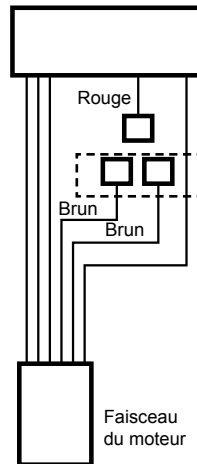
De par sa conception, la vitesse maximale du ventilateur est supérieure à 400 pi<sup>3</sup>/min (11,33 m<sup>3</sup>/min). Pour les codes locaux exigeant une réduction du débit par minute, modifiez le câblage comme décrit ci-dessous :

1. Retirez les filtres à défecteur.
2. Déconnectez tous les faisceaux du haut du boîtier de commande situés sur le côté droit du moteur.
3. Desserrez les vis sur le dessus du boîtier de commande et faites-le glisser pour le retirer de la hotte.
4. Retirez le couvercle du boîtier de commande.
5. Pour un maximum de 390 pi<sup>3</sup>/min (11,04 m<sup>3</sup>/min), la hotte peut fonctionner avec 4 vitesses (basse, moyenne, élevée ou suralimentée).
  - i. Débranchez les connecteurs du fil **BRUN**.
  - ii. Retirez le capuchon fixé sur le connecteur du fil **ROUGE**.
  - iii. Branchez le connecteur homologue du fil **BRUN** et du fil **ROUGE**.
  - iv. Fixez le capuchon à l'ouverture du connecteur du fil **BRUN**.
6. Réinstallez le couvercle du boîtier de commande et fixez le boîtier de commande au support de la hotte à l'aide des deux vis.
7. Connectez tous les faisceaux sur le dessus du boîtier de commande.
8. Réinstallez les filtres.

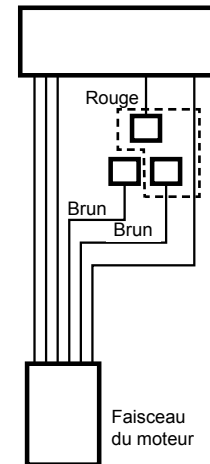
**Remarque destinée aux inspecteurs :** Pour vérifier l'installation de ce produit, vérifiez les connexions de câblage du moteur comme décrit ci-dessus.



Raccord de faisceau de moteur



Configuration du câblage installé en usine



Configuration du câblage de suralimentation (max. 390 pi<sup>3</sup>/min [11,04 m<sup>3</sup>/min])

# Conseils de dépannage... Avant de faire une demande de service

Économisez du temps et de l'argent! Reportez-vous au tableau suivant pour éviter tout appel de service qui ne serait pas nécessaire.

Problème	Causes possibles	Solutions
<b>Le ventilateur ou la lumière ne fonctionne pas lorsqu'ils sont activés</b>	Un fusible de la maison peut être grillé ou un disjoncteur s'est déclenché.	Remplacez le fusible ou réinitialisez le disjoncteur.
<b>Circulation d'air qui émet un bruit fort ou anormal</b>	Le conduit d'évacuation installé n'est pas du bon diamètre.	Cette hotte requiert un conduit de 8 po (20,3 cm) pour fonctionner de façon optimale. L'utilisation d'un conduit plus petit diminuera le débit d'évacuation de l'air. Minimisez la longueur du conduit et le nombre de transitions et de coudes. Les techniciens de service d'Électroménagers GE ne peuvent corriger ce problème si l'installation n'a pas été effectuée correctement.
<b>Le ventilateur ne parvient pas à faire circuler l'air ou déplace l'air plus lentement qu'à la normale et/ou le débit d'air émet un bruit fort ou anormal</b>	Le conduit est obstrué.	Assurez-vous que rien ne bloque l'évent. Assurez-vous que votre registre mural ou votre chapeau de toit est muni d'une ailette de protection ou d'un clapet.
	Le clapet mural ou le chapeau de toit ne doit pas être ouvert.	Assurez-vous également que le registre bouge librement. Le clapet du registre peut se retourner et il ne s'ouvrira pas complètement lorsque cela arrive. Remplacez le clapet à sa position d'origine.
	Le filtre à graisse métallique et le filtre à charbon (le cas échéant) peuvent être sales.	Nettoyez le filtre à graisse métallique et remplacez le filtre à charbon (le cas échéant). Consultez la section « Entretien et nettoyage ».
<b>Le ventilateur démarre et s'arrête sans cesse</b>	Il est probable que le moteur surchauffe et qu'il s'arrête par lui-même. Cela peut endommager le moteur.	Vérifiez que les filtres sont propres. Si le cycle continue, appelez le service de dépannage.
<b>La hotte ne fonctionne pas à distance</b>	Problèmes de routeur, pas de signal sans fil, etc.	Pour obtenir de l'aide sur la connectivité du réseau sans fil de la hotte, veuillez appeler au 1-800-220-6899.
	La hotte n'est pas connectée.	

# Garantie limitée des hottes de cuisinière à évacuation Café

cafeappliances.com

Toutes les réparations sous garantie sont effectuées par nos Centres de réparation ou par un technicien qualifié. Pour faire la demande d'une réparation en ligne, visitez [cafeappliances.com/service](https://cafeappliances.com/service). Au Canada, veuillez visiter : [https://service.geappliances.ca/servicio/fr\\_CA](https://service.geappliances.ca/servicio/fr_CA). Veuillez avoir les numéros de série et de modèle de votre appareil à portée de main lorsque vous appelez pour obtenir un service.

La réparation de votre appareil peut nécessiter l'utilisation d'un accès embarqué aux données pour déterminer le diagnostic. Cela permet à un technicien de réparation Café de diagnostiquer rapidement tout problème avec votre appareil et aide Café à améliorer ses produits en lui fournissant de l'information sur votre appareil. Si vous ne voulez pas que les données de votre appareil soient transmises à Café, veuillez aviser le technicien de ne pas transmettre de données à Café au moment de la réparation.

Pendant une période de	Café remplacera
Un an À compter de la date d'achat d'origine	Toute pièce défectueuse en raison d'un défaut de matériau ou de fabrication. Au cours de cette <b>garantie limitée d'un an</b> , Café fournira, <b>sans frais</b> , tous les coûts de main-d'œuvre et de service liés au remplacement de la pièce défectueuse.

## Ce que Café ne couvre pas :

- Toute visite à votre domicile pour vous expliquer le fonctionnement de l'appareil.
- L'installation, la livraison ou l'entretien inappropriés de l'appareil.
- Toute défectuosité du produit lorsqu'il a été utilisé de façon abusive ou inadéquate, ou employé à toute autre fin que celle pour laquelle il a été conçu, modifié ou utilisé à des fins commerciales.
- Le remplacement des fusibles ou le réenclenchement des disjoncteurs.
- Tout dommage au produit attribuable à un accident, à un incendie, à une inondation ou à une catastrophe naturelle.
- Tout dommage accessoire ou indirect, causé par des défaillances possibles de l'appareil.
- Tout dommage causé après la livraison.
- Tout produit auquel il n'est pas possible d'accéder pour effectuer les réparations nécessaires.
- La réparation ou le remplacement d'ampoules, à l'exception de DEL.

## EXCLUSIONS DES GARANTIES IMPLICITES

Votre seul et unique recours est de faire réparer le produit dans le cadre de cette garantie limitée. Toute garantie implicite, incluant la garantie de qualité marchande ou d'aptitude du produit à un usage particulier, est limitée à un an ou à la période la plus courte autorisée par la loi.

Cette garantie limitée est offerte à l'acheteur initial, ainsi qu'à tout propriétaire subséquent d'un produit acheté en vue d'une utilisation domestique aux États-Unis. Si le produit se situe dans une zone où aucun réparateur agréé par Café n'est disponible, vous devrez peut-être assumer les frais de déplacement de celui-ci ou apporter le produit à un atelier de réparation agréé par Café. En Alaska, la garantie limitée exclut les coûts d'expédition et les appels de service nécessitant une visite à domicile. Dans certains États ou certaines provinces, il est interdit d'exclure ou de limiter les dommages indirects ou accessoires. Il est alors possible que les limitations ou exclusions ci-dessus ne s'appliquent pas dans votre cas. La présente garantie limitée vous confère des droits juridiques spécifiques. Vous pouvez bénéficier d'autres droits, qui varient d'un État ou d'une province à l'autre. Pour connaître les droits dont vous bénéficiez dans votre État ou votre province, communiquez avec le bureau de la protection du consommateur de votre région, de votre État ou de votre province, ou le procureur général.

**Garant : Électroménagers GE, une entreprise de Haier**

Louisville, KY 40225, États-Unis

**Garant au Canada : MC Commercial, Burlington, ON, L7R 5B6**

# Accessoires

---

## Vous manquez de quelque chose?

Café propose une panoplie d'accessoires qui permettent d'améliorer votre expérience de cuisson et de nettoyage!

Reportez-vous à la page du service à la clientèle pour obtenir les informations sur le site Web.

Les produits suivants, et d'autres, sont offerts :

### Pièces

---

Filtres à déflecteur

---

Plateaux d'égouttement

---

Cache-conduits

---

Télécommande

---

Filtres à charbon

---

Nécessaire de recyclage de l'air

---

Registre de ventilation arrière

---

Panneau entretoise d'armoire de 15 po (38,1 cm)

---

Ensemble de cordon d'alimentation

---

### Fournitures de nettoyage

---

Lingettes CitruShine<sup>MC</sup> pour acier inoxydable

---

Nettoyant pour appareil en acier inoxydable

---

Bar Keepers Friend Soft Cleanser<sup>MC</sup>

---

## Service à la clientèle

---

### Site Web de Café

Vous avez des questions ou besoin d'assistance concernant votre appareil? Consultez le site Web de Café, accessible 24 heures sur 24, tous les jours de l'année! Vous pouvez également acheter d'autres excellents produits de Café et bénéficier de tous nos services de soutien en ligne conçus pour votre commodité. Aux États-Unis : [cafeappliances.com](http://cafeappliances.com).

Au Canada : [cafeappliances.ca/fr](http://cafeappliances.ca/fr).

---

### Enregistrez votre appareil

Enregistrez votre nouvel appareil en ligne au moment qui vous convient le mieux! L'enregistrement de votre produit dans les délais prescrits permet une meilleure communication et un service rapide, selon les modalités de votre garantie, si besoin est. Vous pouvez également envoyer par courrier la carte d'enregistrement préimprimée qui se trouve dans l'emballage de votre appareil.

Aux États-Unis : [cafeappliances.com/register](http://cafeappliances.com/register)

Au Canada : [https://service.geappliances.ca/servicio/fr\\_CA/](https://service.geappliances.ca/servicio/fr_CA/)

---

### Demande de service

Pour bénéficier du service de réparation de Café, il suffit de nous contacter. Vous pouvez demander une réparation en ligne à toute heure du jour, au moment qui vous convient le mieux.

Aux États-Unis : [cafeappliances.com/service](http://cafeappliances.com/service)

Au Canada : [https://service.geappliances.ca/servicio/fr\\_CA/](https://service.geappliances.ca/servicio/fr_CA/)

---

### Garanties prolongées

Procurez-vous une garantie prolongée Café et informez-vous au sujet des rabais spéciaux offerts tout au long de la durée de votre garantie. Vous pouvez vous la procurer en ligne en tout temps. Le service à la clientèle de Café sera toujours disponible après expiration de votre garantie.

Aux États-Unis : [cafeappliances.com/extended-warranty](http://cafeappliances.com/extended-warranty)

---

### Connectivité à distance

Pour de l'assistance concernant la connectivité réseau sans fil (pour les modèles avec activation à distance), visitez notre site Web à [cafeappliances.com/connect](http://cafeappliances.com/connect).

---

### Pièces et accessoires

Les personnes ayant les compétences requises pour réparer elles-mêmes leurs appareils peuvent recevoir directement à la maison des pièces ou accessoires (les cartes VISA, MasterCard et Discover sont acceptées). Commandez en ligne dès aujourd'hui, 24 heures sur 24.

Aux États-Unis : [cafeappliances.com/parts](http://cafeappliances.com/parts)

**Les directives fournies dans le présent manuel comportent des procédures que n'importe quel utilisateur peut effectuer. Les autres types de réparation doivent généralement être confiés à un technicien qualifié. Faites preuve de prudence : une réparation ou un entretien mal effectué peut rendre l'utilisation de l'appareil dangereuse.**

---

### Pour nous joindre

Si vous n'êtes pas satisfait du service après-vente de Café, communiquez avec nous sur notre site Web en fournissant tous les détails et votre numéro de téléphone, ou écrivez à :

Aux États-Unis : General Manager, Customer Relations | Café Appliances, Appliance Park | Louisville, KY 40225  
[cafeappliances.com/contact](http://cafeappliances.com/contact)

Au Canada : Directeur, relations avec les consommateurs, Mabe Canada Inc. | 1, Factory Lane, bureau 310 | Moncton, N.-B. E1C 9M3  
[electromenagersge.ca/fr/contactez-nous](http://electromenagersge.ca/fr/contactez-nous)

---