

Installation Instructions

27" & 30" Electric Built-In Wall Ovens

Questions? Call us at 1.800.432.2737 or visit GEAppliances.com.
In Canada, call 1.800.561.3344 or visit GEAppliances.ca.

BEFORE YOU BEGIN

Read these instructions completely and carefully.

- IMPORTANT** — Save these instructions for local inspector's use.
- IMPORTANT** — Observe all governing codes and ordinances.
- Note to Installer** — Be sure to leave these instructions with Consumer.

- Note to Consumer** — Keep these instructions for future reference.
- Skill level** — Installation of this appliance requires a qualified installer or electrician.
- Proper installation is the responsibility of the installer.
- Product failure due to improper installation is not covered under Warranty.
- Product is for indoor use only.

ATTENTION INSTALLER: All electric wall ovens must be hard-wired (direct-wired) into an approved junction box. A plug and receptacle is NOT permitted on these products.

FOR YOUR SAFETY:

WARNING

Before beginning the installation, switch power off at the service panel and lock the service disconnecting means to prevent power from being switched on accidentally. When the service disconnecting means cannot be locked, securely fasten a prominent warning device, such as a tag, to the service panel.

Be sure the oven is securely installed in a cabinet that is firmly attached to the house structure. Weight on the oven door could cause the oven to tip and result in injury. Never allow anyone to climb, sit, stand or hang on the oven door.

Make sure the wall coverings, counters and cabinets around the oven can withstand the heat (up to 200°F [93.3°C]) generated by the oven.

MATERIALS YOU MAY NEED

Junction Box
Wire Nuts
Strain Relief Clamp for 1/2" Conduit
36" (91 cm) of String

TOOLS YOU MAY NEED

1/8" Drill Bit and Electric or Hand Drill
T20 Screwdriver
Phillips Screwdriver
Wire Strippers
7/16" Nut Driver (combination ovens)
1/4" Nut Driver (30" combination ovens)

1 REMOVE PACKAGING MATERIALS

Failure to remove packaging materials could result in damage to the appliance. Remove all packing parts from oven, racks and heating elements. Remove protective film and labels on the outer door and control panel. Also, remove plastic on trims and panel, all tape around the oven and any shipping screws securing the oven to the base pad. Open oven door and remove literature pack and oven racks. Remove the bottom trim from the top of the oven. It will be installed at the end of the installation process. The trim is wrapped separately and taped to the top of the unit. Remove pedestal rails from separate box and set aside (30" Double Wall Ovens Only).

DESIGN INFORMATION

SINGLE OVEN INSTALLATIONS

The single oven may be installed in a cabinet alone or above a warming drawer. The single oven may also be installed side by side, below a countertop, or below specified cooktops. See the label on top of the oven for approved models.

DOUBLE AND COMBINATION OVEN INSTALLATIONS

A double or combination oven may be installed in a cabinet alone or above a warming drawer. See the label on top of the oven for approved models.

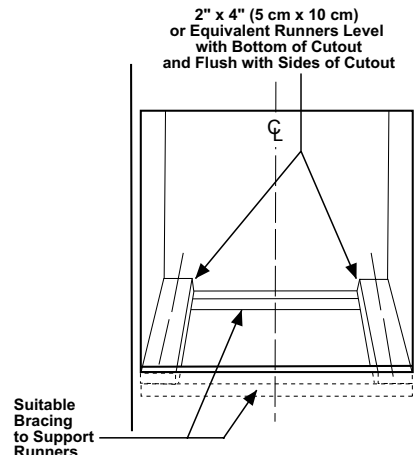
IMPORTANT: Always refer to individual installation instructions packed with each product for specific requirements.

2 PREPARE THE OPENING

NOTE: If the cabinet does not have a solid bottom, two braces or runners must be installed to support the weight of the oven. For single ovens, the runners and braces must support 220 lbs (99 kg). For double and combination ovens, the runners and braces must support 400 lbs. (181 kg).

NOTE: If marks, blemishes or the cutout opening are visible above the installed oven, it may be necessary to add wood shims under the runners until the marks or opening are covered.

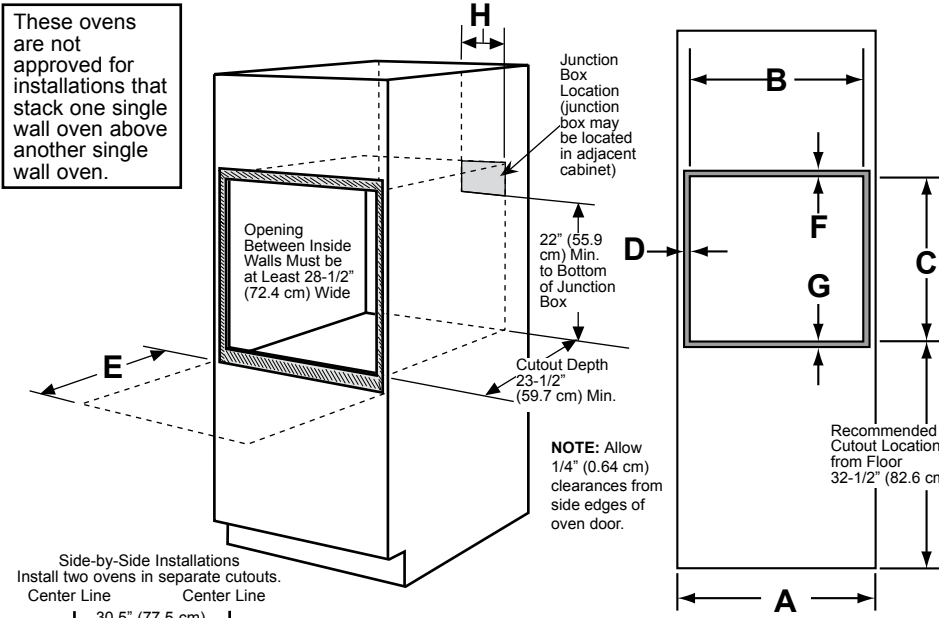
NOTE: If the cabinet does not have a front frame and the sides are less than 3/4" (1.9 cm) thick, shim both sides equally to establish the cutout width.



2 A CUTOUT FOR SINGLE OVENS IN WALL CABINET

NOTE: If the cabinet does not have a front frame and the sides are less than 3/4" (1.9 cm) thick, shim both sides equally to establish the cutout width.

These ovens are not approved for installations that stack one single wall oven above another single wall oven.

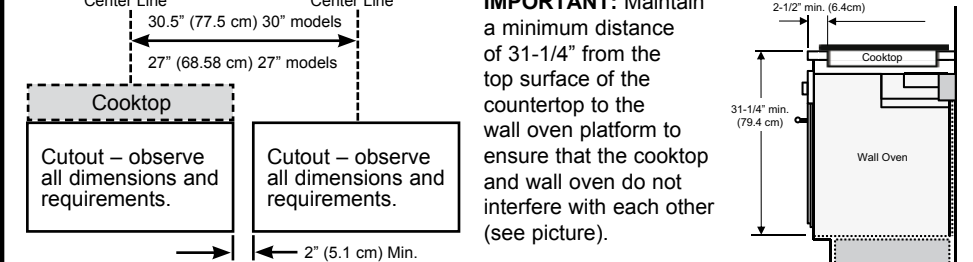
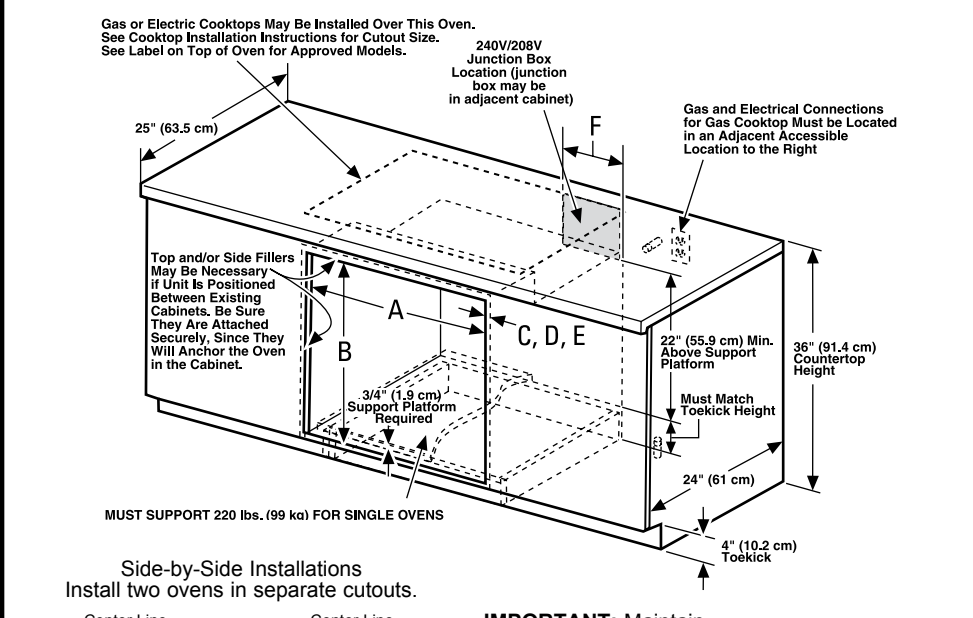


Dimension	Dimension Description	27" Single Oven	30" Single Oven
A	Cabinet Width	27" (68.6 cm)	30" (76.2 cm)
B	Cutout Width	25" (63.5 cm) min. 25 1/4" (64.1 cm) max.	28 1/2" (72.4 cm) min. 28 3/4" (72.7 cm) max.
C	Cutout Height	27 3/4" (70.2 cm) min. 28 1/2" (71.4 cm) max.	27 1/4" (69.2 cm) min. 27 3/4" (69.4 cm) max.
D	Clearance from cutout - side edges*	1" (2.5 cm)	1 1/8" (1.75 cm)
E	Clearance to Adjacent Corners, Drawers, Walls, etc., When Door Is Open	23" (50.8 cm) min.	23" (53.3 cm) min.
F	Clearance from cutout - top*	1" (2.5 cm) min.	1" (2.5 cm) min. (1 1/4" (3.2 cm) for PT9050, ZET1S and ZET1P)
G	Clearance from cutout - bottom*	1" (2.5 cm) min.	1 1/4" (3.2 cm)
H	Junction Box Location	8 3/4" (22.2 cm) max. right side only	9 1/2" (24.1 cm) max. right side only

* Refers to minimum clearance required for wall oven installation and does not reflect actual product dimensions.

2 B CUTOUT FOR SINGLE OVENS - UNDER COUNTER

NOTE: These ovens are only approved to be installed under the specific models as labeled on the unit.

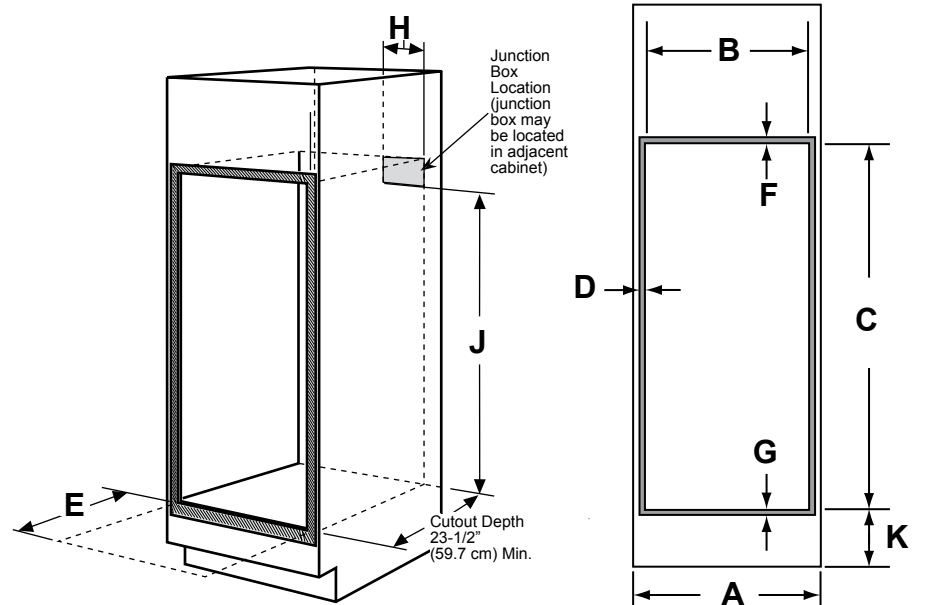


Dimension	Dimension Description	27" Single Oven	30" Single Oven
A	Cabinet Width	25" (63.5 cm) min. 25 1/4" (64.1 cm) max.	28 1/2" (72.4 cm) min. 28 3/4" (72.7 cm) max.
B	Cutout Height	27 3/4" (70.2 cm) min. 28 1/2" (71.4 cm) max.	27 1/4" (69.2 cm) min. 27 3/4" (69.4 cm) max.
C	Clearance from cutout - top*	1" (2.5 cm)	1" (2.5 cm) (1 1/4" (3.2 cm) for PT9050, ZET1S and ZET1P)
D	Clearance from cutout - bottom*	1" (2.5 cm)	1 1/4" (3.2 cm)
E	Clearance from cutout - side edges*	1" (2.5 cm)	1 1/8" (1.75 cm)
F	Junction Box Location	8 3/4" (22.2 cm) max. right side only	9 1/2" (24.1 cm) max. right side only

* Refers to minimum clearance required for wall oven installation and does not reflect actual product dimensions.

2 C CUTOUT FOR DOUBLE OVENS (2 THERMAL OVENS)

NOTE: If the cabinet does not have a front frame and the sides are less than 3/4" (1.9 cm) thick, shim both sides equally to establish the cutout width.



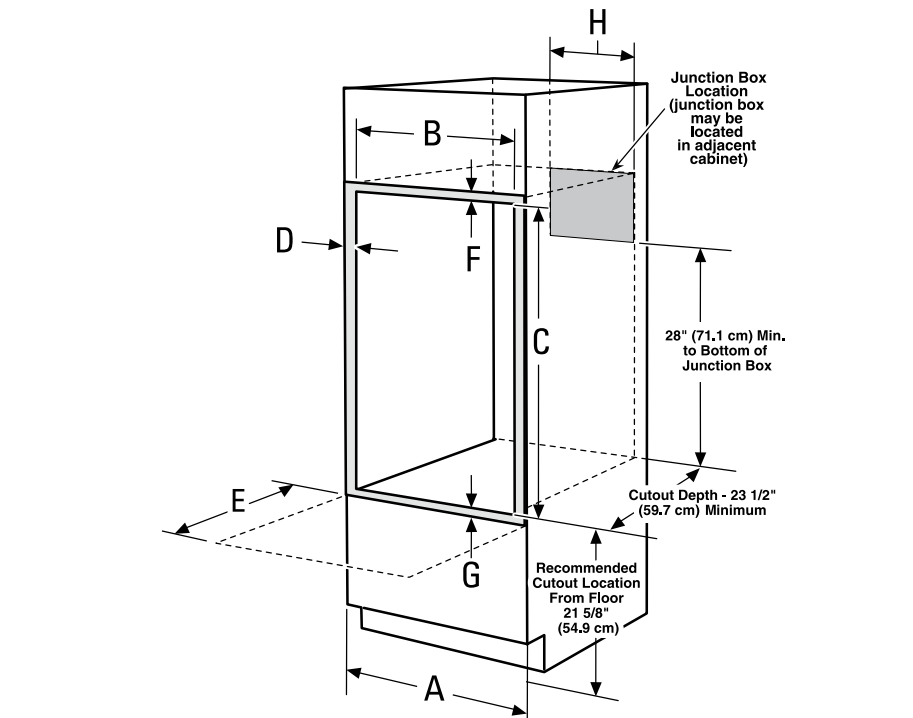
Dim.	Description	27" Double Oven	30" Double Oven with Pedestal	30" Double Oven without Pedestal
A	Cabinet Width	27" (68.6 cm)	30" (76.2 cm)	30" (76.2 cm)
B	Cutout Width	25" (63.5 cm) min. 25 1/4" (64.1 cm) max.	28 1/2" (72.4 cm) min. 28 3/4" (72.7 cm) max.	28 1/2" (72.4 cm) min. 28 3/4" (72.7 cm) max.
C	Cutout Height	49 1/8" (126.2 cm) min. 50 1/4" (127.3 cm) max.	51 3/8" (131.6 cm) min. 51 1/2" (131.9 cm) max.	50 1/4" (127.64 cm)
D	Clearance from cutout - side edges*	1" (2.5 cm)	1 1/8" (1.75 cm)	1 1/8" (1.75 cm)
E	Clearance to Adjacent Corners, Drawers, Walls, etc., When Door Is Open	23" (50.8 cm) min.	23" (53.3 cm) min.	23" (53.3 cm) min.
F	Clearance from cutout - top*	1" (2.5 cm) min.	1" (2.5 cm) min. (1 1/4" (3.2 cm) for PT9050, ZET1S and ZET1P)	1" (2.5 cm) min. (1 1/4" (3.2 cm) for PT9050, ZET1S and ZET1P)
G	Clearance from cutout - bottom*	1" (2.5 cm) min.	1 1/4" (3.2 cm)	1 1/4" (3.2 cm)
H	Junction Box Location	8 3/4" (22.2 cm) max. right side only	9 1/2" (24.1 cm) max. right side only	9 1/2" (24.1 cm) max. right side only
J	Height to Bottom of Junction Box	44" (111.8 cm)	47" (119.4 cm)	47" (119.4 cm)
K	Recommended Cutout Location from Floor	13 1/4" (33.7 cm)	12" (30.5 cm)	12" (30.5 cm)

* Refers to minimum clearance required for wall oven installation and does not reflect actual product dimensions.

Continue to Section 3.

2 D CUTOUT FOR COMBINATION OVENS (WITH UPPER MICROWAVE OVEN)

NOTE: If the cabinet does not have a front frame and the sides are less than 3/4" (1.9 cm) thick, shim both sides equally to establish the cutout width.



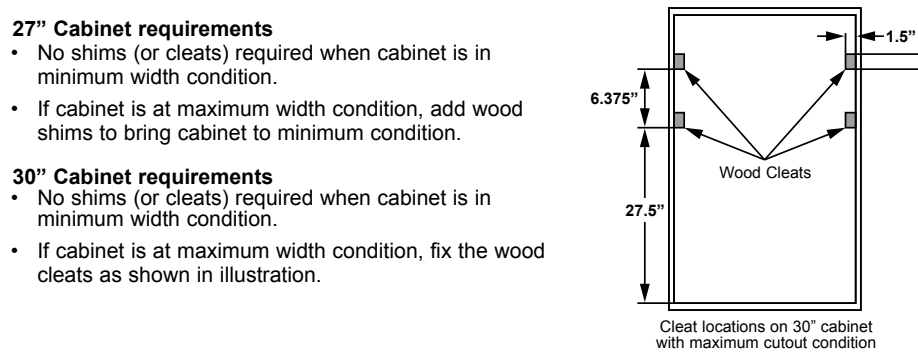
Dim.	Description	27" Oven with Microwave	30" Oven with Microwave
A	Cabinet Width	27" (68.6 cm)	30" (76.2 cm)
B	Cutout Width	25" (63.5 cm) min. 25 1/4" (64.1 cm) max.	28 1/2" (72.4 cm) min. 28 3/4" (72.7 cm) max.
C	Cutout Height	41 1/8" (104.5 cm) min. 41 1/4" (104.8 cm) max.	42 3/8" (107.2 cm) min. 42 1/4" (107.3 cm) max.
D	Clearance from cutout - side edges*	1" (2.5 cm)	1 1/8" (1.75 cm)
E	Clearance to Adjacent Corners, Drawers, Walls, etc., When Door Is Open	23" (58.4 cm) min.	23" (58.4 cm)
F	Clearance from cutout - top*	1" (2.5 cm) min.	1" (2.5 cm) min.
G	Clearance from cutout - bottom*	1" (2.5 cm) min.	1 1/4" (3.2 cm)
H	Junction Box Location	8 3/4" (22.2 cm) max. right side only	9 1/2" (24.1 cm) max. right side only

* Refers to minimum clearance required for wall oven installation and does not reflect actual product dimensions.

Continue to Section 2E.

2 E SECURING UPPER MICROWAVE/ADVANTUM OVEN TO CABINET

For double oven with microwave or Advantium upper ovens. Secure a wooden cleat to side of cabinet so that the upper oven can be secured to the cleat with provided screws.

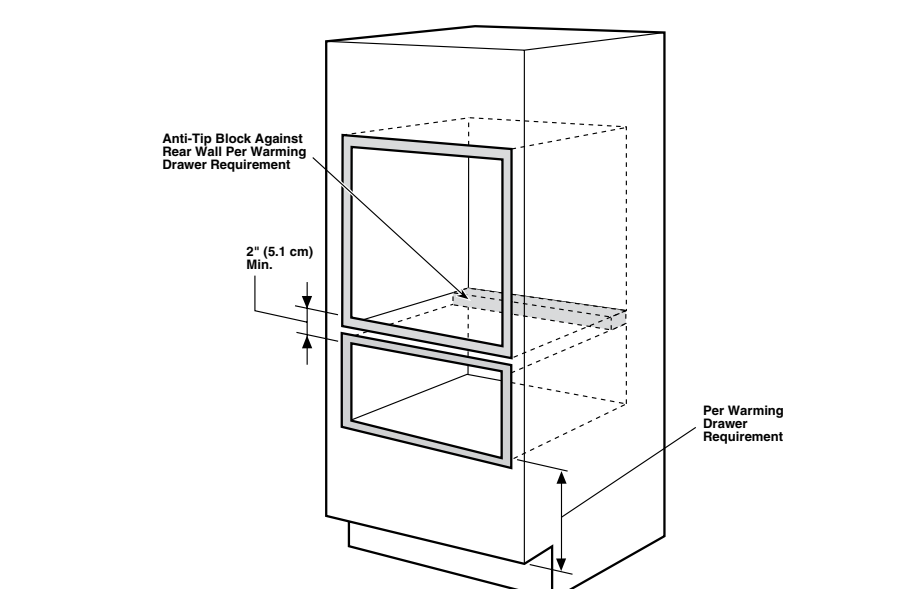


2 F CUTOUT FOR INSTALLATION OVER A WARMING DRAWER

NOTE: Install the oven only with specific models listed on the label located on top of the oven.

NOTE: Additional clearances between cutouts may be required. Check to be sure the oven supports above the Warming Drawer location do not obstruct the required interior depth and height.

When installing a Warming Drawer below a single, double, or combination oven, a separate 120V, 60 HZ, properly grounded receptacle must be installed. Refer to installation instructions packed with the Warming Drawer for specific installation requirements.



Continue to Section 3 for Double Wall Oven with Pedestal. Otherwise, continue to Section 4.

3 A DETERMINING WHEN TO USE THE PEDESTAL (30" DOUBLE OVENS ONLY)

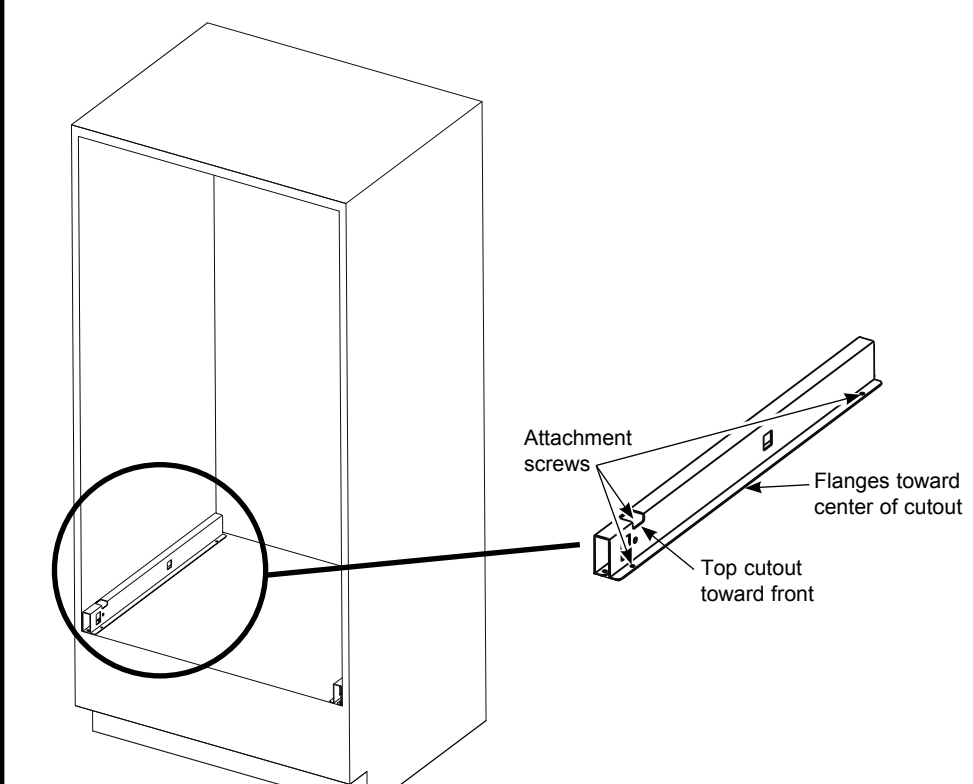
WHEN TO USE THE PEDESTAL
When replacing an older GE Appliances 30" double wall oven with a new GE Appliances model. Cutout height = 51-13/16" to 51-15/16". This is our traditional cutout height.

WHEN NOT TO USE THE PEDESTAL
When replacing a 30" double wall oven from another manufacturer (ie. Whirlpool) with a new GE Appliances 30" double wall oven. Cutout height = 50-1/4". You will need to verify that the existing cutout matches the 50-1/4" dimension.

If the new GE Appliances 30" double wall oven is being installed into new construction (ie. not a replacement), then the recommended installation is to use the Pedestal.

3 B PEDESTAL RAIL INSTALLATION (30" DOUBLE OVENS ONLY)

- Position the pedestal rails with the top cutout toward the front of the opening and the flanges on the bottom, pointing toward the center. Locate each rail on the floor or cabinet runner, slightly inward from the side of the cabinet. Make sure the front of each rail is not protruding beyond the front of the cabinet opening.
- Drill pilot holes and attach rails to runner or bottom of cabinet with provided hardware.



4 A DOOR REMOVAL (RECOMMENDED FOR THERMAL OVENS)

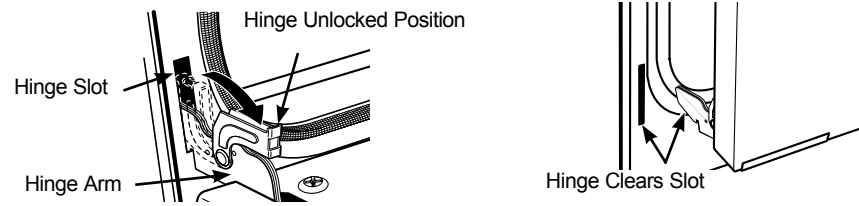
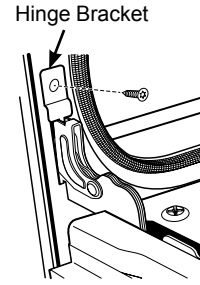
▲WARNING

The door for the microwave oven on a combination oven should never be removed, unless by a certified technician.

NOTE: Door removal is not a requirement for installation of the product but is an added convenience.

To remove the door:

- Open the oven door as far as it will go.
- Remove hinge bracket, if equipped, from front frame and set aside. The hinge bracket must be replaced, if equipped, for proper door functionality when door is reinstalled.
- Push both hinge locks down toward the door frame to the unlocked position. This may require a flat-blade screwdriver. **DO NOT LIFT THE DOOR BY THE HANDLE!**
- Place hands on both sides of the door and close the oven door to the removal position (approximately 1"-2" [2.5 cm-5.1 cm] from the closed position).
- Lift the door up and out until the hinge arms clear the slots. **NOTE:** The oven door is very heavy. Be sure you have a firm grip before lifting the oven door off the hinges. Use caution once the door is removed. Do not lay the door on its handle. This could cause dents or scratches.

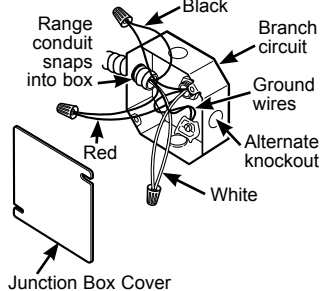


8 FOUR-CONDUCTOR BRANCH CIRCUIT CONNECTION

NOTE: If residence leads are aluminum conductors, see WARNING in Section 5, Electrical Requirements.

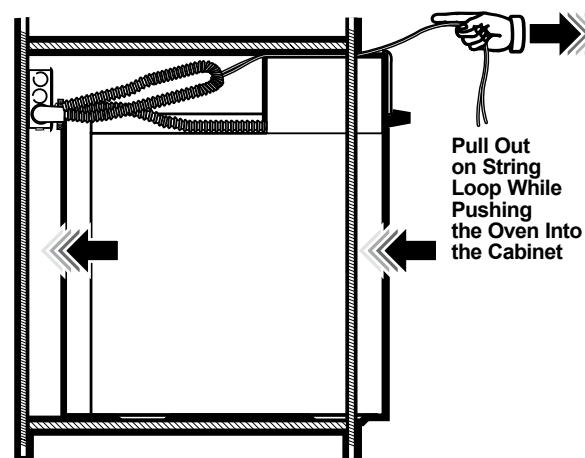
When connecting to a four-conductor branch circuit, if local codes permit:

- Free the neutral (white) lead from being restrained to any other wires. If necessary, cut the neutral (white) lead and then re-strip it to expose the proper length of conductor.
- Attach the appliance grounding lead (green or bare copper) in accordance with local codes.
- Connect the oven neutral (white) lead to the branch circuit neutral (white or gray) in accordance with local codes, using a wire nut.
- Connect the oven red lead to the branch circuit red lead and the oven black lead to the branch circuit black lead in accordance with local codes, using wire nuts.
- Install proper strain relief clamp.
- Install junction box cover.



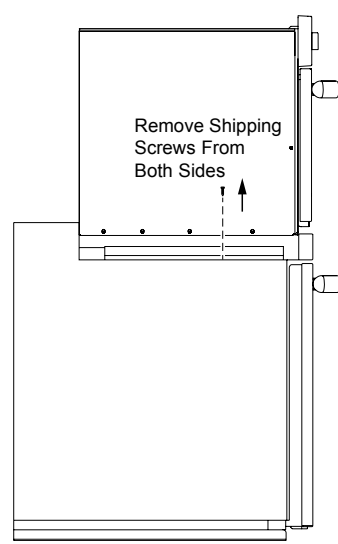
9 SLIDE OVEN INTO OPENING

- Loop (do not tie) a 36" (91 cm) string around the conduit before the oven is slid into place. This will keep the conduit from falling behind the oven.
- Lift oven into cabinet cutout using the oven opening as a grip. Carefully push against oven front frame. Do not push against outside edges.
- As you slide the oven back, pull the string so that the conduit will lie on top of the oven in a natural loop. For a combination oven, pull the conduit so that it sits above the lower oven on the left side (as viewed from the front).
- When you are sure the conduit is out of the way, slide the oven 3/4 way back into the opening. Remove the string by pulling on one end of the loop.



4 B SHIPPING SCREWS REMOVAL (FOR 30" COMBINATION OVEN UPPER OVEN ONLY)

Shipping screws must be removed as shown in illustration. You will need a 1/4" Nut Driver.



5 ELECTRICAL REQUIREMENTS

▲WARNING

This appliance must be properly grounded.

▲WARNING

To prevent fire or shock, do not use an extension cord with this appliance.

▲WARNING

To prevent shock, remove house fuse or open circuit breaker before beginning installation.

▲WARNING

Improper connection of aluminum house wiring to copper leads can result in an electrical hazard or fire. Use only connectors designed for joining copper to aluminum and follow the manufacturer's recommended procedure closely.

We recommend you have the electrical wiring and hookup of your appliance connected by a qualified electrician. After installation, have the electrician show you how to disconnect power from the appliance.

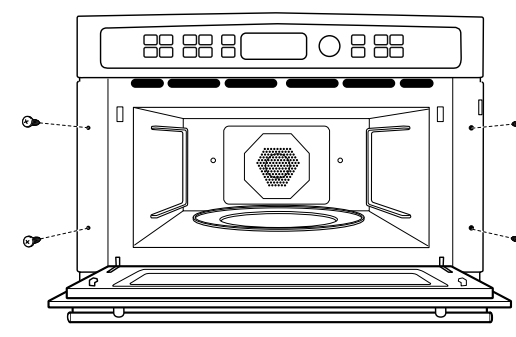
You must use a single-phase, 120/208 VAC or 120/240 VAC, 60 Hertz electrical system. If you connect to aluminum wiring, properly installed connectors approved for use with aluminum wiring must be used.

Effective January 1, 1996, the National Electrical Code requires that new construction (not existing) utilize a four-conductor connection to an electric oven. When installing an electric oven in new construction, a mobile home, recreational vehicle or an area where local codes prohibit grounding through the neutral conductor, refer to the section on four-conductor branch circuit connections.

Check with your local utilities for electrical codes which apply in your area. Failure to wire your oven according to governing codes could result in a hazardous condition. If there are no local codes, your oven must be wired and fused to meet the National Electrical Code, NFPA No. 70 - latest edition, available from the National Fire Protection Association.

10 A INSTALL MOUNTING SCREWS (UPPER OVEN ON COMBINATION OVENS)

- Slide the oven the remaining way into the opening so that the side flanges and control panel are against the cabinet frame. Make sure that the oven is centered in the opening.
- Open the door, place a turntable tray in the oven and make sure that the tray in the unit is level.
- Drill pilot holes through the side flanges.
- Drive the color-matched screws into the side flanges. It is recommended that the screws be hand tightened.



10 B INSTALL MOUNTING SCREWS (THERMAL OVENS)

▲WARNING

Mounting screws must be used. Failure to do so could result in the oven falling out of the cabinet, causing serious injury.

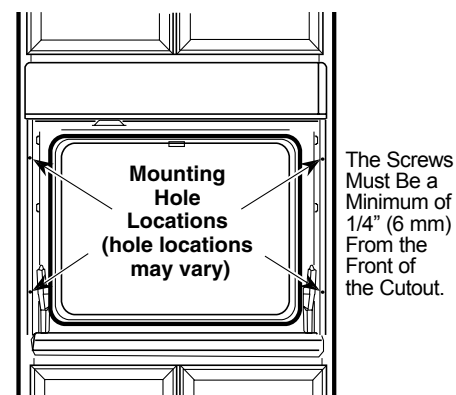
NOTE: During oven mounting step, ensure that no damage is done to oven gasket which lines the edge of oven cavity.

NOTE: Before drilling the pilot holes, make sure the oven is pushed as far back into the opening as it will go and is centered.

NOTE: If the cabinet is particle board, you must use #8 x 3/4" particle board screws. These may be purchased at any hardware store.

A. Drill through the mounting holes (top and bottom) of the side trim for the #8 mounting screws provided.

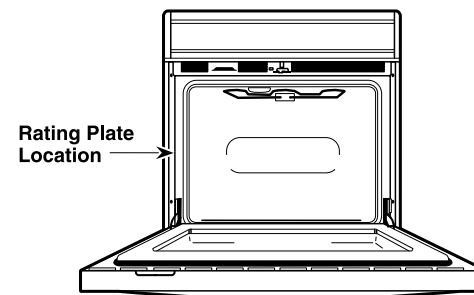
B. Secure the oven cabinet with the screws provided.



Some models have custom handles. Please follow the instructions with the handles for proper installation.

5 ELECTRICAL REQUIREMENTS (CONT.)

This appliance must be supplied with the proper voltage and frequency and connected to an individual, properly grounded branch circuit, protected by a circuit breaker or fuse. See the rating plate located on the oven frame to determine the rating of the product.



Rating plate is located on the oven side trim.

Use the chart below to determine the minimum recommended dedicated circuit protection:

KW Rating 240V	KW Rating 208V	Recommended Circuit Size (Dedicated)
≤4.8 KW	≤4.1 KW	20 Amp
4.9 KW-7.2 KW	4.2 KW-6.2 KW	30 Amp
7.3 KW-9.6 KW	6.3 KW-8.3 KW	40 Amp
9.7 KW-12.0 KW	8.4 KW-10.4 KW	50 Amp

DO NOT shorten the flexible conduit. The conduit strain relief clamp must be securely attached to the junction box and the flexible conduit must be securely attached to the clamp. If the flexible conduit will not fit within the clamp, do not install the oven until a clamp of the proper size is obtained.

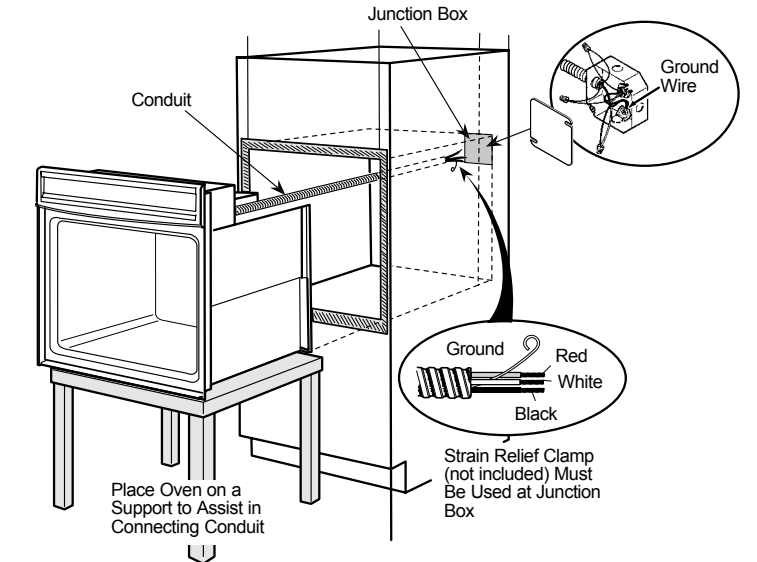
The 3 power leads supplied with this appliance are suitable for connection to heavier gauge household wiring. The insulation of these 3 leads is rated for temperatures much higher than the temperature rating of the household wiring. The current-carrying capacity of the conductor is governed by the wire gauge and the temperature rating of the insulation around the wire.

6 MAKE ELECTRICAL CONNECTIONS

▲WARNING

Switch power off at the service panel and lock the service disconnecting means to prevent power from being switched on accidentally. When the service disconnecting means cannot be locked, securely fasten a prominent warning device, such as a tag, to the service panel.

Place oven on table or platform even with the cutout opening. For a single oven, the platform must support 220 lbs. (99 kg); for a double or combination oven, the platform must support 400 lbs. (181 kg). Connect the flexible conduit to the electrical junction box as shown below*. Position the conduit in such a manner that it will lie behind the unit in a natural loop when the oven is installed**. You will need to purchase an appropriate strain relief clamp to complete the connection of the conduit to the junction box.



*Ovens come equipped with a 40" or 54" long conduit. If a longer conduit is desired, there may be one available for your model. To check availability or order parts, call GE Appliances at 1.800.GE.CARES.

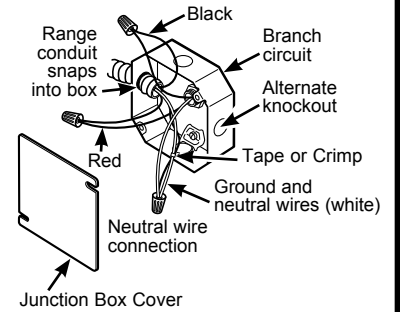
**Combination Oven with upper microwave oven - it is recommended to install the conduit through the side of the junction box as shown in the illustration above.

7 THREE-CONDUCTOR BRANCH CIRCUIT CONNECTION

NOTE: If residence leads are aluminum conductors, see WARNING in Section 5, Electrical Requirements.

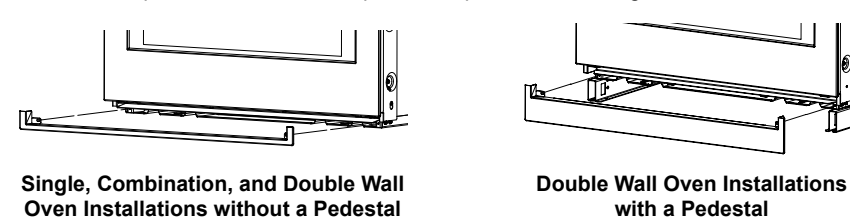
When connecting to a three-conductor branch circuit, if local codes permit:

- Connect the oven ground conductor along with the neutral (white) lead to the branch circuit neutral (white or gray in color), using a wire nut.
- Connect the oven red lead to the branch circuit red lead and the oven black lead to the branch circuit black lead in accordance with local codes, using wire nuts.
- Install proper strain relief clamp.
- Install junction box cover.



11 BOTTOM TRIM INSTALLATION

With oven installed, attach the bottom trim through its mounting holes in front vertical brace using two trim screws provided. Bottom trim lip must be placed under flange of bottom air duct.



Single, Combination, and Double Wall Oven Installations without a Pedestal

Double Wall Oven Installations with a Pedestal

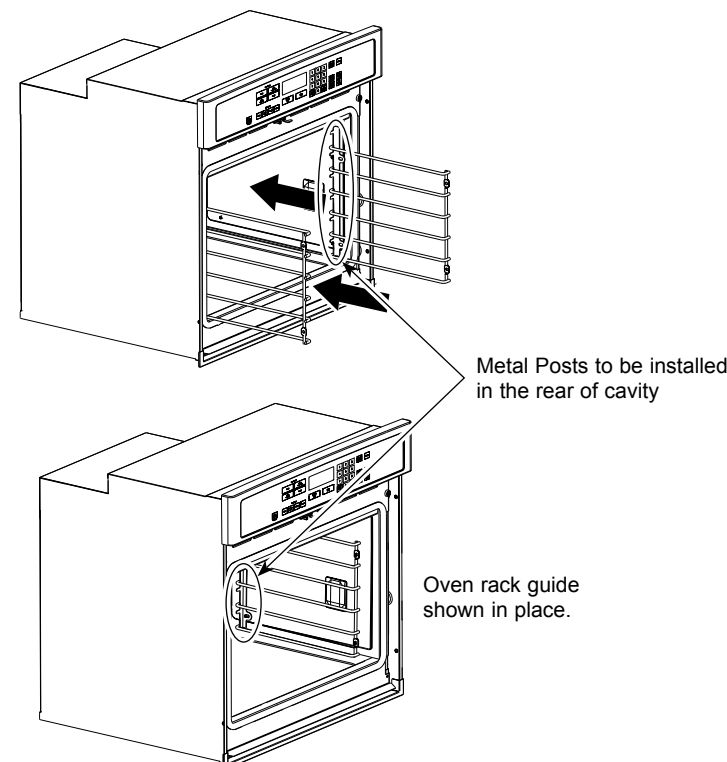
IMPORTANT: If this unit is ever removed from the cabinet or the oven is ever pulled out for service, the bottom trim must be removed first or damage to the trim will occur.

12 OVEN RACK GUIDE INSTALLATION (IF APPLICABLE)

A. Locate included oven rack guide mounting hardware.

B. Place oven rack guides on cavity wall studs with metal posts towards back of cavity as shown.

C. Install guides using the 8 provided mounting nuts.



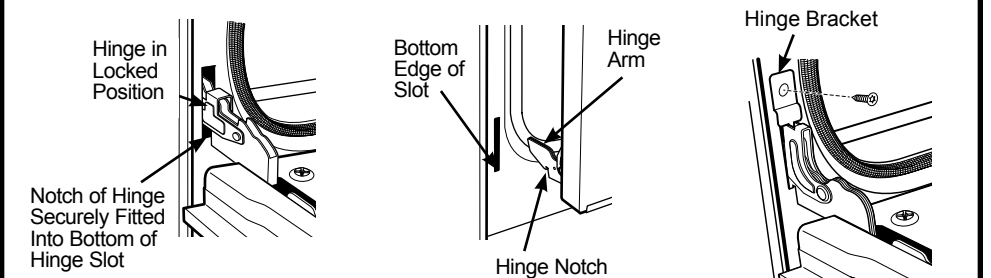
Metal Posts to be installed in the rear of cavity

Oven rack guide shown in place.

13 REPLACING THE THERMAL OVEN DOOR

NOTE: The oven door is heavy. You may need help lifting the door high enough to slide it into the hinge slots. Do not lift the door by the handle.

- Lift the oven door by grasping each side.
- With the door at the same angle as the removal position (approximately 1"-2" [2.5 cm-5.1 cm] from the closed position), seat the notch of the hinge arm into the bottom edge of the hinge slot. The notch of the hinge arm must be fully seated into the bottom of the slot.
- Fully open the door. If the door will not fully open, the indentation is not seated correctly in the bottom edge of the slot.
- Push the hinge locks up against the front frame of the oven cavity, to the locked position.
- Replace hinge bracket, if equipped, to ensure proper door functionality.
- Close the oven door.



14 FINAL INSTALLATION CHECKLIST

- Check to make sure the circuit breaker is closed (RESET) or the circuit fuses are replaced.
- Be sure power is in service to the building.
- Check that all packing material and tape have been removed. Failure to remove these materials could result in damage to the appliance once the appliance has been turned on and surfaces have heated.
- Remove all items from inside the oven.
- Check to be sure that the mounting screws are installed and flush with the side trim (see Section 10).
- Check that the bottom trim is installed properly (see Section 11).
- Ensure that air duct opening at bottom of unit is free of obstructions.
- Check that oven rack guides (if applicable) are installed correctly and oven racks function smoothly.
- If applicable - install handles following handle installation instructions and check that both ends are secured.

OPERATION CHECKLIST

- Turn on the power to the oven (refer to your Owner's Manual). Verify that the bake and broil units and all cooking functions operate properly.
- See your Owner's Manual for the troubleshooting list.
- Be sure all of the oven controls are OFF before leaving the oven.

Instructions d'installation

Fours électriques encastrés de 27 po et 30 po

Des questions? Téléphonnez au 1-800-432-2737 ou visitez GEAppliances.com.
Au Canada, téléphonez au 1-800-561-3344 ou visitez electromenagersge.ca.

AVANT DE COMMENCER

Lisez attentivement toutes ces instructions.

- IMPORTANT** – Conservez ces instructions pour l'inspecteur local.
- IMPORTANT** – Respectez tous les codes et règlements en vigueur.
- Remarque destinée à l'installateur** – Veillez à laisser ces instructions au consommateur.
- Remarque destinée au consommateur** – Conservez ces instructions pour vous y reporter ultérieurement.

AVERTISSEMENT DESTINÉ À L'INSTALLATEUR : Tous les fours encastrés électriques doivent être raccordés par câble (en ligne directe) à une boîte de jonction approuvée. L'utilisation d'une fiche et d'une prise est INTERDITE pour ce type d'appareil.

Niveau de compétence – L'installation de cet appareil doit être effectuée par un installateur ou un électricien qualifiés.

L'installateur est responsable de la qualité de l'installation.

Une défaillance de ce produit causée par une mauvaise installation n'est pas couverte par la garantie.

Cet appareil est destiné à un usage domestique à l'intérieur uniquement.

POUR VOTRE SÉCURITÉ :

AVERTISSEMENT Avant de commencer l'installation, coupez le courant au tableau de distribution et bloquez le disjoncteur pour éviter que le courant ne soit accidentellement rétabli. S'il n'est pas possible de bloquer le disjoncteur, posez un avertissement bien visible, comme une étiquette, sur le tableau de distribution.

Assurez-vous que le four est installé dans une armoire qui est solidement fixée à la structure de l'habitation. Une lourde charge posée sur la porte du four pourrait faire basculer le four et causer des blessures. Ne permettez jamais à personne de grimper, de s'asseoir, de se tenir debout sur la porte du four, ni même de s'y accrocher.

Assurez-vous que les revêtements muraux, les comptoirs et les armoires autour du four peuvent supporter les températures générées par celui-ci (jusqu'à 200 °F/93,3 °C).

ARTICLES DONT VOUS POURRIEZ AVOIR BESOIN	OUTILS DONT VOUS POURRIEZ AVOIR BESOIN
Boîte de jonction	Perceuse manuelle ou électrique et foret de 1/8 po
Capuchons de connexion	Tournevis T20
Collier de serrage pour câble de 1/2 po	Tournevis Phillips
36 po (91 cm) de corde	Pince à dénuder
	Tournevis à douille de 7/16 po (four combiné)
	Tournevis à douille de 1/4 po (four combiné de 30 po)

1 RETIREZ LES MATÉRIEAUX D'EMBALLAGE

Si vous n'enlevez pas les matériaux d'emballage, vous pourriez endommager l'appareil. Retirez du four toutes les pièces d'emballage du four, des grilles et des éléments chauffants. Retirez le film protecteur et les étiquettes de la porte extérieure et du tableau de commande. Retirez également le film protecteur en plastique sur les garnitures et le panneau, le ruban adhésif autour du four et toutes les vis d'expédition qui fixent le four à la plaque de base. Ouvrez la porte du four et retirez le sac de la documentation et les grilles de four. Retirez la garniture inférieure du dessus du four. Elle sera posée à la fin de l'installation. La garniture est emballée séparément et fixée au-dessus de l'appareil avec du ruban adhésif. Retirez les rails du piédestal de la boîte séparée et mettez-les de côté (fours encastrés doubles de 30 po uniquement).

INFORMATION DE CONCEPTION

INSTALLATIONS DE FOUR SIMPLE

Le four simple peut être installé seul dans une armoire ou au-dessus d'un tiroir-réchaud. Le four simple peut également être installé côte à côte, sous un comptoir ou sous certaines surfaces de cuisson. Voir l'étiquette sur le dessus du four pour connaître les modèles de surface de cuisson approuvés.

INSTALLATIONS D'UN FOUR DOUBLE OU COMBINÉ

Un four double ou un four combiné peut être installé seul dans une armoire ou au-dessus d'un tiroir-réchaud. Voir l'étiquette sur le dessus du four pour connaître les modèles de surface de cuisson approuvés.

IMPORTANT : Reportez-vous toujours aux instructions d'installation fournies avec chaque produit pour en connaître les exigences spécifiques.

2 PRÉPARATION DE L'OUVERTURE

REMARQUE : Si l'armoire ne possède pas un fond assez solide, deux entretoises ou coulisseaux doivent être installés pour supporter le poids du four. Pour les fours simples, les coulisseaux et entretoises doivent pouvoir supporter un poids de 220 lb (99 kg). Pour les fours doubles et les fours combinés, les coulisseaux et entretoises doivent pouvoir supporter un poids de 400 lb (181 kg).

REMARQUE : Si des marques, des taches ou la découpe sont visibles au-dessus du four installé, il peut s'avérer nécessaire d'ajouter des cales en bois sous les coulisseaux jusqu'à ce que les marques ou l'ouverture soient recouvertes.

REMARQUE : Si l'armoire ne possède pas de façade avant et que ses côtés mesurent moins de 3/4 po (1,9 cm) d'épaisseur, ajoutez des cales d'épaisseur identiques des deux côtés pour obtenir la largeur d'ouverture nécessaire.

2 A DÉCOUPE POUR FOURS SIMPLES DANS UNE ARMOIRE MURALE

REMARQUE : Si l'armoire ne possède pas de façade avant et que ses côtés mesurent moins de 3/4 po (1,9 cm) d'épaisseur, ajoutez des cales d'épaisseur identiques des deux côtés pour obtenir la largeur d'ouverture nécessaire.

Ces fours ne sont pas approuvés pour les installations où un four encastré simple est superposé à un autre four encastré simple.

Emplacement de la boîte de jonction (peut également être située dans une armoire adjacente)

22 po (55,9 cm) min. jusqu'au bas de la boîte de jonction

Profondeur de découpe 23-1/2 po (59,7 cm) min.

REMARQUE : Laissez un dégagement de 1/4 po (0,64 cm) des bords latéraux de la porte du four.

Emplacement de découpe recommandé à partir du plancher 32-1/2 po (82,6 cm)

Dimension	Description de la dimension	Four simple de 27 po	Four simple de 30 po
A	Largeur de l'armoire	27 po (68,6 cm)	30 po (76,2 cm)
B	Largeur de la découpe	25 po (63,5 cm) min. 25 1/4 po (64,1 cm) max.	28 1/2 po (72,4 cm) min. 28 3/8 po (72,7 cm) max.
C	Hauteur de la découpe	27 3/8 po (70,2 cm) min. 28 1/4 po (71,4 cm) max.	27 1/4 po (69,2 cm) min. 27 3/4 po (69,4 cm) max.
D	Dégagement de la découpe – bords latéraux*	1 po (2,5 cm)	1 1/2 po (1,75 cm)
E	Dégagement aux coins adjacents, aux tiroirs, aux murs, etc., lorsque la porte est ouverte	23 po (58,4 cm) min.	23 po (58,4 cm) min.
F	Dégagement de la découpe – haut*	1 po (2,5 cm) min.	1 po (2,5 cm) min. (1/4 po [3,2 cm] pour PT9050, ZET1S et ZET1P)
G	Dégagement de la découpe – bas*	1 po (2,5 cm) min.	1 1/4 po (3,2 cm)
H	Emplacement de la boîte de jonction	8 1/2 po (22,2 cm) max., côté droit uniquement	9 1/2 po (24,1 cm) max., côté droit uniquement

* Ces mesures représentent le dégagement minimal requis pour l'installation du four encastré et ne reflètent pas les dimensions réelles du produit.

2 B DÉCOUPE POUR FOURS SIMPLES – SOUS LE COMPTOIR

REMARQUE : Ces fours sont approuvés pour n'être installés que sous certains modèles, tels qu'indiqué sur une étiquette située sur l'appareil.

Une surface de cuisson à gaz ou électrique peut être installée au-dessus de ce four. Consultez les instructions d'installation de la surface de cuisson pour les dimensions de la découpe. Voir l'étiquette sur le dessus du four pour les modèles approuvés.

Emplacement de la boîte de jonction 240 V/208 V (la boîte de jonction peut être dans une armoire adjacente)

Les raccordements au gaz et à l'électricité pour une surface de cuisson doivent être effectués à un emplacement facilement accessible à droite.

25 po (63,5 cm)

Des panneaux supplémentaires peuvent s'avérer nécessaires sur le haut ou les côtés de l'appareil si celui-ci est positionné entre des armoires existantes. Assurez-vous de bien les fixer, car ils maintiendront le four en place dans l'armoire.

22 po (55,9 cm) min. au-dessus de la plateforme de support (Doit correspondre à la hauteur du panneau inférieur)

31-1/4 po (79,4 cm) min.

24 po (61 cm)

Panneau inférieur de 4 po (10,2 cm)

Hauteur du comptoir de 34 po (86,4 cm)

IMPORTANT : Maintenez une distance minimum de 31-1/4 po entre le dessus du comptoir et la plateforme du four encastré afin qu'il n'y ait pas d'interférence entre la surface de cuisson et le four encastré (voir l'illustration).

2-1/2 po (6,4 cm) min.

Surface de cuisson

Four encastré

VUE LATÉRALE

REMARQUE : Une surface de cuisson peut être centrée sur l'un ou l'autre des fours dans l'installation côte à côte.

Dimension	Description de la dimension	Four simple de 27 po	Four simple de 30 po
A	Largeur de l'armoire	25 po (63,5 cm) min. 25 1/4 po (64,1 cm) max.	28 1/2 po (72,4 cm) min. 28 3/8 po (72,7 cm) max.
B	Hauteur de la découpe	27 3/8 po (70,2 cm) min. 28 1/4 po (71,4 cm) max.	27 1/4 po (69,2 cm) min. 27 3/4 po (69,4 cm) max.
C	Dégagement de la découpe – haut*	1 po (2,5 cm)	1 1/4 po [3,2 cm] pour PT9050, ZET1S et ZET1P)
D	Dégagement de la découpe – bas*	1 po (2,5 cm)	1 1/4 po (3,2 cm)
E	Dégagement de la découpe – bords latéraux*	1 po (2,5 cm)	1 1/2 po (1,75 cm)
F	Emplacement de la boîte de jonction	8 1/2 po (22,2 cm) max., côté droit seulement	9 1/2 po (24,1 cm) max., côté droit uniquement

* Ces mesures représentent le dégagement minimal requis pour l'installation du four encastré et ne reflètent pas les dimensions réelles du produit.

Passer à la section 4.

2 C DÉCOUPE POUR FOURS DOUBLES (2 FOURS THERMIQUES)

REMARQUE : Si l'armoire ne possède pas de façade avant et que ses côtés mesurent moins de 3/4 po (1,9 cm) d'épaisseur, ajoutez des cales d'épaisseur identiques des deux côtés pour obtenir la largeur d'ouverture nécessaire.

Emplacement de la boîte de jonction (peut également être située dans une armoire adjacente)

22 po (55,9 cm) min. jusqu'au bas de la boîte de jonction

Profondeur de découpe 23-1/2 po (59,7 cm) min.

Dim.	Description	Four double de 27 po	Four double de 30 po avec piédestal	Four double de 30 po sans piédestal
A	Largeur de l'armoire	27 po (68,6 cm)	30 po (76,2 cm)	30 po (76,2 cm)
B	Largeur de la découpe	25 po (63,5 cm) min. 25 1/4 po (64,1 cm) max.	28 1/4 po (72,4 cm) min. 28 3/8 po (72,7 cm) max.	28 3/8 po (72,7 cm) min. 28 3/8 po (72,7 cm) max.
C	Hauteur de la découpe	49 1/4 po (126,2 cm) min. 50 1/4 po (127,3 cm) max.	51 1/4 po (131,6 cm) min. 51 1/4 po (131,9 cm) max.	50 3/4 po (127,6 cm)
D	Dégagement de la découpe – bords latéraux*	1 po (2,5 cm)	1 1/4 po (1,75 cm)	1 1/4 po (1,75 cm)
E	Dégagement aux coins adjacents, aux tiroirs, aux murs, etc., lorsque la porte est ouverte	23 po (58,4 cm) min.	23 po (58,4 cm) min.	23 po (58,4 cm) min.
F	Dégagement de la découpe – haut*	1 po (2,5 cm) min.	1 po (2,5 cm) min. (1/4 po [3,2 cm] pour PT9050, ZET2S et ZET2P)	1 po (2,5 cm) min. (1/4 po [3,2 cm] pour PT9050, ZET2S et ZET2P)
G	Dégagement de la découpe – bas*	1 po (2,5 cm) min.	1 1/4 po (3,2 cm)	1 1/4 po (3,2 cm)
H	Emplacement de la boîte de jonction	8 1/2 po (22,2 cm) max., côté droit seulement	9 1/2 po (24,1 cm) max., côté droit seulement	9 1/2 po (24,1 cm) max., côté droit seulement
J	Hauteur jusqu'au bas de la boîte de jonction	44 po (111,8 cm)	47 po (119,4 cm)	47 po (119,4 cm)
K	Emplacement de découpe recommandé à partir du plancher	13 1/4 po (33,7 cm)	12 po (30,5 cm)	12 po (30,5 cm)

* Ces mesures représentent le dégagement minimal requis pour l'installation du four encastré et ne reflètent pas les dimensions réelles du produit.

Passer à la section 3.

2 D DÉCOUPE POUR FOURS COMBINÉS (AVEC FOUR À MICRO-ONDES SUPÉRIEUR)

REMARQUE : Si l'armoire ne possède pas de façade avant et que ses côtés mesurent moins de 3/4 po (1,9 cm) d'épaisseur, ajoutez des cales d'épaisseur identiques des deux côtés pour obtenir la largeur d'ouverture nécessaire.

Emplacement de la boîte de jonction (peut également être située dans une armoire adjacente)

28 po (71,1 cm) min. jusqu'au bas de la boîte de jonction

Profondeur de la découpe – 23-1/2 po (59,7 cm) minimum

Dim.	Description	Four de 27 po avec micro-ondes	Four de 30 po avec micro-ondes
A	Largeur de l'armoire	27 po (68,6 cm)	30 po (76,2 cm)
B	Largeur de la découpe	25 po (63,5 cm) min. 25 1/4 po (64,1 cm) max.	28 1/4 po (72,4 cm) min. 28 3/8 po (72,7 cm) max.
C	Hauteur de la découpe	41 1/4 po (104,5 cm) min. 41 1/4 po (104,8 cm) max.	42 3/8 po (107,2 cm) min. 42 3/8 po (107,3 cm) max.
D	Dégagement de la découpe – bords latéraux*	1 po (2,5 cm)	1 1/4 po (1,75 cm)
E	Dégagement aux coins adjacents, aux tiroirs, aux murs, etc., lorsque la porte est ouverte	23 po (58,4 cm) min.	23 po (58,4 cm)
F	Dégagement de la découpe – haut*	1 po (2,5 cm) min.	1 po (2,5 cm) min.
G	Dégagement de la découpe – bas*	1 po (2,5 cm) min.	1 1/4 po (3,2 cm)
H	Emplacement de la boîte de jonction	8 1/2 po (22,2 cm) max., côté droit uniquement	9 1/2 po (24,1 cm) max., côté droit uniquement

* Ces mesures représentent le dégagement minimal requis pour l'installation du four encastré et ne reflètent pas les dimensions réelles du produit.

Passer à la section 2E.

2 E FIXATION DU MICRO-ONDES/FOUR ADVANTIUM SUPÉRIEUR À L'ARMOIRE

Pour four double avec micro-ondes ou four Advantium supérieur. Fixez un taquet en bois sur le côté de l'armoire afin que le four supérieur puisse être fixé au taquet à l'aide des vis fournies.

Exigences concernant l'armoire (four de 27 po)

- Aucune cale (ou taquet) n'est requise lorsque l'armoire correspond à la largeur minimale exigée.
- Si l'armoire correspond à la largeur maximale, ajoutez des cales en bois pour atteindre la largeur minimale exigée.

Exigences concernant l'armoire (four de 30 po)

- Aucune cale (ou taquet) n'est requise lorsque l'armoire correspond à la largeur minimale exigée.
- Si l'armoire correspond à la largeur maximale, ajoutez des taquets en bois comme illustré.

6,375 po

27,5 po

1,5 po

3 po

Emplacements des taquets sur l'armoire de 30 po avec condition de découpe maximale

2 F DÉCOUPE POUR UNE INSTALLATION AU-DESSUS D'UN TIROIR-RÉCHAUD

REMARQUE : Installez le four seulement avec les modèles figurant sur l'étiquette située sur le dessus du four.

REMARQUE : Un dégagement supplémentaire peut être requis entre les découpes. Assurez-vous que les supports de four au-dessus du tiroir-réchaud n'obstruent pas les dégagements de profondeur et de hauteur requis à l'intérieur.

Lors de l'installation d'un tiroir-réchaud sous un four simple, double ou combiné, une prise séparée de 120 V, 60 Hz et correctement mise à la terre doit être installée. Reportez-vous aux instructions d'installation fournies avec le tiroir-réchaud pour les exigences d'installation spécifiques.

Bloc antibasculement contre le mur arrière conformément aux exigences d'installation du tiroir-réchaud

2 po (5,1 cm) min.

Conformément aux exigences du tiroir-réchaud

Passer à la section 3 pour le four encastré double avec piédestal. Sinon, passer à la section 4.

3 A DÉTERMINER QUAND UTILISER LE PIÉDESTAL (FOUR DOUBLE DE 30 po UNIQUEMENT)

UTILISATION DU PIÉDESTAL REQUISE

Lors du remplacement d'un ancien four double encastré de 30 po d'Électroménagers GE par un nouveau modèle de la même marque. Hauteur de la découpe = 51-13/16 po à 51-15/16 po. Il s'agit de notre hauteur de découpe standard.

UTILISATION DU PIÉDESTAL NON REQUISE

Lors du remplacement d'un ancien four double encastré de 30 po d'un autre fabricant (p. ex. Whirlpool) par un four double encastré de 30 po d'Électroménagers GE. Hauteur de la découpe = 50-1/4 po. Vous devrez vérifier que la découpe existante est de 50-1/4 po.

Il est recommandé d'utiliser le piédestal si le nouveau four mural double de 30 po d'Électroménagers GE est installé dans une nouvelle construction (c.-à-d. pas un remplacement).

3 B INSTALLATION DES RAILS DU PIÉDESTAL (FOURS DOUBLES DE 30 po SEULEMENT)

A. Positionnez les rails du piédestal avec la découpe supérieure vers l'avant de l'ouverture et les brides inférieures, pointant vers le centre. Positionnez chaque rail sur le plancher ou le coulisseau de l'armoire, légèrement vers l'intérieur à partir du côté de l'armoire. Assurez-vous que l'avant d'aucun des rails ne dépasse l'avant de l'ouverture de l'armoire.

B. Percez des avant-trous et fixez les rails au coulisseau ou au bas de l'armoire avec la quincaillerie fournie.

Vis de fixation

Brides vers le centre de la découpe

Découpe supérieure vers l'avant

4 A RETRAIT DE LA PORTE (RECOMMANDÉ POUR LES FOURS THERMIQUES)

AVERTISSEMENT

La porte du four à micro-ondes d'un four combiné ne doit jamais être retirée, sauf par un technicien certifié.

REMARQUE : Le retrait de la porte n'est pas une exigence, mais cela facilite l'installation du four.

Pour enlever la porte :

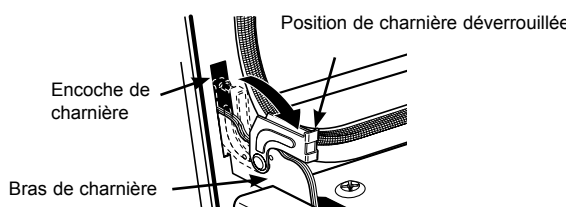
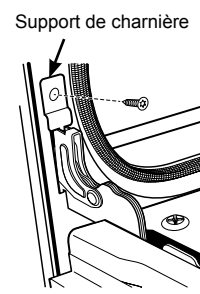
- Ouvrez la porte du four aussi grand que possible.
- Retirez le support de charnière (le cas échéant) du cadre avant et mettez-le de côté. Le support de charnière (le cas échéant) doit être remplacé pour assurer le bon fonctionnement de la porte lorsque cette dernière est réinstallée.
- Poussez les deux verrous de charnière vers le cadre de la porte en position déverrouillée. Cela pourrait demander l'utilisation d'un tournevis à lame plate.

NE SOULEVEZ PAS LA PORTE PAR SA POIGNÉE!

- Placez les mains des deux côtés de la porte et fermez-la en position de retrait (environ 1 à 2 po [2,5 à 5,1 cm] de la position fermée).

- Soulevez et retirez la porte jusqu'à ce que les bras de charnière soient dégagés de leur encoche.

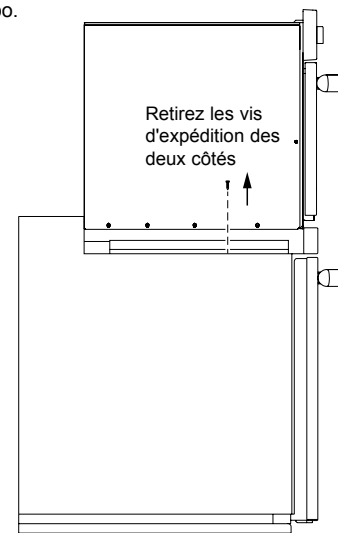
REMARQUE : La porte du four est très lourde. Assurez-vous de bien tenir la porte avant de la soulever pour la faire sortir des charnières. Faites attention une fois que la porte a été élevée. Ne posez pas la porte par terre sur sa poignée. Cela pourrait la bosseler ou l'égratigner.



La charnière sort de son encoche

4 B DÉMONTAGE DES VIS D'EXPÉDITION (POUR FOUR COMBINÉ DE 30 po SEULEMENT)

Les vis d'expédition doivent être retirées comme indiqué sur l'illustration. Vous aurez besoin d'un tournevis à douille de 1/4 po.



5 EXIGENCES ÉLECTRIQUES

AVERTISSEMENT

Cet appareil doit être correctement mis à la terre.

AVERTISSEMENT

Pour prévenir les risques d'incendie ou de décharge électrique, n'utilisez pas de rallonge électrique avec cet appareil.

AVERTISSEMENT

Pour prévenir le risque de choc électrique, enlevez le fusible ou déclenchez le disjoncteur au panneau de distribution électrique avant d'entreprendre l'installation.

AVERTISSEMENT

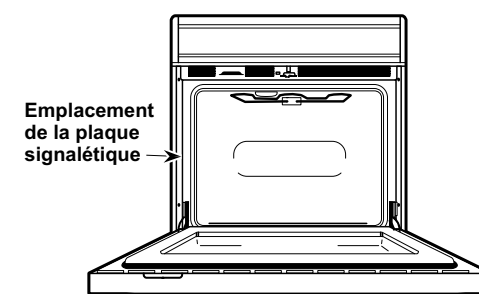
Un raccordement incorrect du câblage en aluminium du domicile à des fils en cuivre présente un risque de nature électrique et peut entraîner un incendie. N'utilisez que des connecteurs conçus pour le raccordement du cuivre à l'aluminium et suivez attentivement les instructions de leur fabricant. Nous vous recommandons d'avoir recours aux services d'un électricien qualifié pour effectuer le câblage électrique et le raccordement de votre électroménager. Après l'installation, demandez à l'électricien de vous montrer comment couper l'alimentation de l'appareil. Vous devez utiliser un système électrique monophasé de 120/208 V CA ou de 120/240 V CA et 60 Hz. Lorsque le câblage de la maison est en aluminium, utilisez des connecteurs correctement installés et homologués pour une utilisation avec un câblage en aluminium.

Depuis le 1^{er} janvier 1996, le Code national de l'électricité exige que chaque nouvelle construction (non existante) ait recours à un raccordement à quatre conducteurs pour un four électrique. Lorsque vous installez un four électrique dans une nouvelle construction, une maison mobile, un véhicule de plaisance ou dans un endroit où les codes locaux interdisent la mise à la terre par le biais d'un conducteur neutre, reportez-vous à la section sur le raccordement à un circuit de dérivation à quatre conducteurs.

Renseignez-vous auprès des services publics locaux pour savoir quels sont les codes électriques applicables dans votre région. Ne pas raccorder votre four conformément aux codes en vigueur pourrait se révéler dangereux. En l'absence de codes locaux, votre four devrait être raccorder et protégé par un fusible, conformément à la dernière édition du Code national de l'électricité (NFPA 70) disponible auprès de la National Fire Protection Association.

5 EXIGENCES ÉLECTRIQUES (suite)

Cet appareil est conçu pour être alimenté à une tension et une fréquence appropriées, et doit être branché à un circuit de dérivation individuel correctement mis à la terre et protégé par un disjoncteur ou un fusible temporisé. Reportez-vous à la plaque signalétique sur le cadre du four pour déterminer les valeurs nominales du produit.



Emplacement de la plaque signalétique

La plaque signalétique est située sur la garniture latérale du four.

Utilisez le tableau ci-dessous pour déterminer la protection minimale recommandée pour le circuit indépendant.

Puissance nominale en kW à 240 V	Puissance nominale en kW à 208 V	Puissance du circuit recommandé (indépendant)
≤ 4,8 kW	≤ 4,1 kW	20 A
4,9 à 7,2 kW	4,2 à 6,2 kW	30 A
7,3 à 9,6 kW	6,3 à 8,3 kW	40 A
9,7 à 12,0 kW	8,4 à 10,4 kW	50 A

NE RACCOURCISSEZ PAS le câble souple. Le collier de serrage du câble doit être bien fixé à la boîte de jonction et le câble souple doit être fermement attaché au collier de serrage. Si le câble souple ne rentre pas dans le collier de serrage, n'installez pas le four tant que vous ne disposez pas d'un collier de serrage de dimension appropriée.

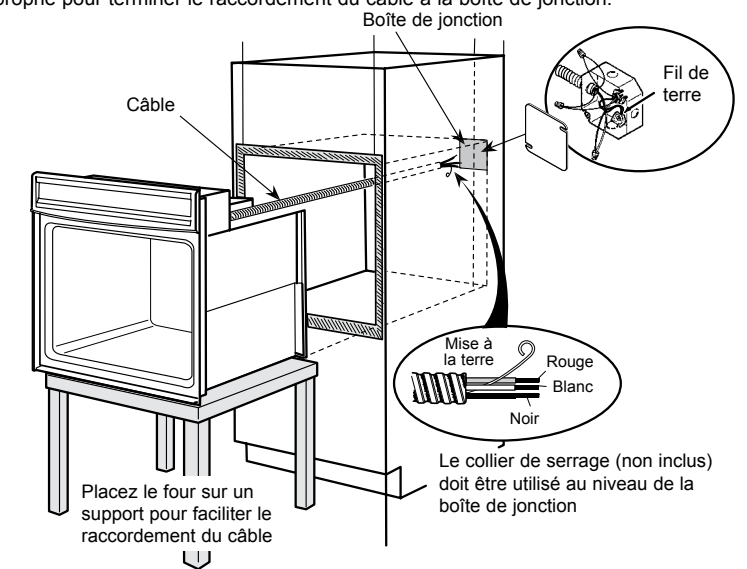
Les 3 fils fournis avec cet appareil sont homologués pour un raccordement à des systèmes électriques résidentiels de calibre supérieur. L'isolation de ces 3 fils est certifiée pour une utilisation à des températures très supérieures à la température nominale d'un système électrique résidentiel. La capacité de transport de courant actuelle du conducteur dépend du calibre du câble et de la température nominale de son isolation.

6 RACCORDEMENTS ÉLECTRIQUES

AVERTISSEMENT

Coupez le courant au tableau de distribution et verrouillez le disjoncteur pour éviter que le courant ne soit remis accidentellement. S'il n'est pas possible de bloquer le disjoncteur, posez un avertissement bien visible, comme une étiquette, sur le tableau de distribution.

Placez le four sur une table ou sur une plateforme à la hauteur de l'ouverture d'installation. Pour un four simple, la plateforme doit pouvoir supporter un poids de 220 lb (99 kg); pour un four double ou combiné, la plateforme doit pouvoir supporter un poids de 400 lb (181 kg). Raccordez le câble souple à la boîte de jonction électrique comme illustré ci-dessous*. Positionnez le câble de manière à ce qu'il se trouve derrière l'appareil en formant une boucle lorsque le four est installé**. Vous devez acheter un collier de serrage approprié pour terminer le raccordement du câble à la boîte de jonction.



* Les fours sont équipés d'un câble de 40 po ou de 54 po de long. Si un câble plus long est souhaité, il peut y en avoir un disponible pour votre modèle. Pour vérifier la disponibilité des pièces ou en commander, appelez Électroménagers GE au 1-800-GE-CARES.

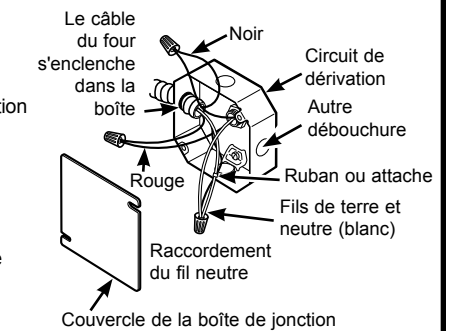
** Four combiné avec four à micro-ondes supérieur : Il est recommandé d'installer le câble à travers le côté de la boîte de jonction comme indiqué dans l'illustration ci-dessus.

7 RACCORDEMENT À UN CIRCUIT DE DÉRIVATION À TROIS CONDUCTEURS

REMARQUE : Si les fils de la résidence sont des conducteurs en aluminium, voir les **AVERTISSEMENTS** dans la section 5 sur les exigences électriques.

Lorsque vous faites un raccordement à un circuit de dérivation à trois conducteurs, si les codes locaux le permettent :

- À l'aide d'un capuchon de connexion, raccordez le conducteur de terre du four avec le fil neutre (blanc) au fil neutre du circuit de dérivation (blanc ou gris).
- À l'aide de capuchons de connexion, raccordez les fils rouge et noir du four aux fils rouge et noir du circuit de dérivation, conformément aux codes locaux.
- Installez un collier de détenteur approprié.
- Installez le couvercle de la boîte de jonction.

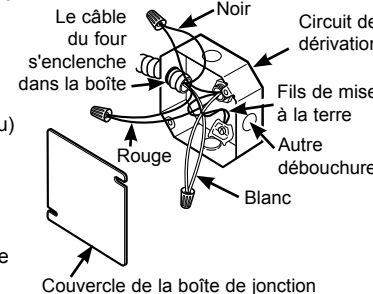


8 RACCORDEMENT À UN CIRCUIT DE DÉRIVATION À QUATRE CONDUCTEURS

REMARQUE : Si les fils de la résidence sont des conducteurs en aluminium, voir les **AVERTISSEMENTS** dans la section 5 sur les exigences électriques.

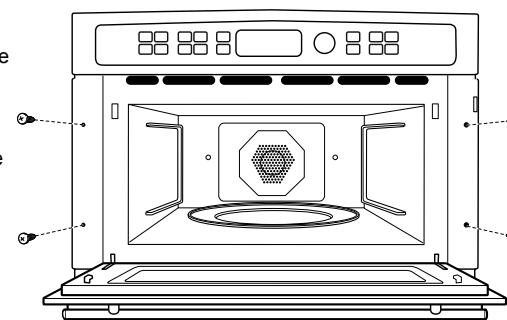
Lorsque vous faites un raccordement à un circuit de dérivation à quatre conducteurs, si les codes locaux le permettent :

- Détachez le fil neutre (blanc) des autres fils. Au besoin, coupez le fil neutre (blanc) et dénudez-le à nouveau pour exposer la bonne longueur de conducteur.
- Attachez le fil de terre de l'appareil (fil vert ou fil de cuivre nu) conformément aux codes locaux.
- À l'aide d'un capuchon de connexion, raccordez le fil neutre (blanc) du four au fil neutre (blanc ou gris) du circuit de dérivation, conformément aux codes locaux.
- À l'aide de capuchons de connexion, raccordez les fils rouge et noir du four aux fils rouge et noir du circuit de dérivation, conformément aux codes locaux.
- Installez un collier de détenteur approprié.
- Installez le couvercle de la boîte de jonction.



10 A INSTALLER LES VIS DE MONTAGE (FOUR SUPÉRIEUR SUR LES FOURS COMBINÉS)

- Faites glisser le four dans l'ouverture de manière à ce que les brides latérales et le tableau de commande soient contre le cadre de l'armoire. Assurez-vous que le four est centré dans l'ouverture.
- Ouvrez la porte, placez le plateau tournant dans le four et vérifiez que le plateau est de niveau.
- Percez des avant-trous à travers les brides latérales.
- Vissez les vis de couleur assortie dans les brides latérales. Nous recommandons de serrer les vis à la main.



10 B INSTALLER LES VIS DE MONTAGE (FOURS THERMIQUES)

AVERTISSEMENT

Des vis de montage doivent être utilisées. Si cette consigne n'est pas respectée, le four peut tomber de l'armoire et provoquer de graves blessures.

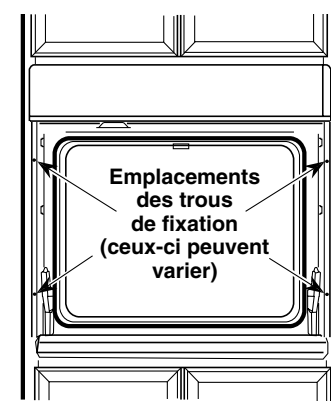
REMARQUE : Lors des étapes de l'installation du four, assurez-vous qu'aucun dommage n'est fait au joint du four qui tapisse le bord de la cavité du four.

REMARQUE : Avant de percer les avant-trous, veillez à ce que le four soit poussé aussi loin que possible dans l'ouverture et centré.

REMARQUE : Si l'armoire est en panneaux de particules, vous devez utiliser des vis pour panneaux de particules n° 8 x 3/4 po. Vous pouvez les trouver dans n'importe quelle quincaillerie.

- Percez à travers les trous de fixation (supérieurs et inférieurs) de la garniture latérale des trous pour les vis de montage n° 8 fournies.

- Fixez le four à l'armoire à l'aide des vis fournies.

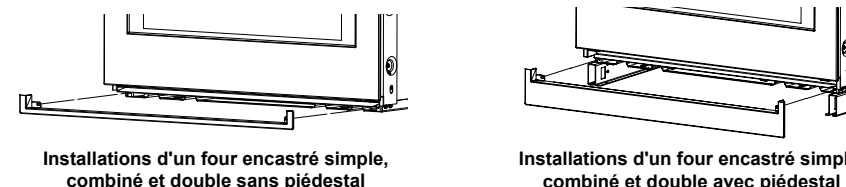


Les vis doivent être à au moins 1/4 po (6 mm) po de l'avant de la découpe.

Certains modèles sont munis de poignées personnalisées. Veuillez suivre les instructions fournies avec les poignées pour une installation correcte.

11 INSTALLATION DE LA GARNITURE INFÉRIÈRE

Une fois le four installé, fixez la garniture inférieure à travers ses trous de montage dans la bride verticale avant à l'aide des deux vis de garniture fournies. Le rebord inférieur de la garniture doit être placé sous la bride du conduit d'air inférieur.



Installations d'un four encastré simple, combiné et double sans piedestal

Installations d'un four encastré simple, combiné et double avec piedestal

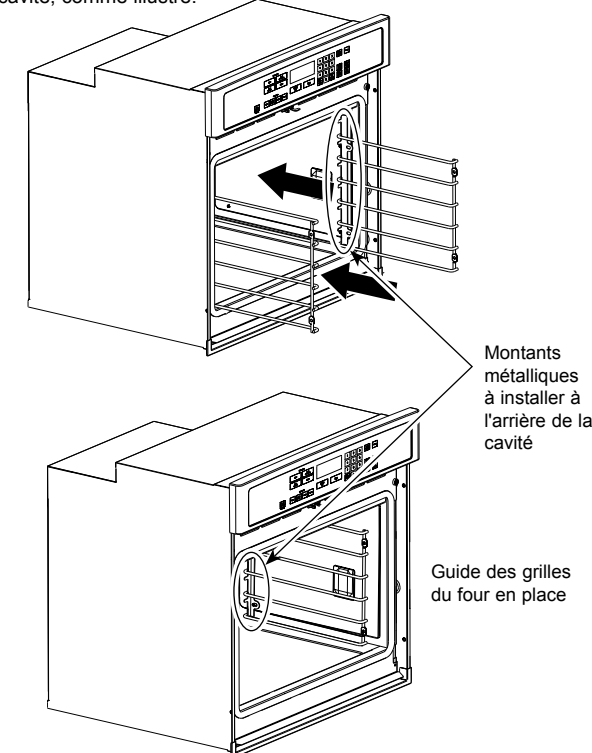
IMPORTANT : Si le four est un jour retiré de l'armoire ou s'il doit être sorti pour être réparé, il faut d'abord retirer la garniture inférieure pour éviter de l'endommager.

12 INSTALLATION DU GUIDE DES GRILLES DU FOUR (SI APPLICABLE)

- Localisez le matériel de montage du guide des grilles du four inclus.

- Placez les guides de grille du four sur les montants de la paroi de la cavité avec les montants métalliques vers l'arrière de la cavité, comme illustré.

- Installez les guides à l'aide des 8 écrous de montage fournis.



Montants métalliques à installer à l'arrière de la cavité

Guide des grilles du four en place

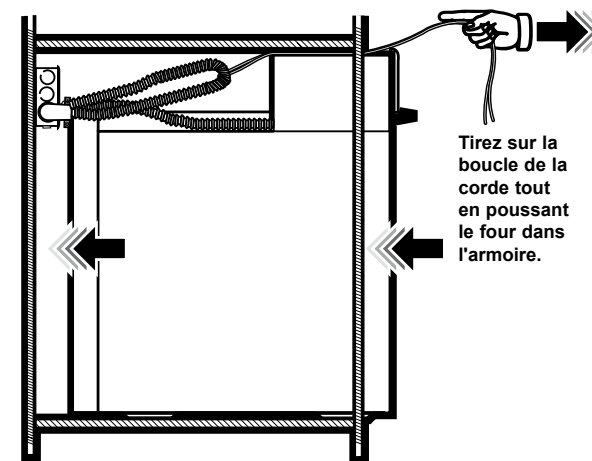
9 GLISSER LE FOUR DANS L'OUVERTURE

- Avec une corde de 36 po (91 cm), faites une boucle (**ne pas nouer**) autour du câble avant de faire glisser le four dans l'ouverture. Cela évitera que le câble ne tombe derrière le four.

- Soulevez le four dans la découpe de l'armoire en utilisant l'ouverture du four pour le tenir. Poussez doucement en appuyant sur le cadre avant du four. Ne poussez pas en appuyant sur les rebords extérieurs.

- Lorsque vous faites glisser le four vers l'arrière, tirez sur la corde pour que le câble repose sur le dessus du four en une boucle naturelle. Pour un four combiné, tirez le câble de sorte qu'il se trouve au-dessus du four inférieur sur le côté gauche (vu de l'avant).

- Lorsque vous êtes sûr que le câble n'obstrue pas le passage du four, faites glisser ce dernier de 3/4 dans l'ouverture. Retirez la corde en tirant sur l'une de ses extrémités.



Tirez sur la boucle de la corde tout en poussant le four dans l'armoire.