



36" Professional Dual Fuel Range

CDR365-SS

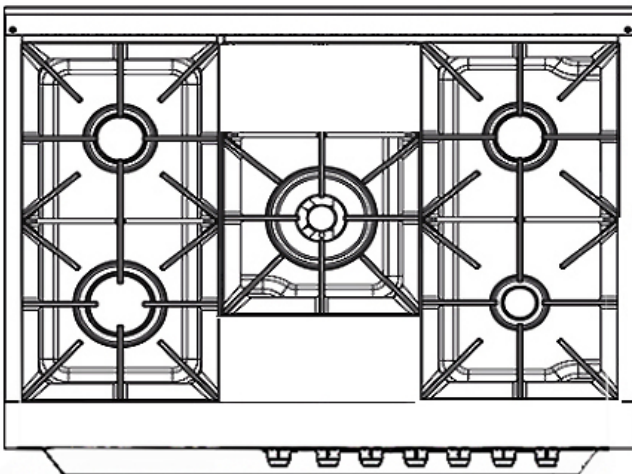


KEY FEATURES

- ✓ Stainless Steel color/finish
- ✓ Electronic Ignition
- ✓ Sturdy Cast Iron Cooking Grates
- ✓ Convection Oven with Broiler
- ✓ 4.3 Cu. Ft. Convection Oven
- ✓ Front Controls with Timer
- ✓ Manual Clean Oven
- ✓ 2 x Commercial Racks
- ✓ 7 Oven Cook Modes
- ✓ Storage Drawer
- ✓ NG or LPG Gas Source (Kit Incl.)

WARRANTY

- ✓ 1 Year Limited; Parts & Labour



SPECIFICATIONS

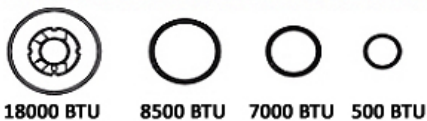
- ✓ 1 x 18k BTU Power Burner
- ✓ 2 x 7k BTU Burners
- ✓ 1 x 8.5k BTU Burner
- ✓ 500 BTU Simmer Burner
- ✓ 240 Volts, 60 Hz, 15 Amps

DIMENSIONS

W x D* x H: 36" x 25" x 35.4"

*Depth 27.7" to front of handle

*Adjustable 2" leveling legs



Caloric™ Specifications and product materials subject to change without notice.

** Installation & Warranty: Please consult the product's Use & Care Manual or Caloric™ website for installation instructions & statement of limited warranty. For assistance with Caloric™ accessories & parts please visit www.caloricappliances.ca or call 1-844-455-3474.

To learn more about Caloric™ products, please visit caloricappliances.ca

© Caloric™ 2020. All rights reserved. Caloric™ is a registered trademark.

