



# CVI34-SS

## 36 inch 600 CFM Pro Range Hood Insert

Introducing the Caloric Pro Range Hood Insert: the perfect addition to your stunning, cabinet adorned kitchen.

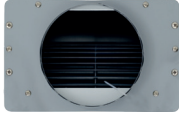

This powerful hood insert offers 600 CFM of power that effectively removes smoke, odours, and humidity from your kitchen. It operates with 3 speeds, and quietly, at 6.5 sones at maximum speed. It is also equipped with LED lighting for bright and efficient illumination of your cooking space and stainless-steel baffle filters (which are dishwasher safe). Its push-button control enables easy operation.

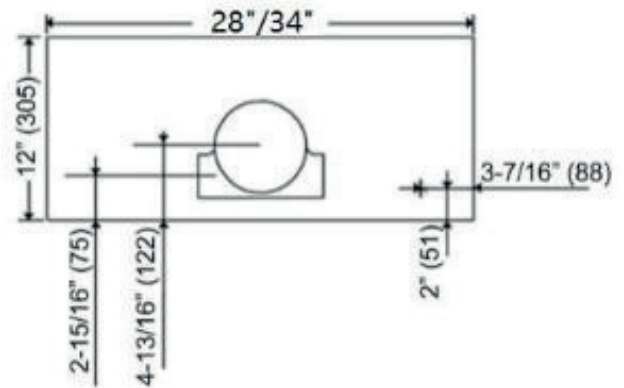
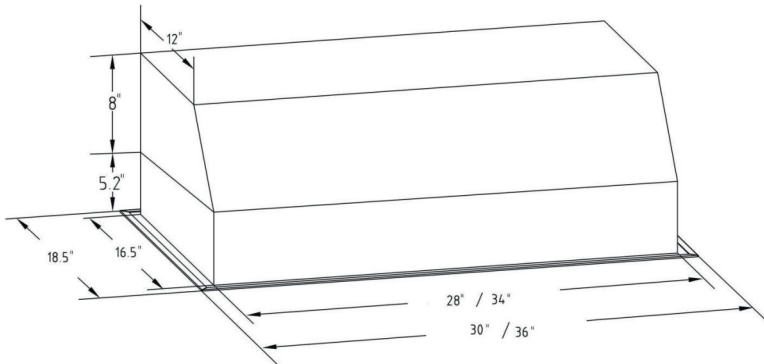
It can be installed easily with its top venting 6" round exhaust or a 3 1/4 x 10" rectangular exhaust. An optional recirculating kit is available to assist in recirculating the air in your kitchen.

Furthermore, this product comes with an impressive 1-year parts and labour warranty that enables you to rest easy and enjoy the perfect combination of power, convenience, and reliability with this Hood Insert.



Features	Benefits	
600 CFM, 3 Speed, Powerful Air Extraction Motor	Efficient, adjustable, ventilation that effectively removes smoke, odours, and humidity from your kitchen.	
LED Lighting	Bright and efficient to illuminate your kitchen	
0.7 Sones (Min) - 6.5 Sones (Max)	Runs quietly - won't disturb your kitchen activities.	
Stainless Steel Baffle Filters	Easy to clean and maintain - simply wash to keep your hood insert in perfect condition.	
Push Button Control	Simple and intuitive controls for easy operation	
110V/60Hz	Versatile and compatible with most kitchen power supplies	

Features	Benefits	
<b>Top Venting</b>	Easy to install - fits almost any kitchen, and provides efficient performance	
<b>6" Round Exhaust or 3 1/4 x10" Rectangular Exhaust</b>	Perfect for installation flexibility	
<b>1 Year Parts and Labour Warranty</b>	Peace of mind with guaranteed quality and performance	
<b>Premium Stainless Steel - Type 201.</b>	Stronger and thicker stainless steel is more corrosion resistant and non-magnetic.	
<b>Optional Recirculating Kit</b>	Ability to recirculate air in the kitchen	
<b>Optional Plasma Filtration Kit</b>	Ability to recirculate and clean the air in your kitchen without costly filter replacements	



Weights & Dimensions Specification	
<b>Width</b>	36"
<b>Depth</b>	18 1/8"
<b>Height</b>	12 1/4"
<b>Weight</b>	45.9 lbs
<b>Carton</b>	38" x 17" x 21"



**UPC code**  
**628451852223**

**844-455-3474 | [info@caloricappliances.ca](mailto:info@caloricappliances.ca)**

2023 In Canada, Caloric™ is a registered trademark of J.A.K. North America Inc.  
Specifications are for planning purposes only and are subject to change, Refer to installation instructions.