



CVP1030SS


30 Inch 900 CFM Pro Undercabinet Range Hood





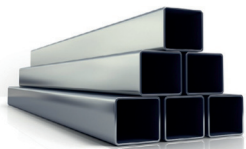
This Caloric Pro Undercabinet Hood is an extra powerful addition to any kitchen. It features a potent 900 CFM motor that creates a powerful and effective suction to remove odors and smoke.

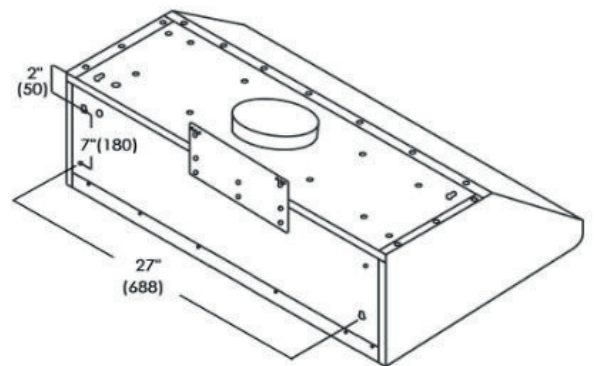
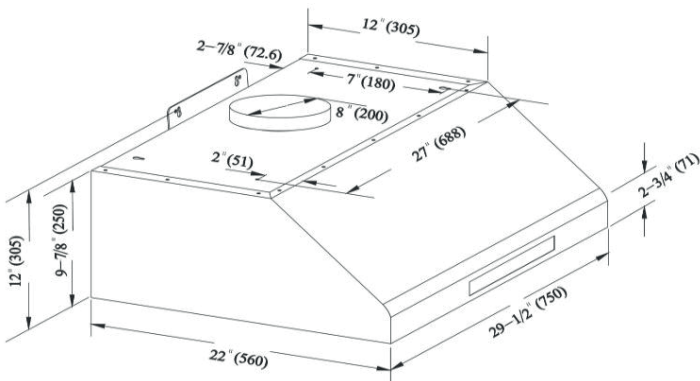
With 4 speed settings to provide flexibility, LED lighting for illuminating your cooking area especially well, and washable stainless-steel baffle filters to help keep your kitchen air clean, this hood operates at a maximum of 7.5 sones making the sound level quite acceptable in your kitchen. It also has an electronic touch control system with remote, and is top vented with either a 8" round exhaustor a 3 1/4 x 12" rectangular exhaust to provide flexible installation in any kitchen.

All of this is backed by a 1-year parts and labour warranty, giving you total peace of mind with a long lasting and reliable ventilation system.



Features	Benefits	
900 CFM Motor With 4 Speed Settings	Creates an efficient suction with 4 speed flexibility to quickly remove smoke and odors given the cooking situation.	
LED Lighting	Powerful, bright, illuminating light to highlight your cooking area in the kitchen	
Stainless Steel Baffle Filters	Easy-to-maintain, durable and washable.	
Electronic Touch Controls with Remote access	Easily and conveniently control and adjust settings from anywhere in the kitchen	
Sound levels: 1.5 Sone (Min) – 7.5 Sones (Max)	Quiet operation won't disturb your home	

Features	Benefits	
110V/60Hz	Compatible with the standard household electrical systems	
Top Venting - 8" Round or 3 1/4" x 12" Rectangular Exhaust	A robust exhaust system designed for power and flexibility. Easily fits in any kitchen design	
1 Year Parts and Labour Warranty	Peace of mind with a reliable guarantee on parts and labour	
Optional Plasma Filtration Kit	Ability to recirculate and clean the air in your kitchen without costly filter replacements	
Premium Stainless Steel - Type 201	Stronger and thicker stainless steel is more corrosion resistant and non magnetic	



Weights & Dimensions Specification

Width	30"
Depth	22"
Height	9.8"
Weight	55.12 lbs
Carton	33" x 18" x 26"



UPC code
628451852247

844-455-3474 | info@caloricappliances.ca

2023 In Canada, Caloric™ is a registered trademark of J.A.K. North America Inc.
Specifications are for planning purposes only and are subject to change, Refer to installation instructions.