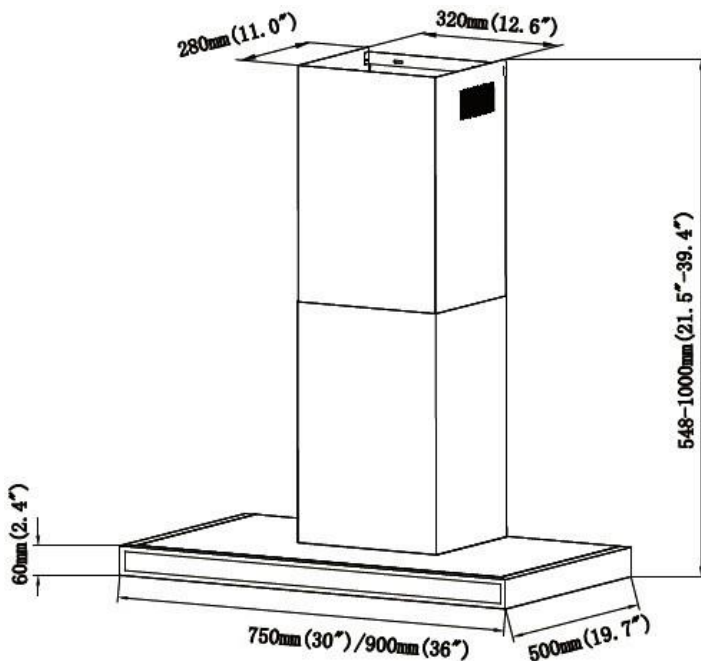




## 30" / 36" Wall Mounted Hood

CVW102-30SS / CVW102-36SS



### KEY FEATURES

- ✓ Available in 30" or 36" widths
- ✓ High quality stainless steel
- ✓ Powerful 600 CFM Blower
- ✓ 3 Speed Levels
- ✓ Electronic Soft Touch Controls
- ✓ LED Display Lights
- ✓ SS Baffle Filters
- ✓ Ducted or Recirculating option (accessory kit sold separately)

### WARRANTY

- ✓ 1 Year Limited; Parts & Labour

### PARTS & ACCESSORIES



**Recirculating Kit  
CP120**  
Converts to  
Recirculating Mode



**Recirculating Filters  
PJ2655**  
For CP120  
Recirculating Kit

### DIMENSIONS

W x D x H: 30" x 19.7" x 21.5" -39.4"

W x D x H: 36" x 19.7" x 21.3" -39.4"

### SPECIFICATIONS

- ✓ 6" Duct Transition (included)
- ✓ Vertical Air Discharge
- ✓ 120v Power Cord (included)

Caloric™ Specifications and product materials subject to change without notice.

\*\* Installation & Warranty: Please consult the product's Use & Care Manual or Caloric™ website for installation instructions & statement of limited warranty. For assistance with Caloric™ accessories & parts please visit [www.caloricappliances.ca](http://www.caloricappliances.ca) or call 1-844-455-3474.

To learn more about Caloric™ products, please visit [www.caloricappliances.ca](http://www.caloricappliances.ca)

© Caloric™ 2020. All rights reserved. Caloric™ is a registered trademark.

