

CY917R | CLASSIC Collection

Cyclone[®]
Breathe Better



Under Mount

Cyclone is proud to introduce the sleek and tasteful CY917. Enjoy a modern style fan without the fuss of a renovation. Features a single, centered fan that boasts 300 CFM of power. Elegant and machine-washable mesh filters are a breeze to remove and replace. A powerful machine in a small frame, well-suited to any size living space.



Includes



3 Speed Push
Button Control Panel



Dishwasher
Safe Filters



Long-lasting
LED Light



Grease
Ring

Model	Colour	Ducting	Filters	Size	CFM
CY917R24W	White	6"	Mesh	24"	300
CY917R24B	Black	6"	Mesh	24"	300
CY917R24SS	Stainless Steel	6"	Mesh	24"	300
CY917R30W	White	6"	Mesh	30"	300
CY917R30B	Black	6"	Mesh	30"	300
CY917R30SS	Stainless Steel	6"	Mesh	30"	300
CY917R36SS	Stainless Steel	6"	Mesh	36"	300

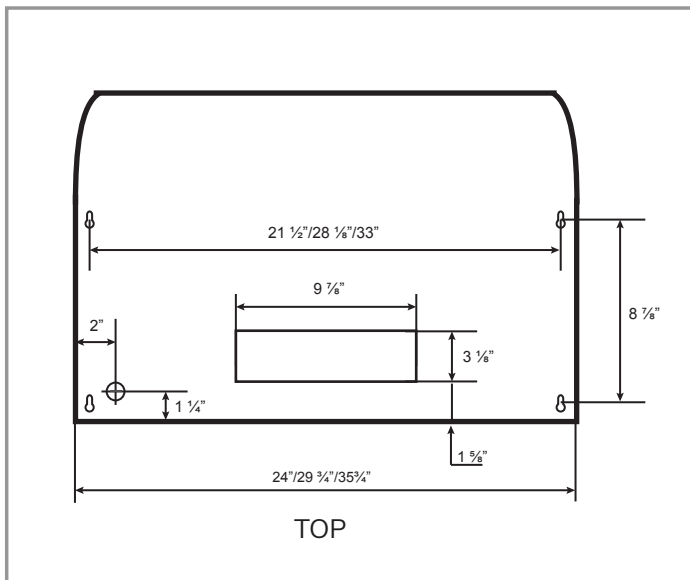
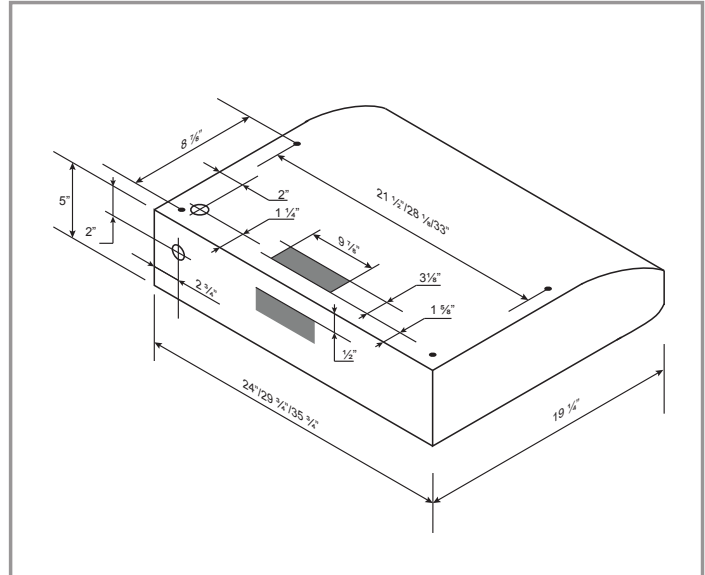
Cyclone Range Hoods Inc.

1361 Huntingwood Drive, Unit 16. Toronto, ON. M1S 3J1. Canada.

Toll Free: 1-888-293-5662 Tel: (416) 293-0933 Fax: (416) 293-4793 Website: www.CycloneRangeHoods.com

Features

- Undermount range hood
- 6" round duct adapter
- Non-stick aluminum fan blades
- 3 speed push button control
- 2 LED lights (2 x 1.5W)
- Dishwasher-safe aluminum mesh filters
- Hard-wire connection



Options

- Widths: 24", 30", 36"
- Finishes: White
Black
Stainless Steel

Specifications

- | | | |
|---|--|---|
| <ul style="list-style-type: none"> ▪ Air Flow Volume: 300 CFM ▪ Electrical Connection: 120V/60Hz ▪ Power Consumption: 100 Watts ▪ Current: 2.5 Amps ▪ Fan Speed: 1350 RPM ▪ Fan Type: Axial Turbo | <ul style="list-style-type: none"> ▪ Finishes: White, Black, Stainless Steel ▪ Ducting: 6" Round ▪ Dimensions: Width: 24", 30", 36"
Height: 6"
Depth: 19^{1/4}" | <ul style="list-style-type: none"> ▪ Noise Level: Min. 2 Sones
Max. 4 Sones ▪ Knock-out: 3^{1/4}" x 7^{7/8}"
(Top/Rear) |
|---|--|---|

