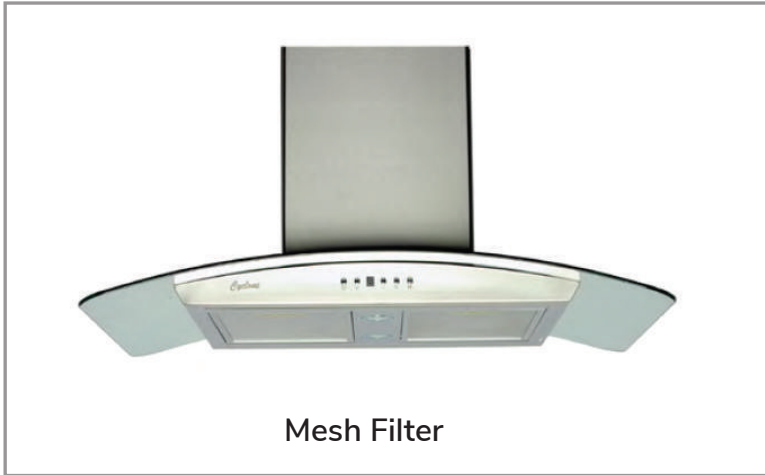


SC(B)301 | ALITO Collection



Wall Mount

A very attractive exhaust fan, the SC(B)301 is the perfect balance of substance and style. The arched glass canopy frames a classic design giving it a moder appeal. The hood features a three-speed digital control panel, two LED light, two mesh or baffle filters and a quiet, efficient motor. Fitted with a time-delay OFF feature up to nine minutes.

Green Features



3 Speed Push Button Control Panel



Dishwasher Safe Filters



Long-Lasting LED Light



Time-Delay OFF Feature



Model	Colour	Ducting	Filters	Size	CFM
SC30130	Stainless Steel	6"	Mesh	30"	300
SC30136	Stainless Steel	6"	Mesh	36"	300
SCB30130	Stainless Steel	6"	Baffle	30"	300
SCB30136	Stainless Steel	6"	Baffle	36"	300

Cyclone Range Hoods Inc.

1361 Huntingwood Drive, Unit 16. Toronto, ON. M1S 3J1. Canada.

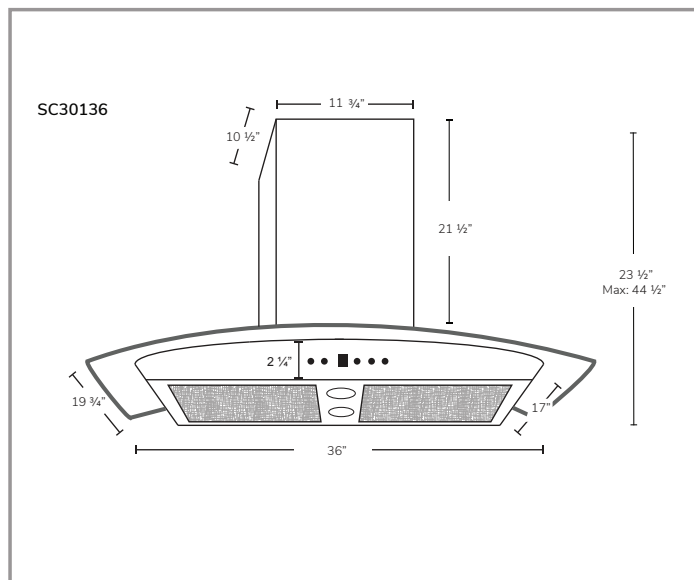
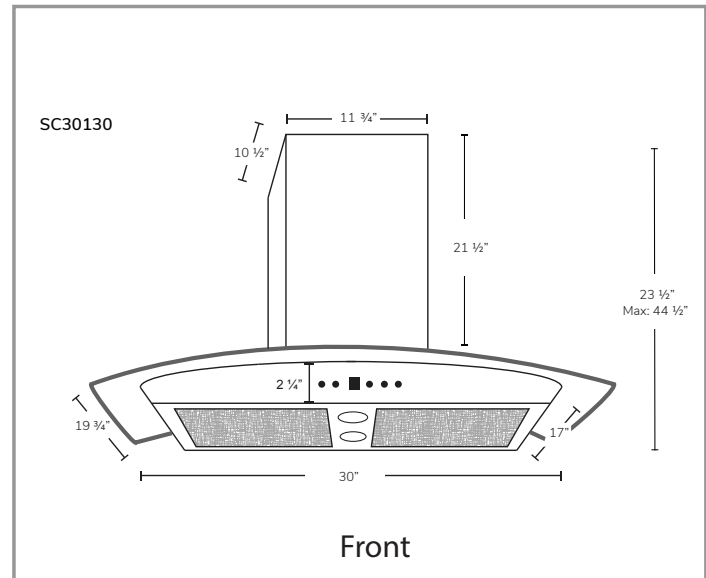
Toll Free: 1-888-293-5662 Tel: (416) 293-0933 Fax: (416) 293-4793 Website: www.CycloneRangeHoods.com

SC(B)301 | ALITO Collection



Features

- Wall mount range hood
- 6" round duct adapter
- Non-stick aluminum fan blades
- 3 speed push button control
- 2 LED lights (2 x 1.4W)
- Dishwasher-safe quick release mesh or baffle filters
- Standard chimney fits up to 9 ft. ceiling
- Up to 9 minute time-delay OFF feature
- Plug-in connection



Options

- **Filters:**
 - SC301 - Quick Release Aluminum Mesh Filters
 - SCB301 - Quick Release Stainless Steel Baffle Filters
- **Chimney Flues:**
 - Short (7 ft. - 8 ft.. B1.CH16)
 - Standard (8 ft. - 9 ft.. B1.CH22)
 - Extended (9 ft. - 11 ft. B1.CH32)
- **Widths: 30", 36"**

Specifications

- Air Flow Volume: 300 CFM
- Electrical Connection: 120V/60Hz
- Power Consumption: 180Watts
- Current: 1.8 Amps
- Fan Speed: 1350 RPM
- Fan Type: Centrifugal Blower
- Finishes: Stainless Steel
- Ducting: 6" Round
- Dimensions: Width: 30", 36"
Height: 44^{1/2}"
Depth: 19^{3/4}"
- Noise Level: Min. 2 Sones
Max. 4 Sones

