

# SC(B)500 | ALITO Collection



## Wall Mount

Strong and sturdy with attractive lines and an imposing frame, the SC(B)500 is fitted with time-delay OFF feature up to nine minutes, 550 CFM fan, bright LED lights and a digital three-speed push button control panel.

## Green Features



3 Speed Push Button Control Panel



Dishwasher Safe Filters



Long-Lasting LED Light



Time-Delay OFF Feature



Model	Colour	Ducting	Filters	Size	CFM
SC50024	Stainless Steel	6"	Mesh	24"	550
SC50030	Stainless Steel	6"	Mesh	30"	550
SC50036	Stainless Steel	6"	Mesh	36"	550
SCB50024	Stainless Steel	6"	Baffle	24"	550
SCB50030	Stainless Steel	6"	Baffle	30"	550
SCB50036	Stainless Steel	6"	Baffle	36"	550

Cyclone Range Hoods Inc.

1361 Huntingwood Drive, Unit 16. Toronto, ON. M1S 3J1. Canada.

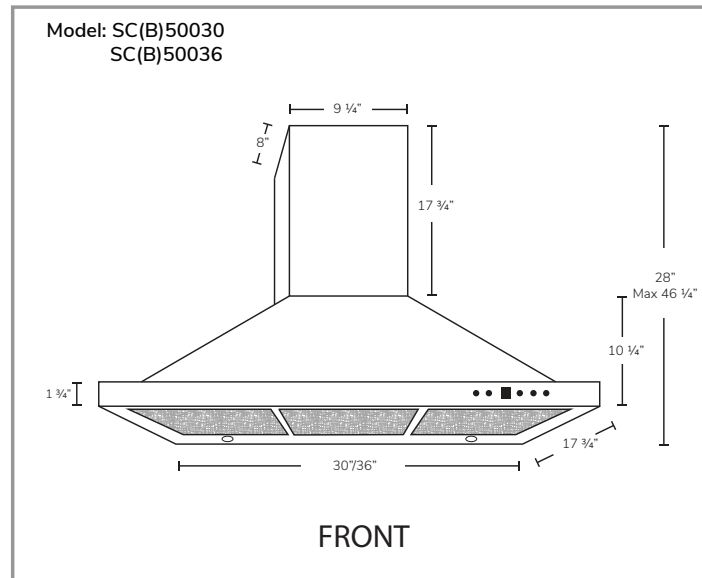
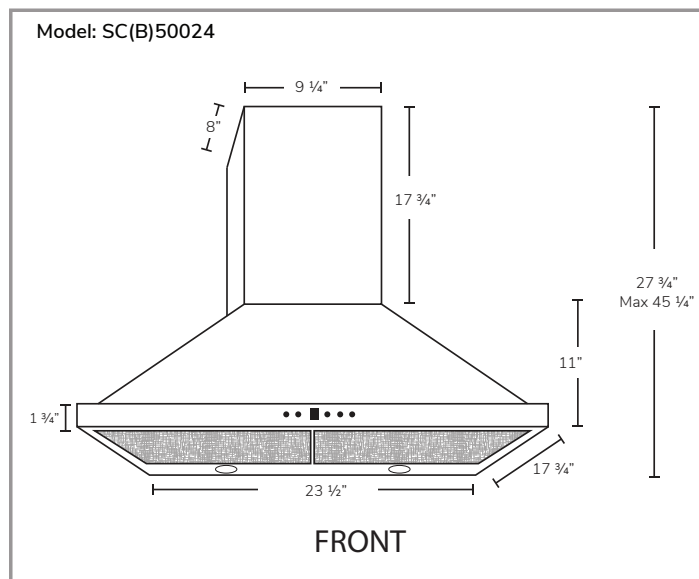
Toll Free: 1-888-293-5662 Tel: (416) 293-0933 Fax: (416) 293-4793 Website: [www.CycloneRangeHoods.com](http://www.CycloneRangeHoods.com)

# SC(B)500 | ALITO Collection

**Cyclone**<sup>®</sup>  
Breathe Better

## Features

- Wall mount range hood
- 6" round duct adapter
- Non-stick aluminum fan blades
- 3 speed push button control
- 2 LED lights (2 x 1.4W)
- Dishwasher-safe mesh or baffle filters
- Standard chimney fits up to 9 ft. ceiling
- Up to 9 minute time-delay OFF feature
- Plug-in connection



## Options

- **Filters:** SC500 - Quick Release Aluminum Mesh Filters  
SCB500 - Quick Release Stainless Steel Baffle Filters
- **Available Chimney Flues:**  
Short (7 ft. - 8 ft.. A1.CH10)  
Standard (8 ft. - 9 ft.. A1.CH18)  
Extended (9 ft. - 11 ft. A1.CH30)
- **Widths:** 24", 30", 36"

## Specifications

- Air Flow Volume: 550 CFM
- Electrical Connection: 120V/60Hz
- Power Consumption: 210 Watts
- Current: 2.5 Amps
- Fan Speed: 1600RPM
- Fan Type: Centrifugal Blower
- Finishes: Stainless Steel
- Ducting: 6" Round
- Dimensions: Width: 24", 30", 36"  
Height: 46"  
Depth: 18"
- Noise Level: Min. 2 Sones  
Max. 6 Sones



Toronto • Vancouver • Boston

[www.CycloneRangeHoods.com](http://www.CycloneRangeHoods.com)