

# SC(B)502 | ALITO Collection



Mesh Filter



Baffle Filter

## Wall Mount

The SC(B)502 embodies the qualities and characteristics that distinguish Cyclone from the competition. This handsome and tasteful range hood is a wonderful compliment to modern and upscale home decor. Featuring button-controlled LED lights and three-speed fans, the attractive glass canopy broadly frames the filters and blocks smoke and grease from staining the vent shaft. Quiet and powerful, the fan draws air out of your kitchen with minimal sound and is also fitted with a time-delay OFF feature up to nine minutes.

## Green Features



3 Speed Push Button Control Panel



Dishwasher Safe Filters



Long-Lasting LED Light



Time-Delay OFF Feature



Model	Colour	Ducting	Filters	Size	CFM
SC50230	Stainless Steel	6"	Mesh	30"	550
SC50236	Stainless Steel	6"	Mesh	36"	550
SCB50230	Stainless Steel	6"	Baffle	30"	550
SCB50236	Stainless Steel	6"	Baffle	36"	550

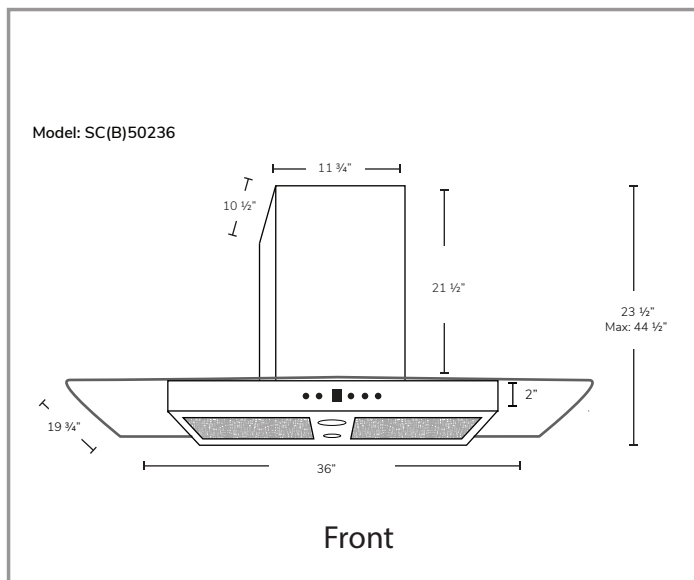
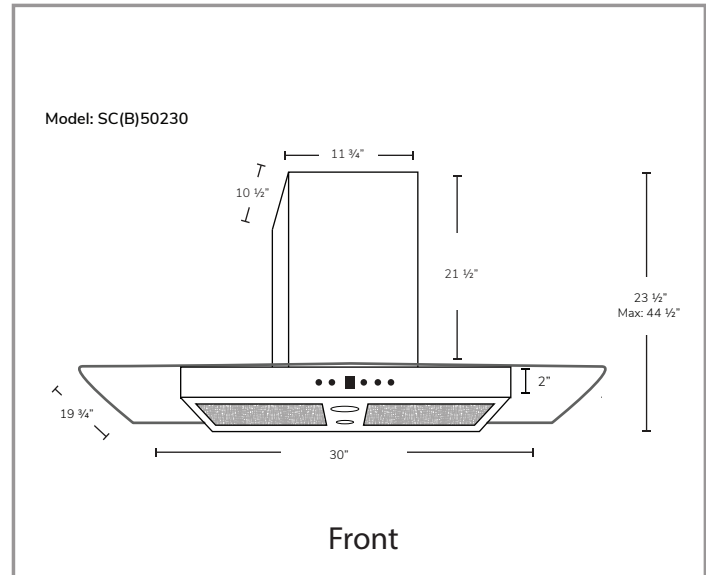
### Cyclone Range Hoods Inc.

1361 Huntingwood Drive, Unit 16. Toronto, ON. M1S 3J1. Canada.

Toll Free: 1-888-293-5662 Tel: (416) 293-0933 Fax: (416) 293-4793 Website: [www.CycloneRangeHoods.com](http://www.CycloneRangeHoods.com)

## Features

- Wall mount range hood
- 6" round duct adapter
- Non-stick aluminum fan blades
- 3 speed push button control
- 2 LED lights (2 x 1.4W)
- Dishwasher-safe mesh or baffle filters
- Standard chimney fits up to 9 ft. ceiling
- Up to 9 minute time-delay OFF feature
- Plug-in connection



## Options

- **Filters:**
  - SC502 - Quick Release Aluminum Mesh Filters
  - SCB502 - Quick Release Stainless Steel Baffle Filters
- **Chimney Flues:**
  - Short (7 ft. - 8 ft.. B1. CH16)
  - Standard (8 ft. - 9 ft.. B1.CH22)
  - Extended (9 ft. - 11 ft. B1.CH32)
- **Widths: 30", 36"**

## Specifications

- |  |  |  |
|--|--|--|
| <ul style="list-style-type: none"> <li>▪ Air Flow Volume: 550 CFM</li> <li>▪ Electrical Connection: 120V/60Hz</li> <li>▪ Power Consumption: 210 Watts</li> <li>▪ Current: 2.5 Amps</li> <li>▪ Fan Speed: 1600 RPM</li> <li>▪ Fan Type: Centrifugal Blower</li> </ul> | <ul style="list-style-type: none"> <li>▪ Finishes: Stainless Steel</li> <li>▪ Ducting: 6" Round</li> <li>▪ Dimensions: Width: 30", 36"<br/>Height: 44<sup>1/2</sup>"<br/>Depth: 19<sup>3/4</sup>"</li> </ul> | <ul style="list-style-type: none"> <li>▪ Noise Level: Min. 2 Sones<br/>Max. 6 Sones</li> </ul> |
|--|--|--|

