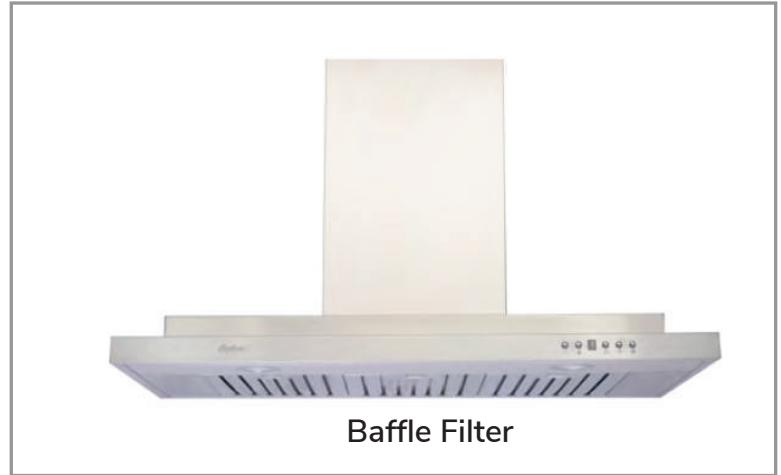


# SC(B)513 | ALITO Collection



## Wall Mount

The SC(B)513 features three filters across the bottom of the fan, two bright LED lights, a digital control panel and a straight-edged stainless steel frame. This is a quality fan for cooks who demand performance. Option to upgrade to baffle filters available. Fitted with a time-delay OFF feature up to nine minutes.

## Green Features



3 Speed Push Button Control Panel



Dishwasher Safe Filters



Long-Lasting LED Light



Time-Delay OFF Feature



Model	Colour	Ducting	Filters	Size	CFM
SC51330	Stainless Steel	6"	Mesh	30"	550
SC51336	Stainless Steel	6"	Mesh	36"	550
SCB51330	Stainless Steel	6"	Baffle	30"	550
SCB51336	Stainless Steel	6"	Baffle	36"	550

### Cyclone Range Hoods Inc.

1361 Huntingwood Drive, Unit 16. Toronto, ON. M1S 3J1. Canada.

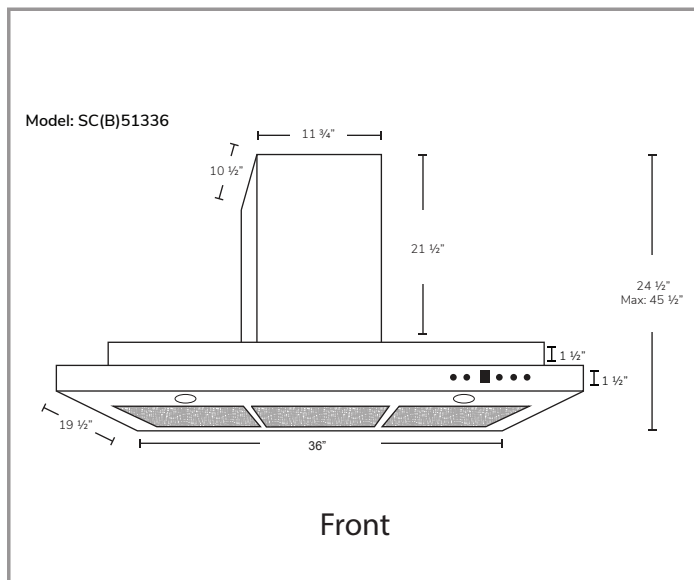
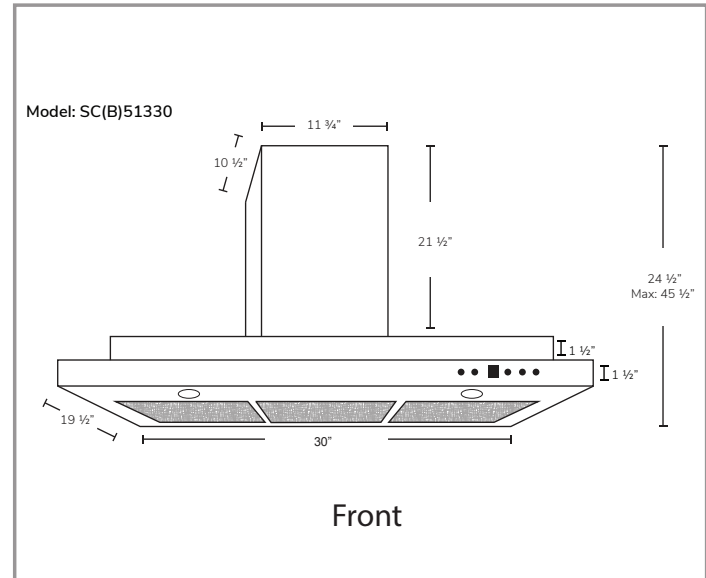
Toll Free: 1-888-293-5662 Tel: (416) 293-0933 Fax: (416) 293-4793 Website: [www.CycloneRangeHoods.com](http://www.CycloneRangeHoods.com)

# SC(B)513 | ALITO Collection

**Cyclone**<sup>®</sup>  
Breathe Better

## Features

- Wall mount range hood
- 6" round duct adapter
- Non-stick aluminum fan blades
- 3 speed push button control
- 2 LED lights (2 x 1.4W)
- Dishwasher-safe mesh or baffle filters
- Standard chimney fits up to 9 ft. ceiling
- Up to 9 minute time-delay OFF feature
- Plug-in connection



## Options

- Filters:
  - SC513 - Quick Release Aluminum Mesh Filters
  - SCB513 - Quick Release Stainless Steel Baffle Filters
- Chimney Flues:
  - Short (7 ft. - 8 ft.. B2. CH16)
  - Standard (8 ft. - 9 ft.. B2.CH22)
  - Extended (9 ft. - 11 ft. B2.CH32)
- Widths: 30", 36"

## Specifications

- Air Flow Volume: 550 CFM
- Electrical Connection: 120V/60Hz
- Power Consumption: 210 Watts
- Current: 2.5 Amps
- Fan Speed: 1600 RPM
- Fan Type: Centrifugal Blower
- Finishes: Stainless Steel
- Ducting: 6" Round
- Dimensions: Width: 30", 36"  
Height: 44<sup>1/2</sup>"  
Depth: 19<sup>3/4</sup>"
- Noise Level: Min. 2 Sones  
Max. 6 Sones

