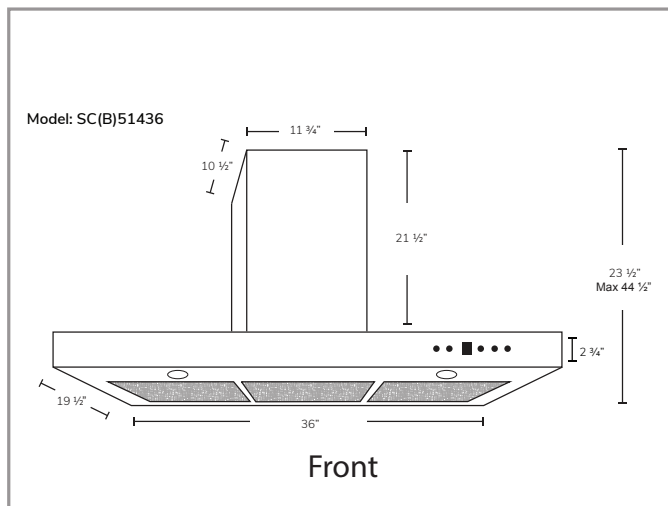
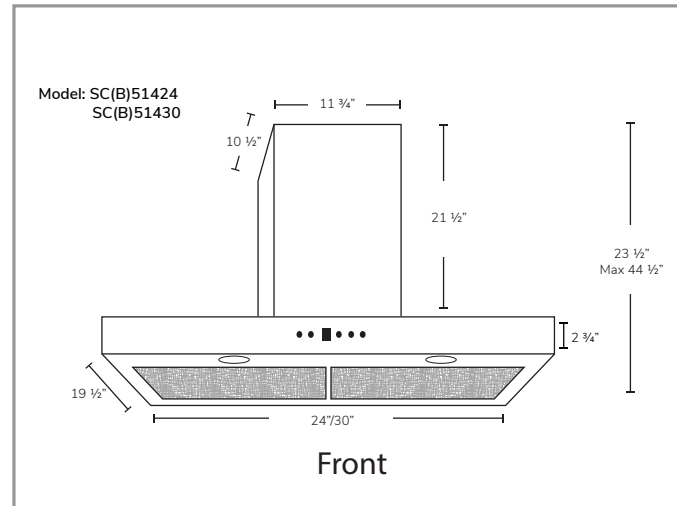


SC(B)514 | ALITO Collection

Cyclone[®]
Breathe Better

Features

- Wall mount range hood
- 6" round duct adapter
- Non-stick aluminum fan blades
- 3 speed push button control
- 2 LED lights (2 x 1.4W)
- Dishwasher-safe mesh or baffle filters
- Standard chimney fits up to 9 ft. ceiling
- Up to 9 minute time-delay OFF feature
- Plug-in connection



Options

- **Filters:**
 - SC514 - Quick Release Aluminum Mesh Filters
 - SCB514 - Quick Release Stainless Steel Baffle Filters
- **Chimney Flues:**
 - Short (7 ft. - 8 ft. B2. CH16)
 - Standard (8 ft. - 9 ft. B2. CH22)
 - Extended (9 ft. - 11 ft. B2. CH36)
- **Widths:** 24", 30", 36"

Specifications

- Air Flow Volume: 550 CFM
- Electrical Connection: 120V/60Hz
- Power Consumption: 210 Watts
- Current: 2.5 Amps
- Fan Speed: 1600 RPM
- Fan Type: Centrifugal Blower
- Finishes: Stainless Steel
- Ducting: 6" Round
- Dimensions: Width: 30", 36"
Height: 44 1/2"
Depth: 19 1/2"
- Noise Level: Min. 2 Sones
Max. 6 Sones



Toronto • Vancouver • Boston

www.CycloneRangeHoods.com

SC(B)514 | ALITO Collection



Wall Mount

The SC(B)514 makes a statement of strength and power with a bold frame and 550 CFM fan. Features mesh or baffle filters, two bright LED lights and a three-speed panel for total control. It is also fitted with a time-delay OFF feature up to nine minutes.

Green Features



3 Speed Push Button Control Panel



Dishwasher Safe Filters



Long-Lasting LED Light



Time-Delay OFF Feature



Model	Colour	Ducting	Filters	Size	CFM
SC51424	Stainless Steel	6"	Mesh	24"	550
SC51430	Stainless Steel	6"	Mesh	30"	550
SC51436	Stainless Steel	6"	Mesh	36"	550
SCB51424	Stainless Steel	6"	Baffle	24"	550
SCB51430	Stainless Steel	6"	Baffle	30"	550
SCB51436	Stainless Steel	6"	Baffle	36"	550

Cyclone Range Hoods Inc.

1361 Huntingwood Drive, Unit 16. Toronto, ON. M1S 3J1. Canada.

Toll Free: 1-888-293-5662 Tel: (416) 293-0933 Fax: (416) 293-4793 Website: www.CycloneRangeHoods.com