

SCB711 | PRO Collection

Cyclone[®]
Breathe Better



Wall Mount

Bold and masculine by design, the SCB711 is a professional grade range hood. The three-speed push button control panel gives you complete control of the fan while bright LED lights illuminate the cooking area. Comes standard with strong and easily removable dishwasher-safe baffle filters to keep your kitchen clean and keep you breathing easy. Fitted with a time-delay OFF feature up to nine minutes.

Includes



3 Speed Push Button
Control Panel



Dishwasher
Safe Baffle Filters



Long-Lasting
LED Light



Up to 9 Minutes
Time-Delay OFF Feature



Model	Colour	Ducting	Filters	Size	CFM
SCB71130	Stainless Steel	6"	Baffle	30"	650
SCB71136	Stainless Steel	6"	Baffle	36"	650

Cyclone Range Hoods Inc.

1361 Huntingwood Drive, Unit 16. Toronto, ON. M1S 3J1. Canada.

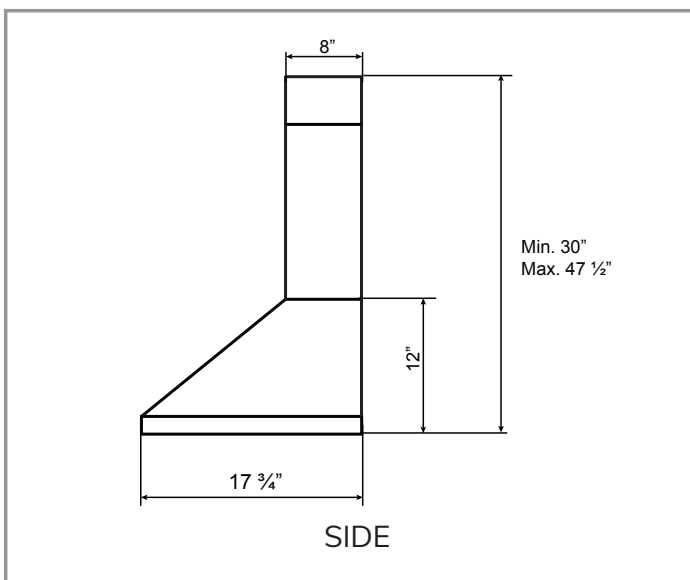
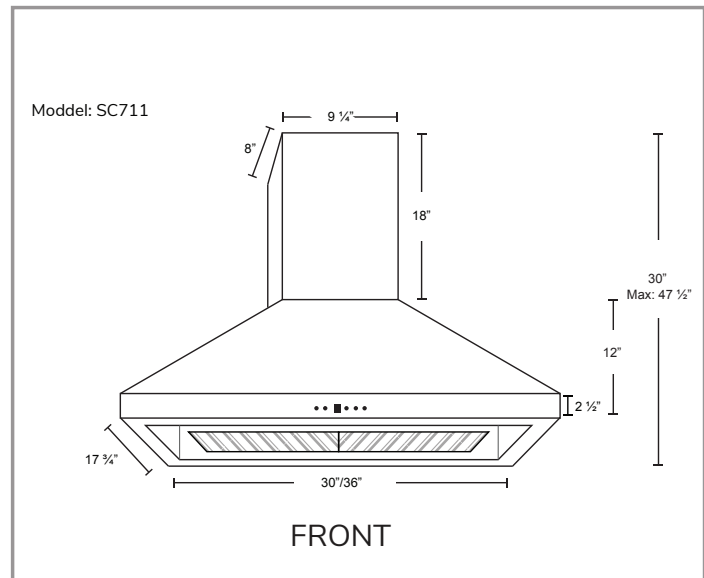
Toll Free: 1-888-293-5662 Tel: (416) 293-0933 Fax: (416) 293-4793 Website: www.CycloneRangeHoods.com

SCB711 | PRO Collection

Cyclone[®]
Breathe Better

Features

- Wall mount range hood
- 6" round duct adapter
- Non-stick aluminum fan blades
- 3 speed push button control
- 2 LED lights (2 x 1.4W)
- Dishwasher-safe quick release baffle filters
- Standard chimney fits up to 9ft. ceiling
- Up to 9 minute time-delay OFF feature
- Plug-in connection



Options

- Chimney Flues:
 - Short (7 ft. - 8 ft. A1. CH10)
 - Standard (8 ft. - 9 ft. A1. CH18)
 - Extended (9 ft. - 11 ft. A1. CH30)
- Widths: 30", 36"

Specifications

- Air Flow Volume: 650 CFM
- Electrical Connection: 120V/60Hz
- Power Consumption: 210 Watts
- Current: 2.5 Amps
- Fan Speed: 1600 RPM
- Fan Type: Centrifugal Blower
- Finishes: Stainless Steel
- Filters: Stainless Steel Baffle
- Ducting: 6" Round
- Dimensions: Width: 30", 36"
Height: 50"
Depth: 24"
- Noise Level: Min. 2 Sones
Max. 7 Sones



Toronto • Vancouver • Boston

www.CycloneRangeHoods.com