

SCB715 | PRO Collection



Wall Mount

Available in both 30" and 36" wide frames, the SCB715 conveys a sense of power and strength. Designed to look and function like a smaller scale industrial strength exhaust fan, this machine will certainly get rid of unwanted odours, grease and smoke even with high-heat cooking. Features three fan speeds, front LED lights and is fitted with a time-delay OFF feature up to nine minutes.

Includes



3 Speed Push Button Control Panel



Dishwasher Safe Baffle Filters



Grease Cup



Long-Lasting LED Light



Up to 9 Minutes Time-Delay OFF Feature



Model	Colour	Ducting	Filters	Size	CFM
SCB71530	Stainless Steel	6"	Baffle	30"	650
SCB71536	Stainless Steel	6"	Baffle	36"	650

Cyclone Range Hoods Inc.

1361 Huntingwood Drive, Unit 16. Toronto, ON. M1S 3J1. Canada.

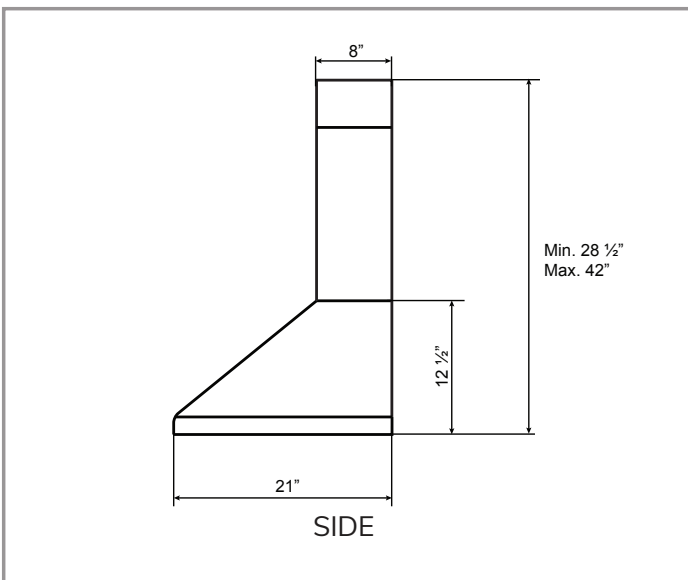
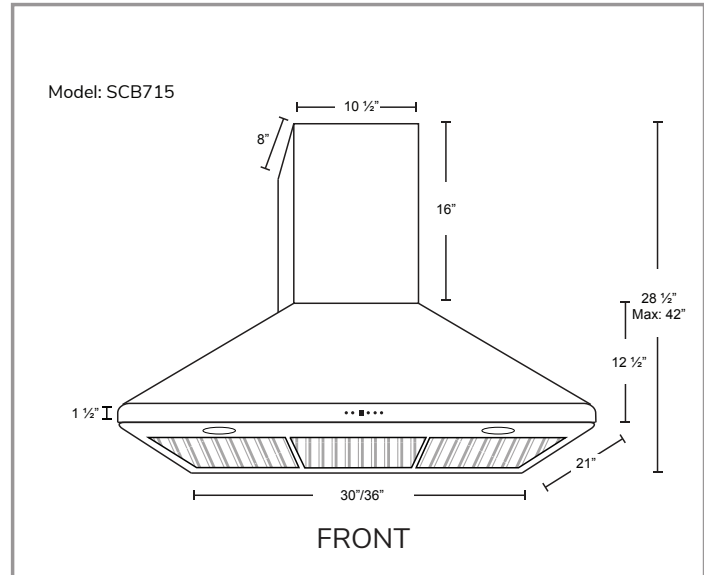
Toll Free: 1-888-293-5662 Tel: (416) 293-0933 Fax: (416) 293-4793 Website: www.CycloneRangeHoods.com

SCB715 | PRO Collection

Cyclone[®]
Breathe Better

Features

- Wall mount range hood
- 6" round duct adapter
- Non-stick aluminum fan blades
- 3 speed push button control
- 2 LED lights (2 x 1.4W)
- Dishwasher-safe baffle filters
- Standard chimney fits up to 9ft. ceiling
- Up to 9 minute time-delay OFF feature
- Plug-in connection



Options

- Filters: Stainless Steel Baffle Filters
- Available Chimney Flues:
 - Short (7 ft. - 8 ft. A2.CH10)
 - Standard (8 ft. - 9 ft. A2.CH16)
 - Extended (9 ft. - 11 ft. A2.CH30)
- Widths: 30", 36"

Specifications

- Air Flow Volume: 650 CFM
- Electrical Connection: 120V/60Hz
- Power Consumption: 210 Watts
- Current: 2.5 Amps
- Fan Speed: 1600 RPM
- Fan Type: Centrifugal Blower
- Finishes: Stainless Steel
- Ducting: 6" Round
- Dimensions: Width: 30", 36"
Height: 40"
Depth: 21"
- Noise Level: Min. 2 Sones
Max. 7 Sones



Toronto • Vancouver • Boston

www.CycloneRangeHoods.com