



## 24-INCH CONVECTION MICROWAVE

DCM24S



### GENERAL PROPERTIES

|        |                 |
|--------|-----------------|
| FINISH | STAINLESS STEEL |
|--------|-----------------|

### OPTIONAL ACCESSORIES

|                        |            |
|------------------------|------------|
| 27" MICROWAVE TRIM KIT | ADCMTK271S |
| 30" MICROWAVE TRIM KIT | ADCMTK301S |

### BASIC DETAILS

|           |                 |
|-----------|-----------------|
| WATTS     | 900             |
| CAPACITY  | 1.5 CUBIC FT    |
| RACKS     | MULTIPLE        |
| TURNTABLE | 15 3/8"         |
| INTERIOR  | STAINLESS STEEL |

### TECHNICAL INFORMATION

|                         |                            |
|-------------------------|----------------------------|
| ELECTRICAL REQUIREMENTS | 120V/60HZ                  |
| TOTAL CONNECTED LOAD    | 13 AMPS @ 120VAC, 60HZ     |
| TOTAL AMPS              | 15 AMPS, DEDICATED CIRCUIT |
| ELECTRICAL CONNECTION   | 3-PRONG OUTLET             |
| UTILITY LOCATIONS       | LEFT LOWER REAR OF CABINET |
| SHIPPING WEIGHT         | 60 LBS                     |

### PRODUCT DIMENSIONS

|  |   |
|--|---|
| APPLIANCE DIMENSIONS (H X W X D) (IN.) | 14 7/8" X 24 5/8" X 19"                           |
| CUT OUT DIMENSIONS (H X W X D) (IN.)   | 19 1/8" X SEE REVERSE X 24" MINIMUM CABINET DEPTH |

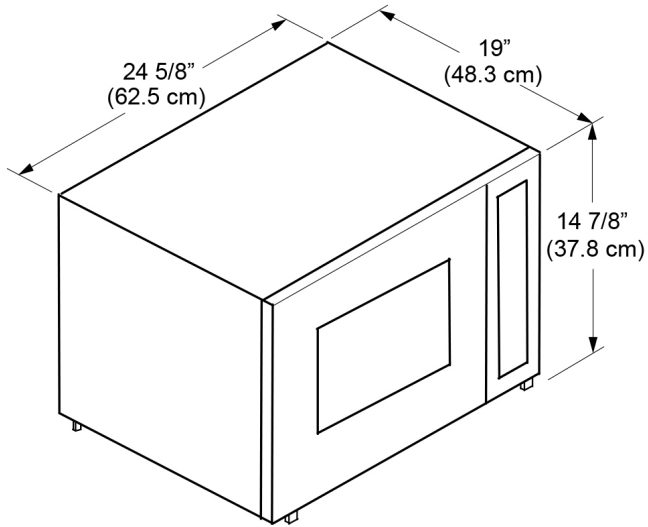
## FEATURES & BENEFITS

- Four Way Cooking System gives the user ultimate flexibility: Convection Cooking, Microwave Cooking, Combo Speed Cooking for Meats and Combo Speed Cooking for Baked Goods.
- Auto Defrost promptly thaws meat and poultry for quicker cooking results.
- Electronic Touch Control Panel:
- One line Display Screen displays time, recipes and directions for cooking in your convection microwave.
- Help Guide—useful instructions for using functions of unit.
- Auto Functions—Sensor Reheat, Easy Minute, Popcorn, and Auto Defrost.
- Sensor Cook—Eight different cooking categories—automatically detects when your food is perfectly cooked.
- Convection Auto Broil—Choose from Hamburgers, Chicken Pieces, Steaks or Fish and the oven tells you which rack to use. Simply enter weight & quantity information and the oven will broil at the correct temperature and time.
- Convection Auto Roast—Select rack position, enter weight and your Chicken, Turkey, Turkey Breast, or Pork will be prepared to perfection.
- Convection Auto Bake—Select your food type—bundt cake, cookies, muffins, or french fries and the oven will recommend the proper pan and set the bake time.
- Mix / Speed Cook Modes:
- Low Mix/Bake uses 350° of convection heat and 10% microwave power to bake foods quickly but also brown them for foods with 30 minutes or longer cooking time.
- High Mix/Roast uses 300° of convection heat and 30% microwave power to roast meats perfectly giving you seared and juicy meat every time.
- Broil mode will automatically preheat the oven and broil your meats to perfection at a set 450°.
- Slow Cook mode is preset for 300° (adjustable) and cooks for 4 hours. This mode is great for slow cooking items like beans & braised meats.w

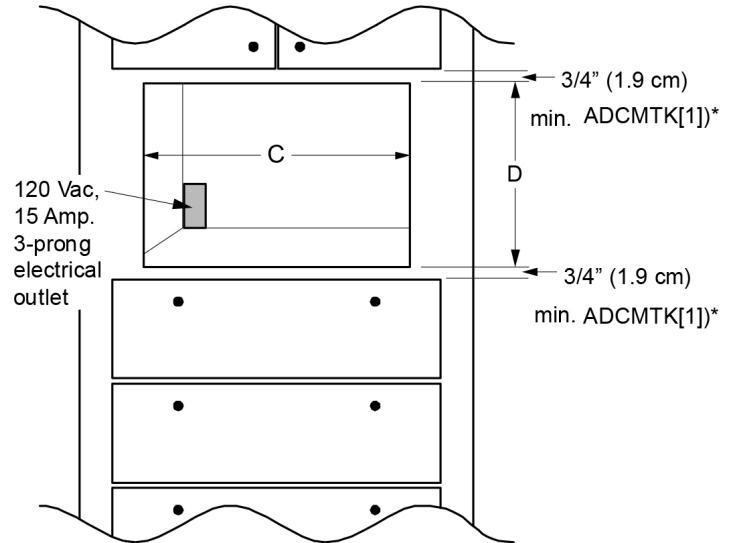
# dacor 24" CONVECTION MICROWAVE

## OVERALL PRODUCT DIMENSIONS

24"

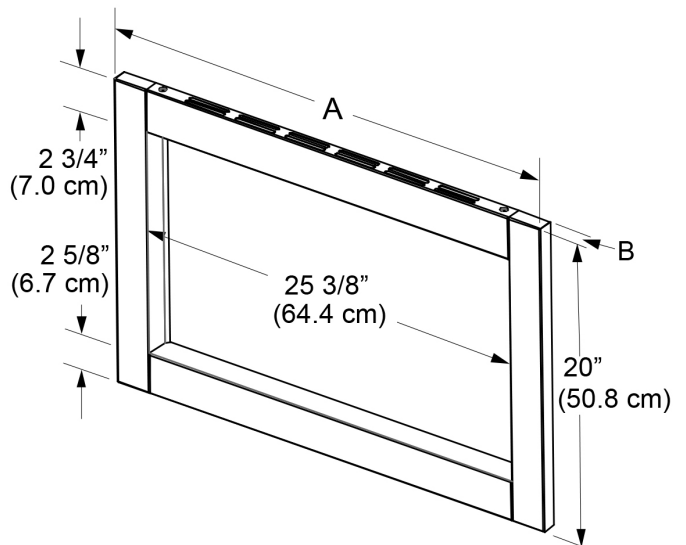
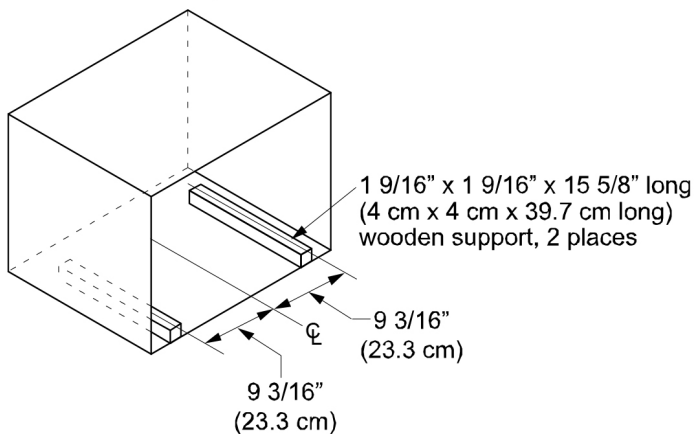


## TRIM KIT DIMENSIONS



| MODEL      | TRIM KIT OVERALL WIDTH | TRIM DEPTH | CUTOUT WIDTH | CUTOUT HEIGHT | TOP OVERLAY | BOTTOM OVERLAY |
|------------|------------------------|------------|--------------|---------------|-------------|----------------|
| ADCMTK271S | 26 7/8"                | 1"         | 25 3/4"      | 19 1/8" +/-   | 1/2"        | 1/2"           |
| ADCMTK301S | 29 7/8"                | 1"         | 28 1/4"      | 19 1/8" +/-   | 1/2"        | 1/2"           |

## WOODEN SUPPORT PLACEMENT - REQUIRED FOR BUILT IN INSTALLATIONS



\* ALL SPECIFICATIONS AND INFORMATION SUBJECT TO CHANGE. PLEASE VISIT WWW.DACOR.COM FOR THE MOST CURRENT PRODUCT DETAILS AND INSTALL INFORMATION