

# USE AND CARE MANUAL

## MICROWAVE OVEN

Model DMW2420

*S = Stainless Steel*

*B = Black*



## TABLE OF CONTENTS

IMPORTANT SAFETY INSTRUCTIONS.....	1-2
INFORMATION YOU NEED TO KNOW.....	3-6
PART NAMES .....	7
BEFORE OPERATING.....	8
MANUAL OPERATION.....	9
SENSOR COOKING .....	10-11
FROZEN FOODS .....	12
MENU OPTIONS .....	12-19
OTHER FEATURES .....	19-21
CLEANING AND CARE .....	22
SERVICE CALL CHECK.....	23
SPECIFICATIONS.....	23
PRODUCT WARRANTY .....	24



To Our Valued Customer:

Congratulations on your purchase of the very latest in Dacor® products! Our unique combination of features, style and performance make us The Life of the Kitchen™, and a great addition to your home.

In order to familiarize yourself with the controls, functions and full potential of your new Distinctive Appliance, read this use and care manual thoroughly, beginning with the **Important Safety Instructions** section.

All Dacor appliances are designed and manufactured with quality and pride, while working within the framework of our company value. Should you ever experience a problem with your product, please first check the **Before You Call for Service** section of this manual for guidance. It provides useful suggestions and remedies prior to calling for service.

Valuable customer input helps us to continuously improve our products and services, so please feel free to contact our Customer Service Team for assistance with any of your product support needs.

Dacor Customer Service Team  
14425 Clark Avenue  
City of Industry, CA 91745

Telephone: (800) 793-0093  
Fax: (626) 403-3130  
Hours of Operation: Monday through Friday  
6:00 A.M. to 5:00 P.M. Pacific Time  
Web Site: [www.dacor.com](http://www.dacor.com)

Thank you for choosing Dacor for your home. We are a company built by families for families and we are dedicated to serving yours. We are confident that your new Dacor product will deliver a high level of performance and enjoyment for many years to come.

Sincerely,

*The Dacor Customer Service Team*

# Important Safety Instructions

**Installer:** Leave these instructions with the appliance.

**Consumer:** Read this use and care manual completely before using this appliance. Save it for future reference. It contains important use and care information. Keep your sales receipt or canceled check. Proof of original purchase date is required for warranty service.

**For service and warranty information, see pages 24 and back cover.**

If you have any questions (other than warranty questions), call:

Dacor Customer Service

(800) 793-0093 (U.S.A. and Canada)

Monday — Friday 6:00 A.M. to 5:00 P.M. Pacific Time

Web site: [www.Dacor.com](http://www.Dacor.com)

Have complete model and serial number identification of your appliance ready.

The name plate includes the model and serial number. The label is located on the top right of faceplate of the microwave oven.

Model Number \_\_\_\_\_

Serial Number \_\_\_\_\_

Date of Purchase \_\_\_\_\_

Since we continuously improve the quality and performance of our products, we may make changes to the appliance without updating this manual. Visit [www.Dacor.com](http://www.Dacor.com) to download the latest version of this manual.

---

## Important Information About Safety Instructions

---

The Important Safety Instructions and warnings in this manual are not meant to cover all possible conditions and situations that can occur. Use common sense and caution when installing, maintaining or operating this or any other appliance.

Always contact the Dacor Customer Service Team about problems or situations that you do not understand.

## Safety Symbols and Labels

### **DANGER**

Immediate hazards that **WILL** result in severe personal injury or death.

### **WARNING**

Hazards or unsafe practices that **COULD** result in severe personal injury or death.

### **CAUTION**

Hazards or unsafe practices that **COULD** result in minor personal injury or property damage.

### **WARNING**

## PRECAUTIONS TO AVOID POSSIBLE EXPOSURE TO EXCESSIVE MICROWAVE ENERGY

- (a) Do not attempt to operate this oven with the door open since open-door operation can result in harmful exposure to microwave energy. It is important not to defeat or tamper with the safety interlocks.
- (b) Do not place any object between the oven front face and the door or allow soil or cleaner residue to accumulate on sealing surfaces.
- (c) Do not operate the oven if it is damaged. It is particularly important that the oven door close properly and that there is no damage to the: (1) door (bent), (2) hinges and latches (broken or loosened), (3) door seals and sealing surfaces.
- (d) The oven should not be adjusted or repaired by anyone except properly qualified service personnel.

# IMPORTANT SAFETY INSTRUCTIONS

## **WARNING**

When using the appliance, basic safety precautions should be followed, including the following:

**⚠ WARNING** To reduce the risk of burns, electric shock, fire, injury to persons or exposure to excessive microwave energy:

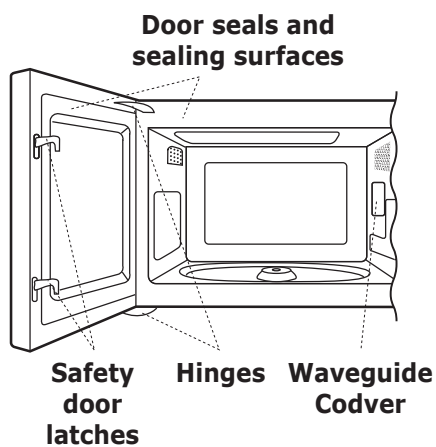
1. Read all instructions before using the appliance.
2. Read and follow the specific "PRECAUTIONS TO AVOID POSSIBLE EXPOSURE TO EXCESSIVE MICROWAVE ENERGY" on page 1.
3. This appliance must be grounded. Connect only to properly grounded outlet. See "GROUNDING INSTRUCTIONS" on page 3.
4. Install or locate this appliance only in accordance with the provided installation instructions.
5. Some products such as whole eggs and sealed containers—for example, closed glass jars—are able to explode and should not be heated in this oven.
6. Use this appliance only for its intended use as described in this manual. Do not use corrosive chemicals or vapors in this appliance. This type of oven is specifically designed to heat, cook or dry food. It is not designed for industrial or laboratory use.
7. As with any appliance, close supervision is necessary when used by children.
8. Do not operate this appliance if it has a damaged cord or plug, if it is not working properly or if it has been damaged or dropped.
9. This appliance should be serviced only by qualified service personnel. Contact the nearest Dacor Authorized Servicer for examination, repair or adjustment.
10. Do not cover or block any openings on the appliance.
11. Do not store or use this appliance outdoors. Do not use this product near water—for example, near a kitchen sink, in a wet basement, near a swimming pool, or similar locations.
12. Do not immerse cord or plug in water.
13. Keep cord away from heated surfaces.
14. Do not let cord hang over edge of table or counter.
15. See door surface cleaning instructions on page 22.
16. To reduce the risk of fire in the oven cavity:
  - a. Do not overcook food. Carefully attend to appliance when paper, plastic or other combustible materials are placed inside the oven to facilitate cooking.
  - b. Remove wire twist-ties from paper or plastic bags before placing bag in oven.
  - c. If materials inside the oven ignite, keep oven door closed, turn oven off and disconnect the power cord or shut off power at the fuse or circuit breaker panel.
  - d. Do not use the cavity for storage purposes. Do not leave paper products, cooking utensils or food in the cavity when not in use.
17. Liquids, such as water, coffee or tea are able to be overheated beyond the boiling point without appearing to be boiling. Visible bubbling or boiling when the container is removed from the microwave oven is not always present. **THIS COULD RESULT IN VERY HOT LIQUIDS SUDDENLY BOILING OVER WHEN A SPOON OR OTHER UTENSIL IS INSERTED INTO THE LIQUID.** To reduce the risk of injury to persons:
  - a. Do not overheat the liquid.
  - b. Stir the liquid both before and halfway through heating it.
  - c. Do not use straight-sided containers with narrow necks. Use a wide-mouthed container.
  - d. After heating, allow the container to stand in the microwave oven at least for 20 seconds before removing the container.
  - e. Use extreme care when inserting a spoon or other utensil into the container.
18. If the oven is installed as a built-in, observe the following instructions:
  - a. Do not mount over a sink.
  - b. Do not store anything directly on top of the appliance surface when the appliance is in operation.
19. If the oven light fails, consult a DACOR AUTHORIZED SERVICER.

## READ AND SAVE THESE INSTRUCTIONS

# Information You Need To Know

## About Unpacking And Examining Your Microwave Oven

1. Remove all packing materials from inside the oven cavity; however, DO NOT REMOVE THE WAVEGUIDE COVER, which is located on the right cavity wall. Read enclosures and SAVE this use and care manual.
2. Remove the feature sticker, if there is one. Check the oven for any damage, such as misaligned or bent door, damaged door seals and sealing surfaces, broken or loose door hinges and latches and dents inside the cavity or on the door. If there is any damage, do not operate the oven and contact your dealer or DACOR AUTHORIZED SERVICER.



## About Choosing A Location For Your Oven On The Counter

You will use the oven frequently so plan its location for ease of use. It is wise, if possible, to have counter space on at least one side of the oven. Allow at least 2 inches on the sides, top and at the rear of the oven for air circulation.

## About Choosing A Location For Your Oven If Built-In

Your microwave oven can be built into a cabinet or wall by itself or above certain Dacor wall ovens or warming drawers using Dacor built-in kits: AMTK27S (stainless), AMTK27B (black), AMTK30S (stainless), AMTK36S (stainless), AOMTK27S (stainless), AOMTK27B (black), AOMTK30S (stainless), AOMTK30B (black), AOMTK30G (stone gray). Consult your Dacor dealer for compatibility.

## GROUNDING INSTRUCTIONS

### **WARNING**

Improper use of the grounding plug can result in a risk of electric shock.

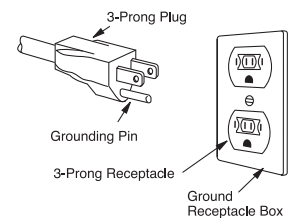
This appliance must be grounded. This oven is equipped with a cord having a grounding wire with a grounding plug. It must be plugged into a wall receptacle that is properly installed and grounded in accordance with the National Electrical Code and local codes and ordinances. In the event of an electrical short circuit, grounding reduces risk of electric shock by providing an escape wire for the electric current.

### Electrical Requirements

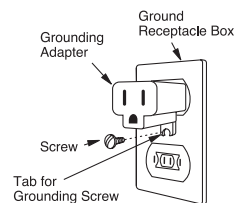
The electrical requirements are a 120 volt 60 Hz, AC only, 15 amp. or more protected electrical supply. It is recommended that a separate circuit serving only this appliance be provided.

The oven is equipped with a 3-prong grounding plug. It must be plugged into a wall receptacle that is properly installed and grounded. Should you only have a 2-prong outlet, have a qualified electrician install a correct wall receptacle.

#### Permanent and Correct Installation



#### Temporary Use



A 3-prong adapter may be purchased and used temporarily if local codes allow. Follow package directions.

A short power-supply cord is provided to reduce risk of becoming entangled in or tripping over a longer cord.

### Extension Cord

If it is necessary to use an extension cord, use only a 3-wire extension cord that has a 3-blade grounding plug and a 3-slot receptacle that will accept the plug on the microwave oven. The marked rating of the extension cord should be AC 115-120 volt, 15 amp. or more.

Be careful not to drape the cord over the countertop or table where it can be pulled on by children or tripped over accidentally.

### NOTES:

- If you have any questions about the grounding or electrical instructions, consult a qualified electrician or service person.
- Neither Dacor nor the dealer can accept any liability for damage to the oven or personal injury resulting from failure to observe the correct electrical connection procedures.

# Information You Need To Know

## Radio or TV Interference

Should there be any interference caused by the microwave oven to your radio or TV, check that the microwave oven is on a different electrical circuit, relocate the radio or TV as far away from the oven as feasible or check position and signal of receiving antenna.

---

## About Your Microwave Oven

---

NEVER use the oven without the turntable and support nor turn the turntable over so that a large dish could be placed in the oven. The turntable will turn both clockwise and counterclockwise.

ALWAYS have food in the oven when it is on to absorb the microwave energy.

When using the oven at power levels below 100%, you may hear the magnetron cycling on and off. It is normal for the exterior of the oven to be warm to the touch when cooking or reheating.

Condensation is a normal part of microwave cooking. Room humidity and the moisture in food will influence the amount of moisture that condenses in the oven. Generally, covered foods will not cause as much condensation as uncovered ones. Vents on the oven back must not be blocked.

The oven is for food preparation only. It should not be used to dry clothes or newspapers.

Your oven is rated 1100 watts by using the IEC Test Procedure. In using recipes or package directions, check food a minute or two before the minimum time and add time accordingly.

---

## About Microwave Cooking

---

- Arrange food carefully. Place thickest areas towards outside of dish.
- Watch the cooking time. Cook for the shortest amount of time indicated and add more as needed. Food severely overcooked can smoke or ignite.
- Cover foods while cooking. Check a recipe or cookbook for suggestions like: paper towels, wax paper, microwave plastic wrap or a lid. Covers prevent spattering and help foods to cook evenly.
- Shield with small flat pieces of aluminum foil any thin areas of meat or poultry to prevent overcooking before dense, thick areas are cooked thoroughly.
- Stir foods from outside to center of dish once or twice during cooking, if possible.

- Turn foods over once during microwaving to speed cooking of such foods as chicken and hamburgers. Large items like roasts must be turned over at least once.
- Rearrange foods such as meatballs halfway through cooking both from top to bottom and from right to left.
- Add standing time. Remove food from oven and stir, if possible. Cover during standing time, allowing the food to finish cooking without overcooking.
- Check for doneness. Look for signs indicating that cooking temperatures have been reached.

Signs of doneness include:

- Food steams throughout, not just at edge.
- Poultry thigh joints move easily.
- Meat and poultry show no pinkness.
- Fish is opaque and flakes easily with a fork.

---

## About Utensils And Coverings

---

It is not necessary to buy all new cookware. Many pieces already in your kitchen can be used successfully in your new microwave. Make sure the utensil does not touch the interior walls during cooking.

Use these utensils for safe microwave cooking and reheating:

- Glass ceramic (Pyroceram®), such as Corningware®
- Heat-resistant glass (Pyrex®)
- Microwave-safe plastics
- Microwave-safe paper plates
- Microwave-safe pottery, stoneware and porcelain
- Browning dish (Do not exceed recommended preheating time. Follow manufacturer's directions.)

These items can be used for short time reheating of foods that have little fat or sugar in them:

- Wood, straw, wicker

### Do Not Use

- Metal pans and bakeware
- Dishes with metallic trim
- Non-heat-resistant glass
- Non-microwave-safe plastics (margarine tubs)
- Recycled paper products
- Brown paper bags
- Food storage bags
- Metal twist-ties



# Information You Need To Know

Should you wish to check if a dish is safe for microwaving, place the empty dish in the microwave on HIGH for 30 seconds. A dish which becomes very hot should not be used.

The following coverings are ideal:

- Paper towels are good for covering foods for reheating and absorbing fat while cooking bacon.
- Wax paper can be used for cooking and reheating.
- Plastic wrap that is specially marked for microwave use can be used for cooking and reheating. DO NOT allow plastic wrap to touch food. Vent so steam can escape.
- Lids that are microwave-safe are a good choice because heat is kept near the food to hasten cooking.
- Oven cooking bags are good for large meats or foods that need tenderizing. DO NOT use metal twist ties. Remember to slit the bag so steam can escape.

How to use aluminum foil in your Oven:

- Small flat pieces of aluminum foil placed smoothly on the food can be used to shield areas that are either defrosting or cooking too quickly.
- Foil should not come closer than 1 inch to any surface of the oven.

Should you have questions about utensils or coverings, check a good microwave cookbook or follow recipe suggestions.

**Accessories:**

There are many microwave accessories available for purchase. Evaluate carefully before you purchase to make sure that they meet your needs. A microwave-safe thermometer will assist you in determining correct doneness and assure you that foods have been cooked to safe temperatures. Dacor is not responsible for any damage to the appliance when accessories are used.

---

## About Children And The Microwave

---

Children below the age of 7 should use the microwave oven with a supervising person very near to them. Between the ages of 7 and 12, the supervising person should be in the same room. The child must be able to reach the oven comfortably.

At no time should anyone be allowed to lean or sit on the oven.

Children should be taught all safety precautions: how to use potholders, remove coverings carefully and pay special attention to packages that crisp food because they may be extra hot.

Do not assume because a child has mastered one cooking skill that he/she can cook everything.

Children need to learn that the microwave oven is not a toy. See page 20 for Child Lock feature.

---

## About Safety

---

Check foods to see that they are cooked to the United States Department of Agriculture's recommended temperatures.

160°F - For fresh pork, ground meat, boneless white poultry, fish, seafood, egg dishes and frozen prepared food.
--

165°F - For leftovers, ready-to-reheat refrigerated; deli and carry-out "fresh" food.
---

170°F - White meat of poultry.
--------------------------------

180°F - Dark meat of poultry.
-------------------------------

To test for doneness, insert a meat thermometer in a thick or dense area away from fat or bone. NEVER leave the thermometer in the food during cooking, unless it is approved for microwave use.

- ALWAYS use potholders to prevent burns when handling utensils that are in contact with hot food. Enough heat from the food can transfer through utensils to cause skin burns.
- Avoid steam burns by directing steam away from the face and hands. Slowly lift the farthest edge of a dish's covering and carefully open popcorn and oven cooking bags away from the face.
- Stay near the microwave oven while it's in use and check cooking progress frequently so that there is no chance of overcooking food.
- NEVER use the microwave oven for storing cookbooks or other items.
- Select, store and handle food carefully to preserve its high quality and minimize the spread of foodborne bacteria.
- Keep waveguide cover clean. Food residue can cause arcing and/or fires.
- Use care when removing items from the oven so that the utensil, your clothes or accessories do not touch the safety door latches.

# Information You Need To Know

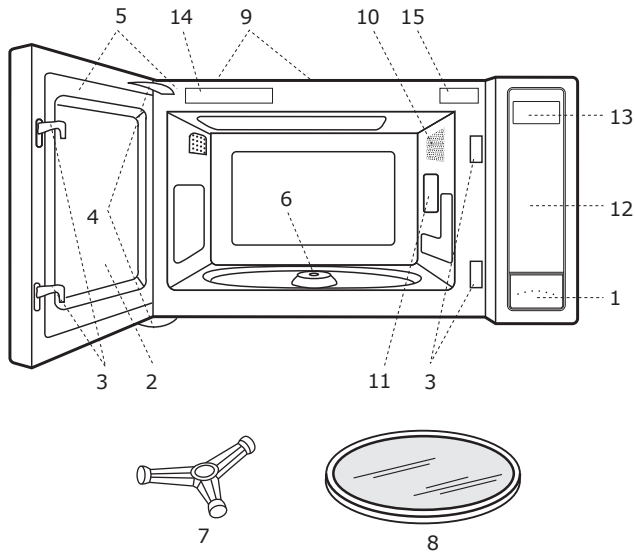
## About Foods

Food	Do	Don't
Eggs, sausages, nuts, seeds, fruits and vegetables	<ul style="list-style-type: none"><li>• Puncture egg yolks before cooking to prevent "explosion."</li><li>• Pierce skins of potatoes, apples, squash, hot dogs and sausages so that steam escapes.</li></ul>	<ul style="list-style-type: none"><li>• Cook eggs in shells.</li><li>• Reheat whole eggs.</li><li>• Dry nuts or seeds in shells.</li></ul>
Popcorn	<ul style="list-style-type: none"><li>• Use specially bagged popcorn for the microwave.</li><li>• Listen while popping corn for the popping to slow to 1 or 2 seconds or use the special <b>POPCORN</b> key.</li></ul>	<ul style="list-style-type: none"><li>• Pop popcorn in regular brown bags or glass bowls.</li><li>• Exceed maximum time on popcorn package.</li></ul>
Baby food	<ul style="list-style-type: none"><li>• Transfer baby food to small dish and heat carefully, stirring often. Check temperature before serving.</li><li>• Put nipples on bottles after heating and shake thoroughly. "Wrist" test before feeding.</li></ul>	<ul style="list-style-type: none"><li>• Heat disposable bottles.</li><li>• Heat bottles with nipples on.</li><li>• Heat baby food in original jars.</li></ul>
General	<ul style="list-style-type: none"><li>• Cut baked goods with filling after heating to release steam and avoid burns.</li><li>• Stir liquids briskly before and after heating to avoid "eruption".</li><li>• Use a deep bowl, when cooking liquids or cereals, to prevent boilovers.</li></ul>	<ul style="list-style-type: none"><li>• Heat or cook in closed glass jars or airtight containers.</li><li>• Heat cans in the microwave as harmful bacteria may not be destroyed.</li><li>• Deep fat fry.</li><li>• Dry wood, gourds, herbs or wet papers.</li></ul>



# Part Names

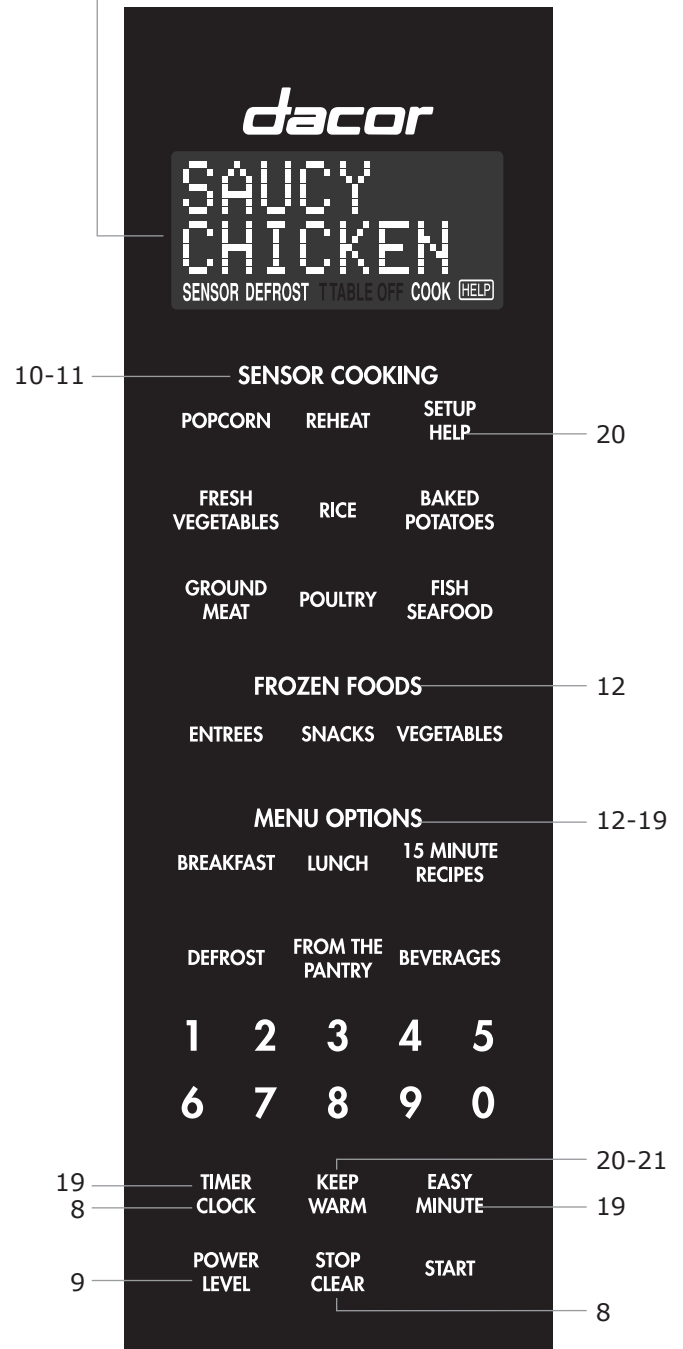
## Microwave Oven Parts



1. One touch door open button  
Push to open door.
2. Oven door with see-through window
3. Safety door latches  
The oven will not operate unless the door is securely closed.
4. Door hinges
5. Door seals and sealing surfaces
6. Turntable motor shaft
7. Removable turntable support  
Carefully place the turntable support in the center of the oven floor.
8. Removable turntable  
Place the turntable on the turntable support securely. The turntable will rotate clockwise or counterclockwise. Only remove for cleaning.
9. Ventilation openings (rear)
10. Oven light  
It will light when oven is operating or door is open.
11. Waveguide cover: DO NOT REMOVE.
12. Control panel
13. Interactive display: 99 minutes, 99 seconds
14. Menu label
15. Name plate

## Control Panel

The two-line, Interactive Display spells out the operating steps and shows cooking hints. When **HELP** is lit in the display, touch the **HELP** key to read a specific hint which may assist you.



Number next to the control panel illustration indicates page numbers where feature descriptions and usage information is located.

# Before Operating

Before operating your new microwave oven make sure you read and understand this manual completely.

Before the microwave oven can be used, you must follow these steps:

1. Plug in the microwave oven. Close the door. The oven display will show **WELCOME PRESS CLEAR AND PRESS CLOCK**.
2. Touch the **STOP/CLEAR** key.  will appear.
3. Set the clock.

---

## To Set The Clock

---

1. Touch the **TIMER/CLOCK** key and number .
2. Touch the number keys for correct time of day and touch the **TIMER/CLOCK** key again.

This is a 12 hour clock. If you attempt to enter an incorrect clock time, **ERROR** will appear in the display. Touch the **STOP/CLEAR** key and re-enter the time.

Should the electrical power supply to your microwave oven be interrupted, the display will intermittently show **WELCOME PRESS CLEAR AND PRESS CLOCK** after the power is restored. If power is interrupted during cooking, the program will be erased. The time of day will also be erased. Simply touch the **STOP/CLEAR** key and reset the clock for the correct time of day.

---

## Stop/Clear

---

Touch the **STOP/CLEAR** key to:

- Clear a mistake made during programming.
- Cancel the timer.
- Stop the microwave oven temporarily during timed cooking.
- Return the time of day to the display.
- Cancel a program during cooking, touch twice for timed cooking.

# Manual Operation

## Time Cooking

Your microwave oven can be programmed for 99 minutes 99 seconds (99.99). Always enter the seconds after the minutes, even if they are both zeros.

For example, to cook for 5 minutes at 100%:

1. Enter the cooking time by touching the number keys **5 0 0**.
2. To cook at 100% power (High), touch the **START** key.

## Manual Defrost

If the food that you wish to defrost is not listed on the Defrost Chart or is above or below the limits in the Amount column on the Super Defrost or Compu Defrost Charts on page 18, you need to defrost manually.

You can defrost any frozen food, either raw or previously cooked, by setting the Power Level to 30%. Follow the exact 3 step procedure found under To Set Power Level. Estimate defrosting time and press the POWER LEVEL key eight times for 30% power.

For either raw or previously cooked frozen food, the rule of thumb is approximately 4 minutes per pound. For example, defrost 4 minutes for 1 pound of frozen spaghetti sauce.

Always stop the microwave oven periodically to remove or separate the portions that are defrosted. If food is not defrosted at the end of the estimated defrosting time, program the microwave oven in 1 minute increments at a Power Level of 30% until totally defrosted.

When using plastic containers from the freezer, defrost only long enough to remove from the plastic, then place in a microwave-safe dish.

## To Set Power Level

There are 11 preset power levels.

Using lower power levels increases the cooking time, which is recommended for foods such as cheese, milk and long slow cooked meats. Consult a microwave cookbook or recipes for specific recommendations.

For example, to defrost for 5 minutes at 30%:

1. Enter the defrost time by touching the number keys **5 0 0**.
2. Touch the **POWER LEVEL** key 8 times or hold it down until the desired power appears.
3. Touch the **START** key.

## Defrost Chart

Touch Power Level Key Number Of Times For Desired Power	Approximate Percentage Of Power	Common Words For Power Levels
Power Level x 1	100%	High
Power Level x 2	90%	
Power Level x 3	80%	
Power Level x 4	70%	Medium high
Power Level x 5	60%	
Power Level x 6	50%	Medium
Power Level x 7	40%	
Power Level x 8	30%	Med low/Defrost
Power Level x 9	20%	
Power Level x 10	10%	Low
Power Level x 11	0%	

# Sensor Cooking

Dacor's sensor is a semi-conductor device that detects the vapor (moisture and humidity) emitted from the food as it heats. The sensor adjusts the cooking times and power levels for various foods and quantities.

## Using Sensor Settings:

1. After the microwave oven is plugged in, wait 2 minutes before using any sensor setting.
2. Be sure the exterior of the cooking container and the interior of the microwave oven are dry. Wipe off any moisture with a dry cloth or paper towel.
3. The sensor works with foods at normal storage temperature. For example, popcorn would be at room temperature.
4. Any sensor selection can be programmed with More or Less Time Adjustment. See page 20.
5. More or less food than the quantity listed in the charts should be cooked following the guidelines in any microwave cookbook.
6. During the first part of sensor use, the food name will appear on the display. Do not open the microwave oven or touch **STOP/CLEAR** during this part of the cycle. The measurement of vapor will be interrupted. If this occurs, an error message will appear. To continue cooking, touch the **STOP/CLEAR** key and cook manually.  
When the sensor detects the vapor emitted from the food, the remainder of cooking/reheating time will appear. The microwave oven may be opened when the remaining time appears on the display. At this time, you may stir or season food, as desired.
7. If the sensor does not detect vapor properly when popping popcorn, the microwave oven will turn off, and the time of day will be displayed. If the sensor does not detect vapor properly when cooking other foods, **ERROR** will be displayed, and the microwave will turn off.

8. Check the food temperature after cooking. If additional time is needed, continue to cook manually.
9. Each food has a cooking hint. Touch the **SET UP/HELP** key when the HELP indicator is lighted in the display.

## Covering Foods:

Some foods cook best when covered. Use the cover recommended in the charts for these foods. You may refer to the hints by touching the **SET UP/HELP** key.

- Casserole lid.
- Plastic wrap: Use plastic wrap recommended for microwave cooking. Cover dish loosely; allow approximately 1/2 inch to remain uncovered to allow steam to escape. Plastic wrap should not touch food.
- Wax paper: Cover dish completely; fold excess wrap under dish to secure. If dish is wider than paper, overlap two pieces at least one inch to cover.

Be careful when removing any covering to allow steam to escape away from you.

You can cook many foods by simply selecting the food and touching **START**. You don't need to calculate cooking time or power level.

For example, to reheat canned chili:

1. Touch the **REHEAT** key.
2. Touch the **START** key.

When the sensor detects the vapor emitted from the food, the remainder of the cooking time will appear.

### NOTE:

The Fresh Vegetables and Poultry settings have 2 choices. Follow directions in the display to choose desired option.

## Sensor Cooking Chart

Food	Amount	Procedure
Popcorn	1 package	Use only popcorn packaged for the microwave. Try several brands to decide your favorite. Do not try to pop unpopped kernels.
	1.5 - 3.5 oz. bag	Touch the <b>POPCORN</b> key and touch <b>START</b> .

# Sensor Cooking

## Sensor Cooking Chart (continued)

Food	Amount	Procedure															
Reheat	4 - 36 oz.	Place food to be reheated in a dish or casserole slightly larger than the amount. Flatten, if possible. Cover with a lid, plastic wrap or wax paper. Use covers such as plastic wrap or lids, with larger quantities of more dense foods such as stews. After reheating, stir well, if possible. Re-cover and allow to stand 2 to 3 minutes. Foods should be very hot. If not, continue to heat with variable power and time.															
Fresh vegetables, soft: Broccoli Brussel sprouts Cabbage Cauliflower (flowerets) Cauliflower (whole) Spinach Zucchini Baked apples	.25 - 2.0 lb. .25 - 2.0 lb. .25 - 2.0 lb. .25 - 2.0 lb. 1 med. .25 - 1.0 lb. .25 - 2.0 lb. 2 - 4 med.	Wash and place in casserole. Do not add water if vegetables have just been washed. Cover with lid for tender vegetables. Use plastic wrap for tender-crisp vegetables. Touch <b>FRESH VEGETABLES</b> , number 1 and <b>START</b> . After cooking, stir, if possible. Let stand covered for 2 to 5 minutes.															
Fresh vegetables, hard: Carrots, sliced Corn on the cob Green beans Winter squash: diced halves	.25 - 1.5 lb. 2 - 4 .25 - 1.5 lb. .25 - 1.5 lb. 1 - 2	Place in casserole. Add 1 - 4 tablespoons water. Cover with lid for tender vegetables. Use plastic wrap cover for tender-crisp vegetables. Touch <b>FRESH VEGETABLES</b> , number 2 and <b>START</b> . After cooking, stir, if possible. Let stand covered for 2 to 5 minutes.															
Rice	.5 - 2.0 cup	Place rice into a deep casserole and add a double quantity of water. Cover with lid or plastic wrap. After cooking, stir, cover and let stand 3 to 5 minutes or until all liquid has been absorbed. <table border="1" style="margin-left: auto; margin-right: auto;"> <thead> <tr> <th>Rice</th> <th>Water</th> <th>Size of casserole</th> </tr> </thead> <tbody> <tr> <td>.5 cup</td> <td>1 cup</td> <td>1.5 quart</td> </tr> <tr> <td>1 cup</td> <td>2 cups</td> <td>2 quart</td> </tr> <tr> <td>1.5 cups</td> <td>3 cups</td> <td>2.5 or 3 quart</td> </tr> <tr> <td>2 cups</td> <td>4 cups</td> <td>3 quart or larger</td> </tr> </tbody> </table>	Rice	Water	Size of casserole	.5 cup	1 cup	1.5 quart	1 cup	2 cups	2 quart	1.5 cups	3 cups	2.5 or 3 quart	2 cups	4 cups	3 quart or larger
Rice	Water	Size of casserole															
.5 cup	1 cup	1.5 quart															
1 cup	2 cups	2 quart															
1.5 cups	3 cups	2.5 or 3 quart															
2 cups	4 cups	3 quart or larger															
Baked potatoes	1 - 8 med.	Pierce. Place on paper-towel-lined turntable. After cooking, remove from microwave, wrap in aluminum foil and let stand 5 to 10 minutes.															
Ground meat	.25 - 2.0 lb.	Use this setting to cook ground beef or turkey as patties or in a casserole to be added to other ingredients. Place patties on a microwave-safe rack and cover with wax paper. Place ground meat in a casserole and cover with wax paper or plastic wrap. When the microwave stops, turn the patties over or stir the meat in the casserole to break up large pieces. Re-cover and touch <b>START</b> . After cooking, let stand covered for 2 to 3 minutes.															
Poultry : Boneless	.5 - 2.0 lb.	Use boneless breast of chicken or turkey. Cover with vented plastic wrap. Touch <b>POULTRY</b> , number 1 and <b>START</b> . When the oven stops, rearrange. Re-cover and touch <b>START</b> . After cooking, let stand, covered, 3 to 5 minutes. Poultry should be 160°F.															
Bone-in	.5 - 3.0 lb.	Arrange pieces with meatiest portions toward outside of glass dish or microwave safe rack. Cover with vented plastic wrap. Touch <b>POULTRY</b> , number 2 and <b>START</b> . After cooking, let stand, covered, 3 to 5 minutes. Dark meat should be 180°F and white meat should be 170°F.															
Fish/seafood	.25 - 2.0 lb.	Arrange in ring around shallow glass dish (roll fillet with edges underneath). Cover with vented plastic wrap. After cooking, let stand covered for 3 minutes.															

# Frozen Foods

## Frozen Foods Chart

Food	Amount	Procedure
Entrees	6 - 17 oz.	Use this key for frozen convenience foods. It will give satisfactory results for most brands. You may wish to try several and choose your favorite. Remove package from outer wrapping and follow package directions for covering. After cooking, let stand covered for 1-3 minutes.
Snacks	3 - 8 oz.	Use for frozen French fries, cheese sticks, appetizers etc. Remove from outer package. Follow package directions for how to wrap or cover. Be careful when removing from the oven as snack may be very hot.
Vegetables	.25 - 1.5 lb.	Add no water. Cover with lid or plastic wrap. After cooking, stir and let stand, covered, for 3 minutes.

# Menu Options

Your oven has 6 convenience keys to assist with meal preparation. There are some foods in the Breakfast, Lunch, 15 Minute Recipes and From the Pantry that use the sensor. See the sensor cooking information on page 10. For foods not using the sensor, follow the directions in the display to enter quantity.

## Breakfast and Lunch

Breakfast and Lunch are for cooking and heating popular foods that take a short amount of time.

1. Touch the **BREAKFAST** key. SEE LABEL SELECT FOOD NUMBER.
2. See the Menu Label. Select desired food by touching the number key. For example: touch number **3** for hot cereal. HOT CEREAL ENTER NUMBER OF SERVINGS.
3. Enter the quantity by touching a number key.
4. Touch the **START** key.

After cooking, follow the directions in the display.

### NOTES:

- Heat rolls/muffins setting has 2 choices. Follow directions in the display to choose desired option.
- Breakfast can be programmed with More or Less Time Adjustment. Touch the **POWER LEVEL** key once or twice before touching **START** key. See page 20.
- Each food has a cooking hint. Touch **SET UP/ HELP** key when the HELP indicator is lighted in the display.
- Should you attempt to enter more or less than the allowed amount, an error message will appear in the display.  
More or less than the quantity listed in the chart should be cooked following the guidelines in any microwave book.
- The final cooking result will vary according to the food condition (e.g. initial temperature, shape, quality, covering). Check food for temperature after cooking. If additional time is needed, continue to cook manually.

## Breakfast Chart

Food	Amount	Procedure
1. Scrambled eggs	1 - 9 eggs	For each egg, use 1 teaspoon of butter or margarine and 1 tablespoon of milk. Place the butter or margarine in a dish, measuring cup or casserole large enough for the egg to expand. Mix the egg and milk together. Pour it onto butter or margarine in a dish. Place in the oven and program. When audible signals are heard, stir the egg mixture moving the cooked portion to the center of the dish and uncooked portion to the outside. After cooking, stir and let stand, covered, until set. Note that eggs will be slightly undercooked when removed from the oven.
2. Bacon	2 - 6 slices	Place bacon on paper plate, lined with a paper towel. Bacon should not extend over the rim of plate. Cover it with another paper towel. Allow bacon to stand a few minutes after removing from the oven to complete the cooking.



# Menu Options

## Breakfast Chart (continued)

**\*It is not necessary to enter amount.**

Food	Amount	Procedure
3. Hot cereal	1 - 6 servings	Use individual packets or bulk cereal in your favorite variety: oatmeal, oat bran, cream of wheat, farina or wheatena. Follow the package directions for the correct amount of water or milk. To prevent boil overs, it is very important to choose a large container because microwave cooking of cereal causes high boiling. If the oven stops, stir and touch <b>START</b> . After cooking, stir and let stand, covered, for 2 minutes.
4. Heat rolls/ muffins:		Use this key to warm rolls, muffins, biscuits, bagels etc. Large items should be considered as 2 or 3 regular size. Arrange on a plate and cover with a paper towel.
Fresh	1 - 10 pcs.	To warm fresh rolls and muffins, touch <b>BREAKFAST</b> , number <b>4</b> and number <b>1</b> . Then, enter the desired quantity and touch <b>START</b> . For refrigerated rolls or muffins, it may be necessary to double the entered amount to ensure the proper serving temperature. For example, enter a quantity of 2 for 1 refrigerated muffin.
Frozen	1 - 10 pcs.	For frozen rolls and muffins, touch <b>BREAKFAST</b> , touch number <b>4</b> and number <b>2</b> . Then, enter the desired quantity and touch <b>START</b> .
5. Frozen breakfast foods*	1 (3 - 6 oz.)	This setting works well for frozen breakfast entrees, pancakes, waffles, burritos etc. Follow manufacturer's directions for how to prepare for microwaving. Allow to stand 1 or 2 minutes after cooking.

## Lunch Chart

**\*It is not necessary to enter amount.**

Food	Amount	Procedure
1. Meal in a cup*	1 cup	This setting is ideal for individual portions of canned food packed in a small microwaveable container, usually 6 to 8 ounces. Remove the inner metal lid and replace the outer microwaveable lid. After cooking, stir the food and allow it to stand for 1 or 2 minutes.
2. Hot dogs in buns*	1 - 4 pcs.	Place the hot dog in a bun. Wrap each with a paper towel or napkin.
3. Soup*	1 - 8 cups	Place in a bowl or casserole. Cover it with a lid or plastic wrap. At the end, stir, re-cover and let it stand for 1 to 3 minutes.
4. Microwave pizza*	1 (6 - 8 oz.)	Use for frozen microwave pizza. Remove it from the package and unwrap. Follow the package directions for package use and/or the silver crisping disk.
5. Frozen sandwich*	1 (3 - 6 oz.)	Use for frozen microwaveable sandwiches. Remove it from the package and follow the directions for placing it in the oven.

# Menu Options

## 15 Minute Recipes and From The Pantry

15 Minute Recipes and From the Pantry each offer five simple-to-prepare but great tasting meals. Follow the specific directions on the Recipe Card and in the display.

For example, to use 15 Minute Recipes to cook Saucy Chicken.

1. Touch the **15 MINUTE RECIPES** key. SEE LABEL SELECT RECIPE NUMBER.
2. See the Menu Label. Select the desired food by touching the number key. For example: Touch number **1** for Saucy Chicken. Follow the Recipe Card for ingredients and instructions. SEE RECIPE CARD PRESS START.

3. Touch the **START** key.
4. When the oven stops, the display will show the instruction number on the Recipe Card. Follow the instructions on the Recipe Card. CHECK RECIPE INSTRUCTIONS 2 PRESS START.
5. Touch the **START** key.
6. At the end, the display will show the instruction number on the Recipe Card. Follow the instructions on the Recipe Card. CHECK RECIPE INSTRUCTIONS 3.

## From The Pantry (**RECIPES SERVE 6**)

### 1. Saucy Chicken

1. Place in a 3 quart casserole:
  - 1 tablespoon oil
  - 1/2 pound mushrooms, sliced
  - 1 onion, chopped
  - 1 tablespoon minced garlicStir well and cover. Touch **FROM THE PANTRY** and number **1** to select SAUCY CHICKEN, then touch **START**.
2. Blend together:
  - 8 ounces reduced fat cream cheese, softened
  - 1/4 cup milk
3. Stir into the cream cheese mixture:
  - 1 10 ounce package of frozen peas
  - 2 cups cooked thinly sliced chicken breastSalt and pepper to taste  
At pause, drain liquid from mushrooms, etc. Add cream cheese/peas/chicken mixture and stir together.  
Re-cover. Touch **START**.
4. At the end, stir in 1 cup shredded Monterey jack cheese.  
*Serve on top of baked potatoes or cooked pasta.*

### 2. Hawaiian Pork

1. Place in a 3 quart casserole:
  - 1 tablespoon oil
  - 1 pound boneless pork loin, cut into 1 inch strips, seasoned with salt and pepperStir well and cover. Touch **FROM THE PANTRY**, number **2** to select HAWAIIAN PORK and then touch **START**.
2. Combine well in a large bowl:
  - 1 cup peach or apricot preserves
  - 1/4 cup barbecue sauce
  - 2 tablespoons soy sauce
  - 2 tablespoons cornstarch
  - 1 cup coarsely chopped onionsAt pause, add preserves/barbecue mixture and stir together well.  
Re-cover. Touch **START**.
3. At pause, add:
  - 1 8 ounce can sliced water chestnuts, drained
  - 1 green pepper, seeded and cut into 2 inch thin strips
  - 1 red pepper, seeded and cut into 2 inch thin strips
  - 1 20 ounce can pineapple chunks, drainedStir to combine. Re-cover. Touch **START**.
4. At the end, stir again.  
*Serve on cooked rice.*

# Menu Options

## From The Pantry (RECIPES SERVE 6) CONTINUED

### 3. Fiesta Chili

1. Place in a 3 quart casserole:

- 1 1/4 pounds ground turkey
- 1/2 cup diced onions
- 1/2 cup diced red pepper

Break up turkey and stir in onions and red pepper. Cover. Touch **FROM THE PANTRY**, number **3** to select FIESTA CHILI and then touch **START**.

2. At pause, drain and add to the casserole:

- 8 ounces chunky salsa
- 1 11 ounce can of Mexican corn, drained
- 1 15 ounce can chili with beans
- 1-3 teaspoons chili powder

Stir together well. Re-cover. Touch **START**.

3. At the end, stir well.

*Serve over cooked rice or nacho chips. Top with 2 cups shredded Monterey jack or cheddar cheese.*

### 4. Glazed Salmon

1. Combine:

- 1/4 cup orange juice concentrate
- 2 tablespoons honey mustard
- 1 tablespoon grated fresh ginger or 2 teaspoons ground ginger

2. Place in 7" x 11" glass casserole:

- 1 1/2 pounds salmon fillet

Drizzle 1/2 of the orange mixture over top of salmon.

Cover with plastic wrap. Touch **FROM THE PANTRY**, number **4** to select GLAZED SALMON and then touch **START**.

3. At pause, place around edge of salmon:

- 3 cups broccoli florets
- 1 red pepper, cut into thin strips

Drizzle remaining orange mixture over vegetables. Top all with 2 tablespoons toasted sesame seeds. Touch **START**.

4. At the end, allow to stand, covered, for 3 to 5 minutes.

*Serve with buttered rice, pasta or potatoes garnished with parsley.*

### 5. Healthy Frittata

1. Grease 9" pie plate. Place in it:

- 1/2 pound mushrooms, sliced
- 3/4 cup chopped onion
- 1 tablespoon minced garlic
- 1/4 pound chopped low-fat smoked sausage

Cover with plastic wrap. Touch **FROM THE PANTRY** and number **5** to select HEALTHY FRITTATA, then touch **START**.

2. At pause, drain and set aside.

In a medium bowl, combine and stir together well:

- 3 large eggs
- 1/2 cup nonfat sour cream
- 1 tablespoon Dijon mustard
- 1/2 teaspoon salt
- 1/8 teaspoon pepper

3. Add and stir together:

- 1/2 10 ounce package frozen chopped spinach, thawed and squeezed dry
- 1 cup shredded Swiss cheese

Pour mixture in bowl over top of mushroom/onion/sausage mixture. Mix together carefully.

Do not cover. Touch **START**.

4. At the end, remove from oven and allow to stand for 3 to 5 minutes.

*Serve with tossed salad and sliced tomatoes for brunch.*

# Menu Options

## 15 Minute Recipes (RECIPES SERVE 6)

### 1. Beef Wraps

1. Place in a 2 quart casserole:
  - 1 pound ground beefBreak apart and cover. Touch **15 MINUTE RECIPES** and number **1** to select BEEF WRAPS, then touch **START**.
2. At pause, drain the fat and break the ground beef into small pieces. Add it to the casserole:
  - 1 10 ounce package frozen chopped spinach, thawed and drained
  - 1 1/2 cups salsa
  - 1-3 teaspoons chili powderStir together well. Re-cover. Touch **START**.
3. At the end, stir well and place in 8 warmed corn tortillas. Top with 1 cup shredded cheddar cheese.

### 2. Mexican Chicken

1. Place in layers in a 3 quart casserole:
  - 2 cups instant rice
  - 1 cup prepared fajita sauce mixed with 1/2 cup chicken broth or bouillon
  - 2 10 ounce packages frozen seasoning mix (onion, peppers, parsley and celery)
  - 1 pound boneless chicken breast, cut into 1 inch thin stripsCover. Touch **15 MINUTE RECIPES**, number **2** to select MEXICAN CHICKEN and then touch **START**.
2. At pause, stir together being sure that chicken strips are separated and mixed into the rice/sauce. Re-cover. Touch **START**.
3. At the end, stir.  
*Serve with buttered green beans and toasted tortillas.*

### 3. Italian Salad

1. To cook pasta:  
Place in 3 quart casserole:
  - 6 cups very hot tap waterCover. Touch **15 MINUTE RECIPES** and number **3** to select ITALIAN SALAD, then touch **START**.
2. At pause, add:
  - 8 ounces tricolored rotini or fusilli pasta
  - 1 teaspoon salad oilDo not cover. Touch **START**.
3. At the end, drain pasta and set aside.  
To cook chicken:  
Place in greased 9" pie plate:
  - 1 pound boneless chicken breast, cut into 1 inch thin stripsCover. Touch **START**.
4. At pause, rearrange, moving less done pieces to the outside of the pie plate.  
Re-cover. Touch **START**.
5. Drain and set aside.  
To make salad:  
Place in large salad bowl:
  - Cooked rotini or fusilli
  - Cooked chicken breast
  - 2 tomatoes, cut into eighths
  - 1/2 cup sliced black olives
  - 1 cup mozzarella cheese, shredded
  - 1/4 cup red onion, chopped
  - 3/4-1 cup oil-vinegar type dressing with pestoToss together to coat all pieces.  
*Serve immediately or chill to serve later. Ideal when served with warm crusty rolls.*

# Menu Options

## 15 Minute Recipes (RECIPES SERVE 6) CONTINUED

### 4. Tuna Macaroni

- To cook macaroni:  
Place in 3-quart casserole:  
6 cups very hot tap water  
Cover. Touch **15 MINUTE RECIPES** and number **4** to select TUNA MACARONI, then touch **START**.
  - At pause, add:  
2 cups elbow macaroni  
1 teaspoon salad oil  
Do not cover. Touch **START**.
  - At the end, drain macaroni and set aside in the casserole.  
Combine in a bowl:  
1 can cream of celery soup
- $\frac{1}{2}$  cup milk  
 $\frac{1}{2}$  cup nonfat sour cream
- Cover. Touch **START**.  
Add to macaroni in casserole:  
Soup/milk/sour cream mixture  
1 6  $\frac{1}{2}$  ounce can solid white water packed tuna fish, drained and flaked  
1 cup frozen peas  
1 cup shredded cheddar cheese  
Salt and pepper to taste
- Stir together until well mixed. Cover. Touch **START**.
- At the end, stir again.  
*Serve with fresh carrot sticks, tossed salad and dinner rolls.*

### 5. Garden Medley

- Place in a 2  $\frac{1}{2}$  quart casserole:  
1 pound peeled baking potatoes, cut into eighths and thinly sliced  
1 14  $\frac{1}{2}$  ounce can diced tomatoes  
2 teaspoons minced garlic  
1 teaspoon thyme leaves  
Cover with a lid. Touch **15 MINUTE RECIPES** and number **5** to select GARDEN MEDLEY, then touch **START**.
- At pause, stir well and add:  
1 16 ounce package frozen stir fry mixed vegetables  
2 cups thinly sliced summer squash  
Re-cover. Touch **START**.
- At the end, sprinkle top with 4 ounces shredded cheddar cheese.  
*Serve with spinach salad and chilled melon.*

## Defrost

Defrost automatically defrosts all the foods found in the Super Defrost and Compu Defrost Charts.

### Super Defrost

Super Defrost rapidly defrosts specific foods and weights found in the Super Defrost Chart (number 1-3). For these choices, it is not necessary to enter the weight.

- Touch the **DEFROST** key. SEE LABEL SELECT FOOD NUMBER.
- See the Menu Label. Select desired food by touching the number key. For example: Touch number 2 for boneless poultry. 1.0 POUND BONELESS CHICKEN PRESS START.
- Touch the **START** key.  
The oven will stop so the food can be checked.  
The display will show: TURN OVER SEPARATE INTO PIECES. Close the door.

- Touch the **START** key.
- After the defrost cycle ends, follow the directions. LET STAND 3-5 MINUTES.

### NOTES:

- To defrost other foods above or below the weights allowed on the Super Defrost and Compu Defrost Charts, use time and 30% power. See Manual Defrost on page 9.
- Any setting in Defrost can be programmed with More or Less Time Adjustment. Touch the **POWER LEVEL** key once or twice before touching **START** key.
- Touch the **SETUP/HELP** key when the HELP indicator is lighted in the display for a helpful hint.
- If you attempt to enter more or less than the amount indicated in the Compu Defrost Chart, an error message will appear in the display.

# Menu Options

## Super Defrost Chart

**\*It is not necessary to enter amount.**

Food	Amount	Procedure
1. Ground meat*	1.0 lb.	At pause, turn over, remove any thawed pieces and break the remainder apart. At the end, let stand, covered, for 3 to 5 minutes.
2. Boneless chicken*	1.0 lb.	At pause, turn over and separate into pieces. At the end, let stand, covered, for 3 to 5 minutes.
3. Bone-in chicken pieces*	2.0 lb.	At pause, turn over and separate into pieces. At the end, let stand, covered, for 3 to 5 minutes.

### NOTE FOR SUPER DEFROST:

Super Defrost provides just enough defrosting so that the foods can be used in recipes or for cooking. There will be some ice crystals remaining.

## Compu Defrost

1. Touch the **DEFROST** key. SEE LABEL SELECT FOOD NUMBER.
2. See the Menu Label. Select the desired food by touching the number key. For example: touch number **5** for steak. STEAKS CHOPS OR FISH ENTER WEIGHT IN POUNDS. Enter the weight by touching the number keys. For example: touch number **2** and **0** for 2.0 lb. 2.0 POUNDS PRESS START.
3. Touch the **START** key.  
The oven will stop so the food can be checked. The display will show: TURN FOOD OVER COVER EDGES.
4. After the 1st stage, open the door. Turn the steak over and shield any warm portions. Close the door. Touch the **START** key.
5. After the 2nd stage, open the door. Shield any warm portions. CHECK FOOD COVER EDGES. Close the door. Touch the **START** key.
6. After defrost cycle ends, follow the directions. LET STAND COVERED.

## Compu Defrost Chart

Food	Amount	Procedure
4. Ground meat	.5 - 3.0 lb.	Remove any thawed pieces after each stage. Let stand, covered, for 5 to 10 minutes.
5. Steaks, chops or fish	.5 - 4.0 lb.	After each stage, rearrange and if there are warm or thawed portions, shield with small flat pieces of aluminum foil. Remove any meat or fish that is almost defrosted. Let stand, covered, for 10 to 20 minutes.
6. Chicken pieces	.5 - 3.0 lb.	After each stage, rearrange the pieces or remove portions should they become warm or thawed. Let stand, covered, for 10 to 20 minutes.
7. Roast	2.0 - 4.0 lb.	Start defrosting with the fat side down. After each stage, turn the roast over and shield the warm portions with aluminum foil. Let stand, covered, for 30 to 60 minutes.
8. Casserole or soup	1 - 8 cups	After the audible signal, stir if possible. At the end, stir well and let stand, covered, for 5 to 10 minutes.

### NOTE FOR COMPU DEFROST:

Check foods when the oven signals. After the final stage, small sections may still be icy. Let stand to continue thawing. Do not defrost until all ice crystals are thawed.

Shielding prevents cooking from occurring before the center of the food is defrosted. Use small smooth strips of aluminum foil to cover the edges and thinner sections of the food.



# Menu Options

## Beverages

Beverages enables you to reheat coffee or tea to a more suitable drinking temperature or to make instant coffee or tea.

1. Touch the **BEVERAGES** key. SEE LABEL SELECT FOOD NUMBER.
2. See the Menu Label. Select desired setting by touching the number key. For example: touch number **2** to reheat coffee. REHEAT CONTINUE PRESSING 2 FOR CUPS. Enter quantity by touching same number key **2** repeatedly. For example: Touch number **2** key 4 times.
3. Touch the **START** key.

## Beverages Chart

Food	Amount	Procedure
1. To make coffee or tea	1 - 4 cups	Use this setting for heating COLD TAP WATER to a temperature somewhat below the boiling point to make instant coffee or tea. Touch the number <b>1</b> key for 1 cup increase per touch. Stir the liquid briskly before and after heating to avoid "eruption".
2. To reheat beverage	.5 - 2.0 cups	This setting is good for restoring a cooled beverage to a better drinking temperature. Touch the number <b>2</b> key for a 0.5 cup increase per touch. Stir after heating.

### NOTES:

- Beverages can be programmed with More or Less Time Adjustment. Touch the **POWER LEVEL** key once or twice after selecting the amount. See page 20.
- Touch **SETUP/HELP** key when the HELP indicator is lighted in the display, for a helpful hint.
- More or less than the quantity listed in the chart should be made following the guidelines in any microwave book.

# Other Features

## Timer

To set the timer:

1. Touch **TIMER/CLOCK**.
2. Touch the number **1** key.
3. Touch the number keys to enter the time.
4. Touch **TIMER/CLOCK**. The timer will count down.

After the timer cycle ends, the display will show: **TIMER IS FINISHED**.

### NOTE:

To cancel the timer during programming, touch the **STOP/CLEAR** key.

## Easy Minute

Easy Minute allows you to cook for a minute at 100% by simply touching the **EASY MINUTE** key. You can also extend cooking time in multiples of 1 minute by repeatedly touching the **EASY MINUTE** key during manual cooking.

### NOTES:

- To use Easy Minute, touch the key within 3 minutes after cooking, closing the door, touching the **STOP/CLEAR** key or during cooking.
- Easy Minute cannot be used with Sensor Cooking, Menu Options or Keep Warm.

# Other Features

## Setup/Help

Setup/Help provides 4 features which make using your oven easy because specific instructions are provided on the display.

### 1. Child Lock

The Child Lock prevents unwanted oven operation, for example by small children. The oven can be set so that the control panel is deactivated or locked. To set, touch **SETUP/HELP**, the number **1** and **START**. Should a key be touched, **CHILD LOCK** will appear in the display.

To cancel, touch **SETUP/HELP** and **STOP/CLEAR**.

### 2. Audible Signal Elimination

If you wish to have the oven operate with no audible signals, touch **SETUP/HELP**, the number **2** and **STOP/CLEAR**.

To cancel and restore the audible signal, touch **SETUP/HELP**, the number **2** and **START**.

### 3. Auto Start

Use this feature if you wish to program the microwave oven to begin cooking automatically at a designated time of day. Before setting, check to make sure the clock is showing the correct time of day.

For example, to start cooking a stew for 20 minutes on 50% at 4:30:

1. Touch the **SETUP/HELP** and number **3**.
2. Enter the start time by touching the number keys **4** **3** **0**.
3. Touch the **TIMER/CLOCK** key.
4. Enter the cooking time **2** **0** **0** **0**. Touch the **POWER LEVEL** key six times for 50% power.
5. Touch the **START** key.

#### NOTES:

- Auto Start can be used for manual cooking if the clock is set.
- If the oven door is opened after programming Auto Start, it is necessary to touch the **START** key for Auto Start time to appear in the readout so that the oven will automatically begin programmed cooking at the chosen Auto Start time.
- Be sure to choose foods that can be left in the oven safely until the Auto Start time. Acorn or butternut squash are often a good choice.
- If you wish to know the time of day, simply touch

the Clock key. As long as your finger is touching the Clock key, the time of day will be displayed.

### 4. Language/Weight Selection

The oven comes set for English and U.S. Customary Unit-pounds. To change, touch **SETUP/HELP** and the number **4**. Continue to touch the number **4** key until your choice is selected from the table below. Then, touch **START** key.

Touch number **4** key for language and standard of weight.

Touch number 4	Language	Standard Of Weight	Diaplay
Once	English	LBS	ENGLISH LB
Twice	English	KG	ENGLISH KG
3 times	Spanish	LBS	ESPAÑOL LB
4 times	Spanish	KG	ESPAÑOL KG
5 times	French	LBS	FRANCAIS LB
6 times	French	KG	FRANCAIS KG

## Help

Each setting of Sensor Cooking has a cooking hint. If you wish to check, touch **SET UP/HELP** whenever HELP is lit in the interactive display for these and other manual operation hints.

## More Or Less Time Adjustment

Should you discover that you like any of the Sensor, Reheat or Defrost settings slightly more done, touch the **POWER LEVEL** key once before touching the **START** key. The display will show **MORE**.

For slightly less done, touch the **POWER LEVEL** key twice before touching **START**. The display will show **LESS**.

## Keep Warm

Keep Warm allows you to keep food warm up to 30 minutes. To use, simply touch the **KEEP WARM** key and enter the appropriate time (up to 30 minutes). You can also program Keep Warm with manual cooking to keep food warm continuously after cooking.

### Direct Use

1. Touch the **KEEP WARM** key.
2. Enter the desired time by touching the number keys. To enter 30 minutes, touch **3** **0** **0** **0**.
3. Touch the **START** key.

# Other Features

The microwave oven will start. The display will show 30:00 and count down. **KEEP WARM** will be displayed intermittently during the count down.

## With Manual Cooking

1. Enter the desired cooking time and power level.
2. Touch the **KEEP WARM** key.
3. Enter the desired warming time, up to 30 minutes.
4. Touch the **START** key.

The operation will start. When the cooking time is complete, a long tone will sound and Keep Warm will start. The display will count down. **KEEP WARM** will be displayed intermittently during the count down for 15 minutes.

### NOTE:

- Keep Warm cannot be programmed with Popcorn, Reheat, Sensor Cooking, Defrost or Reheat.

---

## Multiple Sequence Cooking

---

Your microwave oven can be programmed for up to 4 automatic cooking sequences, switching from one power level setting to another automatically.

Sometimes cooking directions tell you to start on one power level and then change to a different power level. Your microwave oven can do this automatically.

1. First enter the cooking time. Then touch the **POWER LEVEL** key once for 100% cooking or repeat touching the **POWER LEVEL** key for a lower power level.
2. Enter the second cooking time. Touch the **POWER LEVEL** key repeatedly for desired level. You can follow this procedure up to 4 times.
3. Touch the **START** key.

### NOTES:

- If 100% is selected as the final sequence, it is not necessary to touch the **POWER LEVEL** key.
- If you wish to know the power level during cooking, simply touch the **POWER LEVEL** key. As long as your finger is touching the **POWER LEVEL** key, the power level will be displayed.
- Keep Warm can be programmed even if 4 cooking sequences have been set.

---

## Start

---

Start allows you to cook at 100% power by touching the **START** key continuously. Start is ideal for melting cheese, bringing milk to just below boiling, etc. The maximum cooking time is 3 minutes.

1. Continuously touch the **START** key. The cooking time will begin counting up.
2. When the cheese is melted to the desired degree, remove your finger from the **START** key. The oven stops immediately.

### NOTES:

- Note the time it takes for frequently used foods and program that time in the future.
- Touch the **START** key within 3 minutes after cooking, opening and closing the door or touching the **STOP/CLEAR** key.
- Start can only be used 3 times in a row. If more times are needed, open and close door or touch the **STOP/CLEAR** key.

---

## Demonstration Mode

---

To demonstrate, touch **TIMER/CLOCK**, the number **0** and then touch the **START** key and hold for 3 seconds. **DEMO ON DURING DEMO NO OVEN POWER** will appear in the display. Cooking operations and specific special features can now be demonstrated with no power in the oven. For example, touch the **EASY MINUTE** key and the display will show 1:00 and count down quickly to **END**.

To cancel, touch **TIMER/CLOCK**, then the number **0** and **STOP/CLEAR**. If easier, unplug the oven from the electrical outlet and replug.

# Cleaning and Care

**Disconnect the power cord before cleaning or leave the door open to inactivate the microwave oven during cleaning.**

---

## Control Panel

---

Care should be taken in cleaning the control panel. If the control panel becomes soiled, open the oven door before cleaning. Wipe the panel with a cloth dampened slightly with water only. Dry with a soft cloth. Do not scrub or use any sort of chemical cleaners. Close door and touch **STOP/CLEAR**.

---

## Door

---

Wipe the window on both sides with a damp cloth to remove any spills or splatters. Metal parts will be easier to maintain if wiped frequently with a damp cloth.

Cleaners which are marked specifically for use with stainless steel may be used for the stainless steel model. Follow package directions exactly. Avoid the use of any harsh cleaners or one not marked for use with stainless steel because they may stain, streak or dull the door surface.

---

## Other Exterior Surfaces

---

The outside surface is painted. Clean the outside with mild soap and water; rinse and dry with a soft cloth. Do not use any type of household or abrasive cleaner.

---

## Waveguide Cover

---

The waveguide cover is made from mica so it requires special care. Keep the waveguide cover clean to assure good oven performance. Carefully wipe with a damp cloth any food splatters from the surface of the cover immediately after they occur. Built-up splashes may overheat and cause smoke or possibly catch fire. Do not remove the waveguide cover.

---

## Turntable/Turntable Support

---

The turntable and turntable support can be removed for easy cleaning. Wash them in mild, sudsy water; for stubborn stains use a mild cleanser and non abrasive scouring sponge. They are also dishwasher-safe. Use the upper rack of the dishwasher. The turntable motor shaft is not sealed, so excess water or spills should be wiped up immediately.

---

## Other Interior Surfaces

---

Cleaning is easy because little heat is generated to the interior surfaces; therefore, there is no baking, setting of spills or spattering. To clean the interior surfaces, wipe with a soft cloth and warm water. **DO NOT USE ABRASIVE OR HARSH CLEANERS OR SCOURING PADS.** For heavier soil, use baking soda or a mild soap; rinse thoroughly with hot water. **NEVER SPRAY OVEN CLEANERS DIRECTLY ONTO ANY PART OF THE OVEN.**

---

## Odor Removal

---

Occasionally, a cooking odor may remain in the oven. To remove, combine 1 cup water, grated peel and juice of 1 lemon and several whole cloves in a 2 cup glass measuring cup. Boil for several minutes using 100% power. Allow to set in oven until cool. Wipe interior with a soft cloth.

# Service Call Check

Please check the following before calling for service:

Place one cup of water in a glass measuring cup in the oven and close the door securely.  
Operate the oven for one minute at HIGH 100%.

A Does the oven light come on?	YES _____	NO _____
B Does the cooling fan work? (Put your hand over the rear ventilating openings.)	YES _____	NO _____
C Does the turntable rotate? (It is normal for the turntable to turn in either direction.)	YES _____	NO _____
D Is the water in the oven warm?	YES _____	NO _____

If "NO" is the answer to any of the above questions, please check electrical outlet, fuse and/or circuit breaker. If they are functioning properly, CONTACT YOUR NEAREST DACOR AUTHORIZED SERVICER.

**A microwave oven should never be serviced by a "do-it-yourself" repair person.**

**NOTE:**

If the time appearing on the display is counting down very rapidly, check Demonstration Mode on page 21 and cancel.

## Specifications

AC Line Voltage:	Single phase 120V, 60Hz, AC only
AC Power Required:	1500 Watts, 13.0 amps.
Output Power:*	1100 Watts
Frequency:	2450 MHz
Outside Dimensions:	24"(W) x 13 <sup>3</sup> / <sub>8</sub> "(H) x 19 <sup>1</sup> / <sub>4</sub> "(D)
Cavity Dimensions:	17 <sup>3</sup> / <sub>8</sub> "(W) x 10 <sup>1</sup> / <sub>2</sub> "(H) x 18 <sup>5</sup> / <sub>8</sub> "(D)
Oven Capacity:**	2.0 Cu. Ft.
Cooking Uniformity:	Turntable system, diameter 16"
Weight:	Approx. 46 lb

\* The International Electrotechnical Commission's standardized method for measuring output wattage. This test method is widely recognized.


\*\* Internal capacity is calculated by measuring maximum width, depth and height. Actual capacity for holding food is less.

In compliance with standards set by:

NHW – Department of National Health and Welfare of Canada.

FCC – Federal Communications Commission authorized.

DHHS – Complies with Department of Health and Human Services (DHHS) rule, CFR, Title 21, Chapter I, Subchapter J.

 – This symbol on the nameplate means the product is listed by Underwriters Laboratories, Inc. for use in USA or Canada.

# Product Warranty

## What Is Covered

---

CERTIFICATE OF WARRANTIES

DACOR MICROWAVE OVEN

WITHIN THE FIFTY STATES OF THE U.S.A., THE DISTRICT OF COLUMBIA AND CANADA\*:

FULL ONE YEAR WARRANTY

If your DACOR product fails to function within one year of the original date of purchase, due to a defect in material or workmanship, DACOR will remedy the defect without charge to you or subsequent users. The owner must provide proof of purchase upon request and have the appliance accessible for service.

\* Warranty is null and void if non-CSA approved product is transported from the U.S.

OUTSIDE THE FIFTY STATES OF THE U.S.A., THE DISTRICT OF COLUMBIA AND CANADA:

LIMITED FIRST YEAR WARRANTY

If your DACOR product fails to function within one year of the original date of purchase, due to a defect in material or workmanship, DACOR will furnish a new part, F.O.B. factory, to replace the defective part. All delivery, installation and labor costs are the responsibility of the purchaser. The owner must provide proof of purchase upon request and have the appliance accessible for service.

---

## What Is Not Covered

---

- Failure of the product caused by faulty installation, improper usage, or neglect of required maintenance.
- Service calls to educate the customer in the proper use and care of the product.
- Failure of the product when used for commercial, business, rental or any application other than for residential consumer use.
- Replacement of house fuses or fuse boxes, or resetting of circuit breakers.
- Damage to the product caused by accident, fire, flood or other acts of God.
- Breakage, discoloration or damage to glass, metal surfaces, plastic components, trim, paint, porcelain or other cosmetic finish, caused by improper usage or care, abuse, or neglect.

**THE REMEDIES PROVIDED FOR IN THE ABOVE EXPRESS WARRANTIES ARE THE SOLE AND EXCLUSIVE REMEDIES THEREFORE NO OTHER EXPRESS WARRANTIES ARE MADE, AND OUTSIDE THE FIFTY STATES OF THE UNITED STATES AND THE DISTRICT OF COLUMBIA, ALL IMPLIED WARRANTIES, INCLUDING BUT NOT LIMITED TO, ANY IMPLIED WARRANTY OF MERCHANTABILITY OR FITNESS FOR A PURCHASE. IN NO EVENT SHALL DACOR BE LIABLE FOR INCIDENTAL EXPENSE OR CONSEQUENTIAL DAMAGES. NO WARRANTIES, EXPRESS OR IMPLIED, ARE MADE TO ANY BUYER FOR RESALE.**

Some states do not allow limitations on how long an implied warranty lasts or do not allow the exclusion or limitation of incidental or consequential damages, so the above limitations or exclusions may not apply to you. This warranty gives you specific legal rights, and you may also have other rights that vary from state to state.



# MODE D'EMPLOI

---

# FOUR À MICRO-ONDES

Modèle DMW2420  
S = Acier inoxydable  
B = Noir



## TABLE DES MATIÈRES

IMPORTANTES CONSIGES DE SÉCURITÉ .....	1-2
CE QUE VOUS DEVEZ SAVOIR .....	3-6
NOM DES PIÈCES .....	7
AVANT L'USAGE .....	8
FONCTIONNEMENT MANUEL.....	9
SENSOR COOKING .....	10-11
FROZEN FOODS .....	12
MENU OPTIONS .....	12-20
AUTRES PARTICULARITÉS PRATIQUES .....	20-22
NETTOYAGE ET ENTRETIEN.....	23
APPEL DE SERVICE .....	24
FICHE TECHNIQUE.....	24
GARANTIE DU PRODUIT .....	25

The Dacor logo is presented in a bold, lowercase, sans-serif font. The letters are white and set against a solid black rectangular background.

Chère cliente, cher client :

Félicitations pour votre achat de l'un des tout derniers produits Dacor®! Notre combinaison de caractéristiques, de style et de rendement font de nous The Life of the Kitchen™ (La vie de la cuisine) et un produit qui embellit votre intérieur.

Afin de vous familiariser avec les commandes, les fonctions et tout le potentiel de votre nouvel appareil, lire attentivement le présent Manuel d'utilisation et d'entretien, en commençant par la section Instructions importantes de sécurité.

Tous les appareils ménagers Dacor sont conçus et fabriqués avec qualité et fierté, deux mots qui caractérisent les valeurs de notre compagnie. Pour tout problème avec votre produit, veuillez d'abord consulter la section Avant de demander une réparation du présent guide. Vous y trouverez des suggestions et solutions utiles qui pourront vous éviter une réparation.

Les commentaires de nos clients nous aident à constamment améliorer nos produits et services alors n'hésitez pas à communiquer avec notre équipe du service à la clientèle pour tous vos besoins liés au support technique.

Équipe de service à la clientèle Dacor  
14425 Clark Avenue  
City of Industry, CA 91745

Téléphone : (800) 793-0093  
Télécopieur : (626) 403-3130  
Heures d'ouverture : Du Lundi au Vendredi  
De 6 h à 17 h, heure normale du Pacifique  
Site web : [www.dacor.com](http://www.dacor.com)

Merci d'avoir choisi Dacor pour votre domicile. Nous sommes une compagnie construite par des familles pour les familles et nous nous engageons à servir la vôtre. Nous sommes convaincus que votre nouveau produit Dacor fournira un haut niveau de rendement et vous donnera entière satisfaction pour les nombreuses années à venir.

Sincères salutations,

*Dacor*

# Importantes Consignes de Sécurité

**Installateur :** Veuillez laisser ce guide avec cet appareil.

**Consommateur :** Lire ce manuel d'usage et soin complètement avant d'utiliser cet appareil. L'épargner pour la référence future. Il contient l'usage important et soigne des informations. Garder votre reçu attestant de l'achat ou votre contrôle annulé. La preuve de date d'achat originale est exigée pour le service de garantie.

**Pour les informations de service et garantie, voir des pages 25 et couvercle arrière.**

Si vous avez n'importe quelles questions (autrement que les questions de garantie), l'appel :

Service à la clientèle de Dacor

(800) 793-0093 (Etats-Unis et le Canada)

Lundi - Vendredi 6:00 AM au temps Pacifique de 5:00 P.M

Accès par internet : [www.Dacor.com](http://www.Dacor.com)

Ayez l'identification complète de modèle et de numéro de série de votre appareil prêt.

La plaque de nom inclut le modèle et le numéro de série. L'étiquette est localisée sur le supérieur droit de faceplate du four à micro-ondes.

Numéro de Modèle \_\_\_\_\_

Numéro de Série \_\_\_\_\_

Date D'achat Marchand \_\_\_\_\_

Puisque nous améliorons continuellement la qualité et l'exécution de nos produits, nous pouvons faire des changements à l'appareil sans mettre à jour ce manuel. Visiter [www.Dacor.com](http://www.Dacor.com) pour télécharger la dernière version de ce manuel.

## Ce qui vous devez savoir consignes de sécurité

Instructions de sûreté d'avertissement et importantes apparaître en ce livre ne sont pas censés couvrir toutes les conditions possibles et situations qui peuvent se produire. Le bon sens, l'attention et le soin doivent être employés en installant, en maintenant ou en actionnant un appareil.

Entrez en contact avec toujours le fabricant au sujet des problèmes ou des conditions que vous ne comprenez pas.

## Symboles De Sûreté, Mots, Étiquettes

### **DANGER**

Risques immédiats qui auront comme conséquence des blessures ou la mort graves.

### **ADVERTISSEMENT**

Risques ou pratiques peu sûres qui POURRAIENT avoir comme conséquence des blessures ou la mort graves.

### **ATTENTION**

Risques ou pratiques peu sûres qui POURRAIENT avoir comme conséquence des blessures ou des dégâts matériels mineurs.

### **ADVERTISSEMENT**

## MESURES POUR ÉVITER UNE EXPOSITION POSSIBLE À UNE ÉNERGIE MICRO-ONDE EXCESSIVE

- (a) Ne pas essayer de faire fonctionner ce four avec la porte ouverte puisque le fonctionnement avec la porte ouverte peut entraîner une exposition dangereuse à l'énergie micro-onde. Il est important de ne pas enlever ou modifier les verrouillages de sécurité.
- (b) Ne pas placer d'objet entre l'avant du four et la porte ou laisser s'accumuler de la saleté ou des résidus de nettoyant sur les surfaces d'étanchéité.
- (c) Ne pas faire fonctionner le four s'il est endommagé. Il est particulièrement important que la porte du four ferme bien et qu'il n'y ait pas de dommages: (1) à la tête du tiroir (tordue), (2) aux glissières et verrous (brisés ou avec du jeu), (3) aux joints et aux surfaces d'étanchéité du tiroir.
- (d) Seul du personnel qualifié en réparations doit ajuster ou réparer ce four.

# IMPORTANTES CONSIGNES DE SÉCURITÉ

## **WARNING**

Lors de l'utilisation l'appareil, il faut prendre des mesures de sécurité élémentaires, y compris les suivantes :

- ⚠ ADVERTISSEMENT** Pour réduire le risque de brûlures, de choc électrique, de blessures personnelles et d'exposition excessive à l'énergie micro-onde :
1. Lire toutes les directives avant d'utiliser l'appareil.
  2. Lire et suivre expressément les « MESURES POUR ÉVITER UNE EXPOSITION POSSIBLE À UNE ÉNERGIE MICRO-ONDE EXCESSIVE » à la page 1.
  3. Cet appareil doit être mis à la terre. Brancher seulement à une prise à trois broches. Se reporter aux «INSTRUCTIONS DE MISE À LA TERRE», page 3.
  4. Installer cet appareil uniquement selon les directives d'installation fournies.
  5. Certains produits comme les œufs entiers ou des contenants scellés —par exemple, des bocaux fermés— exploseront et ne doivent pas être chauffés au l'appareil.
  6. N'utiliser cet appareil que pour l'usage prévu comme décrit dans ce manuel. Ne pas utiliser de produits chimiques ou de vapeurs corrosives dans cet appareil. Cet appareil est spécifiquement conçu pour chauffer, cuire ou sécher de la nourriture. Il n'a pas été conçu pour un usage industriel ou de laboratoire.
  7. Comme tout appareil, une surveillance attentive est nécessaire quand des enfants l'utilisent.
  8. Ne pas faire fonctionner cet appareil si son cordon ou sa fiche sont endommagés, s'il ne fonctionne pas correctement ou s'il a été endommagé ou est tombé.
  9. Seul un personnel qualifié doit réparer cet appareil. Communiquer avec le réparateur Dacor autorisé le plus proche pour une inspection, une réparation ou in réglage.
  10. Ne couvrir ou bloquer aucune ouverture de cet appareil.
  11. Ne pas ranger ou utiliser cet appareil à l'extérieur. Ne pas utiliser ce produit près de l'eau —par exemple, près d'un évier de cuisine, dans un sous-sol humide, près d'une piscine ou autre endroit semblable.
  12. Ne pas immerger le cordon ou la prise dans l'eau.
  13. Tenir le cordon loin des surfaces chauffées.
  14. Ne pas laisser pendre le cordon de la table ou du comptoir.
  15. Voir les instructions pour le nettoyage de la surface de la porte à la page 23.
  16. Pour réduire le risque d'incendie dans la cavité du l'appareil:
    - a. Ne pas trop faire cuire les aliments. Rester prudemment près du four lorsqu'on utilise du papier, du plastique ou tout autre matériel combustible pour faciliter la cuisson.
    - b. Retirer les attaches de métal des sacs de papier ou de plastique avant de mettre les sacs au four.
    - c. Si les matériaux à l'intérieur du l'appareil prennent feu, garder la porte du four fermée, arrêter le four et couper l'électricité au fusible ou au panneau d'entrée.
    - d. Ne pas utiliser la cavité comme espace de rangement. Ne laisser ni papier, ni ustensiles de cuisson, ni aliments dans l'appareil lorsque l'appareil n'est pas utilisé.
  17. Des liquides comme l'eau, le café ou le thé peuvent chauffer au-delà du point d'ébullition sans qu'aucun bouillonnement n'apparaisse à cause de la tension de surface du liquide. Ainsi, quand le contenant est retiré du l'appareil, il peut ne pas y avoir d'ébullition ou de bouillonnement apparents. **IL PEUT EN RÉSULTER UN DÉBORDEMENT DES LIQUIDES TRÈS CHAUDS LORSQU'UNE CUILLER OU UN AUTRE USTENSILE EST PLONGÉ DANS LE LIQUIDE.**

Pour réduire le risque de blessures personnelles :

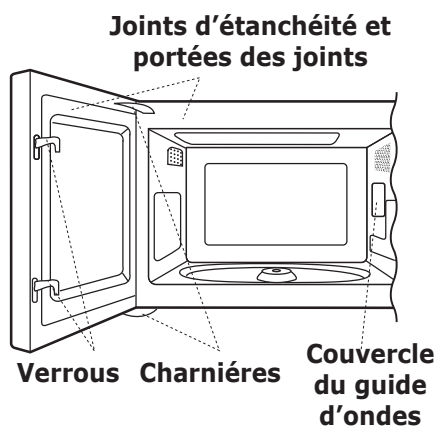
    - a. Ne pas trop chauffer le liquide.
    - b. Remuer le liquide et avant de le chauffer et à mi-cuisson.
    - c. Ne pas utiliser de contenants à bords droits et à goulot mince. Utiliser un bocal à large goulot.
    - d. Après le chauffage, laisser reposer le contenant dans le four à l'appareil pour au moins 20 secondes avant de le retirer.
    - e. Faire très attention lorsque vous mettez une cuillère ou un autre ustensile dans le contenant.
  18. Si la lumière l'appareil manque, consulter un RÉPARATEUR DACOR AUTORISÉ.

## LIRE ET CONSERVER CES DIRECTIVES

# Ce Que Vous Devez Savoir

## Du déballage et d'examiner votre four à micro-ondes

1. Retirer tous les matériaux d'emballage qui se trouvent à l'intérieur de la cavité du four; cependant, NE PAS ENLEVER LE COUVERCLE DU GUIDE D'ONDES qui se trouve sur la paroi droite de la cavité du four. Lire les pièces jointes et CONSERVER le manuel d'utilisation.
2. Retirer l'étiquette des caractéristiques, s'il y en a une. Vérifier que le four n'a subi aucun dommage, en particulier que la porte n'est ni tordue ni décentrée, que les joints et les surfaces d'étanchéité ne sont pas endommagés, que les charnières et les verrous ne



sont pas brisés ou desserrés et que la porte ou l'intérieur de la cavité ne porte aucune trace de coups. Si on constate quelque dommage que ce soit, ne pas faire fonctionner le four et communiquer avec le détaillant ou un BUREAU DE SERVICE DACOR AUTORISÉ.

## Choisir un emplacement pour votre four à micro-ondes sur le compteur

Un four étant un appareil d'usage fréquent, il est conseillé de choisir un emplacement commode. Dans la mesure du possible, prévoir un plan de travail à côté du four. Il faut prévoir un espace d'au moins 5 cm de chaque côté, au-dessus et à l'arrière du four pour la circulation d'air. Ne pas placer le four à proximité d'un endroit où il y a un dégagement de chaleur ou d'humidité; par exemple, à côté ou au-dessus d'une cuisinière électrique ou au gaz ou au-dessus d'un four encastré. La chaleur et l'humidité peuvent endommager les pièces électroniques ou mécaniques du four.

## De choisir un emplacement pour votre four s'intégré

intégré dans un cabinet ou un mur tout seul ou au-dessus du four de mur électrique ou au-dessus de chauffer le tiroir qui utilise la trousse de Dacor intégrée : AMTK27S (sans tache), AMTK27B (noir), AMTK30S (sans tache), AMTK36S (sans tache), AOMTK27S (sans tache), AOMTK27B (noir), AOMTK30S (sans tache), AOMTK30B (noir), AOMTK30G (lapisser gris).

## INSTRUCTIONS POUR LA MISE À LA TERRE

### ⚠ MISE EN GARDE

Un mauvais usage de la prise de terre peut causer des décharges électriques.

Cet appareil doit être mis à la terre. Ce four est équipé d'un cordon d'alimentation avec fil de mise à la terre, et d'une fiche de mise à la terre. Il faut le brancher dans une prise murale qui a été installée correctement et mise à la terre selon le Code national de l'électricité et les codes et décrets locaux. En cas de court-circuit électrique, la mise à la terre réduit les risques de choc électrique en permettant au courant de s'échapper par le fil de mise à la terre.

### Installation électrique

La tension d'alimentation est 120 volts, 60 Hz, CA seulement, 15 A ou plus et doit être protégée. Il est recommandé d'alimenter le four par un circuit séparé.

Le four est équipé d'une fiche de terre à trois broches. Il faut la brancher dans une prise murale correctement installée et mise à la terre. Si vous ne possédez que des prises à deux broches, demandez à un électricien de métier d'installer une prise murale qui convienne.

Un adaptateur à trois broches peut être utilisé temporairement si les codes électriques locaux le permettent. Suivre les instructions fournies sur l'emballage.

Le cordon d'alimentation est court pour éviter qu'on ne s'y empêtre ou qu'on tombe.

### Rallonge

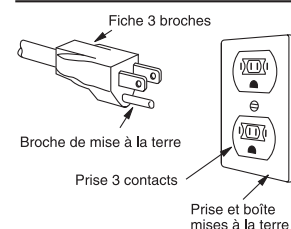
Si une rallonge est nécessaire, utiliser une rallonge à trois fils munie d'une fiche de terre à trois broches et d'une prise à trois fentes qui accepte la fiche du four à micro-ondes. La puissance nominale de la rallonge doit être de 115-120 volts CA, 15 ampères ou plus.

Faire attention de ne pas laisser dépasser le cordon du comptoir ou de la table, pour éviter que des enfants ne tirent dessus ou que quelqu'un ne s'y empêtre et tombe.

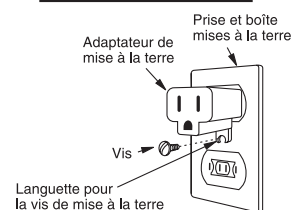
### REMARQUES :

- Pour toute question à propos de l'installation électrique ou de la mise à la terre, consulter un électricien

#### Branchement permanent et correct



#### Branchement temporaire



# Ce Que Vous Devez Savoir

de métier ou un réparateur qualifié.

- Ni Dacor ni le détaillant ne peuvent être tenus responsables des dommages au four ou des blessures causés par une installation qui ne répond pas aux normes.

## Interférence Radio ou Télévision

Si le four à micro-ondes provoque de l'interférence avec la radio ou la télévision, vérifier qu'il est branché sur un circuit électrique indépendant, en éloigner la radio ou la télévision le plus possible et vérifier la position et le signal de l'antenne de réception.

## Le four à micro-ondes

Ne JAMAIS se servir du four sans le plateau tournant et le support. Ne pas installer le plateau tournant à l'envers pour faire entrer dans le four un plat de grandes dimensions. Le plateau tourne dans les deux sens.

S'assurer à ce qu'il y ait TOUJOURS des aliments dans le four lorsqu'il est allumé, de sorte qu'ils absorbent l'énergie produite.

Quand on utilise le four à des niveaux de puissance inférieurs à 100 %, on peut entendre la mise en marche et l'arrêt du magnétron. Il est normal que l'extérieur du four soit chaud au toucher pendant la cuisson ou le réchauffement.

La condensation est un phénomène normal pendant la cuisson au four à micro-ondes.

L'humidité ambiante et la teneur en eau des aliments déterminent le degré de condensation à l'intérieur du four. En règle générale, les aliments couverts produisent moins de condensation que les aliments cuits à découvert. Veiller à ce que les événements à l'arrière du four soient toujours dégagés.

Ce four est conçu seulement pour la préparation des aliments. Il ne doit pas être utilisé pour sécher des vêtements ou des journaux.

La puissance de ce four est de 1 100 watts calculée par la méthode d'essai CEI. Vérifier la cuisson des aliments une minute ou deux avant la fin de la période minimum de cuisson indiquée sur les recettes et les emballages et, s'il y a lieu, augmenter le temps de cuisson.

## À propos de la cuisson aux micro-ondes

- Disposer les aliments avec soin. Placer la partie la plus épaisse des aliments vers l'extérieur du plat.
- Vérifier le temps de cuisson. Cuire les aliments pendant la plus courte période indiquée et prolonger la

cuisson au besoin. Des aliments trop cuits peuvent dégager de la fumée ou prendre feu.

- Recouvrir les aliments pendant la cuisson. Selon la recette ou le livre de cuisine, utiliser un essuie-tout, du papier ciré, un film plastique allant au micro-ondes ou un couvercle. Couvrir les aliments empêche les éclaboussures et leur permet de cuire de manière uniforme.
- Protéger les parties de viande ou de volaille très minces par des petits écrans en papier d'aluminium pour éviter qu'ils ne cuisent trop vite par rapport aux parties plus épaisses.
- Si possible, remuer les aliments de l'extérieur du plat vers le centre une ou deux fois pendant la cuisson.
- Retourner les aliments comme du poulet et des galettes de viande une fois au cours de la cuisson afin d'accélérer le processus. Il faut retourner les grosses pièces comme les rôtis au moins une fois.
- Au milieu de la cuisson, déplacer les aliments comme les boulettes de viande, de l'intérieur du plat vers l'extérieur, et du haut vers le bas.
- Prévoir du temps de repos. Retirer les aliments du four et, si possible, les remuer. Couvrir les aliments pendant ce temps pour leur permettre de finir de cuire.
- Vérifier la cuisson. Rechercher les signes qui indiquent que les aliments sont cuits à point.

Par exemple :

- La vapeur s'élève de toute la surface des aliments, pas seulement des bords.
- Les cuisses de poulet se détachent facilement.
- La viande et la volaille ne présentent plus de parties rosées.
- Le poisson est opaque et se défait facilement à la fourchette.

## À Propos Des Ustensiles Et Des Moyens De Couvrir Les Aliments

Il n'est pas nécessaire d'acheter une nouvelle batterie de cuisine. La plupart des ustensiles de votre cuisine peuvent être utilisés dans votre nouveau micro-onde. S'assurer que les ustensiles ne touchent pas les parois intérieures pendant la cuisson.

Se servir de ces ustensiles pour cuire et réchauffer sans danger aux micro-ondes :

- La vitrocéramique (Pyroceram®), comme Corningware®.
- Le verre résistant à la chaleur (Pyrex®)
- Les plastiques pour micro-ondes
- Les assiettes en papier pour micro-ondes



# Ce Que Vous Devez Savoir

- La céramique, la poterie, la porcelaine pour micro-ondes
- Les plats à brunir (ne pas dépasser pas les temps de préchauffage recommandés. Suivre les directives du fabricant).

Les articles suivants peuvent être utilisés pour le réchauffage très court des aliments qui contiennent peu de sucre ou de graisses :

- Le bois, la paille et l'osier

## Ne pas utiliser

- De casseroles et de plats de cuisson métalliques
- De plats à bordure métallique
- Du verre qui ne résiste pas à la chaleur
- De plastiques ne convenant pas aux micro-ondes (contenants de margarine)
- De produits en papier recyclé
- De sacs en papier brun
- De sacs pour la conservation des aliments
- D'attaches métalliques

Pour vérifier si un plat va au four à micro-ondes, le placer dans le four et mettre le four en marche à la puissance maximale pendant 30 secondes. Si le plat devient très chaud, il ne faut pas l'employer.

## Les articles suivants sont idéals pour couvrir :

- Les essuie-tout conviennent bien pour recouvrir les aliments pendant le réchauffage et pour absorber la graisse de cuisson du bacon.
- Le papier ciré peut être employé pour la cuisson et le réchauffage.
- Le film plastique destiné spécialement à l'usage du micro-onde peut être utilisé pour la cuisson et le réchauffage. Le film plastique ne doit JAMAIS entrer en contact avec les aliments. Faire une ouverture pour laisser la vapeur s'échapper.
- Les couvercles pour micro-ondes sont un très bon choix, car ils concentrent la chaleur sur les aliments et accélèrent la cuisson.
- Les sacs de cuisson au four conviennent pour les grosses pièces de viande ou les aliments à attendrir. **NE PAS SE SERVIR d'attaches métalliques.** Ne pas oublier de percer le sac pour laisser s'échapper la vapeur.

## Comment se servir du papier aluminium dans votre tiroir :

- De petits morceaux non froissés de papier aluminium posés sur les aliments peuvent servir à protéger les parties qui décongèlent ou cuisent trop rapidement.
- Le papier d'aluminium doit être à au moins 2,5 cm des parois du four.

Pour toute question concernant les ustensiles ou la manière de couvrir les aliments, consulter un bon livre de cuisine spécialisé en micro-ondes ou suivre les conseils de la recette.

## Accessories:

De nombreux accessoires pour four à micro-ondes sont offerts sur le marché. Évaluer soigneusement vos besoins avant d'en faire l'acquisition. Un thermomètre pour micro-ondes permettra de vérifier la cuisson à point et de s'assurer que les aliments ont été cuits à la bonne température. Dacor n'est pas responsable des dommages au tiroir résultant de l'utilisation d'accessoires.

---

## À Propos Des Enfants Et Du Micro-onde

---

Les enfants de moins de 7 ans ne devraient utiliser le four à micro-ondes que sous la surveillance étroite d'un adulte. Les enfants de 7 à 12 ans devraient utiliser l'appareil sous la surveillance d'un adulte se trouvant dans la même pièce qu'eux.

L'enfant doit être capable d'atteindre facilement le four; sinon, le faire monter sur un tabouret robuste et stable.

Il ne faut jamais s'appuyer ou s'accrocher à la porte du four à micro-ondes. Il faut enseigner les mesures de sécurité aux enfants : employer des gants isolants, enlever les couvercles avec précaution, faire très attention aux contenants d'aliments croustillants qui peuvent devenir très chauds.

Ne pas présumer qu'un enfant qui connaît bien une fonction de l'appareil les connaît toutes.

Les enfants doivent savoir qu'un four à micro-ondes n'est pas un jouet. Voir la page 20 pour obtenir des renseignements sur le verrouillage de sécurité.

---

## À Propos De La Sécurité

---

Inspecter les aliments pour voir s'ils ont été cuits aux températures recommandées par le ministère de l'agriculture des États-Unis.

71 °C (160 °F) - Pour le porc frais, la viande hachée, le blanc de poulet désossé, le poisson, les fruits de mer, les œufs frais et les aliments préparés surgelés.
---

74 °C (165 °F) - Pour les restes, les aliments réfrigérés prêts-à-réchauffer, et les aliments frais d'un traiteur ou l'équivalent.
--

77 °C (170 °F) - Les blancs de volaille.
--

82 °C (180 °F) - La viande brune de volaille.
---



# Ce Que Vous Devez Savoir

Pour vérifier si les aliments sont cuits à point, insérer un thermomètre à viande dans un endroit épais, à l'écart de la graisse et des os. Ne JAMAIS laisser le thermomètre dans les aliments qui cuisent, sauf s'il est approuvé pour emploi aux micro-ondes.

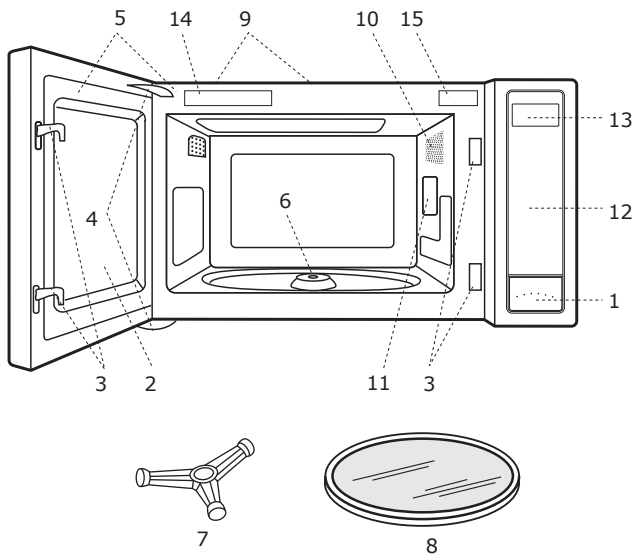
- TOUJOURS utiliser des gants isolants pour éviter des brûlures lorsque l'on se sert d'ustensiles en contact avec des aliments chauds. Assez de chaleur des aliments peut être transféré aux ustensiles pour provoquer des brûlures de la peau
- Diriger la vapeur loin du visage et des mains afin d'éviter des brûlures. Soulever doucement la partie la plus éloignée des couvercles et des pellicules et ouvrir lentement les sacs de maïs soufflé ou de cuisson en les tenant loin du visage.
- Rester près du four quand il fonctionne et vérifier fréquemment la cuisson afin d'éviter de trop cuire les aliments.
- Ne JAMAIS entreposer des livres de cuisine ou autres objets dans la cavité du four.
- Choisir, entreposer et manipuler la nourriture de manière à préserver sa qualité et de minimiser la prolifération de bactéries alimentaires.
- Garder propre le couvercle du guide d'ondes. Les résidus d'aliments peuvent causer des étincelles ou s'enflammer.
- Retirer les aliments du four en prenant soin de ne pas toucher le système de fermeture de sûreté de la porte avec des ustensiles, ses vêtements ou les accessoires.

## À Propos Des Aliments

Aliments	À Faire	À Ne Pas Faire
Œufs, saucisses, fruits et légumes	<ul style="list-style-type: none"><li>• Percer les jaunes d'œufs avant la cuisson pour empêcher une « explosion ».</li><li>• Percer la peau des pommes de terre, des pommes, des courges, des hot dogs et des saucisses pour que la vapeur s'échappe.</li></ul>	<ul style="list-style-type: none"><li>• Cuire les œufs dans leur coquille</li><li>• Réchauffer des œufs entiers</li><li>• Sécher des noix ou des graines dans leur coquille</li></ul>
Maïs soufflé	<ul style="list-style-type: none"><li>• Utiliser du maïs soufflé en sac pour micro-onde.</li><li>• Porter attention à l'éclatement du maïs pour que celui-ci ralentisse à 1 ou 2 secondes ou utiliser la touche <b>POPCORN</b>.</li></ul>	<ul style="list-style-type: none"><li>• Faire éclater du maïs soufflé dans des sacs bruns ordinaires ou des bols de verre</li><li>• Dépasser le temps maximal inscrit sur le paquet de maïs soufflé.</li></ul>
Aliments pour bébé	<ul style="list-style-type: none"><li>• Transférer les aliments pour bébé dans un plat plus petit et chauffer prudemment en remuant souvent. Vérifier la température avant de servir</li><li>• Mettre les tétines sur les bouteilles après le réchauffage et bien agiter. Essayer sur le poignet avant de nourrir.</li></ul>	<ul style="list-style-type: none"><li>• Chauffer les bouteilles jetables.</li><li>• Chauffer les bouteilles avec les tétines.</li><li>• Chauffer les aliments pour bébé dans les pots d'origine</li></ul>
Général	<ul style="list-style-type: none"><li>• Couper les aliments avec garniture après chauffage pour relâcher la vapeur et éviter les brûlures.</li><li>• Remuer vivement les liquides avant et après chauffage pour empêcher une « éruption ».</li><li>• Se servir d'un bol profond, pour cuire des liquides ou des céréales pour empêcher les débordements.</li></ul>	<ul style="list-style-type: none"><li>• Chauffer ou cuire dans des pots de verre fermés ou des contenants hermétiques</li><li>• Mettre en conserve dans le micro-onde car des bactéries dangereuses pourraient ne pas être détruites.</li><li>• Faire frire de la graisse épaisse</li><li>• Sécher du bois, des gourdes, des herbes ou des papiers humides</li></ul>

# Nom des Pièces

## Pièces du four à micro-onde



1. Bouton d'ouverture de la porte  
Appuyer sur ce bouton pour ouvrir la porte.
2. Porte du four avec hublot
3. Verrous de la porte  
Le four ne peut pas fonctionner si la porte n'est pas parfaitement fermée.
4. Charnières de la porte
5. Joints d'étanchéité et surfaces d'étanchéité
6. Arbre d'entraînement du plateau tournant
7. Support amovible du plateau tournant  
Placer soigneusement le support du plateau tournant au centre du four.
8. Plateau tournant  
Le placer sur le support et l'arbre d'entraînement. Il peut tourner dans le sens des aiguilles d'une montre ou dans le sens inverse. Ne le retirer que pour le nettoyer.
9. Orifices de ventilation (arrière)
10. Lampe du four  
Elle s'allume lorsque la porte est ouverte ou que le four est en service.
11. Couvercle du guide d'ondes : **NE PAS ENLEVER.**
12. Tableau de commande
13. Affichage interactif des temps : 99 minutes, 99 secondes
14. Étiquette de menu
15. Évaluation étiquette

## Tableau de commande

L'afficheur interactif de deux lignes indique les étapes de fonctionnement et indique des conseils de cuisson. Lorsque **HELP** apparaît sur l'afficheur, appuyer sur la touche Help pour lire un conseil précis susceptible de vous aider.



- 10-11 — **SENSOR COOKING**
- POPCORN REHEAT SETUP HELP — 20
- FRESH VEGETABLES RICE BAKED POTATOES
- GROUND MEAT POULTRY FISH SEAFOOD
- FROZEN FOODS** — 12
- ENTREES SNACKS VEGETABLES
- MENU OPTIONS** — 12-20
- BREAKFAST LUNCH 15 MINUTE RECIPES
- DEFROST FROM THE PANTRY BEVERAGES
- 1 2 3 4 5
- 6 7 8 9 0
- 21 — **TIMER CLOCK** KEEP WARM EASY MINUTE — 22
- 8 — **KEEP WARM** EASY MINUTE — 22
- 9 — **POWER LEVEL** STOP CLEAR START — 8

Les chiffres en marge de l'illustration du tableau de commande renvoient aux pages où sont décrits les caractéristiques et les renseignements concernant le mode d'emploi.

# Avant l'usage

Avant d'utiliser ce four, prendre la peine de lire intégralement ce mode d'emploi.

Avant d'utiliser le four, procéder ainsi :

1. Brancher la fiche du cordon d'alimentation. Fermer la porte. La phrase **WELCOME PRESS CLEAR AND PRESS CLOCK** s'affiche.
2. Appuyer sur la touche **STOP/CLEAR**. L'indication  s'affiche.
3. Régler l'horloge.

## Pour Régler L'horloge

1. Appuyer sur la touche **TIMER/CLOCK** et sur .
2. Appuyer sur les chiffres pour corriger l'heure du jour et appuyer de nouveau sur **TIMER/CLOCK**.

Cette horloge a un cycle de 12 heures. En cas d'entrée d'une heure invalide, **ERROR** s'affichera. Appuyer sur la touche **STOP/CLEAR** et entrer à nouveau l'heure.

Si l'alimentation électrique du four à micro-ondes est coupée, **WELCOME PRESS CLEAR AND PRESS CLOCK** s'affichera et clignotera dès que l'alimentation sera rétablie. Si cela se produit durant la cuisson, la programmation sera effacé. L'heure aussi sera effacée. Appuyer simplement sur la touche **STOP/CLEAR** et remettre l'horloge à l'heure.

## Stop/Clear

Appuyer sur la touche **STOP/CLEAR** pour:

- Effacer une erreur durant la programmation.
- Annuler la minuterie.
- Arrêter le micro-onde tiroir temporairement durant la cuisson.
- Afficher à nouveau l'heure.
- Annuler un programme durant la cuisson, appuyer deux fois.

# Fonctionnement manuel

## Temps De Cuisson

Le four peut être programmé pour 99 minutes 99 secondes (99.99). Indiquer les secondes après les minutes même si le nombre de secondes est égal à zéro.

Par exemple, cuisiner pour 5 minutes à 100% :

1. Entrer le temps de cuisson **[5] [0] [0]**.
2. Pour cuire à la puissance 100 % (élevée), appuyer sur la touche **START**.

## Décongélation Manuelle

Si les aliments que vous voulez décongeler ne sont pas listés dans les tableaux de Defrost, ou sont au-dessus ou en-dessous des limites de leur colonne de quantité, vous devrez décongeler manuellement.

Vous pouvez décongeler tout aliment, cru ou déjà cuit, à l'aide du niveau de puissance de 30 %. Suivre exactement la marche suivre en 3 étapes sous Le Réglage Du Niveau De Puissance. Estimer la durée de décongélation et appuyer sur la touche POWER LEVEL huit fois pour une puissance de 30%.

Pour des aliments crus ou déjà cuits, la règle d'or est d'environ 4 minutes par livre. Par exemple, 1 livre de spaghetti dégèlera en 4 minutes.

Toujours arrêter le four périodiquement pour séparer et retirer les portions dégelées. Si les aliments ne sont pas complètement dégelés à la fin du temps de décongélation estimé, programmer le four en incréments d'1 minute, au niveau de puissance de 30 % jusqu'à décongélation complète.

Quand vous utilisez des contenants plastique sortant du congélateur, décongeler seulement assez longtemps pour retirer les aliments du plastique et les mettre dans un plat pour micro-onde.

## Le Réglage Du Niveau De Puissance

Onze niveaux de puissance sont prévus.

Plus le niveau de puissance est faible, plus le temps de cuisson est long, ce qui est conseillé pour les aliments tels que le fromage, le lait ou les viandes qui exigent une cuisson lente. Consulter un livre de cuisine ou de recettes pour chaque cas particulier.

Par exemple, décongeler pendant 5 minutes à 30 % :

1. Entrer le temps de décongélation **[5] [0] [0]**.
2. Appuyer 8 fois sur la touche **POWER LEVEL** ou maintenir enfoncée jusqu'à ce le niveau de puissance désiré s'affiche.
3. Appuyer sur la touche **START**.

## Tableau de décongélation

Appuyer sur la touche power level jusqu'à ce que le niveau de puissance désiré s'affiche	Pourcentage approximatif de la puissance	Noms donnés aux niveaux de puissance
Power Level x 1	100%	High (élevé)
Power Level x 2	90%	
Power Level x 3	80%	
Power Level x 4	70%	Medium High (mi-élevé)
Power Level x 5	60%	
Power Level x 6	50%	Medium (moyen)
Power Level x 7	40%	
Power Level x 8	30%	Med Low/Defrost (mi-faible/décongélation)
Power Level x 9	20%	
Power Level x 10	10%	Low (faible)
Power Level x 11	0%	

# Sensor Cooking

Le capteur de Dacor est un dispositif à semi-conducteur qui détecte la vapeur (humidité) émise par les aliments lorsqu'ils sont chauffés. Le capteur permet de régler les durées de cuisson et les niveaux de puissance selon les divers aliments et leur quantité.

## Utilisation des réglages du capteur:

1. Après le branchement du four, attendre 2 minutes avant d'utiliser ce type de cuisson.
2. S'assurer que l'extérieur du récipient de cuisson et l'intérieur du four sont secs. Essuyer toute trace d'humidité avec un chiffon sec ou un essuie-tout.
3. Le capteur fonctionne pour les aliments conservés à la température de rangement normale. Par exemple, le maïs soufflé devrait être à la température de la pièce.
4. Toute sélection du capteur peut être programmée avec réglage de durée en plus ou en moins. Voir page 22.
5. Si la quantité d'aliments est inférieure ou supérieure à celle du tableau, on doit tenir compte des conseils fournis dans un livre de cuisine pour four à micro-ondes.
6. Au cours de la première période de cuisson commandée par le capteur, le nom de l'aliment s'affiche. Ne pas ouvrir la porte du four, ni appuyer sur la touche **STOP/CLEAR** au cours de cette période, car cela provoquerait l'interruption de la mesure du degré d'humidité. Si ces consignes ne sont pas respectées, un message d'erreur s'affiche et la cuisson commandée par le capteur s'arrête. Pour poursuivre la cuisson, appuyer sur la touche **STOP/CLEAR** et choisir le temps de cuisson et le niveau de puissance.

Lorsque le capteur détecte la vapeur émise par les aliments, le temps restant avant la fin de la cuisson est indiqué sur le four. On peut ouvrir la porte lorsque ce temps de cuisson restant s'affiche. À ce moment-là, on peut aussi remuer les aliments et les assaisonner, au goût.

7. Si pendant le soufflage du maïs, le capteur ne détecte pas correctement la vapeur émise, le four cessera de fonctionner et l'heure sera affichée. Si le capteur ne détecte pas correctement la vapeur émise lors de la cuisson d'autres aliments, l'indication **ERROR** s'affichera et le micro-onde cessera de fonctionner.

8. Vérifier la température des aliments après cuisson. S'il faut plus de temps, continuer à cuire en mode manuel.
9. Il existe un conseil de cuisson pour chaque aliment. Appuyer sur la touche **SET UP/HELP** quand l'indicateur **HELP** est allumé sur l'afficheur.

## Manières de couvrir les aliments:

Certains aliments cuisent mieux lorsqu'ils sont couverts. Se servir du couvercle recommandé dans les tableaux pour ces aliments. Vous pouvez vous reporter aux conseils en appuyant sur la touche **SET UP/HELP**.

- Couvercle.
- Film plastique : Utiliser un film plastique recommandé pour la cuisson aux micro-ondes. Couvrir le plat sans serrer et en conservant une ouverture de 1,25 cm (1/2 po) de manière à ce que la vapeur puisse s'échapper. Le film plastique ne doit pas entrer en contact avec les aliments.
- Papier ciré : Couvrir entièrement le plat et replier le papier sous le plat de manière à ce qu'il soit maintenu. Si le plat est plus large que le papier, utiliser deux morceaux de papier se chevauchant d'au moins 2,5 cm (1 po).

Faire attention en retirant l'élément couvrant les aliments de laisser la vapeur s'échapper loin de vous.

Il est possible de cuire bon nombre d'aliments simplement en appuyant sur une touche **START**. Il n'est pas nécessaire de calculer le temps de cuisson ou la puissance.

Par exemple, réchauffer une boîte de chili :

1. Appuyer sur la touche **REHEAT**.
2. Appuyer sur la touche **START**.

Lorsque le capteur détecte la vapeur dégagée par les aliments, la durée de cuisson qui reste s'affiche.

### REMARQUE :

Les réglages Fresh Vegetables (Légumes frais) et Poultry (Volaille) offrent deux options. Suivre les instructions affichées pour sélectionner l'option désirée.

## Tableau de Sensor Cooking

Aliments	Quantité	Marche à suivre
Popcorn	1 paquet	N'utiliser que du maïs soufflé pour microondes. Essayer plusieurs marques et choisir celle qui donne les meilleurs résultats. Ne pas tenter de souffler les grains qui n'ont pas éclaté.
	Sac de 1,5 à 3,5 oz (45 à 100 g)	Appuyer sur la touche <b>POPCORN</b> puis sur <b>START</b> .

# Sensor Cooking

Tableau de Sensor Cooking (continu )

Aliments	Quantit�	Marche � suivre															
Reheat	112 g – 1 kg (4 - 36 oz)	Mettre dans un plat ou une casserole un peu plus grande que la quantit� � r�chauffer. Aplatir si possible. Couvrir avec un couvercle, film plastique ou un papier cir�. Couvrir avec du film plastique ou des couvercles pour de plus grandes quantit�s d'aliments plus denses comme les rago�ts Si possible, bien remuer apr�s r�chauffage. Couvrir � nouveau et laisser reposer 2 � 3 minutes. Les aliments devraient �tre tr�s chauds. Dans le cas contraire, continuer � chauffer avec une puissance et une dur�e variables.															
Fresh vegetables, tendres :		Laver les l�gumes, puis les placer dans un bol. Ne pas ajouter d'eau si les l�gumes viennent tout juste d'�tre lav�s. Couvrir avec le couvercle pour obtenir des l�gumes tendres. Utiliser une pellicule plastique pour obtenir des l�gumes tendres mais croustillants. Appuyer sur la touche <b>FRESH VEGETABLES</b> , sur la touche [1] puis sur la touche <b>START</b> . Apr�s la cuisson, remuer si possible, Laisser reposer, � couvert, 2 � 5 minutes.															
Brocoli	0,25 - 2 lb																
Choux de Bruxelles	0,25 - 2 lb																
Choux	0,25 - 2 lb																
Chou-fleur (en bouquet)	0,25 - 2 lb																
Chou-fleur (entier)	1 moyen																
�pinards	0,25 - 1,0 lb																
Courgettes	0,25 - 2 lb																
Pommes au four	2 - 4 moyen																
Fresh vegetables, croquants :		Les placer dans un bol. Ajouter 1 � 4 c. � soupe d'eau. Couvrir avec le couvercle pour obtenir des l�gumes tendres. Utiliser une pellicule plastique pour obtenir des l�gumes tendres, mais croustillants. Appuyer sur la touche <b>FRESH VEGETABLES</b> , sur la touche [2] puis sur la touche <b>START</b> . Apr�s la cuisson, remuer si possible, Laisser reposer, � couvert, 2 � 5 minutes.															
Carottes, tranch�es	0,25 - 1,5 lb																
Ma�s en �pi	2 - 4																
Haricots verts	0,25 - 1,5 lb																
Courge d'hiver : en d�s en moiti�	0,25 - 1,5 lb 1 - 2																
Rice	0,5 � 2 tasses	Placer le riz dans une cocotte profonde et ajouter le double d'eau. Couvrir avec un couvercle ou un film plastique. Apr�s la cuisson, remuer, couvrir et laisser reposer de 3 � 5 minutes ou jusqu'� ce que tout le liquide ait �t� absorb�.															
		<table border="0"> <thead> <tr> <th>Riz</th> <th>Eau</th> <th>Taille de la casserole</th> </tr> </thead> <tbody> <tr> <td>0,5 tasse</td> <td>1 tasse</td> <td>1,5 pinte</td> </tr> <tr> <td>1 tasse</td> <td>2 tasses</td> <td>2 pinte</td> </tr> <tr> <td>1,5 tasse</td> <td>3 tasses</td> <td>2,5 ou 3 pintes</td> </tr> <tr> <td>2 tasses</td> <td>4 tasses</td> <td>3 pinte ou plus</td> </tr> </tbody> </table>	Riz	Eau	Taille de la casserole	0,5 tasse	1 tasse	1,5 pinte	1 tasse	2 tasses	2 pinte	1,5 tasse	3 tasses	2,5 ou 3 pintes	2 tasses	4 tasses	3 pinte ou plus
Riz	Eau	Taille de la casserole															
0,5 tasse	1 tasse	1,5 pinte															
1 tasse	2 tasses	2 pinte															
1,5 tasse	3 tasses	2,5 ou 3 pintes															
2 tasses	4 tasses	3 pinte ou plus															
Baked potatoes	1 - 8 moyen	Les piquer. Les placer sur un essuie-tout au fond du tiroir. Apr�s la cuisson, les retirer du four, les envelopper dans une feuille d'aluminium et les laisser reposer pendant 5 � 10 minutes.															
Ground meat	0,25 � 2 lb	Utiliser ce r�glage pour cuire du b�uf ou de la dinde hach�s en fricadelles ou en cocotte avec d'autres ingr�dients. Placer les fricadelles sur une grille transparente aux micro-ondes et couvrir de papier cir�. Placer la viande hach�e dans une cocotte et couvrir avec du papier cir� ou du film plastique. Quand le four s'arr�te, retourner les fricadelles ou m�langer la viande dans la cocotte pour s�parer les gros morceaux. Recouvrir et appuyer sur <b>START</b> . Apr�s la cuisson, laisser reposer, � couvert, 2 � 3 minutes.															
Poultry : D�soss�e	0,5 � 2,0 lb	Utiliser une poitrine de poulet ou de dinde d�soss�e. Couvrir d'une pellicule plastique perc�e. Appuyer sur la touche <b>POULTRY</b> et le chiffre [1] ainsi que sur la touche <b>START</b> . Lorsque le four s'arr�te, changer la position des aliments. Couvrir de nouveau et appuyer sur la touche <b>START</b> . Apr�s la cuisson, laisser reposer � couvert pendant 3 � 5 minutes. La temp�rature de la volaille devrait �tre de 70 �C (160 �F).															

# Frozen Foods

## Tableau de Sensor Cooking (continué)

Aliments	Quantité	Marche à suivre
Poultry : Avec os	0,5 à 3,0 lb	Disposer les pièces en orientant la partie la plus épaisse vers l'extérieur d'un plat en verre ou d'un plat allant au four à micro-ondes. Couvrir d'une pellicule plastique percée. Appuyer sur la touche <b>POULTRY</b> et le chiffre [2] ainsi que sur la touche <b>START</b> . Après la cuisson, laisser reposer à couvert pendant 3 à 5 minutes. La température de la volaille foncée devrait être de 82 °C (180 °F) et de 77 °C (170 °F) pour la viande blanche.
Fish/seafood	0,25 à 2,0 lb	Disposer en anneau autour d'un plat en verre peu profond (rouler le filet en mettant les bords en-dessous). Couvrir de pellicule plastique. Après la cuisson, laisser reposer à couvert pendant 3 minutes.

## Tableau de Frozen Foods

Aliments	Quantité	Marche à suivre
Entrees	6 à 17 oz	Utiliser ce réglage pour réchauffer des plats surgelés de différentes marques. Il sera peut-être nécessaire de faire l'essai de plusieurs marques avant de trouver celle qu'on préfère. Retirer le plat de l'emballage extérieur et suivre les indications qui y sont données en ce qui concerne le recouvrement du plat. Après la cuisson, laisser reposer à couvert de 1 à 3 minutes.
Snacks	3 à 8 oz	Utiliser pour décongeler des pommes de terre frites, des bâtonnets au fromage, des hors-d'oeuvre, etc. Retirer l'aliment de l'emballage extérieur. Suivre le mode d'emploi sur l'emballage pour la manière d'envelopper ou de couvrir. Il faut être prudent au moment de sortir l'aliment du four car il peut être très chaud.
Vegetables	0,25 à 1,25 lb	Ne pas ajouter d'eau. Couvrir avec le couvercle ou utiliser une pellicule plastique. Après la cuisson, remuer, et, si possible, laisser reposer à couvert pendant 3 minutes.

# Menu Options

Ce four comporte six touches « prêt-à-servir » pour faciliter la préparation des repas. La préparation de certains mets des programmes Breakfast, Lunch, 15 Minute Recipes et From the Pantry requiert l'utilisation du capteur. Voir les renseignements sur la cuisson commandée par capteur, à la page 10. Lorsque la préparation ne requiert pas le capteur, suivre les instructions affichées pour entrer les quantités.

- Sélectionner le réglage désiré dans Breakfast en appuyant sur la touche numérique. Par exemple : appuyer sur le chiffre [3] pour choisir des céréales chaudes.) **HOT CEREAL ENTER NUMBER OF SERVINGS.**
- Entrer la quantité en touchant le nombre clé.
- Appuyer sur la touche **START**.

Après la cuisson, suivre les instructions affichées.

### REMARQUE:

- Le réglage Chauffer petits pains/muffins propose deux options. Suivre les instructions affichées pour sélectionner l'option désirée.
- Le réglage Breakfast peut être programmé grâce aux More et Less permettant de régler le temps de cuisson. Appuyer sur la touche **POWER LEVEL** une ou deux fois avant d'appuyer sur la touche **START**. Voir la page 22.

## Breakfast et Lunch

Breakfast et Lunch sont prévus pour la cuisson de préparations courantes qui ne prennent que peu de temps.

- Appuyer sur la touche **BREAKFAST**. **SEE LABEL SELECT FOOD NUMBER.**



# Menu Options

- Un indice de cuisson est disponible pour chaque aliment. Pour l'obtenir, appuyer sur la touche **SET UP/HELP** pendant que l'indicateur HELP est affiché.
- Si vous tentez d'entrer une quantité d'aliments supérieure ou inférieure à la limite permise, un message d'erreur est affiché. Une quantité supérieure ou inférieure à la quantité indiquée au tableau devrait être cuite en suivant les directives de tout livre de recettes pour four à micro-ondes.
- Le résultat final de cuisson variera selon l'état des aliments (par exemple, la température initiale, la forme, la qualité et le fait que les aliments soient couverts ou non). Contrôler la température des aliments après la cuisson. Pour ajouter du temps de cuisson, procéder manuellement.

## Tableau de Breakfast

**\*No es necesario ingresar una cantidad.**

Aliments	Quantité	Marche à suivre
1. Œufs brouillés	1 à 9 œufs	Pour chaque œuf, ajouter 1 cuillerée à thé de beurre ou de margarine et 1 cuillerée à soupe de lait. Déposer le beurre ou la margarine dans une assiette, une tasse à mesurer ou un plat assez grand pour permettre aux œufs de prendre de l'expansion. Mélanger les œufs et le lait. Verser cette préparation sur le beurre ou la margarine. Enfourner et programmer le four. Lorsque le four émettra un signal sonore, remuer la préparation de sorte que la partie cuite se retrouve au centre du plat et la partie non cuite, dans le pourtour du plat. Après la cuisson, remuer, couvrir et laisser reposer jusqu'à ce que la préparation soit prête. Il est à noter que les œufs ne seront pas assez cuits à la sortie du four.
2. Bacon	2 à 6 morceaux	Déposer le bacon dans une assiette en carton recouverte d'un essuie-tout. Le bacon ne devrait pas dépasser le rebord de l'assiette. À la sortie du four, laisser reposer quelques minutes afin de permettre la fin de la cuisson.
3. Céréales chaudes	1 à 6 portions	Sélectionner votre variété préférée de céréales, en sachets individuels ou en vrac : farine d'avoine, son d'avoine, semoule, farina ou froment. Suivre les directives de l'emballage afin d'utiliser la bonne quantité d'eau ou de lait. Couvrir d'un autre essuie-tout. Suivre les directives de l'emballage afin d'utiliser la bonne quantité d'eau ou de lait. Pour éviter tout débordement, il est très important de choisir un grand contenant car les céréales cuites au four à micro-ondes bouillent fortement. À l'arrêt du four, remuer puis appuyer sur la touche <b>START</b> . Après la cuisson, remuer, couvrir et laisser reposer 2 minutes.
4. Chauffer petits pains/muffins		Utiliser cette touche pour réchauffer des petits pains, des muffins, des biscuits, des bagels, etc. Un gros aliment doit être considéré comme étant égal à 2 ou 3 aliments de taille normale. Déposer dans une assiette et couvrir d'un essuie-tout.
Frais	1 à 10 morceaux	Pour réchauffer des petits pains ou des muffins frais, appuyer sur la touche <b>BREAKFAST</b> , numéro [4], et toucher numéro [1]. Entrer ensuite la quantité désirée puis appuyer sur la touche <b>START</b> . Dans le cas de petits pains ou de muffins conservés au réfrigérateur, il peut être nécessaire de doubler la quantité de manière à ce qu'ils soient assez chauds pour être servis. Par exemple, entrer une quantité égale à 2 muffins pour un seul muffin réfrigéré.
Surgelés	1 à 10 morceaux	Dans le cas de petits pains ou de muffins surgelés, appuyer sur la touche <b>BREAKFAST</b> , numéro [4], et toucher numéro [2]. Entrer ensuite la quantité désirée puis appuyer sur la touche <b>START</b> .
5. Aliments surgelés pour petit déjeuner*	1 (3 à 6 oz)	Ce réglage est utile pour cuire des petits déjeuners, des crêpes, des gaufres ou des burritos congelés, entre autres. Suivre les directives du fabricant quant à la cuisson au four à micro-ondes. Après la cuisson, laisser reposer 1 à 2 minutes.

# Menu Options

## Tableau de Lunch

**\*No es necesario ingresar una cantidad.**

Aliments	Quantité	Marche à suivre
1. Repas dans une tasse*	1 tasse	Ce réglage est idéal pour réchauffer des repas individuels offerts dans de petits emballages (habituellement de 6 à 8 oz) allant au four à micro-ondes. Retirer la pellicule métallique intérieure et déposer le couvercle sur le contenant allant au four à micro-ondes. Après la cuisson, remuer les aliments et laisser reposer 1 ou 2 minutes.
2. Saucisse et petit pain* (Hot-Dogs)	1 à 4 pièces	Déposer la saucisse dans un pain à hot-dog. Emballer chaque hot-dog dans un essuie-tout ou une serviette de table.
3. Soupe*	1 à 8 tasses	Verser la soupe dans un bol ou un plat. Mettre un couvercle ou couvrir d'une pellicule plastique. Après la cuisson, remuer, couvrir à nouveau et laisser reposer 1 à 3 minutes.
4. Pizza pour microondes*	1 (6 à 8 oz)	Utiliser ce réglage pour faire cuire les pizzas surgelées au micro-ondes. Retirer la pizza de son emballage et la déballer. Suivre les directives quant à l'utilisation de l'emballage ou d'un plateau d'argent pour mets croustillants.
5. Sandwichs surgelés*	1 (3 à 6 oz)	Utiliser ce réglage pour réchauffer les sandwichs surgelés au micro-ondes. Retirer le sandwich de son emballage et suivre les directives quant à l'enfournement.

## 15 Minute Recipes et From The Pantry

Les fonctions 15 Minute Recipes et From the Pantry offrent chacune cinq repas faciles à préparer mais vraiment délicieux. Suivre les indications précises sur la fiche de recette ainsi que les instructions affichées.

- Par exemple : Pour utiliser 15 Minute Recipes cuisiner du poulet en sauce.

1. Appuyer sur la touche **15 MINUTE RECIPES**. **SEE LABEL SELECT RECIPE NUMBER.**

2. Sélectionner le réglage désiré dans 15 Minute Recipes en appuyant sur la touche numérique. Par exemple : Appuyer sur le chiffre **1** pour sélectionner le poulet en sauce. Suivre les indications de la fiche de recette pour prendre connaissance des ingrédients et des instructions. **SEE RECIPE CARD PRESS START.**
3. Appuyer sur la touche **START**.
4. Lorsque le four s'arrête, l'écran affiche le numéro de l'instruction sur la fiche de recette. Suivre les instructions de la fiche de recette. **CHECK RECIPE INSTRUCTIONS 2 PRESS START.**
5. Appuyer sur la touche **START**.
6. À la fin de la cuisson, l'écran affiche le numéro de l'instruction sur la fiche de recette. Suivre les instructions de la fiche de recette. **CHECK RECIPE INSTRUCTIONS 3.**

## From The Pantry (La recette donne 6 portions)

### 1. Poulet en Sauce

1. Placer dans une casserole de 3 pintes/3l:

- 1 cuillère (15 ml) à soupe d'huile
- 1/2 lb (250 g) de champignons, tranchés
- 1 oignon haché
- 1 cuillère (15 ml) à soupe d'ail émincé

Bien remuer et mettre le couvercle. Appuyer sur la touche **FROM THE PANTRY**, sur le chiffre **1** pour sélectionner **POULET EN SAUCE**, puis sur la touche **START**.

2. Mélanger :

- 8 onces (230 g) de fromage à la crème à faible teneur en gras, ramolli
- 1/4 tasse (50 ml) de lait

3. Amalgamer au mélange de fromage :

- 1 sac (10 oz/280 g) de petits pois congelés
- 2 tasses (500 ml) de poitrine de poulet cuit, en tranches minces

Sel et poivre au goût

Au moment de la pause, éliminer le liquide de cuisson des champignons, etc. Ajouter le mélange de fromage à la crème, de petits pois, et de poulet et bien mélanger. Remettre le couvercle. Appuyer sur la touche **START**.

4. À la fin de la cuisson, ajouter une tasse/250 ml de fromage Monterey Jack râpé.

*Servez sur des pommes de terre au four ou des pâtes.*

# Menu Options

## From The Pantry (La recette donne 6 portions) CONTINUÉ

### 2. Porc Hawaïen

1. Placer dans une casserole de 3 pintes/3l :

- 1 cuillère (15 ml) à soupe d'huile
- 1 lb (500 g) de filet de porc désossé, coupé en tranches de un pouce/2,5 cm, et assaisonné de sel et de poivre

Bien remuer et mettre le couvercle. Appuyer sur la touche **FROM THE PANTRY** sur le chiffre [2] pour sélectionner PORC HAWAÏEN, puis sur la touche **START**.

2. Mélanger dans un grand bol :

- 1 tasse (250 ml) de pêches ou d'abricots en conserve
- 1/4 tasse (50 ml) de sauce barbecue
- 2 cuillères (30 ml) à soupe de sauce soya
- 2 cuillères (30 ml) à soupe de fécule de maïs
- 1 tasse (250 ml) d'oignon haché finement

À la pause, ajouter le mélange d'aliments en conserve et de sauce barbecue et bien mélanger. Remettre le couvercle. Appuyer sur la touche **START**.

3. À la pause, ajouter :

- 1 boîte de 8 oz (230 g) de châtaignes d'eau en conserve, égouttées
- 1 piment vert, dont on a retiré les graines et coupé en lanières de 2 pouces/5 cm
- 1 piment rouge, dont on a retiré les graines et coupé en lanières de 2 pouces/5cm
- 1 boîte de 20 oz (570 g) d'ananas en conserve, en gros morceaux, égoutté

Remettre le couvercle. Appuyer sur la touche **START**.

4. Al final, revuelva nuevamente.

*Servir sur du riz cuit.*

### 3. Chili Fiesta

1. Placer dans une casserole de 3 pintes/3l :

- 1 1/4 lb (600 g) de dinde hachée
- 1/2 tasse (125 ml) d'oignons en cubes
- 1/2 tasse (125 ml) de piment rouge en cubes

Défaire la dinde et ajouter l'oignon et le piment rouge. Couvrir. Appuyer sur la touche **FROM THE PANTRY**, sur le chiffre [3] pour sélectionner CHILI FIESTA, puis sur la touche **START**.

2. À la pause, égoutter et ajouter dans la casserole :

- 8 oz (230 g) de sauce piquante épaisse

- 1 boîte de 11 oz (310 g) de maïs mexicain, égoutté
- 1 boîte de 15 oz (430 g) de chili avec de fèves
- 1 à 3 cuillères (5 à 15 ml) à thé de poudre de chili

Bien mélanger. Remettre le couvercle. Appuyer sur la touche **START**.

3. À la fin de la cuisson, remuer encore une fois.

*Servir sur du riz cuit ou sur des nachos. Garnir avec 2 tasses/500 ml de fromage Monterey Jack ou cheddar râpé.*

### 4. Saumon Glacé

1. Mélanger :

- 1/4 tasse (50 ml) de jus d'orange concentré
- 2 cuillères (30 ml) à soupe de moutarde au miel
- 1 cuillères (15 ml) à soupe de gingembre frais râpé ou 2 cuillères (30 ml) à thé de gingembre moulu

2. Déposer dans une casserole de verre de 7 po x 11 po /18 x 28 cm :

- 1 1/2 lb (700 g) de filet de saumon

Répartir la moitié du mélange de jus d'orange sur le dessus du saumon.

Recouvrir d'une pellicule plastique. Appuyer sur la touche **FROM THE PANTRY**, sur le chiffre [4] pour sélectionner SAUMON GLACÉ, puis sur la touche **START**.

3. À la pause, répartir autour du saumon :

- 3 tasses (750 ml) de pousses de brocoli
- 1 piment rouge, tranché en lamelles

Verser le reste du mélange de jus d'orange sur les légumes. Garnir avec 2 cuillères à soupe/30 ml de graines de sésame grillées. Remettre le couvercle. Appuyer sur la touche **START**.

4. À la fin de la cuisson, laisser reposer, avec le couvercle, durant 3 à 5 minutes.

*Servir avec du riz au beurre, des pâtes ou des pommes de terre garnies de persil.*

# Menu Options

From The Pantry (La recette donne 6 portions) CONTINUÉ

## 5. Healthy Frittata

1. Beurrer un plat à tarte de 9 pouces (23 cm). Y mettre :
  - 1/2 lb (250 g) de champignons émincés
  - 3/4 tasse (187 ml) d'oignon haché
  - 1 cuillère (15 ml) à soupe d'ail haché fin
  - 1/4 lb (125 g) de saucisse fumée maigre débitée en morceauxCouvrir avec une feuille de plastique. Sélectionner **FROM THE PANTRY** sur le chiffre [5] pour choisir **HEALTHY FRITTATA**, puis actionner **START**.
2. À la pause, égoutter et réserver.  
Dans un bol moyen, verser et bien mélanger :
  - 3 gros œufs
  - 1/2 tasse (125 ml) de crème sure demi-écrémée
  - 1 cuillère (15 ml) à soupe de moutarde de Dijon
  - 1/2 cuillère à thé (2,5 ml) de sel
  - 1/8 cuillère à thé (0,6 ml) de poivre moulu
3. Ajouter et mélanger de nouveau :
  - 1/2 La moitié d'un paquet de 10 onces d'épinards hachés surgelés, décongelés et asséchés par pression
  - 1 tasse (250 ml) de gruyère râpéVerser en le répartissant le mélange du bol sur le fond de champignons/oignon/saucisse. Mélanger avec précautions. Ne pas couvrir cette fois.  
Remettre au four et actionner **START**.
4. À la fin retirer du four et laisser reposer de 3 à 5 minutes.  
*Servir avec une salade verte et des rondelles de tomates pour un brunch.*

## 15 Minute Recipes (La recette donne 6 portions)

### 1. Tortilla au Boeuf

1. Placer dans une casserole de 2 pintes/2l :
  - 1 lb (500 g) de boeuf hachéDéfaire la viande et mettre le couvercle. Appuyer sur la touche **15 MINUTE RECIPES**, sur le chiffre [1] pour sélectionner **TORTILLA AU BOEUR**, puis appuyer sur la touche **START**.
2. À la pause, égoutter le gras et défaire la viande en petits morceaux. Ajouter à la casserole :
  - 1 sac de 10 oz (280 g) d'épinards congelés, hachés décongelés et bien égouttés
  - 1 1/2 tasse (375 ml) de sauce piquante
  - 1 à 3 cuillères à thé (5 à 15 ml) de poudre de chiliBien mélanger. Remettre le couvercle. Appuyer sur la touche **START**.
3. À la fin de la cuisson, bien mélanger et déposer dans 8 tortillas de maïs chaudes. Garnir avec une tasse/250 ml de fromage cheddar râpé.

### 2. Poulet Mexicain

1. Placer par couches superposées dans une casserole de 3 pintes/3l :
  - 2 tasses (500 ml) de riz à cuisson rapide
  - 1 tasse (250 ml) de sauce fajita préparée mélangée avec 1/2 tasse/125 ml de bouillon de poulet ou de consommé
  - 2 sacs de 10 oz (280 g) de légumes assaisonnés (oignon, piment, persil et céleri)
  - 1 lb (500 g) de poitrine de poulet désossée, découpée en fines lanières de 1 po/2,5 cmCouvrir. Appuyer sur la touche **15 MINUTE RECIPES**, sur le chiffre [2] pour sélectionner **POULET MEXICAIN**, puis sur la touche **START**.
2. À la pause, bien mélanger et s'assurer que les lanières de poulet sont bien séparées et mélangées avec le riz et la sauce. Remettre le couvercle. Appuyer sur la touche **START**.
3. À la fin de la cuisson, remuer de nouveau.  
*Servir avec des haricots verts parsemés de beurre et des tortillas grillées.*

# Menu Options

## 15 Minute Recipes (La recette donne 6 portions) CONTINUÉ

### 3. Salade Italilienne

1. Pour faire cuire les pâtes :  
Placer dans une casserole de 3 pintes/3l :  
6 tasses (1.5l) d'eau du robinet très chaude  
Couvrir. Appuyer sur la touche **15 MINUTE RECIPES**, sur le chiffre [3] pour sélectionner SALADE ITALIENNE, puis sur la touche **START**.
2. À la pause, ajouter:  
8 oz (230g) de pâtes tricolores rotini ou fusilli  
1 cuillère à thé (5ml) d'huile à salade  
Ne pas couvrir. Appuyer sur la touche **START**.
3. À la fin de la cuisson, égoutter les pâtes et les mettre de côté.  
Pour faire cuire le poulet :  
Placer dans une assiette à tarte graissée de 9 po/23 cm :  
1 lb (500 g) de poitrine de poulet désossée, découpée en fines lanières de 1 po/2,5 cm  
Couvrir. Appuyer sur la touche **START**.
4. À la pause, remuer et répartir les morceaux moins cuits sur le pourtour de l'assiette. Remettre le couvercle. Appuyer sur la touche **START**.
5. Égoutter et mettre de côté.  
Pour faire la salade :  
Déposer dans un grand bol :  
les rotinis ou fusillis cuits  
la poitrine de poulet cuite  
2 tomates, découpées en huit morceaux  
1/2 tasse (125 ml) d'olives noires tranchées  
1 tasse (250 ml) de fromage mozzarella, râpé  
1/4 tasse (50 ml) d'oignon rouge, haché  
3/4 à 1 tasse (175 à 250 ml) de vinaigrette de type huile et vinaigre additionnée de pesto  
Bien mélanger pour enrober tous les ingrédients.  
*Servir immédiatement ou refroidir et servir plus tard. Délicieux lorsque servi avec de petits pains croustillants chauds.*

### 4. Macaroni au Thon

1. Pour cuire les macaronis:  
Mettre dans une casserole de 3 pintes/3l :  
6 tasses (1,4l) d'eau très chaude du robinet  
Couvrir. Appuyer sur la touche **15 MINUTE RECIPES**, sur le chiffre [4] pour sélectionner Macaroni au Thon puis sur la touche **START**.
2. À la pause, y ajouter :  
2 tasses (500 ml) de coudes de macaroni  
1 cuillère à thé (5 ml) d'huile à salade  
Ne pas couvrir. Appuyer sur la touche **START**.
3. À la fin, égoutter les macaronis et les garder dans la casserole.  
Mélanger dans un bol :  
1 boîte de soupe crème de céleri  
1/2 tasse (125 ml) de lait  
1/2 tasse (125 ml) de crème sure demi-écrémée  
Ajouter aux macaronis de la casserole :  
le mélange soupe/lait/crème sure  
1 boîte de 6,5 onces de thon blanc au naturel, égoutté et émietté  
1 tasse (250 ml) de petits pois surgelés  
1 tasse (250 ml) fromage cheddar râpé  
Sel et poivre suivant le goût  
Bien mélanger le tout. Couvrir. Appuyer sur la touche **START**.
4. À la fin mélanger de nouveau.  
*Servir avec des bâtonnets de carotte fraîche, une salade verte et des petits pains.*

# Menu Options

## 15 Minute Recipes (La recette donne 6 portions) CONTINUÉ

### 5. Mélange du Jardin

1. Mettre dans une casserole de 2,5 pintes/2,5l :

- 1 lb (500 g) de pommes de terre pelées, coupées en 8 puis finement tranchées
- 1 boîte de 14,5 onces de tomate en dés
- 2 cuillère à thé (10 ml) d'ail haché fin
- 1 cuillère à thé (5 ml) de thym

Couvrir. Appuyer sur la touche **15 MINUTE RECIPES**, sur le chiffre **5** pour sélectionner Mélange du Jardin puis sur la touche **START**.

2. À la pause, bien mélanger puis y ajouter :

- 1 paquet assortiment de légumes surgelés à sauter
- 2 tasses (500 ml) de fines tranches de courgette

Couvrir à nouveau. Appuyer sur la touche **START**.

3. À la fin, dresser et saupoudrer de 4 onces de fromage cheddar râpé.

*Servir avec une salade de petites feuilles d'épinards et du melon bien frais.*

## Defrost

La fonction Defrost sert à décongeler automatiquement tous les aliments qui figurent dans les tableaux Super Defrost ou Compu Defrost.

### Super Defrost

Le mode Super Defrost décongèle rapidement les aliments et les poids spécifiés dans le tableau Super Defrost (numéros 1 à 3). Pour ces sélections il n'est pas nécessaire d'entrer le poids.

1. Appuyer sur la touche **DEFROST**. SEE LABEL SELECT FOOD NUMBER.
2. Appuyer sur la touche numérique 2 pour choisir la volaille désossé. 1.0 POUND BONELESS CHICKEN PRESS START.
3. Appuyer sur la touche **START**.  
Le four s'arrêtera afin que les aliments soient vérifiés. L'afficheur indiquera : TURN OVER SEPARATE INTO PIECES. Refermer la porte.

4. Appuyer sur la touche **START**.

5. À la fin de la décongélation, suivez les instructions. LET STAND 3-5 MINUTES.

### REMARQUES :

- Pour décongeler d'autres aliments dont les poids sont supérieurs ou inférieurs à ceux qui sont indiqués dans les tableaux Super Defrost et Compu Defrost, utiliser la puissance 30% et préciser le temps. Se reporter à la page 9 «Décongélation manuelle».
- Les réglages du Defrost peuvent être programmés selon une équivalence de temps supérieure ou inférieure. Appuyer une ou deux fois sur la touche **POWER LEVEL** avant d'appuyer sur la touche **START**.
- Appuyer sur la touche **SETUP/HELP** lorsque le témoin HELP est éclairé.
- Si on tente d'indiquer une quantité supérieure ou inférieure aux quantités indiquées dans le tableau suivant, un message d'erreur s'affiche.

## Tableau de Super Defrost

**\*No es necesario ingresar una cantidad.**

Aliments	Quantité	Marche à suivre
1. Viande hachée*	1,0 lb	À la pause, retourner la viande, retirer toute partie décongelée et couper le reste en morceaux. Après la cuisson, couvrir et laisser reposer 3 à 5 minutes.
2. Poulet désossé*	1,0 lb	À la pause, retourner le poulet et le séparer en morceaux. Après la cuisson, couvrir et laisser reposer 3 à 5 minutes.
3. Morceaux de poulet avec os*	2,0 lb	À la pause, retourner les aliments et séparer en morceaux. Après la cuisson, couvrir et laisser reposer 3 à 5 minutes.

### REMARQUE POUR SUPER DEFROST :

Le programme Super Defrost décongèle juste assez pour que les aliments puissent être utilisés dans une recette ou pour la cuisson. Il restera quelques cristaux de glace.



# Menu Options

## Compu Defrost

1. Appuyer sur la touche **DEFROST**. SEE LABEL SELECT FOOD NUMBER.
2. Sélectionner le réglage désiré dans Defrost en appuyant sur la touche numérique. Par exemple : appuyer sur le chiffre 5 pour choisir le steak. STEAKS CHOPS OR FISH ENTER WEIGHT IN POUNDS. Entrer le poids. Par exemple, appuyer sur les chiffres [2] et [0] pour indiquer 2,0 lb. 2.0 POUNDS PRESS START.
3. Appuyer sur la touche **START**.  
Le four cesse de fonctionner pour permettre que les aliments puissent être vérifiés. L'afficheur indique :  
TURN FOOD OVER COVER EDGES.
4. À la fin de la première étape, ouvrir la porte. Retourner le bifteck et protéger les parties chaudes. Refermer la porte. Appuyer sur la touche **START**.
5. À la fin de la seconde étape, ouvrir la porte. Protéger les parties chaudes. CHECK FOOD COVER EDGES. Refermer la porte. Appuyer sur la touche **START**.
6. À la fin de la décongélation, couvrir et laisser reposer conformément au tableau Auto Defrost ci-dessous. LET STAND COVERED.

## Tableau de Compu Defrost

Aliments	Quantité	Marche à suivre
4. Viande hachée	0,5 à 3,0 lb	Retirer les parties décongelées après chaque étape. À la fin de la décongélation, laisser reposer à couvert de 5 à 10 minutes.
5. Biftecks côtelettes ou poisson	0,5 à 4,0 lb	Après chaque étape du cycle de décongélation, changer la disposition des aliments et protéger les parties chaudes ou décongelées au moyen de bandes de papier d'aluminium. Retirer les morceaux presque entièrement décongelés. À la fin de la décongélation, laisser reposer à couvert de 10 à 20 minutes.
6. Morceaux de poulet	0,5 à 3,0 lb	Après chaque étape du cycle de décongélation, changer la disposition et, si des morceaux sont chauds ou décongelés, les retirer. À la fin de la décongélation, laisser reposer à couvert de 10 à 20 minutes.
7. Rôti	2,0 à 4,0 lb	Mettre les parties grasses en dessous. Après chaque étape de décongélation, retourner et protéger les parties chaudes au moyen de bandes de papier d'aluminium. À la fin de la décongélation, laisser reposer à couvert de 30 à 60 minutes.
8. Casserole ou soupe	1 à 8 tasses	Si possible, remuer lorsque le four émet un signal sonore. À la fin de la décongélation, remuer soigneusement et laisser reposer à couvert de 5 à 10 minutes.

### REMARQUE POUR COMPU DEFROST :

Vérifier les aliments lorsque le four émet un signal sonore. Après la dernière étape, des petites portions peuvent être encore gelées. Laisser reposer de manière à ce que la décongélation se poursuive.

Ne pas décongeler jusqu'à ce que tous les cristaux de glace soient fondus. Protéger les grosses pièces de viande est une bonne technique car on évite la cuisson partielle alors que le cœur est encore congelé. Utiliser des bandes de papier d'aluminium pour protéger les bords et les parties minces des pièces à décongeler.



# Menu Options

## Beverages

La fonction Beverages permet de réchauffer le café ou le thé ou de faire du café ou du thé instantané.

1. Appuyer sur la touche **BEVERAGES**. SEE LABEL SELECT FOOD NUMBER.
2. Sélectionner le réglage Beverages voulu en actionnant la touche du numéro correspondant. Par exemple : la touche numéro [2] pour café réchauffé. REHEAT CONTINUE PRESSING 2 FOR CUPS. Entrer ensuite la quantité en actionnant la même touche de numéro [2] plusieurs fois. Par exemple : actionner la touche [2] quatre fois.
3. Appuyer sur la touche **START**.

### REMARQUES:

- La durée de cuisson commandée par Beverages peut être modifiée. Appuyer une ou deux fois sur la touche **POWER LEVEL** après avoir choisi la valeur. Se reporter à la page 22.
- Pour obtenir des conseils, appuyer sur la touche **SETUP/HELP** lorsque l'indicateur HELP est affiché.
- Si on tente de préciser un poids supérieur ou inférieur aux limites permises, un message d'erreur s'affiche. Si la quantité d'aliments est inférieure ou supérieure à celle du tableau, on doit tenir compte des conseils fournis dans un livre de cuisine pour four à micro-ondes.

## Tableau de Beverages

Aliments	Quantité	Marche à suivre
1. Faire du café ou thé	1 à 4 tasses	Utiliser ce réglage pour chauffer de L'EAU DU ROBINET à une température approchant le point d'ébullition pour faire du café ou du thé instantané. Appuyer sur la touche [1] pour une augmentation de 1 tasse par pression. Bien remuer le liquide avant et après le réchauffage pour éviter une «éruption».
2. Réchauffage	0,5 à 2 tasses	Ce réglage convient pour réchauffer une boisson qui s'est refroidie. Appuyer sur la touche [2] pour une augmentation d'une demi-tasse par pression. Remuer après le réchauffage.

# Autres Particularités Pratiques

## Setup/Help

La touche Setup/Help facilite l'emploi du four en permettant l'affichage d'instructions pour 4 fonctions.

### 1. Verrouillage de sécurité

Le verrouillage de sécurité vise à empêcher que le four soit utilisé par de jeunes enfants. Le four peut être réglé de telle sorte que le tableau de commande est inopérant ou verrouillé. Pour le réglage, appuyer sur la touche **SETUP/HELP**, le chiffre [1] et la touche **START**. Si on appuie sur une touche, l'affichage indique CHILD LOCK will appear in the display.

Pour annuler, appuyer sur **SETUP/HELP** et **STOP/CLEAR**.

### 2. Suppression du signal sonore

Si on désire que le four n'émette pas de signal sonore pendant son fonctionnement, appuyer sur la touche

**SETUP/HELP**, la touche [2] la touche **STOP/CLEAR**.

Pour rétablir l'émission du signal sonore, appuyer sur la touche **SETUP/HELP**, la touche [2] la touche **START**.

### 3. Démarrage automatique

Si on désire programmer le four de façon à ce qu'il commence la cuisson à une heure précise, procéder comme suit :

Par exemple : Commencer la cuisson d'un ragoût à 4:30 au niveau 50 %, pendant 20 minutes. Avant tout, s'assurer que l'horloge indique l'heure exacte.

1. Appuyer sur la touche **SETUP/HELP** et le réglage [3].
2. Préciser l'heure [4] [3] [0].
3. Appuyer sur la touche **TIMER/CLOCK**.
4. Indiquer le temps de cuisson. [2] [0] [0] [0]. Appuyer sur la touche **POWER LEVEL** 6 fois pour une puissance de 50%.
5. Appuyer sur la touche **START**.

# Autres Particularités Pratiques

## REMARQUES:

- Si l'horloge est correctement réglée, le démarrage automatique peut être utilisé pour le fonctionnement manuel.
- Si on ouvre la porte du four après avoir programmé un démarrage automatique, il faut à nouveau appuyer sur la touche **START** de manière à afficher l'heure à laquelle doit commencer la cuisson, faute de quoi celle-ci ne débutera pas à l'heure prévue.
- S'assurer que les aliments peuvent être conservés sans risque dans le four jusqu'à l'heure de leur cuisson. Les courges et potirons font partie de ceux-là.
- Pour connaître l'heure, appuyer sur la touche Clock. L'heure est affichée aussi longtemps que l'on maintient la pression d'un doigt sur cette touche.

## 4. Choix de la langue et des unités de poids

Par défaut, ce four affiche les messages et les unités de poids en anglais. Pour changer cela, appuyer sur la touche **SETUP/HELP** et sur la touche [4] autant de fois qu'il est nécessaire pour obtenir la langue et le système d'unités souhaité. Enfin, appuyer sur la touche **START**.

Appuyer sur la touche [4] pour choisir la langue et le système d'unités.

Nombre de pressions sur 4	Langue	Unité de poids affichée	Afficheur
Une fois	Anglais	Livre	ENGLISH LB
Deux fois	Anglais	Kilo	ENGLISH KG
3 fois	Espagnol	Livre	ESPAÑOL LB
4 fois	Espagnol	Kilo	ESPAÑOL KG
5 fois	Français	Livre	FRANCAIS LB
6 fois	Français	Kilo	FRANCAIS KG

## Help

Il y a un conseil de cuisson pour chaque réglage. Si vous voulez en prendre connaissance appuyer sur **SET UP/HELP** chaque fois que HELP est affiché pour ces réglages et les autres opérations manuelles.

## Timer

Pour régler le minuteur :

1. Appuyer sur la touche **TIMER/CLOCK**.
2. Appuyer sur la touche [1].
3. Appuyer sur la touche de nombre pour entrer le temps.
4. Appuyer sur la touche **TIMER/CLOCK**. La minuterie (Timer) comptera à rebours.

À la fin du cycle de la minuterie (Timer), l'afficheur indiquera le message suivant : **TIMER IS FINISHED**.

### REMARQUE :

Pour annuler la minuterie durant la programmation, actionner la touche **STOP/CLEAR**.

## Séquence de Cuisson Multiple

Le four peut être programmé pour 4 séquences automatiques de cuisson, passant d'un niveau de puissance à un autre automatiquement.

Parfois, les conseils de cuisson suggèrent de commencer à un certain niveau de puissance et de poursuivre à un autre niveau. Ce four peut être programmé pour cela.

1. Entrer d'abord le temps de cuisson. Puis appuyer sur la touche **POWER LEVEL** pour la cuisson à 100% ou appuyer de nouveau sur **POWER LEVEL** pour un niveau plus faible.
2. Entrer le second temps de cuisson. Appuyer répétitivement sur la touche **POWER LEVEL** jusqu'au niveau de puissance désiré. Vous pouvez faire cette marche à suivre jusqu'à 4 fois.
3. Appuyer sur la touche **START**.

### REMARQUES :

- Si le niveau 100 % doit être utilisé au cours de la dernière séquence, il n'est pas nécessaire d'appuyer sur la touche **POWER LEVEL**.
- Si vous voulez savoir le niveau de puissance, appuyer simplement sur la touche **POWER LEVEL**. Aussi longtemps que votre doigt appuie sur la touche **POWER LEVEL**, le niveau de puissance sera affiché.
- Keep Warm peut être programmé même si 4 séquences de cuisson ont été réglées.

# Autres Particularités Pratiques

## Keep Warm

Keep Warm vous permet de conserver les aliments au chaud jusqu'à 30 minutes. Pour l'utiliser, actionner simplement la touche **KEEP WARM** et entrer la durée voulue en minutes (jusqu'à 30). Vous pouvez également programmer Keep Warm avec le mode de cuisson manuel pour conserver les aliments chauds après leur temps de cuisson.

### Utilisation simple

1. Appuyer sur la touche **KEEP WARM**.
2. Entrer la durée désirée en appuyant sur les chiffres. Pour entrer 30 minutes appuyer sur **3** **0** **0** **0**.
3. Appuyer sur la touche **START**.

Le four se mettra en marche. L'afficheur indiquera **30:00** et le compte à rebours. **KEEP WARM** sera affiché pendant le compte à rebours.

### Avec cuisson en mode manuel

1. Entrer le temps de cuisson et le niveau de puissance.
2. Appuyer sur la touche **KEEP WARM**.
3. Entrer la durée de réchauffage désirée jusqu'à 30 minutes.
4. Appuyer sur la touche **START**.

L'opération démarrera. Quand la durée de cuisson est terminée, une longue tonalité résonnera et Micro Warm démarrera. L'afficheur indiquera le compte à rebours **KEEP WARM** sera affiché de manière intermittente pendant le compte à rebours.

#### REMARQUE :

- Keep Warm ne peut pas être programmé avec Pop-corn, Reheat, Sensor Cooking, Defrost ou Reheat.

## Mode de démonstration

La démonstration du fonctionnement du four s'obtient en appuyant sur la touche **TIMER/CLOCK**, la touche **0** et la touche **START** pendant 3 secondes. L'indication **DEMO ON DURING DEMO NO OVEN POWER**. Les différents modes de cuisson et les particularités du four peuvent alors être étudiés sans qu'aucune puissance ne soit utilisée. Par exemple, en appuyant sur **EASY MINUTE** on affiche **1:00** et on provoque un compte à rebours rapide jusqu'à **END**.

Pour annuler, appuyer sur la touche **TIMER/CLOCK**, puis sur le chiffre **0** et **STOP/CLEAR**. Si cela est plus facile, débrancher le four de la prise électrique et le rebrancher.

## Easy Minute

Easy Minute vous permet de cuire pendant une minute à 100 % simplement en appuyant sur la touche **EASY MINUTE**. Vous pouvez aussi prolonger la durée de cuisson de multiples fois 1 minute en appuyant répétitivement sur **EASY MINUTE** en mode manuel de cuisson.

#### REMARQUES :

- Pour utiliser EASY MINUTE, appuyer sur la touche dans les trois minutes après la cuisson, en fermant la porte ou en appuyant sur la touche **STOP/CLEAR**.
- On ne peut pas utiliser Easy Minute avec Sensor Cooking, Menu Options ou Keep Warm.

## Start

Start permet de cuire à puissance maximale (100 %) aussi longtemps que l'on maintient la pression d'un doigt sur la touche **START**. Start est parfait pour faire fondre du fromage, porter du lait à une température tout juste inférieure à la température d'ébullition, etc. La durée maximale d'utilisation est de 3 minutes.

1. Maintenir la pression d'un doigt sur la touche **START**. La durée s'affiche.
2. Lorsque le fromage a atteint l'onctuosité désirée, relâcher la pression du doigt sur la touche **START**. Le four cesse immédiatement de fonctionner.

#### REMARQUES :

- Noter les temps nécessaires à diverses opérations fréquentes et les programmer pour une utilisation future.
- La touche **START** n'a d'effet que dans la minute suivant une cuisson, l'ouverture et la fermeture de la porte ou une pression sur la touche **STOP/CLEAR**.
- La touche Start ne peut être utilisée que trois fois de suite. Si plus de temps est nécessaire, ouvrir et fermer la porte ou la clé **STOP/CLEAR** de touche.

## Réglage des Temps de Cuisson

Si on préfère accroître le réglage Sensor, Reheat ou Defrost d'appuyer sur la touche Power Level une fois appuyer sur la touche **POWER LEVEL** une fois appuyer sur la touche **START**. L'affichage indique **MORE**.

Si on préfère diminuer le réglage, appuyer sur la touche **POWER LEVEL** deux fois avant d'appuyer sur la touche **START**. L'affichage indique **LESS**.

# Nettoyage et Entretien

**Débrancher le cordon secteur avant de nettoyer, ou laisser la porte ouverte pour inactiver le four micro-ondes durant son nettoyage.**

---

## Tableau de Commandes

---

Nettoyer le tableau de commandes avec soin. Ouvrir la porte du four avant de le nettoyer. Essuyer le tableau de commande avec un chiffon humecté d'eau. Sécher avec un chiffon doux. N'utiliser ni poudre à récurer ni produits chimiques de nettoyage. Refermer la porte et appuyer sur la touche **STOP/CLEAR**.

---

## Porte

---

Essuyer les deux surfaces du hublot à l'aide d'un chiffon humide pour enlever les éclaboussures. Il est plus facile de nettoyer les parties métalliques si on les essuie fréquemment avec un chiffon humide. Éviter tout emploi de produits nettoyants vaporisés ou abrasifs car ils peuvent tacher, strier ou ternir la surface de la porte.

Les nettoyants qui sont conçus spécialement pour être utilisés avec l'acier inoxydable peuvent être utilisés. Suivre à la lettre les instructions sur l'emballage. Éviter d'utiliser un nettoyant abrasif ou un nettoyant qui n'est pas conçu spécialement pour être utilisé avec l'acier inoxydable étant donné que cela peut tacher, strier ou ternir la surface de la porte.

---

## Autres Surfaces Extérieure

---

La surface extérieure est recouverte d'une couche de peinture. Nettoyer la surface extérieure à l'eau et au savon; rincer et sécher au moyen d'un chiffon doux. Ne pas utiliser de produits chimiques de nettoyage ou de produits abrasifs.

---

## Couvercle du Guide d'ondes

---

Le couvercle du guide d'ondes est en mica et nécessite donc une attention spéciale. Maintenir le couvercle du guide d'ondes propre pour assurer un bon fonctionnement du four. Essuyer immédiatement et délicatement avec un chiffon humide toute éclaboussure d'aliments sur la surface du couvercle. Une accumulation d'éclaboussures peut surchauffer et causer de la fumée ou même s'enflammer. Ne pas retirer le couvercle du guide d'ondes.

---

## Plateau Tournant et Support de Plateau Tournant

---

Le plateau tournant et son support peuvent être retirés pour faciliter le nettoyage. Les laver dans une eau douce savonneuse; pour les taches tenaces, utiliser un nettoyant doux et une éponge à récurer tel que décrit ci-dessus. Ces pièces peuvent être mises dans un lave-vaisselle. Les placer sur le plateau supérieur. L'arbre du moteur du plateau tournant n'est pas scellé et il faut donc essuyer immédiatement tout surplus d'eau ou déversement.

---

## Autres Parois Intérieures

---

Le nettoyage est facile car les parois intérieures n'absorbent qu'une faible quantité de chaleur de telle sorte que les éclaboussures ne cuisent pas. Pour nettoyer les parois intérieures, utiliser un chiffon doux et de l'eau tiède. **NE PAS UTILISER UN PRODUIT ABRASIF OU UN TAMPON À RÉCURER.** Pour les taches tenaces, utiliser du bicarbonate de sodium ou un savon doux. Bien rincer à l'eau chaude. **NE JAMAIS VAPORISER DE PRODUIT À NETTOYER LES FOURS DIRECTEMENT SUR L'UNE OU L'AUTRE PARTIE DE VOTRE FOUR À MICRO-ONDES.**

---

## Désodorisation

---

Il peut arriver qu'une odeur persiste dans le four. Pour l'éliminer, mettre dans un récipient pouvant contenir 2 tasses, 1 tasse d'eau, le zeste d'un citron, le jus du citron et plusieurs clous de girofle entiers. Faire bouillir pendant plusieurs minutes à 100%. Conserver ce récipient dans le four jusqu'à ce qu'il soit froid. Essuyer l'intérieur du four avec un chiffon doux.

# Appel de service

Vérifier ce qui suit avant de faire appel à un réparateur :

Placer une tasse d'eau dans un verre gradué dans le four et bien fermer la porte.  
Faire fonctionner le four pendant 1 minute à puissance ÉLEVÉE 100%.

A Est-ce que la lumière du four est allumée?	OUI _____	NON _____
B Est-ce que le ventilateur de cuisson fonctionne? (Placer sa main sur l'évent à lame à l'arrière du four.)	OUI _____	NON _____
C Est-ce que le plateau tournant tourne? (Il est normal pour le plateau de tourner dans un sens ou dans l'autre.)	OUI _____	NON _____
D Est-ce que l'eau est chaude?	OUI _____	NON _____

Si la réponse à l'une ou l'autre de ces questions est NON, vérifier la prise électrique, le fusible ou le disjoncteur. S'ils fonctionnent convenablement, COMMUNIQUER AVEC LE RÉPARATEUR DACOR AUTORISÉ LE PLUS PROCHE.

**Il ne faut jamais réparer un four à micro-ondes soi-même.**

## REMARQUE :

Si le temps qui apparaît dans l'affichage diminue très rapidement, vérifier le MODE DE DÉMONSTRATION à la page 22 et annuler.

# Fiche Technique

Tension d'alimentation :	Monophasé 120 V, 60 Hz, courant alternatif seulement
Alimentation requise :	1 500 W 13,0 A
Puissance micro-ondes de sortie :*	1 100 W
Fréquence :	2 450 MHz
Dimensions extérieures :	24 (W) x 13 <sup>3</sup> / <sub>8</sub> (H) x 19 <sup>1</sup> / <sub>4</sub> " (D) po
Dimensions de la cavité :	17 <sup>3</sup> / <sub>8</sub> (W) x 10 <sup>1</sup> / <sub>2</sub> (H) x 18 <sup>5</sup> / <sub>8</sub> (D) po
Capacité du four :**	2.0 pi <sup>3</sup> (56,6 l)
Uniformité de cuisson :	Plateau tournant, le diamètre 16 po
Poids :	Environ 46 lb (20,9 kg)

\* Método estandarizado de la Comisión Electrotécnica Internacional para la medición de la potencia en vatios de salida. Este método de prueba es ampliamente reconocido.


\*\* La capacité intérieure est calculée en mesurant la largeur maximale, la profondeur maximale et la hauteur maximale et en multipliant ces mesures. La contenance réelle est inférieure au résultat obtenu.

Cumple con las normas establecidas por :

SBSC - Santé et Bien-être social Canada.

FCC - Federal Communications Commission authorized.

DHHS - Conforme au règlement CFR Title 21 chapitre I section J du Department of Health and Human Services.

 - Ce symbole sur la plaque signalétique signifie que le produit est homologué par Underwriters Laboratories, Inc. pour utilisation aux États-Unis ou au Canada.

# Garantie du Produit

## Ce Qui Est Couvert

CERTIFICAT DE GARANTIE

microwave oven DACOR

DANS LES CINQUANTE ÉTATS DES É.-U., LE DISTRICT DE COLUMBIA ET AU CANADA\* :

GARANTIE COMPLÈTE D'UN AN

Si votre produit DACOR cesse de fonctionner durant l'année qui suit la date initiale d'achat, à cause d'un défaut de matériel ou de main-d'œuvre, DACOR corrigera le défaut sans frais pour vous ou les usages ultérieurs. Le propriétaire devra fournir une preuve d'achat sur demande et l'appareil devra être accessible pour la réparation.

\* La garantie est nulle et non avenue si un produit non approuvé CSA est transporté des É.-U.

HORS DES CINQUANTE ÉTATS DES É.-U., LE DISTRICT DE COLUMBIA ET AU CANADA :

GARANTIE LIMITÉE À LA PREMIÈRE ANNÉE

Si votre produit DACOR cesse de fonctionner durant l'année qui suit la date initiale d'achat, à cause d'un défaut de matériel ou de main-d'œuvre, DACOR fournira une nouvelle pièce, FAB en usine, pour remplacer la pièce défectueuse. Tous les frais de livraison, installation et main-d'œuvre sont la responsabilité de l'acheteur. Le propriétaire devra fournir une preuve d'achat sur demande et l'appareil devra être accessible pour la réparation.

## Ce Qui N'est Pas Couvert

- Une panne du produit causée par une mauvaise installation, un usage inadéquat, ou un manque de l'entretien requis.
- Les appels de service pour former le client aux bons usage et entretien du produit.
- Une panne du produit s'il est utilisé pour le commerce, les affaires ou la location ou pour tout autre application que pour l'usage résidentiel du client.
- Le remplacement des fusibles ou des boîtes de fusibles de la maison ou le réenclenchement des disjoncteurs.
- Les dommages au produit causés par accident, incendie, inondation ou autres actes de Dieu.
- Le bris, la décoloration ou les dommages au verre, aux surfaces métalliques, aux composantes plastiques, aux garnitures, à la peinture, la porcelaine ou autre fini esthétique, causés par un usage ou un entretien inadéquats, un abus ou par négligence.

**LES RECOURS OFFERTS DANS LES GARANTIES EXPRESSES CI-DESSUS SONT LES RECOURS UNIQUES ET EXCLUSIFS; PAR CONSÉQUENT AUCUNE AUTRE GARANTIE EXPRESSE N'EST OFFERTE, ET HORS DES CINQUANTE ÉTATS DES É.-U., LE DISTRICT DE COLUMBIA ET AU CANADA, AUCUNE GARANTIE IMPLICITE, Y COMPRIS MAIS SANS Y ÊTRE LIMITÉE, TOUTE GARANTIE IMPLICITE DE QUALITÉ MARCHANDE ET D'ADAPTATION À UN USAGE PARTICULIER POUR UN ACHAT. EN AUCUN CAS, DACOR NE SERA TENU RESPONSABLE POUR DES FRAIS ACCESSOIRES OU DES DOMMAGES INDIRECTS. AUCUNE GARANTIE N'EST OFFERTE, EXPRESSE OU IMPLICITE À UN ACHETEUR POUR LA REVENTE.**

Certains états ou provinces n'autorisent pas de restriction à la durée d'une garantie implicite ni l'exclusion ou la restriction de dommages accessoires ou indirects; les restrictions ou exclusions pourraient donc ne pas s'appliquer à vous. Cette garantie vous donne des droits particuliers et vous pourriez également avoir d'autres droits qui varient selon les états et provinces.

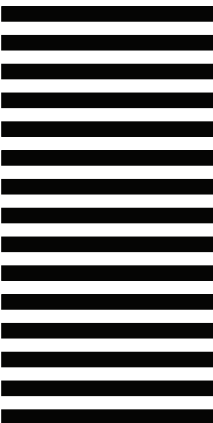




fold here



NO POSTAGE  
NECESSARY  
IF MAILED  
IN THE  
UNITED STATES



**BUSINESS REPLY MAIL**  
FIRST-CLASS MAIL PERMIT NO 1600 CITY OF INDUSTRY CA

POSTAGE WILL BE PAID BY ADDRESSEE

**DACOR  
ATTN WARRANTY PROCESSING DEPT  
PO BOX 90070  
CITY OF INDUSTRY CA 91715-9907**



# WARRANTY INFORMATION



**IMPORTANT:**

Your warranty will not be activated until you activate it online or return this form to Dacor. If you have purchased more than one Dacor product, please return all forms in one envelope or activate the warranty for each product online.

Please rest assured that under no conditions will Dacor sell your name or any of the information on this form for mailing list purposes. We are very grateful that you have chosen Dacor products for your home and do not consider the sale of such information to be a proper way of expressing our gratitude!

Owner's Name: \_\_\_\_\_  
Last (Please Print or Type) First Middle

Street: \_\_\_\_\_

City: \_\_\_\_\_ State: \_\_\_\_\_ Zip: \_\_\_\_\_

Purchase Date: \_\_\_\_\_ Email: \_\_\_\_\_ Telephone: \_\_\_\_\_

Dealer: \_\_\_\_\_

City: \_\_\_\_\_ State: \_\_\_\_\_ Zip: \_\_\_\_\_

Your willingness to take a few seconds to fill in the section below will be sincerely appreciated. Thank you.

1. How were you **first** exposed to Dacor products? (Please check one only.)

- A. T.V. Cooking Show
- B. Magazine
- C. Appliance Dealer Showroom
- D. Kitchen Dealer Showroom
- E. Home Show
- F. Builder
- G. Architect/Designer
- H. Another Dacor Owner
- I. Model Home
- J. Other \_\_\_\_\_

2. Where did you buy your Dacor appliances?

- A. Appliance Dealer
- B. Kitchen Dealer
- C. Builder Supplier
- D. Builder
- E. Other \_\_\_\_\_

3. For what purpose was the product purchased?

- A. Replacement **only**
- B. Part of a Remodel
- C. New Home
- D. Other \_\_\_\_\_

4. What is your household income?

- A. Under \$75,000
- B. \$75,000 – \$100,000
- C. \$100,000 – \$150,000
- D. \$150,000 – \$200,000
- E. \$200,000 – \$250,000
- F. Over \$250,000

5. What other brands of appliances do you have in your kitchen?

- A. Cooktop \_\_\_\_\_
- B. Oven \_\_\_\_\_
- C. Dishwasher \_\_\_\_\_
- D. Refrigerator \_\_\_\_\_

6. Would you buy or recommend another Dacor product?

- Yes
- No

Comments: \_\_\_\_\_

Thank you very much for your assistance. The information you have provided will be extremely valuable in helping us plan for the future and giving you the support you deserve.

