



## 30-INCH DOUBLE WALL OVEN

DOB30P977D | TRANSITIONAL STYLE



### AVAILABLE MODELS

DOB30P977DS Transitional 30" Double Wall Oven - Silver Stainless

### FEATURES & BENEFITS

- Exclusive Four-Part Dual Pure Convection - heat, air, baffle and filter to precisely distribute heat for superior cooking results.
- Steam and Convection Oven - the power of steam assist and convection cooking in one.
- Large oven capacity: 5.1 / 5.1 cu. ft.
- Easy to use / refill water reservoir for steam cooking.
- 7" LCD control panel with Illumina™ knobs.
- BrightVue™ - integrated LED lights in the oven door + Halogen lights.
- SoftShut™ oven doors.
- SmartThings app with integrated Wi-Fi to control and monitor remotely.

### ACCESSORIES (INCLUDED)

GLIDERACK™	1 (UPPER) / 2 (LOWER)
STANDARD RACK	2 (UPPER) / 1 (LOWER)
TEMPERATURE PROBE	1 (UPPER)
MESH FILTER	4
AUTOMATIC WATER RESERVOIR	1 (UPPER)

### ACCESSORIES (OPTIONAL)

COOKIE SHEETS (SET OF 3)	SKU - ACSM303
--------------------------	---------------

### GENERAL PROPERTIES

COOKING MODES  
UPPER CAVITY

BAKE, BROIL, CONVECTION  
BAKE, CONVECTION ROAST,  
CONVECTION BROIL, STEAM  
BAKE, STEAM ROAST

COOKING MODES  
LOWER CAVITY

BAKE, BROIL, CONVECTION  
BAKE, CONVECTION ROAST,  
CONVECTION BROIL

### ADDITIONAL FEATURES

CLEANING TYPE	SELF CLEAN & HYBRID CLEAN
CONTROLS	7" TFT LCD + ILLUMINA™ KNOBS
WI FI	YES
RACK POSITIONS	6
CONVECTION TYPE	FOUR PART DUAL PURE CONVECTION
LIGHTING	BRIGHTVUE™ - LED + HALOGEN

### OVEN PERFORMANCE

BAKE ELEMENT	3,000W - 8 PASS
BROIL ELEMENT	4,400W - 10 PASS
CONVECTION ELEMENT	1,300W (EACH - 2,600W TOTAL)
STEAM RESERVOIR	650mL

### CONTROL FEATURES

DELAY START	YES (BOTH OVENS)
KITCHEN TIMER	YES (BOTH OVENS)
SABBATH MODE	YES
CHILD LOCK	YES

### ADDITIONAL MODES

KEEP WARM	YES (BOTH OVENS)
HEALTHY COOK	YES (BOTH OVENS)
PROOF	YES (LOWER OVEN)
STEAM PROOF	YES (UPPER OVEN)
DEHYDRATE	YES (BOTH OVENS)
CHEF MODE	YES (BOTH OVENS)
INSTANTHEAT™	YES (BOTH OVENS)
TEMPERATURE PROBE	YES (UPPER OVEN)
AUTO CONVERSION	YES

### TECHNICAL DETAILS

CIRCUIT BREAKER (A)	50 / 40
VOLTS (V)	240 / 208
FREQUENCY (HZ)	60
ENERGY SOURCE	ELECTRIC

### DIMENSIONS & WEIGHT

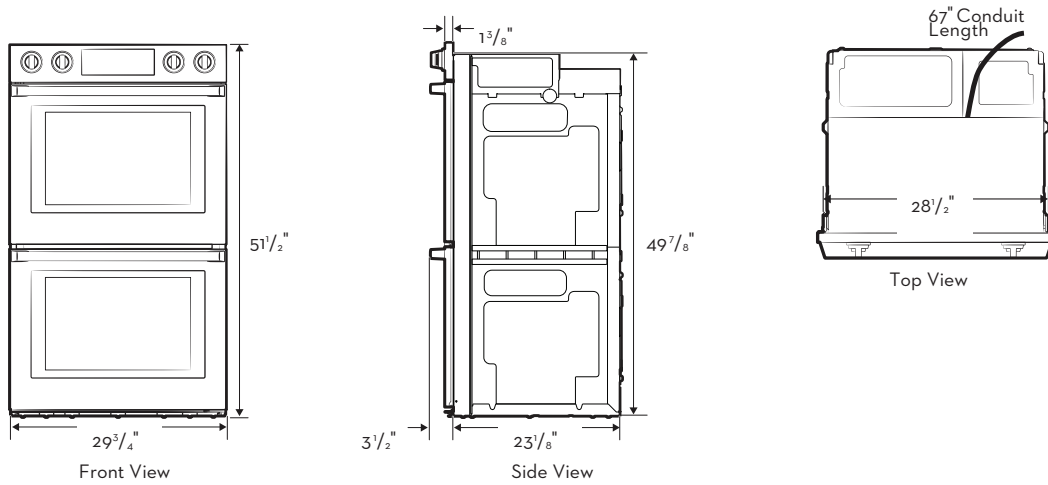
APPLIANCE DIMENSIONS (W X H X D) (IN.)	29 3/4" X 51 1/2" X 24 1/2"
REQUIRED CUTOUT SIZE (W X H X D) (IN.) (FLUSH)	30 1/4" X 51 7/8" X 24 7/8"
OVEN CAPACITY (CUBIC FEET)	5.1 / 5.1
NET WEIGHT (LBS)	336

### WARRANTY

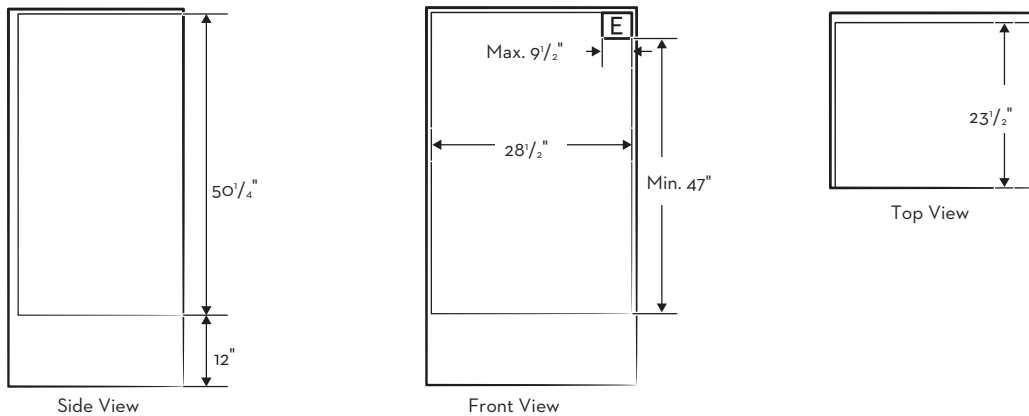
LIMITED, PARTS AND LABOR	2 YEARS
--------------------------	---------

# dacor 30-INCH DOUBLE WALL OVEN

## APPLIANCE DIMENSIONS



## INSTALLATION CUTOUT DIMENSIONS (STANDARD)



## INSTALLATION CUTOUT DIMENSIONS (FLUSH)

