

HWO227, HWO230

All tolerances: $\pm 1/16"$ (± 1.6 mm) unless otherwise stated.



Heritage® 27" and 30" Wide Double Wall Oven

PLANNING GUIDE

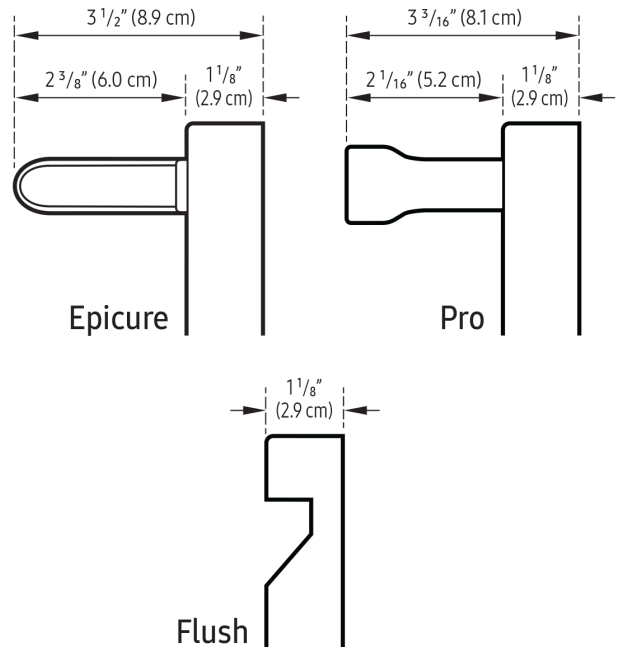
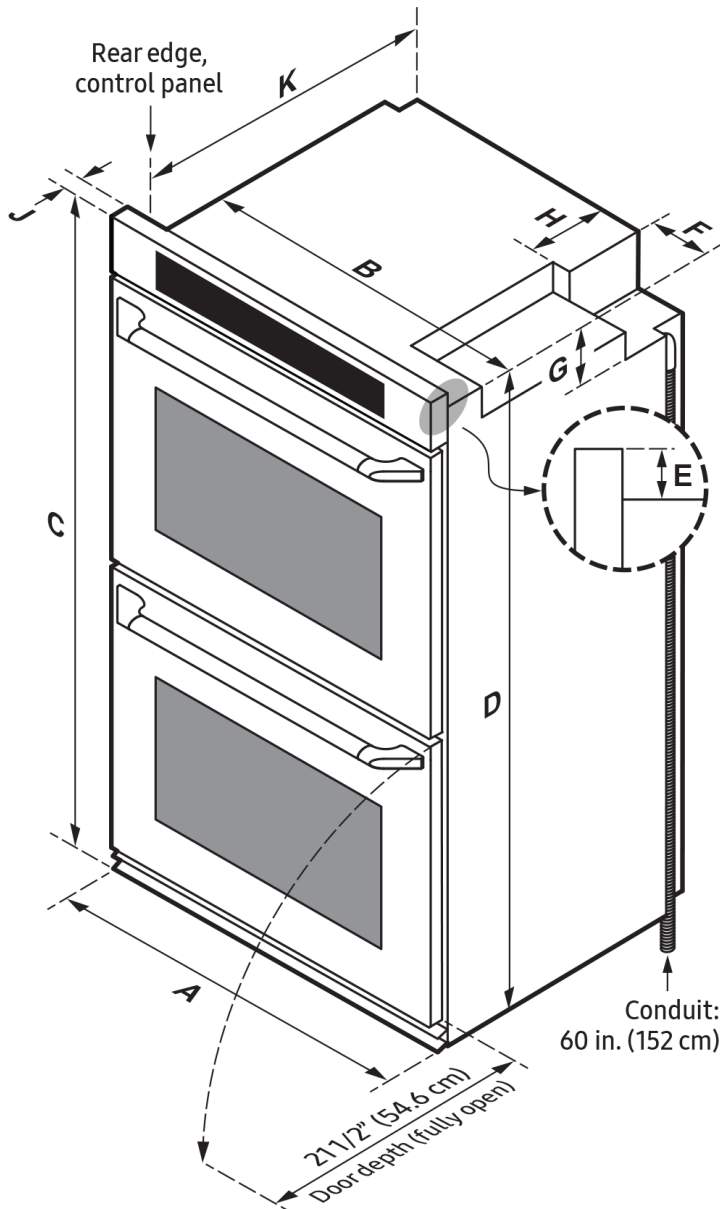
⚠ WARNING

- Observe all governing codes and ordinances during planning and installation. Contact your local building department for details.
- This oven must be installed as specified in the installation instructions.

HWO ELECTRICAL SPECIFICATIONS

Model	Dedicated Circuit Requirements	Total Connected Load
HWO227	240 Vac 60 Hz, 4-wire*, 40 Amp.	240 Vac 60 Hz, 39.4 Amp., 9.5 kW
HWO230	240 Vac 60 Hz, 4-wire*, 50 Amp.	240 Vac 60 Hz, 48.6 Amp., 12.0 kW

*Two 120 Vac hot (L1 and L2), one neutral, one ground; the above specifications are for reference only. See the appliance data plate for exact specifications.



Handle Dimensions

HWO WALL-OVEN DIMENSIONS

Model	(A) Overall Width	(B) Chassis Width	(C) Overall Height	(D) Chassis Height	(E) Control Panel Overlay	(F) Utility Cutout Width	(G) Utility Cutout Height	(H) Utility Cutout Depth	(J) Control Panel Depth	(K) Chassis Depth
HWO227	26 7/8" (68.3 cm)	25 1/2" (64.8 cm)	50 1/4" (127.6 cm)	49 5/8" (126.0 cm)	1 1/8" (2.9 cm)	6 1/2" (16.5 cm)	5" (12.7 cm)	7 7/8" (20.0 cm)	1 1/4" (3.2 cm)	24" (61.0 cm)
HWO230	29 7/8" (75.9 cm)	28 1/2" (72.4 cm)								

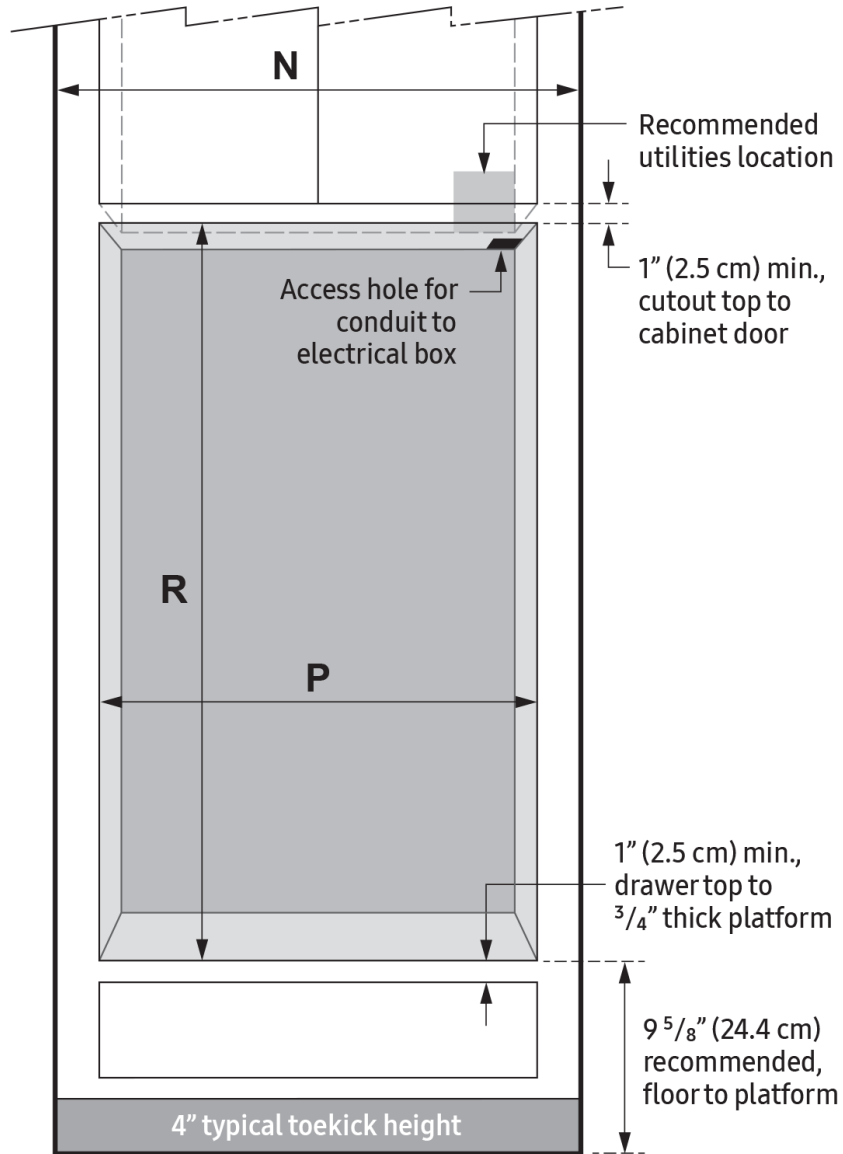
HWO227, HWO230

All tolerances: $\pm 1/16"$ (± 1.6 mm) unless otherwise stated.



Heritage® 27" and 30" Wide Double Wall Oven

PLANNING GUIDE



CABINET CUTOUT DIMENSIONS

Model	(N) Min. Cab't Width	(P) Cutout Width	(R) Cutout Height
HWO227	27" (68.6 cm)	25 $5/8"$ (65.1 cm) min. (recommended); 26 $1/8"$ (66.4 cm) max.	50" (127.0 cm)
HWO230	30" (76.2 cm)	28 $5/8"$ (72.7 cm) min. (recommended); 29 $1/8"$ (74.0 cm) max.	
Minimum interior cabinet depth: 24" (61.0 cm)			