



30-INCH DOUBLE WALL OVEN

HWO230 | HERITAGE COLLECTION



AVAILABLE MODELS

| | |
|----------|--|
| HWO230ES | Heritage 30" Double Wall Oven - Stainless Steel with Epicure Style Handle |
| HWO230PS | Heritage 30" Double Wall Oven - Stainless Steel with Pro Style Handle |
| HWO230FS | Heritage 30" Double Wall Oven - Stainless Steel with Flush Handle |
| HWO230EC | Heritage 30" Double Wall Oven - DacorMatch Color System with Epicure Style Color Matching Handle |
| HWO230PC | Heritage 30" Double Wall Oven - DacorMatch Color System with Pro Style Color Matching Handle (End Caps in Stainless Steel) |
| HWO230FC | Heritage 30" Double Wall Oven - DacorMatch Color System with Flush Handle |

FEATURES & BENEFITS

- Four-Part Pure Convection System provides superior heat distribution, and eliminates flavor transfer.
- RapidHeat™ Broil Element uses an 8-pass radiant ribbon element to broil food quickly and evenly.
- 4.8 cu. ft. oven capacity.
- 7 rack positions for multi-rack cooking.
- SoftShut™ doors.
- GlideRacks
- Self-Cleaning mode.
- Sabbath mode.

ACCESSORIES (INCLUDED)

| | |
|-------------------|-----------------------|
| GLIDERACK™ | 2 (UPPER) / 2 (LOWER) |
| STANDARD RACK | 1 (UPPER) / 1 (LOWER) |
| TEMPERATURE PROBE | 1 |

ACCESSORIES (OPTIONAL)

| | |
|------------------------------------|----------|
| COOKIE SHEETS (SET OF 3) | ACSRO303 |
| BROIL-ROASTING PAN SET | AORPVR |
| EPICURE HANDLE SET, 30" (1 HANDLE) | AHHES30 |

GENERAL PROPERTIES

| | |
|--------------------------------|--|
| COOKING MODES BOTH CAVITIES | PURE CONVECTION™ CONVECTION BAKE CONVECTION BROIL CONVECTION ROAST BAKE BROIL |
|--------------------------------|--|

ADDITIONAL FEATURES

| | |
|-----------------|--------------------------|
| CLEANING TYPE | SELF CLEAN & GREENCLEAN™ |
| RACK POSITIONS | 7 |
| CONVECTION TYPE | PURE CONVECTION™ |
| LIGHTING | HALOGEN |

OVEN PERFORMANCE

| | |
|--------------------|-----------------|
| BAKE ELEMENT | 3,000W - 8 PASS |
| BROIL ELEMENT | 3,500W - 8 PASS |
| CONVECTION ELEMENT | 2,200W |

CONTROL FEATURES

| | |
|--------------------|-----|
| DELAY TIME COOKING | YES |
| TIMED COOKING | YES |
| AUTOMATIC HOLD | YES |
| 10-KEY PAD | YES |
| CLOCK | YES |
| TWO TIMERS | YES |
| SABBATH MODE | YES |
| CHILD LOCK | YES |

ADDITIONAL MODES

| | |
|-------------------|-----|
| KEEP WARM | YES |
| PROOF | YES |
| DEHYDRATE | YES |
| TEMPERATURE PROBE | YES |

TECHNICAL DETAILS

| | |
|---------------------|----------|
| CIRCUIT BREAKER (A) | 50 |
| VOLTS (V) | 240 |
| FREQUENCY (HZ) | 60 |
| ENERGY SOURCE | ELECTRIC |

DIMENSIONS & WEIGHT

| | |
|--|---------------------------------|
| APPLIANCE DIMENSIONS (W X H X D) (IN.) | 29 7/8" X 50 1/4" X 25 1/4" |
| REQUIRED CUTOUT SIZE (W X H X D) (IN.) | 28 5/8" MIN X 50" MIN X 24" MIN |
| OVEN CAPACITY (CUBIC FEET) | 4.8 EACH |

WARRANTY

| | |
|--------------------------|--------|
| LIMITED, PARTS AND LABOR | 1 YEAR |
|--------------------------|--------|

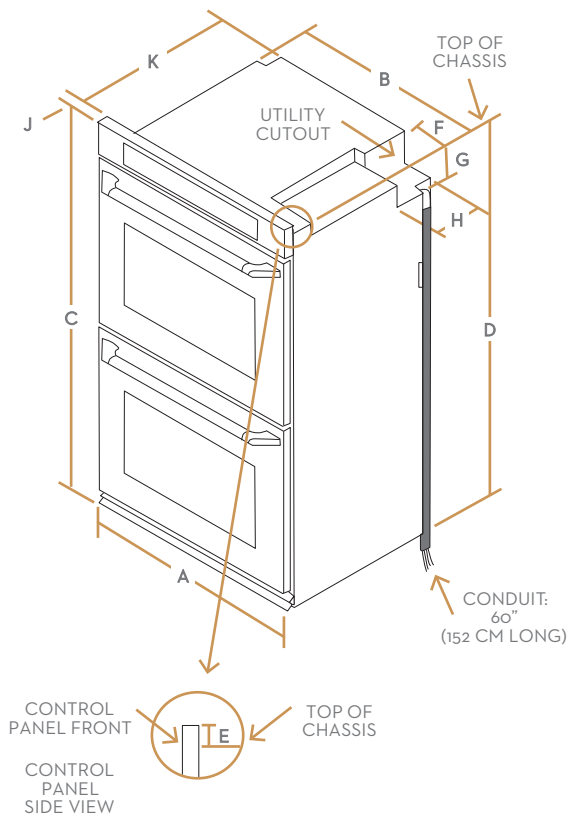
dacor

30-INCH DOUBLE WALL OVEN

APPLIANCE DIMENSIONS

30"

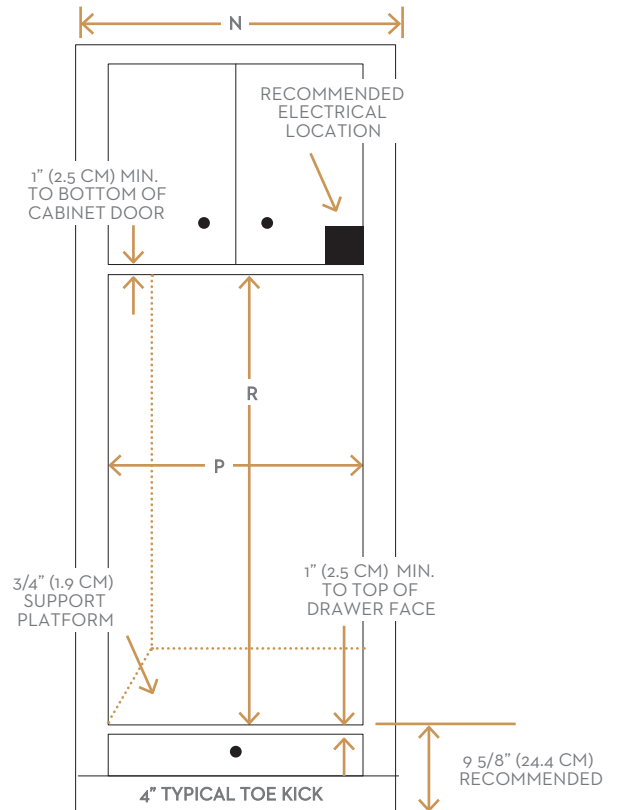
| | | |
|---|--------------------|--|
| A | 29 7/8" (75.9 CM) | WIDTH (FACE) |
| B | 28 1/2" (72.4 CM) | WIDTH (CHASSIS) |
| C | 50 1/4" (127.6 CM) | HEIGHT (OVERALL) |
| D | 49" (124.5 CM) | HEIGHT (CHASSIS) |
| E | 1 1/8" (2.9 CM) | TOP OF CHASSIS TO TOP OF CONTROL PANEL |
| F | 6 1/2" (16.5 CM) | UTILITY CUTOUT (WIDTH) |
| G | 5" (12.7 CM) | UTILITY CUTOUT (HEIGHT) |
| H | 7 7/8" (20.0 CM) | UTILITY CUTOUT (DEPTH) |
| J | 1 1/4" (3.2 CM) | CONTROL PANEL (DEPTH) |
| K | 24" (61.0 CM) | DEPTH (CHASSIS) |



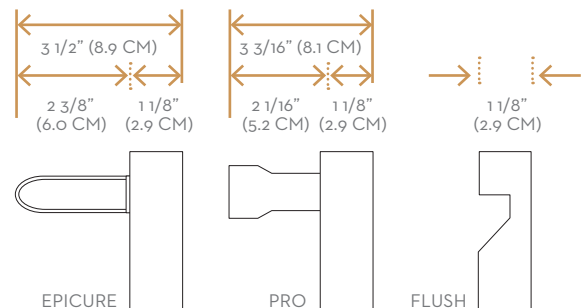
INSTALLATION CUTOUT DIMENSIONS

| CABINET | INSTALL DIMENSION |
|---------|--|
| N | 30" (76.2 CM) |
| P | MIN. 28 5/8" (72.7 CM) RECOMMENDED MAX. 29 1/8" (74.0 CM) |
| R | MIN. 50" (127 CM) |

WALL CABINET



HANDLE DIMENSIONS



All tolerances: +/- 1/16 (+/-1.6MM) unless otherwise stated.