



30-INCH DOUBLE WALL OVEN

HWO230 | PROFESSIONAL STYLE



AVAILABLE MODELS

HWO230PS	30" Double Wall Oven - Stainless Steel with Pro Style Handle
HWO230FS	30" Double Wall Oven - Stainless Steel with Flush Handle
HWO230PC	30" Double Wall Oven - DacorMatch Color with Pro Style Handle
HWO230FC	30" Double Wall Oven - DacorMatch Color System with Flush Handle

FEATURES & BENEFITS

- Four-Part Pure Convection System provides superior heat distribution, and eliminates flavor transfer.
- RapidHeat™ Broil Element uses an 8-pass radiant ribbon element to broil food quickly and evenly.
- 4.8 cu. ft. oven capacity.
- 7 rack positions for multi-rack cooking.
- SoftShut™ doors.
- GlideRacks
- Self-Cleaning mode.
- Sabbath mode.

ACCESSORIES (INCLUDED)

GLIDERACK™	2 (UPPER) / 2 (LOWER)
STANDARD RACK	1 (UPPER) / 1 (LOWER)
TEMPERATURE PROBE	1

ACCESSORIES (OPTIONAL)

COOKIE SHEETS (SET OF 3)	ACSRO303
BROIL-ROASTING PAN SET	AORPVR
EPICURE HANDLE SET, 30" (1 HANDLE)	AHHES30

GENERAL PROPERTIES

COOKING MODES BOTH CAVITIES	PURE CONVECTION™ CONVECTION BAKE CONVECTION BROIL CONVECTION ROAST BAKE BROIL
--------------------------------	--

ADDITIONAL FEATURES

CLEANING TYPE	SELF CLEAN & GREENCLEAN™
RACK POSITIONS	7
CONVECTION TYPE	PURE CONVECTION™
LIGHTING	HALOGEN

OVEN PERFORMANCE

BAKE ELEMENT	3,000W - 8 PASS
BROIL ELEMENT	3,500W - 8 PASS
CONVECTION ELEMENT	2,200W

CONTROL FEATURES

DELAY TIME COOKING	YES
TIMED COOKING	YES
AUTOMATIC HOLD	YES
10-KEY PAD	YES
CLOCK	YES
TWO TIMERS	YES
SABBATH MODE	YES
CHILD LOCK	YES

ADDITIONAL MODES

KEEP WARM	YES
PROOF	YES
DEHYDRATE	YES
TEMPERATURE PROBE	YES

TECHNICAL DETAILS

CIRCUIT BREAKER (A)	50
VOLTS (V)	240
FREQUENCY (HZ)	60
ENERGY SOURCE	ELECTRIC

DIMENSIONS & WEIGHT

APPLIANCE DIMENSIONS (W X H X D) (IN.)	29 7/8" X 50 1/4" X 25 1/4"
REQUIRED CUTOUT SIZE (W X H X D) (IN.)	28 5/8" MIN X 50" MIN X 24" MIN
OVEN CAPACITY (CUBIC FEET)	4.8 EACH

WARRANTY

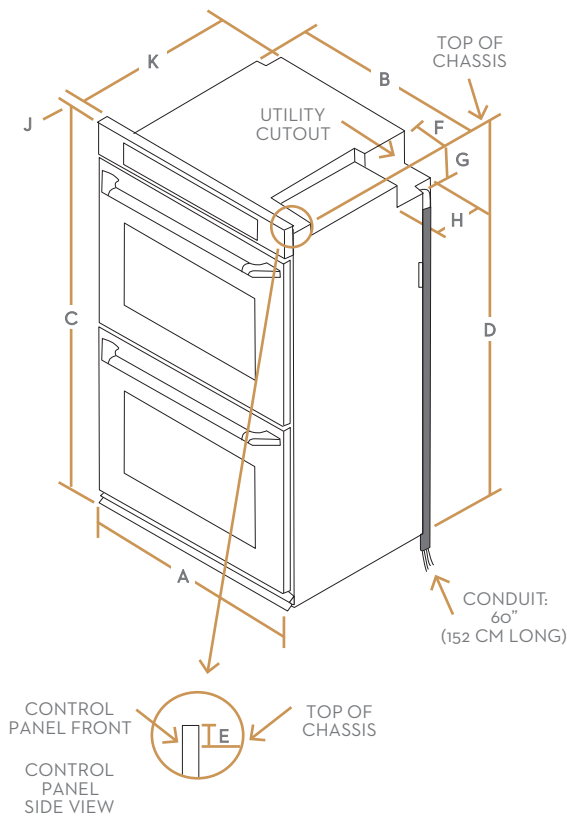
LIMITED, PARTS AND LABOR	1 YEAR
--------------------------	--------

dacor

30-INCH DOUBLE WALL OVEN

APPLIANCE DIMENSIONS

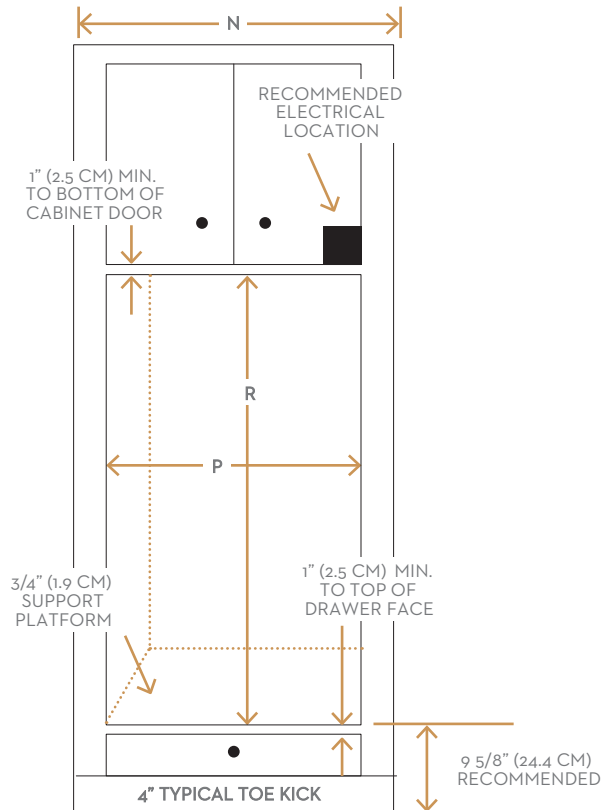
30"		
A	29 7/8" (75.9 CM)	WIDTH (FACE)
B	28 1/2" (72.4 CM)	WIDTH (CHASSIS)
C	50 1/4" (127.6 CM)	HEIGHT (OVERALL)
D	49" (124.5 CM)	HEIGHT (CHASSIS)
E	1 1/8" (2.9 CM)	TOP OF CHASSIS TO TOP OF CONTROL PANEL
F	6 1/2" (16.5 CM)	UTILITY CUTOUT (WIDTH)
G	5" (12.7 CM)	UTILITY CUTOUT (HEIGHT)
H	7 7/8" (20.0 CM)	UTILITY CUTOUT (DEPTH)
J	1 1/4" (3.2 CM)	CONTROL PANEL (DEPTH)
K	24" (61.0 CM)	DEPTH (CHASSIS)



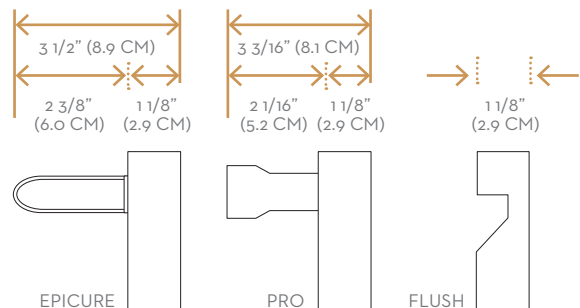
INSTALLATION CUTOUT DIMENSIONS

CABINET	INSTALL DIMENSION
N	30" (76.2 CM)
P	MIN. 28 5/8" (72.7 CM) RECOMMENDED MAX. 29 1/8" (74.0 CM)
R	MIN. 50" (127 CM)

WALL CABINET



HANDLE DIMENSIONS



All tolerances: +/- 1/16 (+/-1.6MM) unless otherwise stated.