

RNIHL



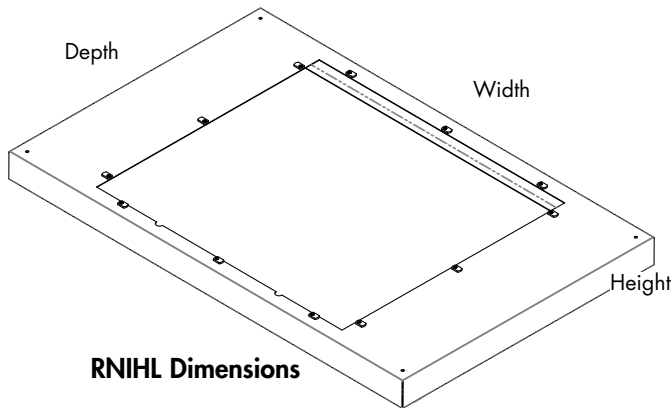
Renaissance® Integrated Hood Liners

PLANNING GUIDE

WARNING

- Observe all governing codes and ordinances during planning and installation. Contact your local building department for further information.
- This appliance must be installed in accordance with the accompanying installation instructions.

All tolerances: ±1/16" (±1.6 mm) unless otherwise stated.



RNIHL Hood Liner	Width	Height	Depth	Weight
RNIHL30	27 in 68.58 cm	2 in 5.08 cm	21 in 53.34 cm	5 lb. 2.3 kg
RNIHL36	33 in 83.82 cm	2 in 5.08 cm	21 in 53.34 cm	5.5 lb. 2.5 kg
RNIHL48	45 in 114.3 cm	2 in 5.08 cm	21 in 53.34 cm	7 lb 3.18 kg

RNIHL Hood Liner + RNIVS	Width	Height: RNIVS + RNIHL	Height: Duct Collar	Depth
RNIHL30 + RNIVS1 & RNIVSR1	27 in 68.58 cm	10 3/4 in 27.31 cm	1 7/8 in 4.76 cm	21 in 53.34 cm
RNIHL36 + RNIVS1 & RNIVSR1	33 in 83.82 cm	10 3/4 in 27.31 cm	1 7/8 in 4.76 cm	21 in 53.34 cm
RNIHL48 + RNIVS2 & RNIVSR2	45 in 114.3 cm	10 3/4 in 27.31 cm	1 7/8 in 4.76 cm	21 in 53.34 cm

Liner to Vent Compatibility		
Liner Model	Renaissance® RNIVS Model	
RNIHL30	RNIVS1	RNIVSR1
RNIHL36	RNIVS1	RNIVSR1
RNIHL48	RNIVS2	RNIVSR2

The Renaissance® series Integrated Hood Liner (RNIHL) is made from non-combustible stainless steel. Its dimensions and design make it an excellent component for any custom hood.

These liners fit the Renaissance® Integrated Ventilation Systems (RNIVS) shown in the tables below.

