



## Installation Instructions

### Heritage Integrated Ventilation System

RNIVS1, RNIVS2, RNIVSR1, RNIVSR2

**APPROVED FOR USE WITH ALL DACOR<sup>®</sup> RANGES AND COOKTOPS.**

**TESTED IN ACCORDANCE WITH THE LATEST EDITION OF ANSI/UL 507  
STANDARD FOR ELECTRIC FANS AND CAN/CSA-C22.2 NO. 115 STANDARD  
FOR FANS AND VENTILATORS.**

# Table of Contents

<b>Important Safety Instructions</b> .....	<b>1</b>	Planning the Ductwork .....	13
Important Information About Safety Instructions .....	2	<b>Installation Instructions</b> .....	<b>14</b>
General Safety Precautions .....	3	Assembling the Filters .....	14
<b>Product Specifications</b> .....	<b>5</b>	Installing the Hood Liner Kit RNIHL .....	15
General Specifications .....	5	Attaching the Dual to Single Transition Kit ATD10 .....	16
Dimensions .....	8	Marking the Centerlines .....	17
<b>Preparation and Setup</b> .....	<b>10</b>	Installing the RNIVS .....	18
Parts List .....	10	Hardwiring the Hood .....	20
Necessary Tools and Hardware .....	10	Verifying the Setup .....	23
Meeting Installation Requirements .....	11	The Installation Checklist .....	24
Meeting Electrical Codes .....	12	<b>Wire Diagrams</b> .....	<b>25</b>

## Before You Begin...

### Important:

- **Installer:** In the interest of safety and to minimize problems, read these *Installation Instructions* completely and carefully before you begin the installation process. Leave these installation instructions with the user.  
Write the *data plate* information in the *User Manual* before installing the unit.
- **User:** Keep these *Installation Instructions* for future reference and for the local electrical inspector's use.

## If You Need Help...

---

If you have questions or installation/operation/warranty issues, contact Dacor Customer Assurance. Have available the cooktop model and serial numbers, which are on the product data label on the chassis bottom (see right).

### **Dacor Customer Assurance**

Phone: 833-35-ELITE (833-353-5483) USA, Canada  
Mon – Fri 5:00 A.M. to 5:00 P.M. Pacific Time

Website: [www.dacor.com/customer-care/contact-us](http://www.dacor.com/customer-care/contact-us)

## Appliance Data Plate

The appliance data plate is a label that:

- has the model and serial number information and electrical requirements.
- is located inside the RNIVS, above the filters on the back wall of the chassis. Remove the filters to locate the plate.

**All specifications subject to change without notice. Dacor assumes no liability for changes to specifications.**

# Important Safety Instructions

## Important Information

- The **Important Safety Instructions** and warnings in these instructions are not meant to cover all possible problems and conditions that can occur. Use common sense and caution when installing, maintaining, or operating this or any other appliance.
- Always contact Dacor Customer Assurance about issues you cannot resolve.

## Safety Alerts

When you see these alerts in the manual, read the message carefully before continuing.

### **DANGER**

Immediate hazards that **WILL** result in severe personal injury or death.

### **WARNING**

Hazards or unsafe practices that **COULD** result in severe personal injury or death.

### **CAUTION**

Hazards or unsafe practices that **MIGHT** result in minor personal injury or property damage.

## General Safety Precautions

To reduce the risk of fire, electric shock, serious injury or death when using your appliance, follow basic safety precautions, including the following:

### **CAUTION**

For general ventilating use only. Do not use to exhaust hazardous or explosive materials and vapors.

### **WARNING**

To reduce risk of fire, electric shock, and personal injury:

- Installation work and electrical wiring must be done by qualified personnel according to applicable codes and standards, including fire-rated construction.
- Sufficient air is needed for proper combustion and exhaust of gases out the chimney of fuel-burning equipment to prevent backdraft. Follow the heating equipment manufacturer's guideline and safety standards such as those published by the National Fire Protection Association (NFPA), and the American Society for Heating, Refrigeration and Air Conditioning Engineers (ASHRAE), and the local code authorities.
- Know the location of utilities before cutting/drilling into a wall or ceiling.
- Ducted fans must always be vented to the outdoors.

### **WARNING**

To reduce risk of fire, electric shock, and personal injury:

- Use this unit only as intended by the manufacturer. If you have questions, contact the manufacturer.
- Before servicing/cleaning unit, turn off power at the service panel, and lock the panel to prevent power from being turned on. If locking the panel is not an option, securely fasten a prominent warning device, such as a tag, to the panel.

### **DANGER**

To avoid risk of explosion or fire, do not store/use combustible, flammable substances (ex: gasoline) in/on/near this appliance. Keep items that could explode (ex: aerosol cans) away from cooking units and hoods.

### **WARNING**

- To avoid property damage, personal injury, or death from fire or explosion, follow the directions in this manual precisely.
- Do not install the unit if it dropped, was damaged in some way, or malfunctions. If the product is damaged when received, immediately contact the dealer or builder.
- The unit must be installed and grounded by a qualified installer as instructed in this manual.
- Install the unit only per the instructions and requirements specified by the manufacturer of the cooking unit. Not doing so can cause serious personal injury and property damage.
- The user should install/repair/replace components only as specifically recommended in the provided manuals. A qualified technician should perform all other service. Contact the nearest Dacor authorized service representative at (800) 793-0093, or at [www.dacor.com](http://www.dacor.com) for examination, repair, or adjustment.
- Keep all packaging materials away from children.
- Do not use an extension cord or adapter plug.
- The installer must show the user the fuse box or circuit-breaker panel so power can be turned on/off as needed.
- Do not tamper with the controls.
- If the cooktop and hood are near a window, do not hang window coverings that could blow over the cooktop and hood.
- Always run the fan(s) whenever the cooktop is operating.
- Never leave the range or cooktop unattended when a burner (or element) is in use. Boil-overs and greasy spills may smoke and/or ignite.
- Do not leave children unattended near the active cooktop and hood. Never let children sit/stand on an appliance or play with the cooking unit or hood. Do not store items of interest to children above/on/near the appliances.
- The minimum distance between cooking surface and hood bottom must be at least 30" (76.2 cm).
- **USE ONLY METAL DUCTWORK.**
- Do not try to use this appliance during a power outage.

# Product Specifications

## General Specifications

Dacor's Heritage Integrated Ventilation System (RNIVS) is designed to be installed inside custom hood canopies. Correct installation requires that the custom canopy be constructed with precision design, manufacturing, and materials.

Follow all instructions and warnings concerning the installation of the RNIVS within a combustible or non-combustible hood canopy.

Make sure that all construction meets applicable local codes and regulations.

### All Models

Features	Description
Filters	Baffle style, Dishwasher safe
Lights	Dimmable LED 7.5 Watt, 60 Hz. Compatible with Halogen or any dimmable, 75W max bulb
Total Circuit Requirements*	120 Vac, 60 Hz., 15 Amp. min. grounded, dedicated circuit
Total Connected Load*	<b>RNIVS1:</b> 0.2 kW (2 Amp.) <b>RNIVS2:</b> 0.4 kW (3 Amp.) <b>RNIVSR1 &amp; RNIVSR2:</b> 0.2 kW (1.5 Amp.) Plus the power requirements of the in-line blower or the remote blower
Fan Rating**	<b>RNIVS1:</b> 600 CFM <b>RNIVS2:</b> 1200 CFM <b>RNIVSR1 and RNIVSR2:</b> Depends on the in-line blower or remote blower specifications

\* Electrical specifications are provided for reference only. Consult the product data label on the unit for exact specifications.

\*\* Rated at zero-inches static pressure.

Model Number	Weight
RNIVS1	28 lb. (13 kg)
RNIVS2	44 lb. (20 kg)
RNIVSR1	24 lb. (11 kg)
RNIVSR2	35 lb. (16 kg)

Liner Kit#	Description (W x H x D)
RNIHL30	For a 30" Canopy
	(27" x 2" x 21") 5 lb. (2.3 kg)
RNIHL36	For a 36" Canopy
	(33" x 2" x 21") 5.5 lb. (2.5 kg)
RNIHL48	For a 48" Canopy
	(45" x 2" x 21") 7 lb. (3.18 kg)

### Individual Models

Features	RNIVS1 RNIVSR1	RNIVS2 RNIVSR2
Lights	2	2
Filters	2	3
Fans (not including "R" Models)	1	2
Exhaust Vents	1	2

### Dacor Blower Models Used in RNIVSR Series:

RNIVSR models do not have blowers. Blowers must be purchased separately.

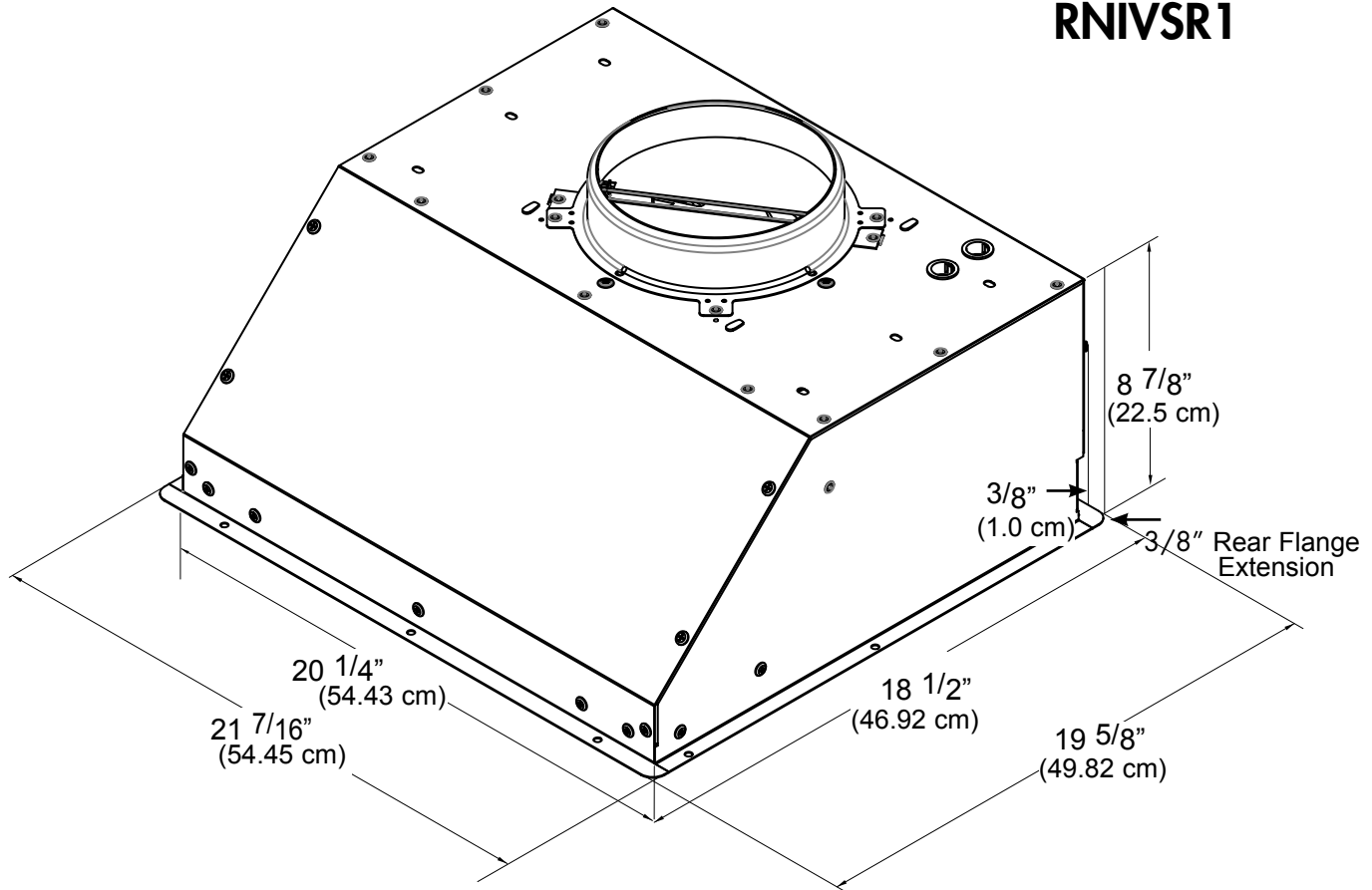
Duct Size	In-Line Style Blower Model	Remote Style Blower Model
8 inch	ILHSF8	REMP3
10 inch	ILHSF10	REMP16

# Product Specifications

## Product Dimensions

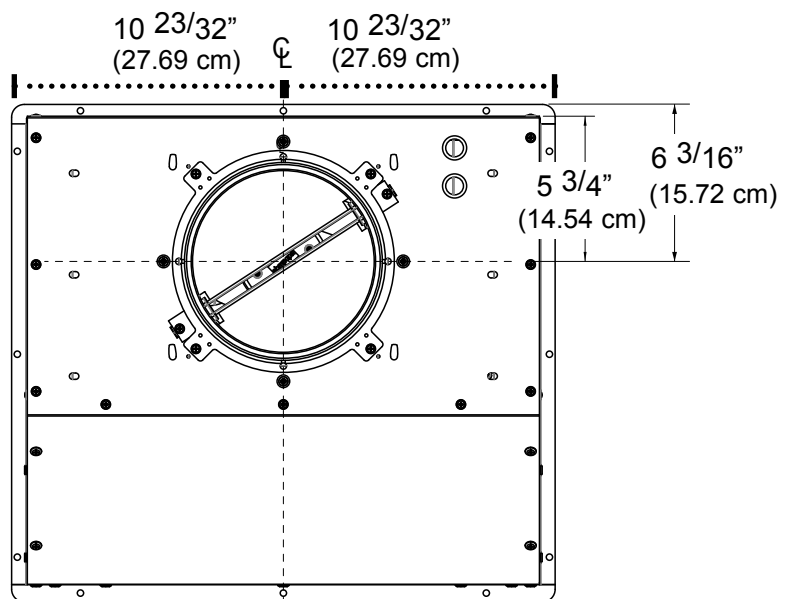
All tolerances are  $\pm 1/16"$  ( $\pm 0.16$  cm)

### RNIVS1 & RNIVSR1



**RNIVS1 & RNIVSR1 Dimensions**

### Top View



**Top Centerline Dimensions**

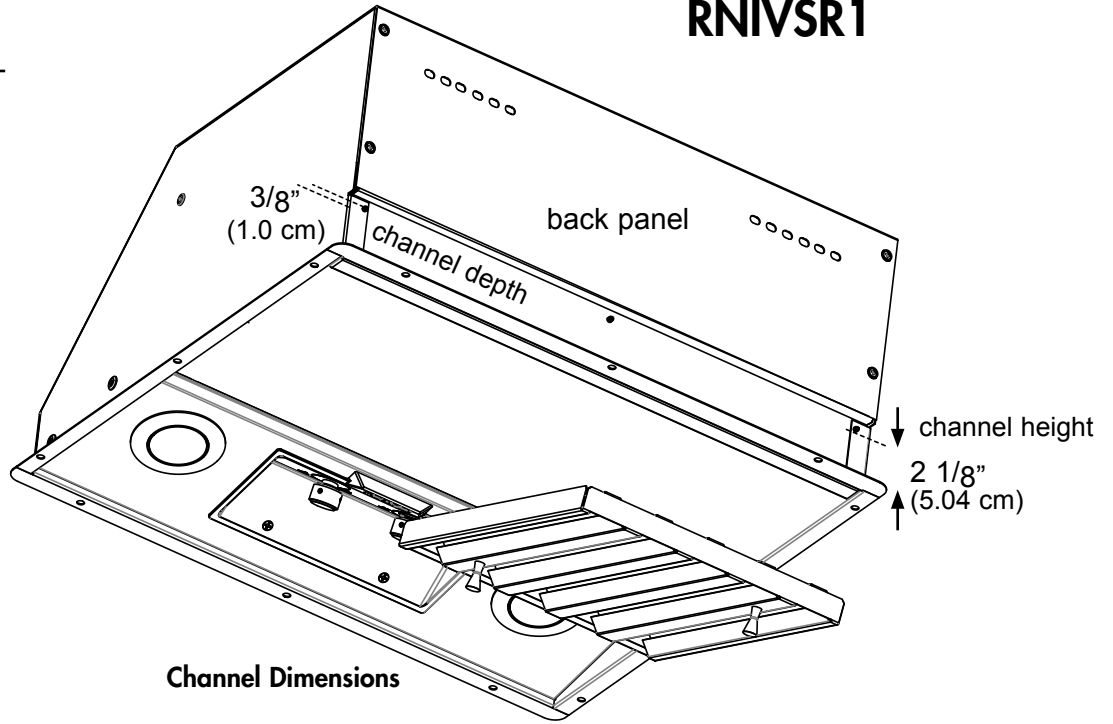
# Product Specifications

## Product Dimensions

All tolerances are  $\pm 1/16$ " ( $\pm 0.16$  cm)

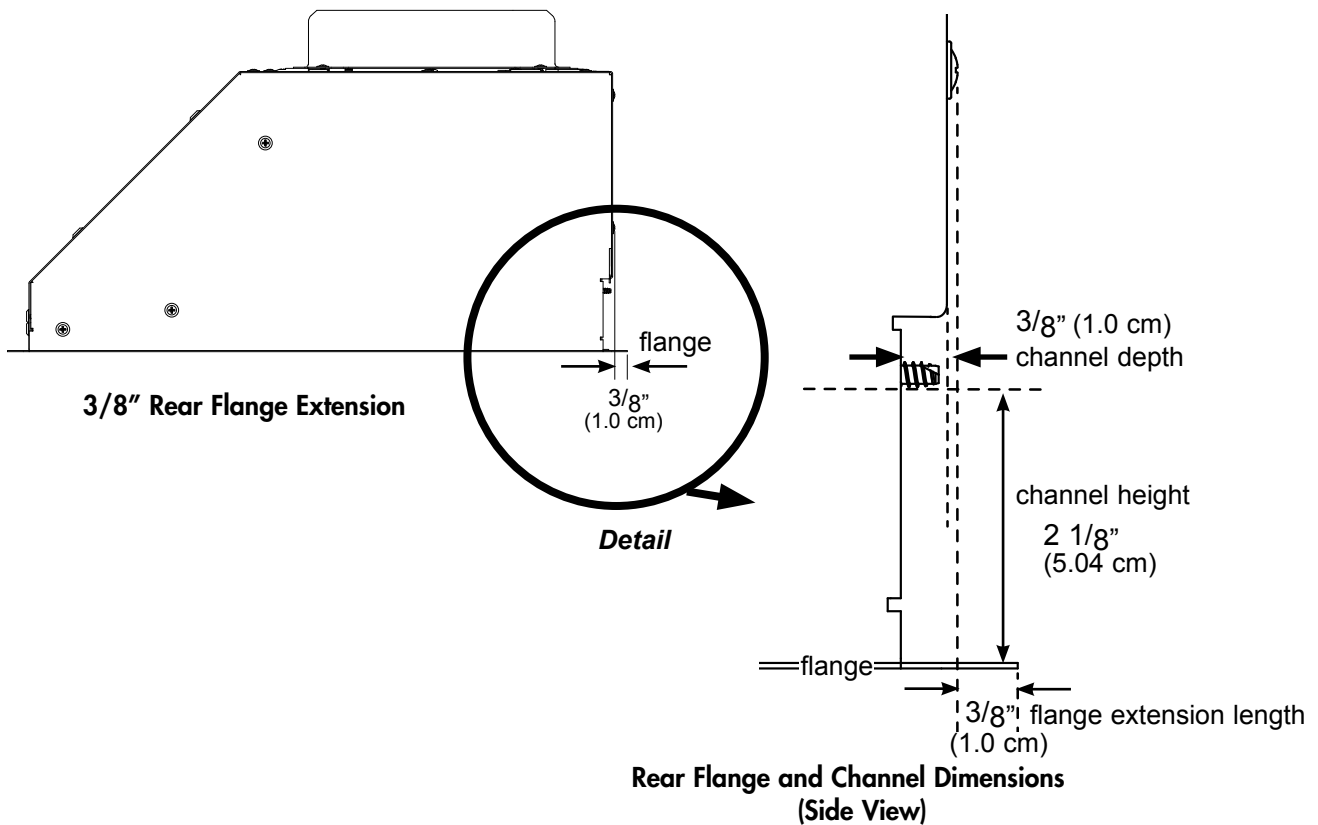
### RNIVS1 & RNIVSR1

#### Rear View



Channel Dimensions

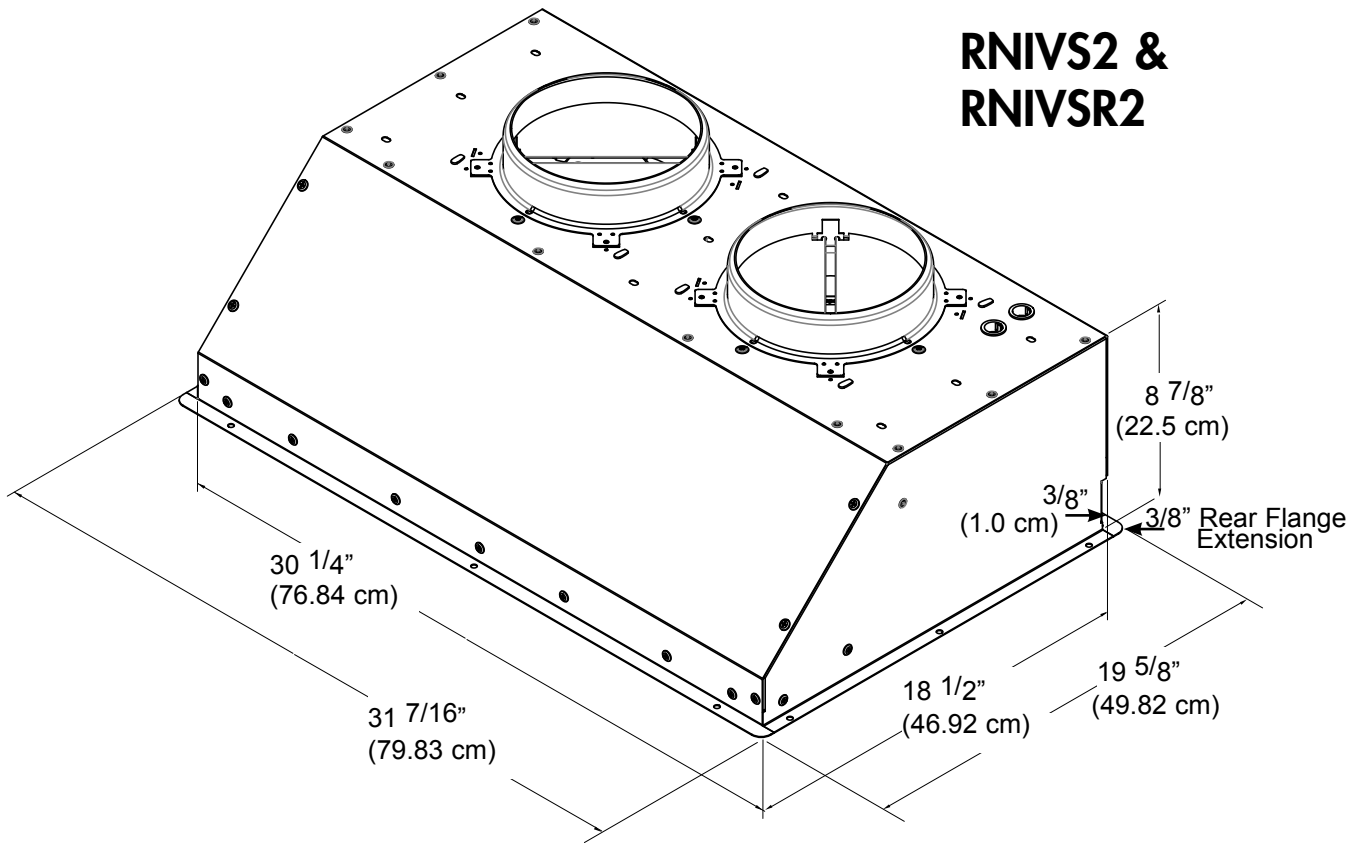
#### Side View



# Product Specifications

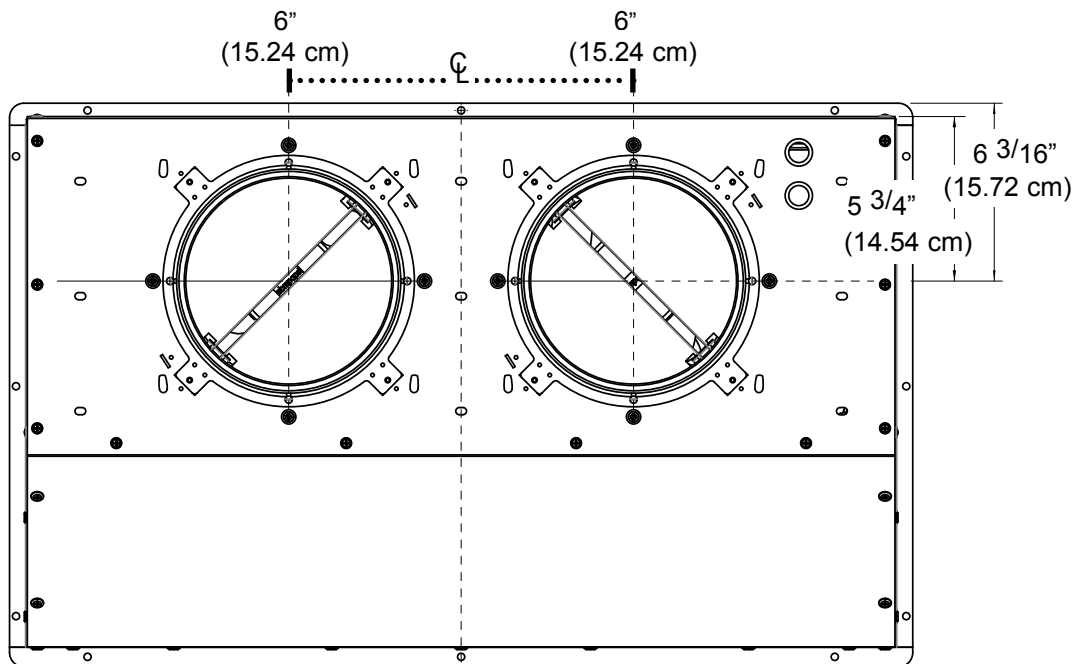
## Product Dimensions

All tolerances are  $\pm 1/16"$  ( $\pm 0.16$  cm)



**RNIVS2 & RNIVSR2 Dimensions**

## Top View



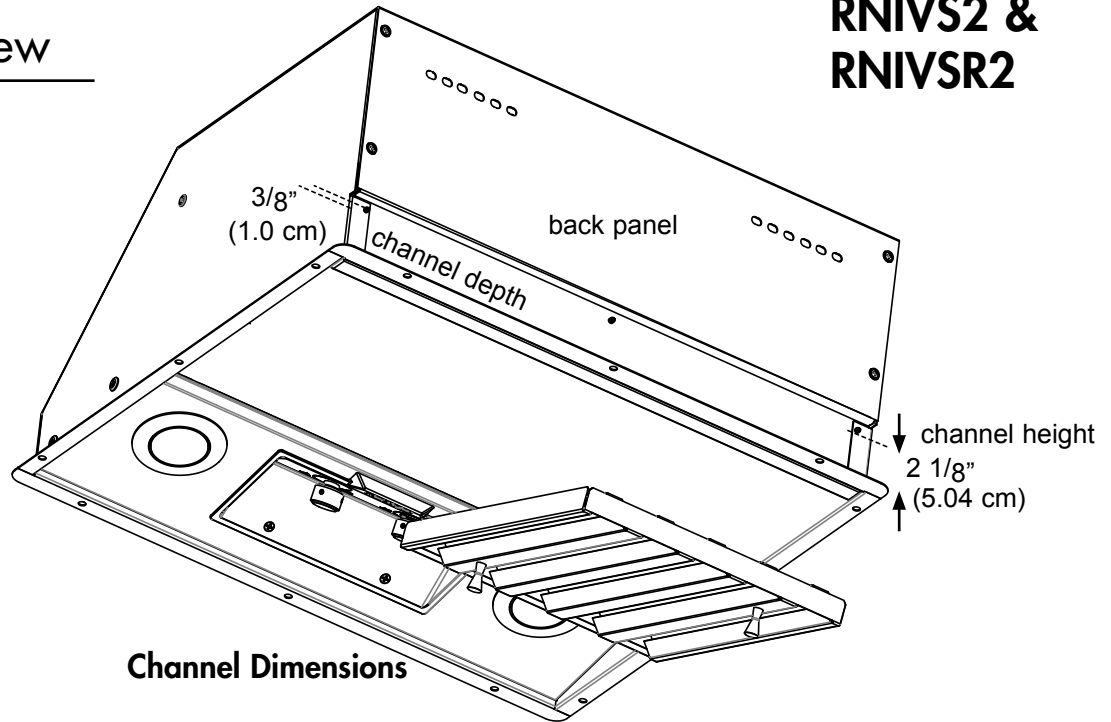
**Top Centerline Dimensions**

# Product Specifications

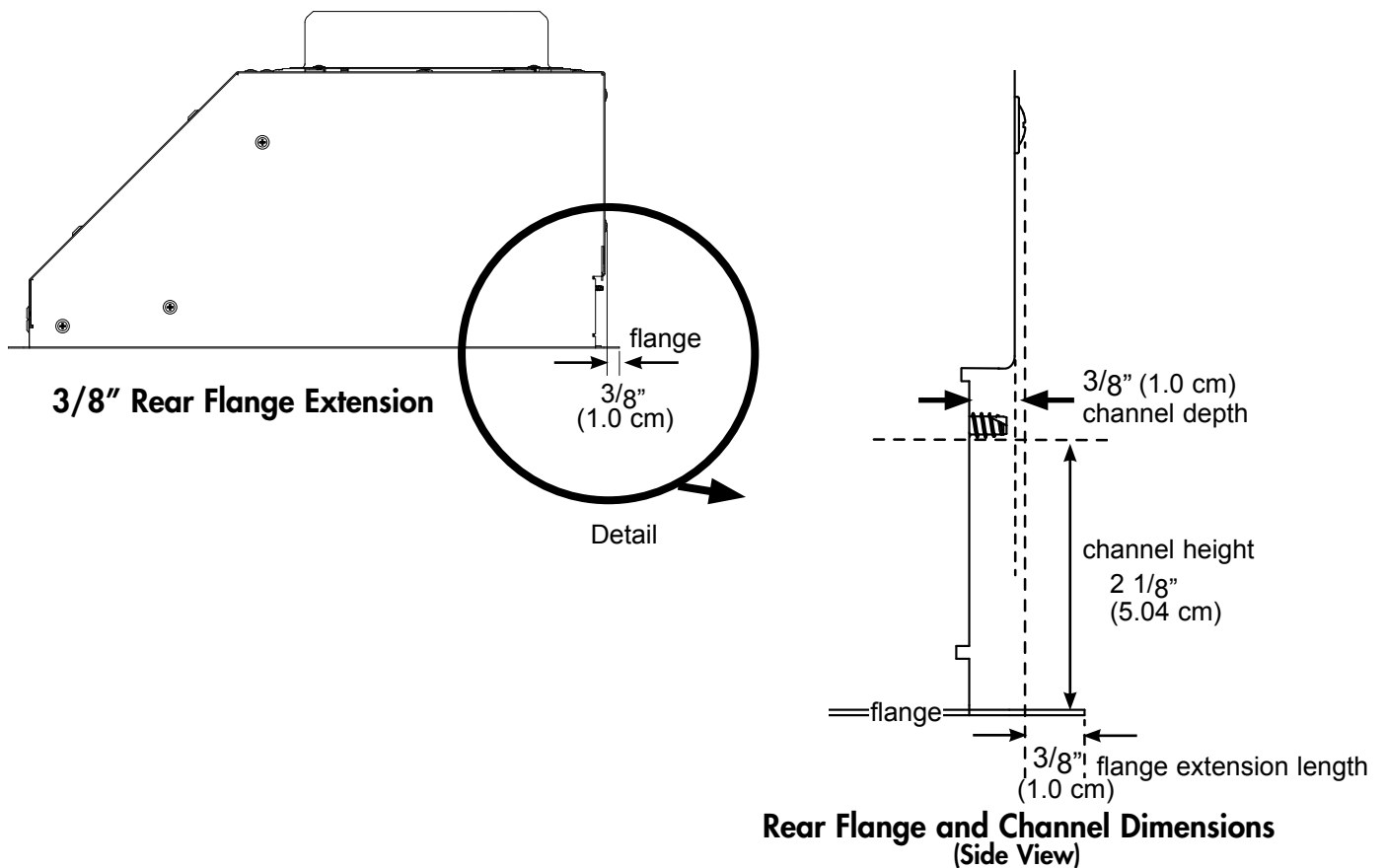
## Product Dimensions

All tolerances are  $\pm 1/16"$  ( $\pm 0.16$  cm)

### Rear View



### Side View





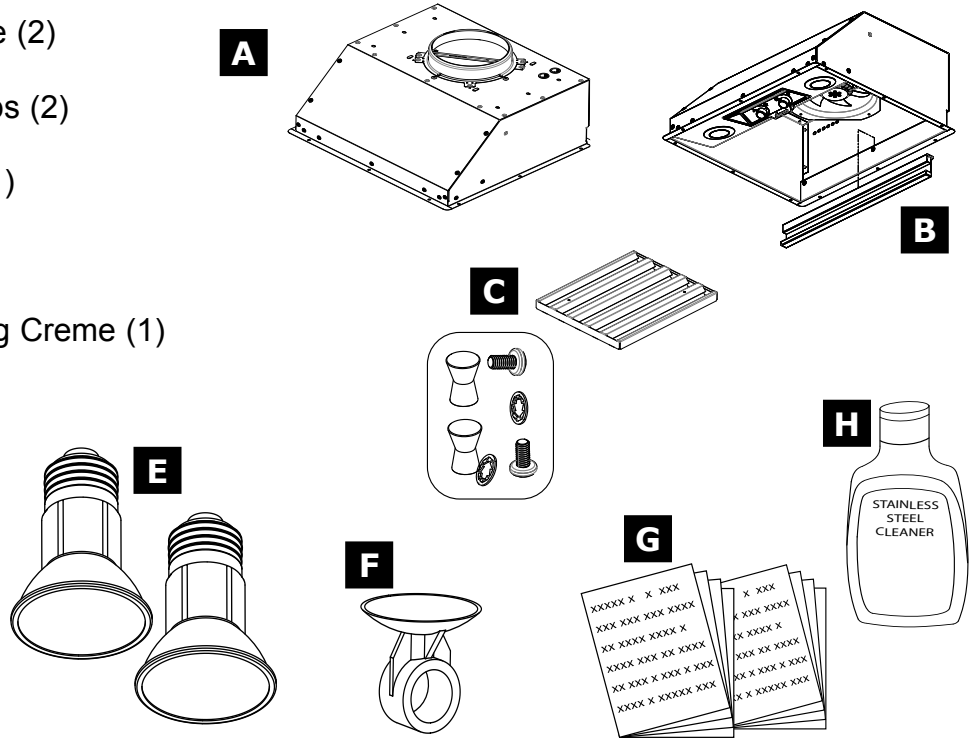
# Preparation and Setup

## Parts List

- A** RNIVS
- B** Grease channel (1)
- C** Baffle filter and hardware (2)
- E** Dimmable LED light bulbs (2)
- F** Light replacement tool (1)
- G** Literature (2)
- H** Dacor Stainless Cleaning Creme (1)

Features	RNIVS1	RNIVS2
<b>C</b> Filters	2	3
<b>E</b> LED Lights	2	2

*pictures vary by model*



## Necessary Tools and Hardware

Please make sure these tools and hardware are within reach before beginning the installation.

RNIVS Installation		
Phillips screwdriver	Drill + bits	Jigsaw
Flathead screwdriver	Tape measure	8" Ducting
Pencil or marking tool	Stud finder	Foil tape
Wire connector caps	Level	Sheet metal screws
Wire stripper	Junction box	18 AWG Wire or 3-prong power cord

## Optional Accessories

The items below are optional accessories that can be added to your RNIVS.

Hood Liner Kit		
Dacor Liner Kit # RNIHL30/36/48	Sheet metal screws	--

Dual to Single Vent Transition Kit		
Dacor Transition Kit # ATD10	Drill	Foil tape
10" Ducts and ducting materials	Sheet metal screws	--

# Preparation and Setup

## Meeting Installation Requirements



### WARNING

Observe all governing codes and ordinances during planning and installation. Contact your local building department for further information. Use only ductwork deemed acceptable by state, municipal and local codes.



### WARNING

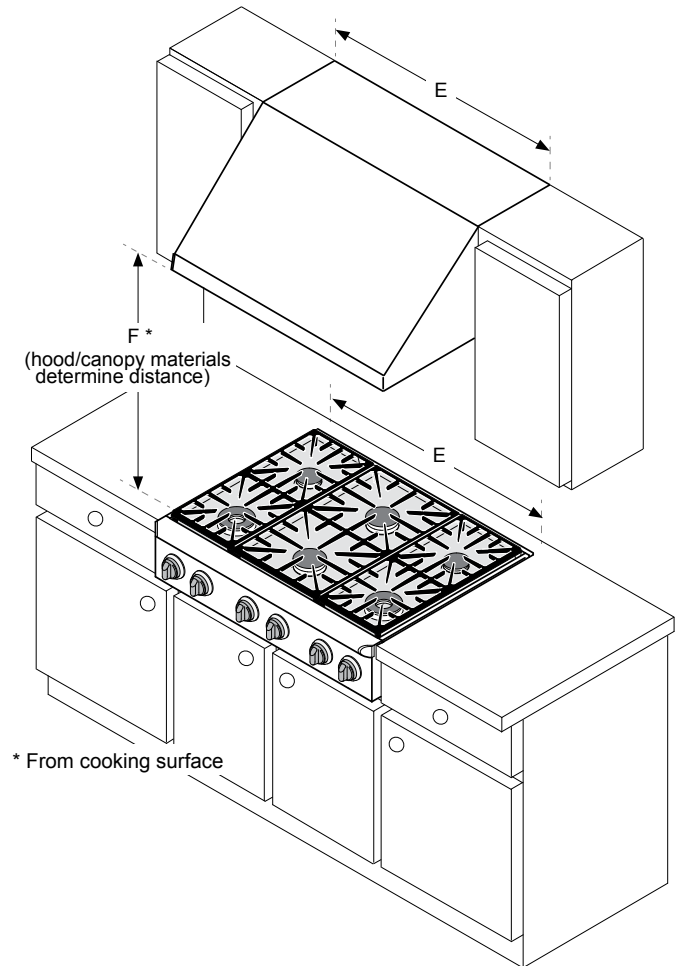
To reduce the risk of personal injury caused by reaching over a hot appliance, cabinet storage space located directly above the range should be avoided.



### IMPORTANT

See the diagram for minimum installed distance from the hood to the cooktop surface. The minimum specified distance may be higher for the particular range or cooktop in use. Check the manufacturers specifications for the cooktop or range.

- The hood canopy must be as wide as the cooktop surface or wider.
- Plan the installation so that all minimum dimensions are met or exceeded.
- Dimensions given are minimum clearances, unless otherwise noted.
- All contact surfaces between the RNIVS and any cabinetry or walls must be sturdy, solid, and at right angles.
- Install the RNIVS and cooking appliance(s) so that they can be removed if service is required.
- Local building codes may require the use of makeup air systems with ventilation systems that move air greater than the specified movement rate (CFM). The specified rate varies based on locale. Consult a qualified HVAC specialist when designing the system for the requirements in your area and to assure optimal performance.
- An RNIVS installed inside a custom hood canopy made of *combustible* materials must be a minimum of 36" (91.4 cm) above the countertop cooking surface.
- An RNIVS installed inside a custom hood canopy made of *non-combustible* materials must be a minimum of 30" (76.2 cm) above the countertop cooking surface.
- An RNIVS installed inside any custom hood canopy using a Dacor RNIHL Series Stainless Steel Hood Liner must be a minimum of 30" (76.2 cm) above the countertop cooking surface.



\* From cooking surface

### Cabinet Layout Dimensions

All tolerances are +1/16", -0" (+.16, -0 cm)

Minimum Width of E: Upper Cabinet Cutout & Appliance Width	
Models	E
RNIVS1, RNIVSR1	30 inches (76.2 cm)
RNIVS2, RNIVSR2	36 inches (91.5 cm)

Minimum Height of F: From Cooking Surface to Bottom of Hood	
Materials	F
Combustible Materials (wood)	36 inches (91.5 cm)
Non-Combustible (tile, metal)	30 inches (76.2 cm)
Dacor RNIHL Hood Liners	30 inches (76.2 cm)
Metal Hood Liners	see mfg. specs

# Preparation and Setup

## Meeting Electrical Codes

### WARNING

Make sure electrical service to the RNIVS is installed by a licensed electrician.

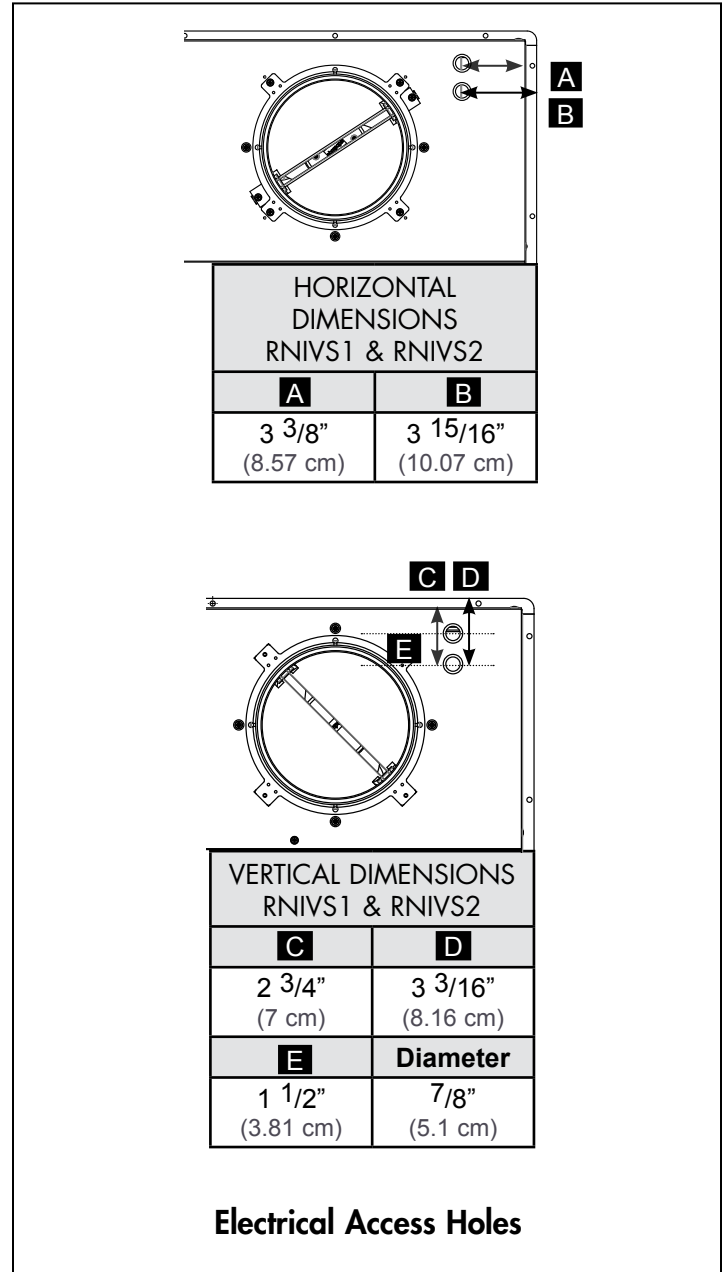
It is the owner's responsibility to confirm that all electrical requirements are met by a qualified electrician who is servicing this appliance.

The electrical installation, including the minimum supply-wire size and grounding, must be in accordance with the National Electric code ANSI/NFPA\* (or latest revision), local codes, and ordinances.

\*A copy of this standard can be obtained from:

National Fire Protection Association  
1 Batterymarch Park  
Quincy, Massachusetts 02269-9101

- The ground terminal inside the RNIVS must be connected to a grounded, metallic, permanent wiring system, or to a grounding conductor installed by a licensed electrician.
- Do not ground the appliance or appliance wiring to a gas pipeline or to the neutral (white) power supply wire.
- Do not install a fuse in the neutral or ground circuit.
- **Connect the RNIVS directly to an electrical junction box.** Hard-wire the RNIVS according to local code directly to a dedicated three-wire grounded, single phase circuit: rated at 120 Vac 60 Hz, 15 Amp.
- See the diagram: **Electrical Access Holes** for wire hole locations inside the RNIVS.
- See **Wiring Diagrams** at the end of this document.



All tolerances are  $\pm 1/16"$  ( $\pm 0.16$  cm)

Electrical access hole dimensions are the same on all RNIVS models.

# Preparation and Setup

## Planning the Ductwork

### **WARNING**

- To prevent combustion by-products, smoke or odors from entering the home and to improve efficiency, tape all duct joints securely.
- Range hoods may interrupt the proper flow of smoke and combustion gases from furnaces, gas water heaters, and fireplaces. To avoid drawing lethal gases into the home, follow the manufacturer's recommendation for these devices and consult NFPA and ASHRAE recommendations.
- Failure to install a remote blower or proper ductwork may result in a backdraft and/or insufficient venting of smoke and fumes.
- **DO NOT** install an additional in-line or external blower to increase the length of the duct run. Even small differences between blower air flow rates can greatly reduce the air draw by the hood.

### **CAUTION**

To reduce the risk of fire and to properly exhaust air, be sure to duct air outside the house or building. Do not vent exhaust air into spaces within walls or ceilings or into attics, crawl spaces or garages.

### **WARNING**

During duct installation, make sure there are no obstructions that keep the damper flaps on the top of the hood from opening.

- Local building codes may require the use of makeup air systems with ventilation systems that move air greater than the specified movement rate (CFM). The specified rate varies based on locale. Consult a qualified HVAC specialist when designing the system for the requirements in your area and to assure optimal performance.
- All ductwork materials (including screws and foil tape) must be purchased separately by the customer.
- Make sure ductwork does not interfere with floor joists or wall studs.
- On dual exhaust models, the two 8-inch exhausts may be merged into one 10-inch duct using Dacor transition kit ATD10. See page 12 for details.
- Fasten all joints with sheet metal screws and seal with certified duct tape or foil tape.
- When planning new ductwork, always look for the shortest, most direct route to the outside.
- To prevent a backdraft, *never decrease* the duct size over the run. If existing ductwork is smaller than 8 inches in diameter, remove it and replace it with 8-inch ductwork.

## Duct Length Calculation Table

The maximum straight duct length for the hood is determined by the type of duct used. See the chart below.

Duct Size	Maximum Duct Run
8-inch Round	60 feet
10-inch Round	50 feet
3 1/4-in x 10-in Rectangular	50 feet

For each elbow and transition added, a certain length must be subtracted from the maximum duct run to compensate for wind resistance.

Use the chart below to determine the maximum length of your duct run:

1. Write the total length of your duct run, then
2. Subtract all of the ductwork equivalent lengths in the chart below.

## Ductwork Equivalent Lengths

Piece	Subtract	Piece	Subtract
8-inch 90° Elbow	7 feet	10-inch 90° Elbow	5 feet
8-inch 45° Elbow	3 feet	10-inch 45° Elbow	2 feet
3 1/4 in x 10 in to Round 90° Transition	25 feet	3 1/4 in x 10 in to 8 in / 10 in Round Transition	4 feet
Roof Cap	*	Wall Cap with Damper	*

\* The equivalent lengths of roof and wall caps vary with model and configuration.

## Ductwork Tips

Wherever possible, reduce the number of transitions, turns, and sharp angles. Two staggered 45° angles are better than one sharp 90° angle.

Keep turns as far away from the RNIVS exhaust as possible, and keep as much space between any bends as possible.

For best performance: use round duct instead of rectangular, especially when elbows are required.

If multiple elbows are used, try to keep at least 24 inches of straight duct between each elbow.

Avoid using "S" or back-to-back adjacent elbows.

In extremely cold weather regions, use thermal breaks, i.e., short sections of non-metallic duct, to avoid indoor heat loss. Locate the break as close as possible to the outside pass-through point.

Do not use flexible metal duct. Do not use ductwork that is smaller than what is advised in the tables.

To prevent backdrafts, a damper at the duct outlet may also be required.

# Installation Instructions

## Assembling the Filters

Filters are boxed separately and must be assembled during installation. All knobs and hardware are included with the filters.

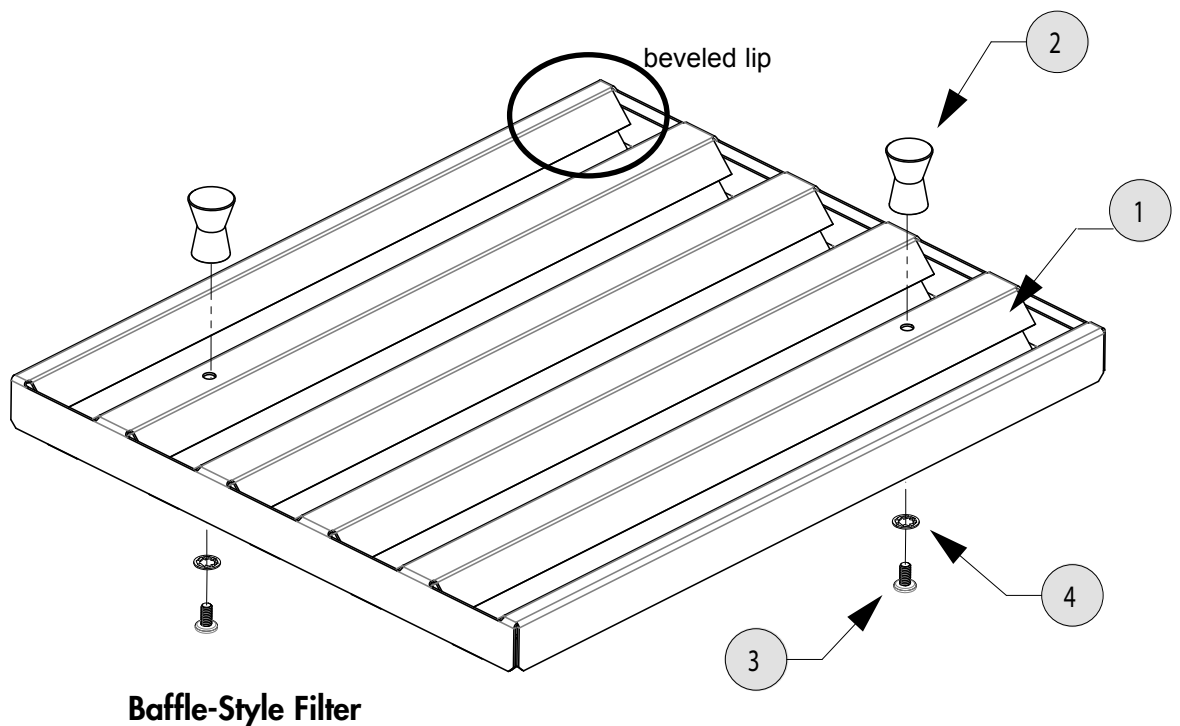
To ensure the correct orientation, make sure the top of the filter lays face-up.

The face of the filter has:

- plastic peel-away coating
- a beveled lip on the inside frame
- screw holes up on the ridge (not down in the trough)

## Instructions

1. Remove the plastic coating and confirm that the inside lip is beveled. If this is true, proceed. If not, flip the frame.
2. Align the screw, lock washer, and knob with the filter.
  - Make sure the knob is *on the ridge*, and the
  - screw and lock washer are in the trough.
3. Twist and secure until tight.
4. Proceed with the *Installation Instructions* and install the filters after hanging the RNIVS.



RNIVS Filter Kit Number	Description
702579	Baffle-Style Filter Kit (1 pc + hardware)
702580	Baffle-Style Filter Kit (2 pc + hardware)

Filter Parts	
1	Filter (baffle style)
2	Knob
3	Screw M8
4	Lock washer #10

# Installation Instructions

## Installing the Hood Liner Kit #RNIHL

The Heritage Integrated Hood Liner (RNIHL) is available separately and must be installed before the RNIVS.

The RNIHL liners are made from of durable, non-combustible stainless steel. The latest Renaissance® design make it an excellent component for any custom hood.

COMPATIBILITY		
Liner Kit #	Renaissance® RNIVS Model	
RNIHL30	RNIVS1	RNIVSR1
RNIHL36	RNIVS1	RNIVSR1
RNIHL48	RNIVS2	RNIVSR2

See the RNIHL *Installation Instructions* booklet for complete details and specifications.

If you are not using a hood liner, skip this page.

- Read and follow the complete RNIVS Installation Instructions manual to correctly install your custom hood ventilation system.
- Follow all electrical requirements specified in the RNIVS Installation Instructions.
- The Renaissance® RNIHL Series Hood Liner has no electrical parts.
- Plan the installation so that all minimum clearances are met or exceeded.
- The RNIVS is attached using the lock washers and bolts provided with the RNIHL liner. Quantity varies according to the RNIHL liner model.
- The RNIHL liner is designed for vertical exhaust duct (VED) configurations only.

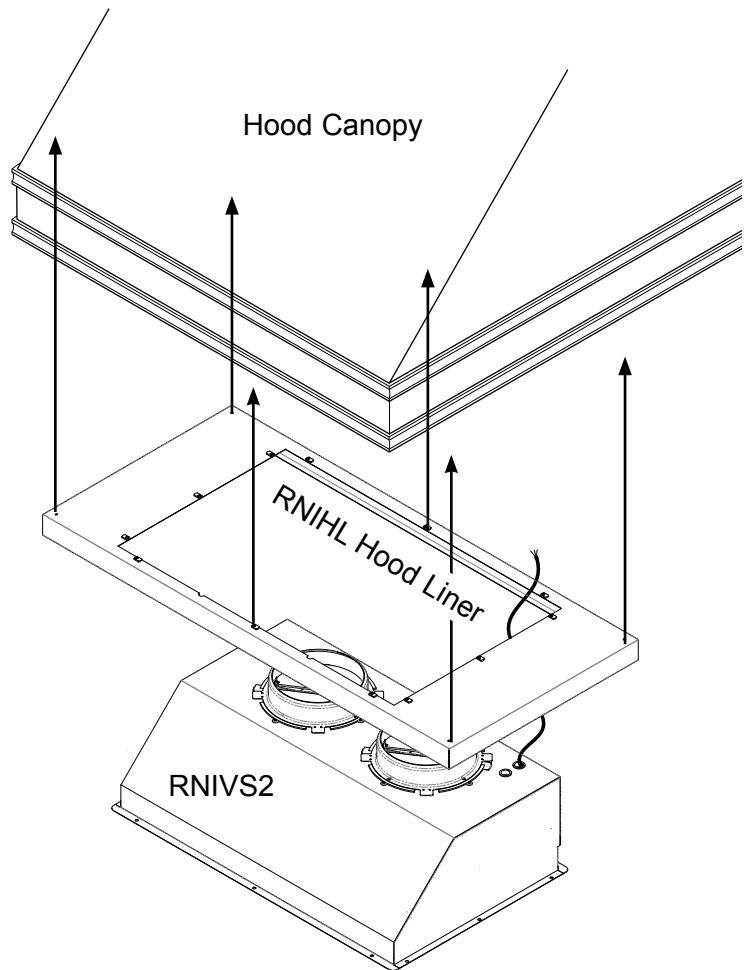
lock washers



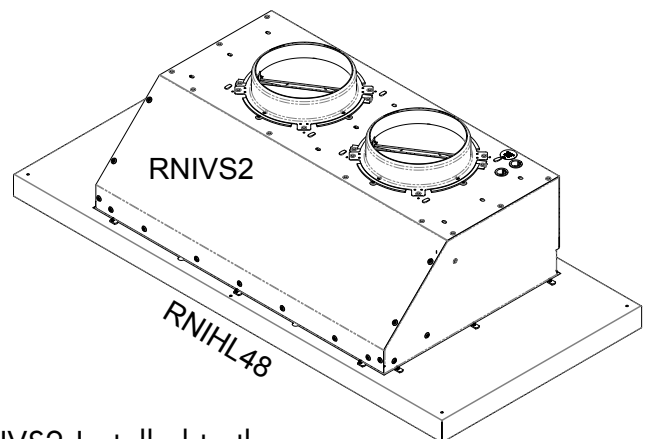
bolts



Hardware to Attach the  
**RNIVS to the RNIHL Hood Liner**



**Installing the RNIHL Hood Liner into the Hood Canopy**



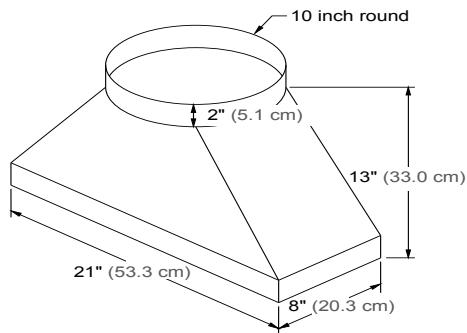
**RNIVS2 Installed to the RNIHL48 Hood Liner**

# Installation Instructions

## Attaching the Dual-to-Single Transition Kit #ATD10

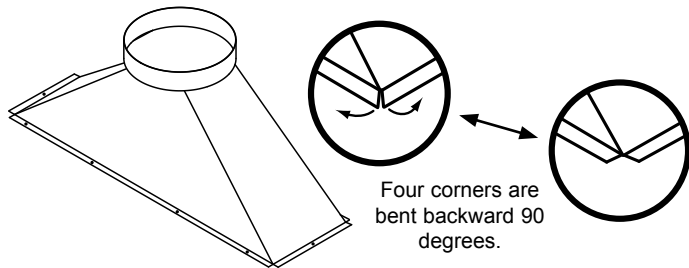
Two 8" ducts can be transitioned into one 10" duct.

- Attach the kit # ATD10 *before installing the RNIVS.*
- The kit fits over the top ventilation exits.



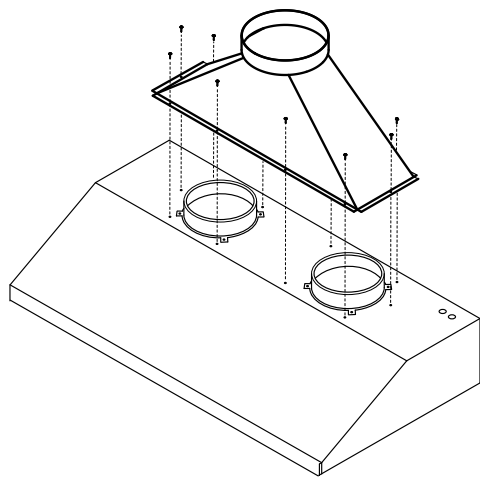
## Preparing the ATD10

Bend the flanges outward at right angles around the base.



## Attaching the ATD10

1. Center the ATD10 transition kit over the duct collars.



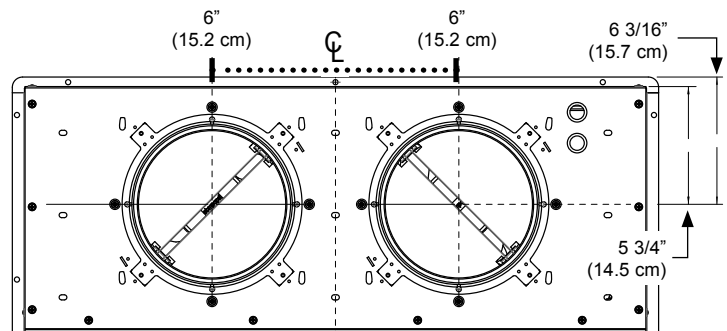
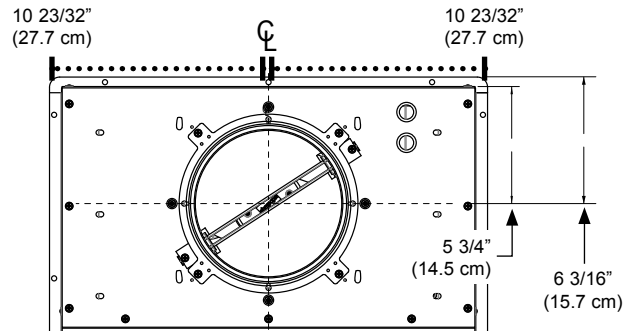
2. Drill holes for screws in the flanges. Make sure the holes pierce the top of the RNIVS (see right).
3. Fasten the ATD10 into place using sheet metal screws (not included).
4. Seal the base of the ATD10 with foil or duct tape.

## Marking the Centerlines

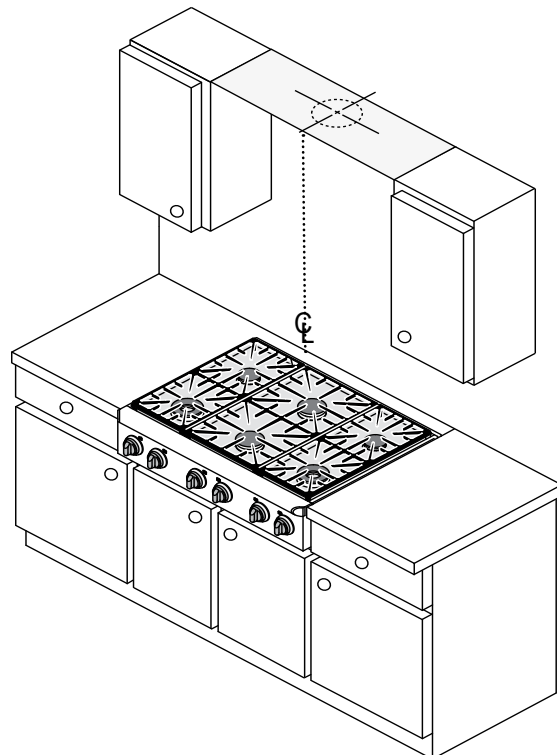
All tolerances are  $\pm 1/16"$  ( $\pm 0.16$  cm)

This procedure is for centering the RNIVS and marking the duct cutouts. Have a marking tool and tape measure ready.

1. Using the appropriate model below, mark the cooking unit centerline (see image at right).



2. Measure the top exhaust CL dimensions overhead.



3. Cut a hole 1" larger than the duct size you are using. (Dual exhaust models require two holes.)

# Installation Instructions

## Installing the RNIVS

### **WARNING**

*Installing the RNIVS requires two people.*

Do not attempt to lift and hold the RNIVS without assistance.

Wear protective gloves while holding the unit. Sharp edges can cause injury to hands and fingers.

**NOTE:** If using a liner kit with the RNIVS, please follow the instructions on page 13.

**NOTE:** If using the RNIVS without a liner kit, use a 3/8" spacer.

**See the next page.**

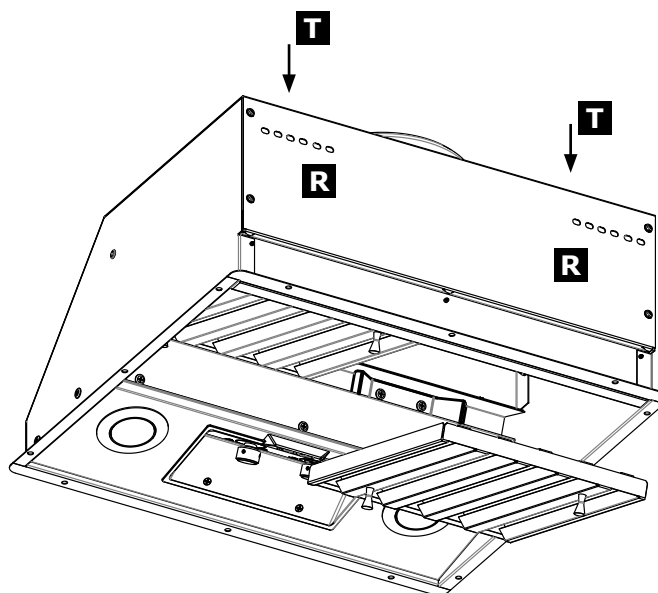
**When hanging the RNIVS, be careful not to scratch or damage the unit.**

1. Remove the plastic film from the RNIVS.
2. Install a 3/8" spacer on the back of the RNIVS, or install a spacer on the canopy or wall.  
*Refer to the figures on the facing page.*
3. Choose and measure the top and rear mounting holes that will mount the RNIVS to the canopy or wall. See figure, **Mounting Holes** at right.

Mark the measurements on the canopy or wall.

This is where screws will hold the RNIVS to the wall studs or anchors.

4. Drill pilot or anchor holes. If using anchors, insert them into the anchor holes.
5. Raise and adjust the RNIVS into its final position, and fasten it into place using appropriate mounting screws or fastening hardware.



**T** Top mounting holes

**R** Rear mounting holes

### **Mounting Holes**



# Installation Instructions

## Adding a Spacer

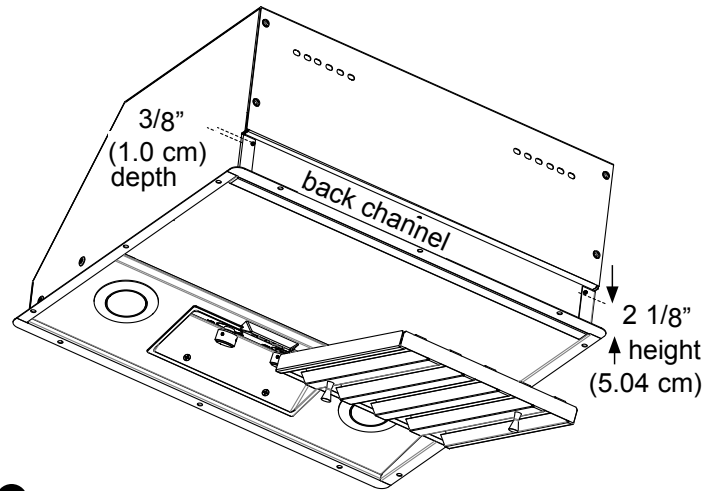
If using the RNIVS without a liner kit, use a 3/8" spacer:

The flange circling the bottom of the unit will *not* allow the unit to lay flat against a wall.

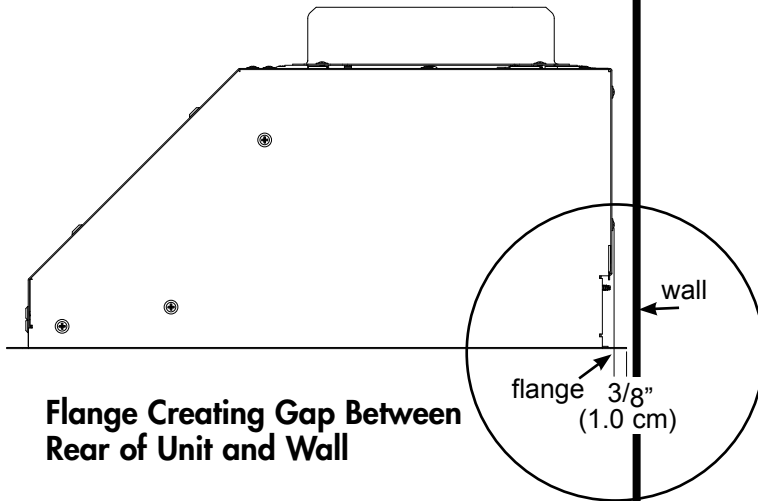
Therefore, use a 3/8" spacer behind the rear mounting holes to ensure that the unit lays flush against the wall or canopy.

See images below that illustrate the 3/8" flange extension that prevents the unit from being flush against a wall.

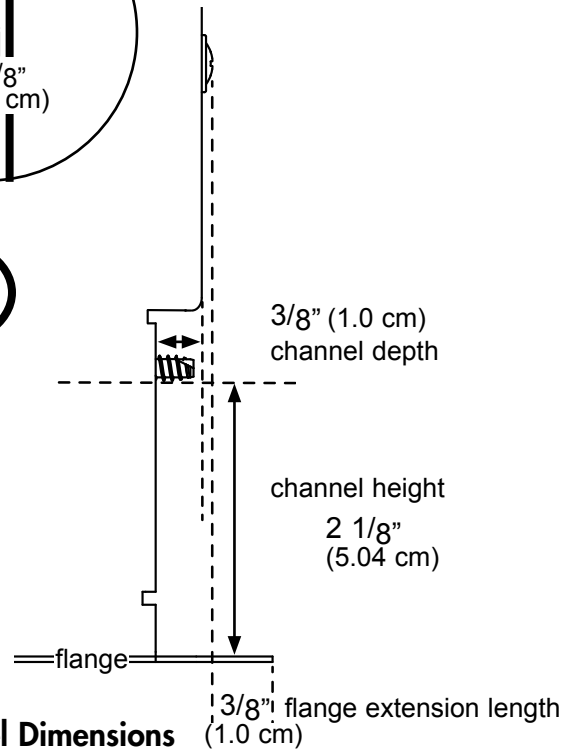
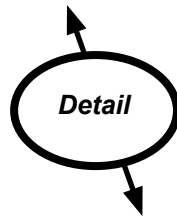
The image *Channel Dimensions* is for added information only. These dimensions are not critical for standard installation.



**Channel Dimensions**



**Flange Creating Gap Between Rear of Unit and Wall**



**Details of Flange and Channel Dimensions**

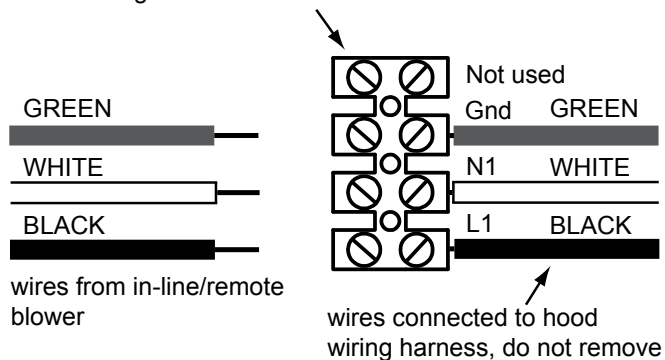
# Installation Instructions

## Hardwiring the Hood

### WARNING

- To avoid electric shock or fire hazard, make sure that power to the RNIVS power supply line is turned OFF at the fuse box or circuit breaker before connecting the electrical wiring.
- Miswiring the RNIVS electrical wiring can create an electric shock or fire hazard and could damage the RNIVS' electrical system. See page 25-26.
- Do not ground the wires to the neutral (white) wire. Connect the ground wire to a separate, properly grounded ground-wire installed by a licensed electrician.
- Make sure that all wire used is the correct gauge and capable of handling the total connected loads and meeting all codes.

remote blower series: REMP or ILHSF  
wiring terminal inside unit



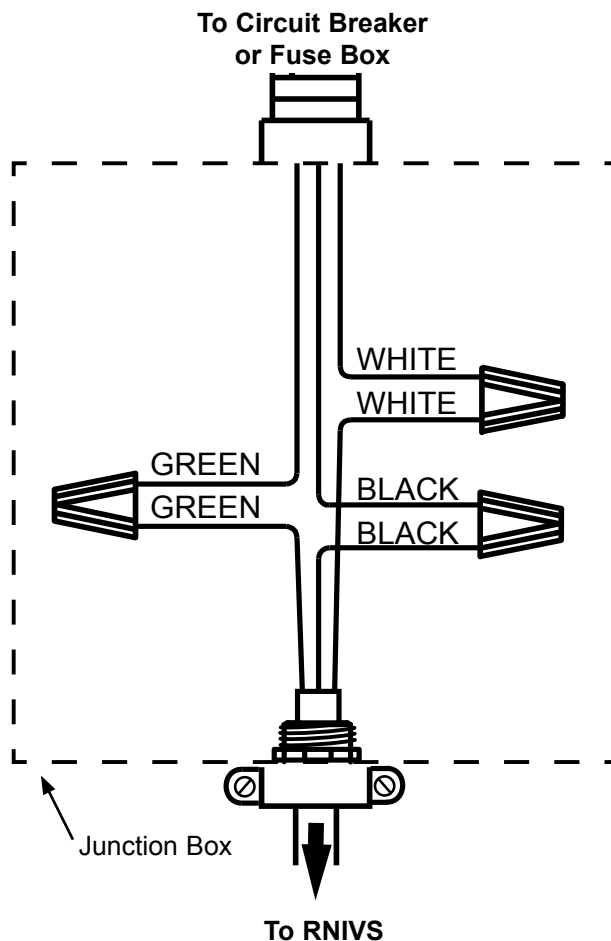
**Control Panel Wire Diagram**

The above right diagram shows how to wire the blower(s) to the RNIVS control panel.

The lower right diagram shows how to hardwire the unit to the home's circuit breaker (main power source).

### To Hardwire the RNIVS to the Main Power Source:

1. Follow the illustration at right called **Junction Box Wire Diagram**.



**Junction Box Wire Diagram**

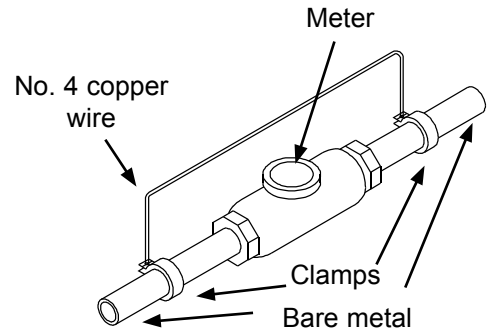
# Installation Instructions

## Grounding to a Cold-Water Pipe

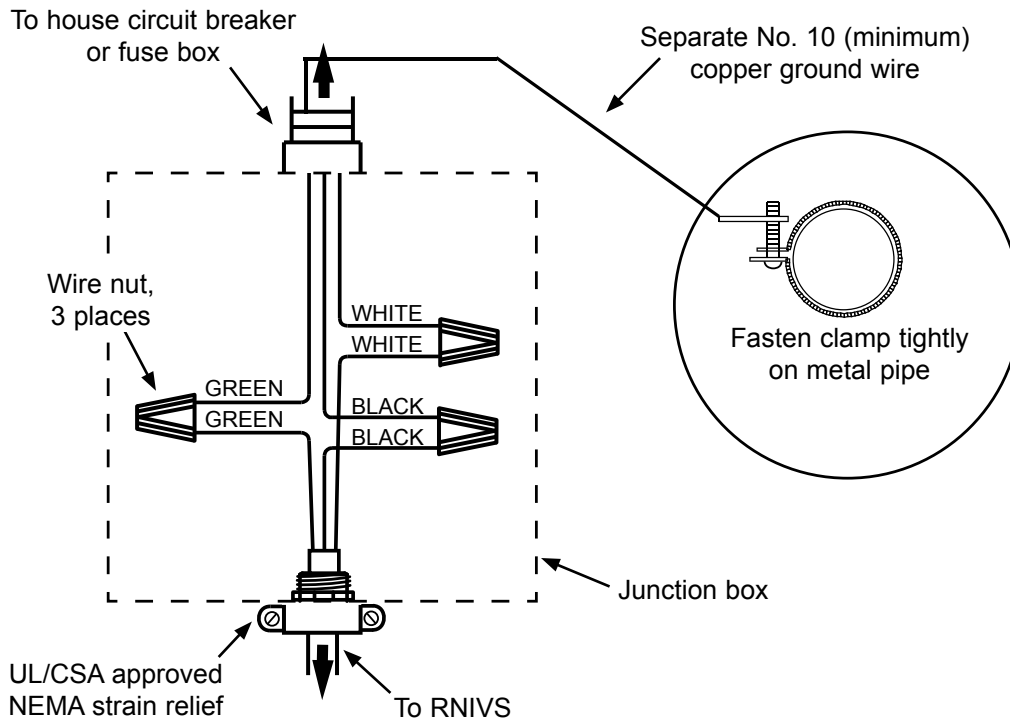
### **WARNING**

- Do not ground the circuit to a gas line.
- Do not ground the circuit to a hot water pipe.
- Water lines that are insulated must be jumped to assure continuity to ground. See below.

To ground the RNIVS to a cold water pipe, refer to the images on this page.



**Metal Cold Water Pipe  
(detail)**



## Grounding Using an External Cold Water Pipe

# Installation Instructions

## Inserting Dimmable Light Bulbs

Size: PAR16, E26/27  
75 Watt max., 60 Amp

Make sure dimmable bulbs are used. The electronic board is designed for dimmable light bulbs and using non-dimmable types will cause damage and faulty performance.

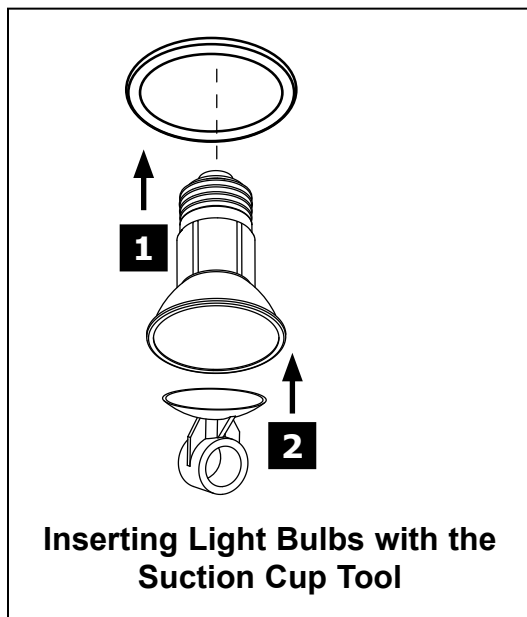
Shut the main circuit breaker OFF while inserting new bulbs or while changing bulbs. *If an electrical short occurs while the main power circuit is ON, significant damage can occur.*

Follow the diagram to the right.

1. Insert a bulb into one of the light sockets.
2. Attach the suction cup to the lens of a dimmable light bulb. (Both are supplied parts.)

Make sure the bulbs are clean and dry so the suction cup will stick.

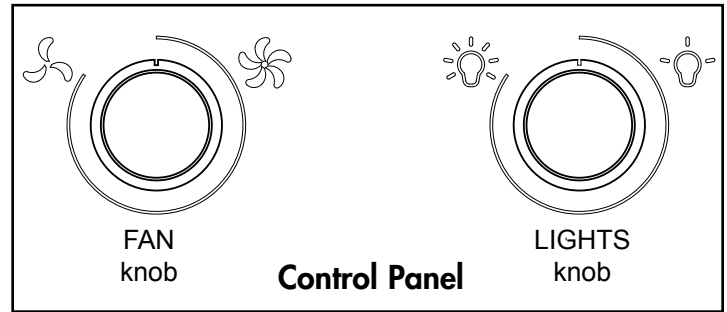
3. Screw it into place and remove the suction cup.
4. Repeat for the remaining light fixtures.
5. Switch the main circuit power ON.



Replacement Part Number	Replacement Kit Description
702666	Dimmable LED 7.5W (1 bulb + 1 suction cup)
700975	Halogen Bulb 75W (1 bulb + 1 suction cup)

**TIP:** Replace all bulbs when changing from LED to Halogen because of the difference in light color.

## Verifying the Setup



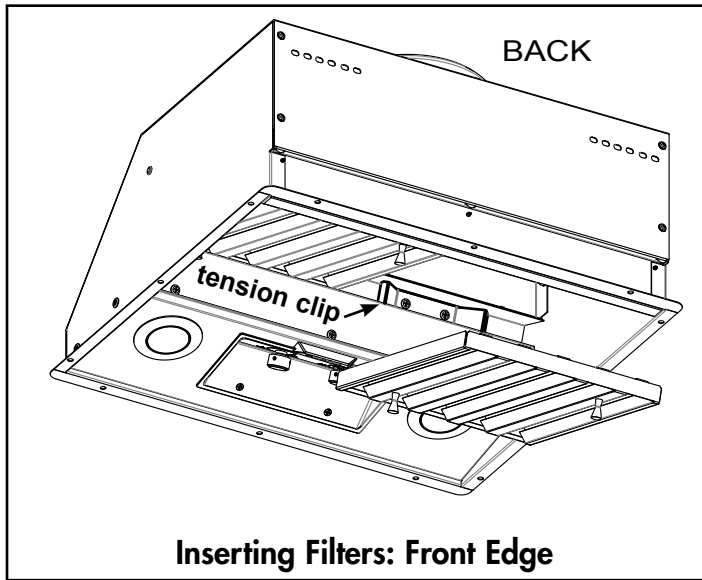
Verify the setup to ensure everything functions correctly:

1. Turn the power ON at the circuit panel or fuse box.
2. Assemble the filters if not already done so.
3. Insert the filters gently:
  - *Be careful not to scratch the back of the grease channel!*
  - Raise the front edge into the tension clip, and press forward.
  - Lift the **rear edge** up and above the grease channel.
  - *Use caution not to scratch the filter against the grease channel or scratch other parts of the unit or filters.*
  - Set the rear edge onto the grease channel.
4. Turn the **LIGHTS** knob. Twist the knob half-way around for the lights to illuminate.
5. Turn the **LIGHTS** knob in the opposite direction to turn the lights off.
6. Turn the **FAN** knob. The fan(s) will start at maximum speed and decrease as you continue.
7. Turn the **FAN** knob in the opposite direction to turn the fan(s) off.

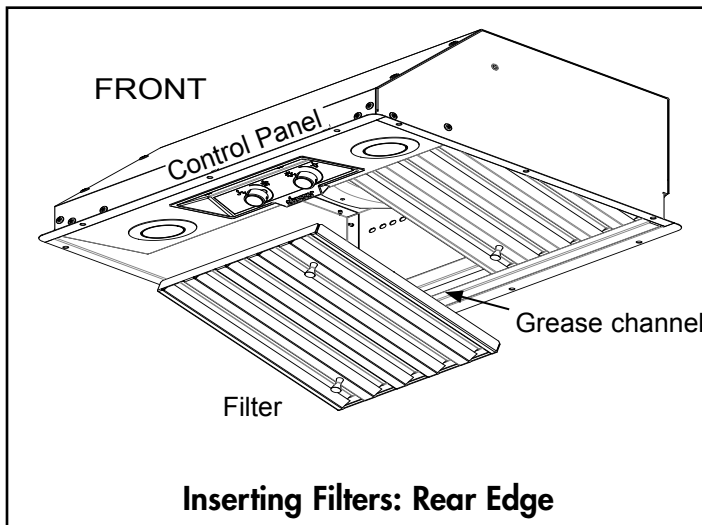
### If the RNIVS Fails to Function Correctly:

1. Verify that power is supplied to the RNIVS via the outlet, circuit breaker, or another main power source.
2. Make sure the electrical supply has not been disrupted by a blown fuse or problems in the outlet or service.
3. Check the electrical connections to ensure that the wiring installation has been completed correctly.
4. Repeat the above steps.
  - If the RNIVS still does not work, contact Dacor Customer Assurance: 833-35-ELITE (833-353-5483).
  - Do not attempt to repair the appliance yourself.
  - Dacor is not responsible for service required to correct a faulty installation.

# Installation Instructions



**Inserting Filters: Front Edge**



**Inserting Filters: Rear Edge**

## The Installation Checklist

### **WARNING**

- To ensure a safe and correct installation, the following checklist should be completed by the installer to ensure that no part of the installation has been overlooked.
- Proper installation is the responsibility of the homeowner. The importance of proper installation of your Dacor range RNIVS cannot be overemphasized.

- Is the RNIVS properly attached to the canopy according to the instructions on pages 18?
- Is the ductwork completely installed? Are all joints attached with sheet metal screws and wrapped with foil tape? See page 13.
- Is the RNIVS wired and grounded according to these instructions and in accordance with all applicable electric codes? See pages 12, 23 and 25.
- Has the setup been verified? See page 23.
- Have any problems been noted on the warranty card or during the on-line warranty activation?
- Has the warranty been activated on-line or the warranty card filled out completely and mailed?

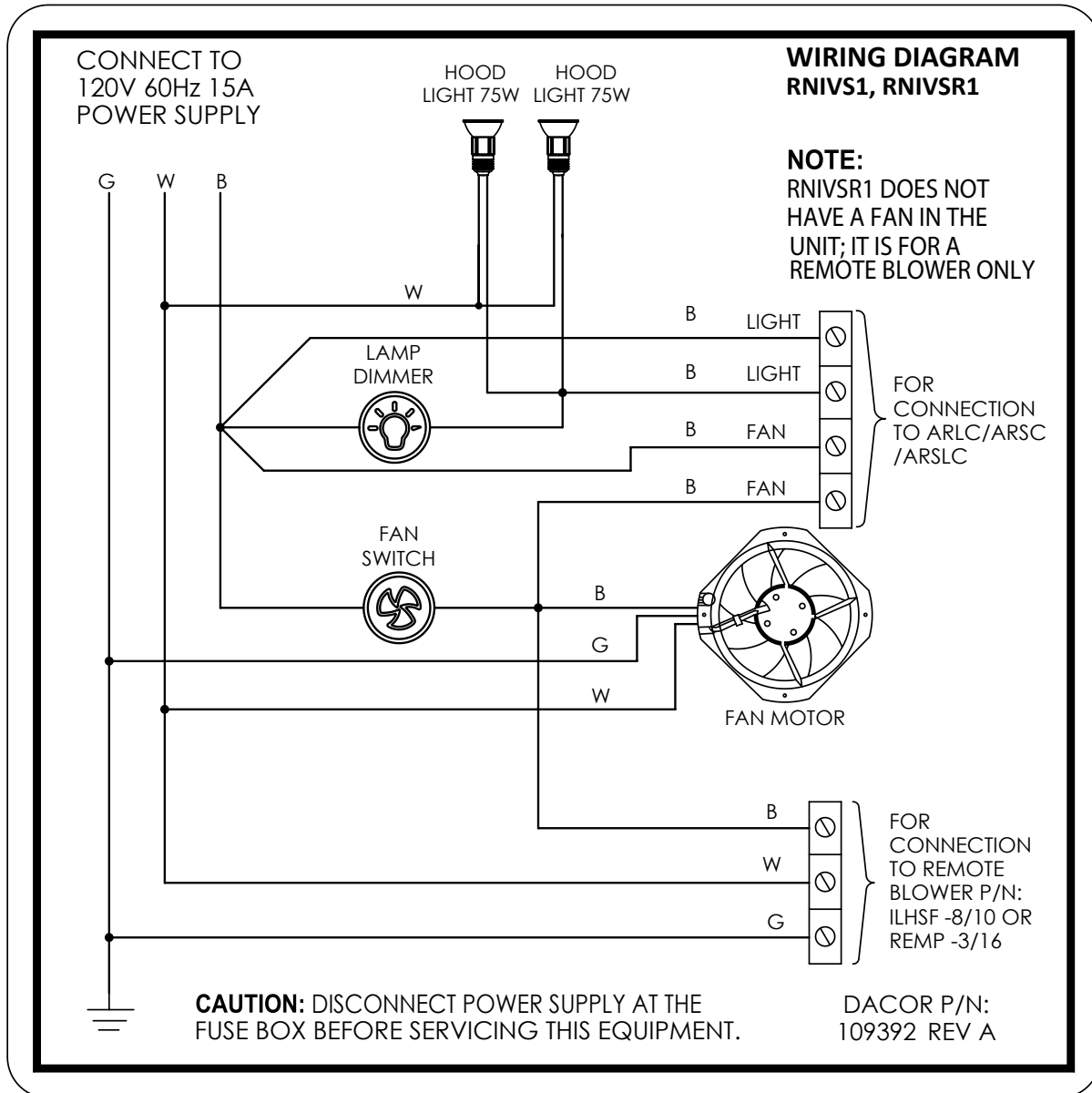
*The warranty card is located in the Use and Care booklet.*

### Dacor Replacement Parts

Part Number	Description
702579	Baffle Style Filter Kit (1 Filter + Hardware)
702580	Baffle Style Filter Kit (2 Filters + Hardware)
702666	Dimmable LED Bulb Kit (1 Bulb + Suction Cup)
700975	Halogen Bulb Kit (1 Bulb + 1 Suction Cup)

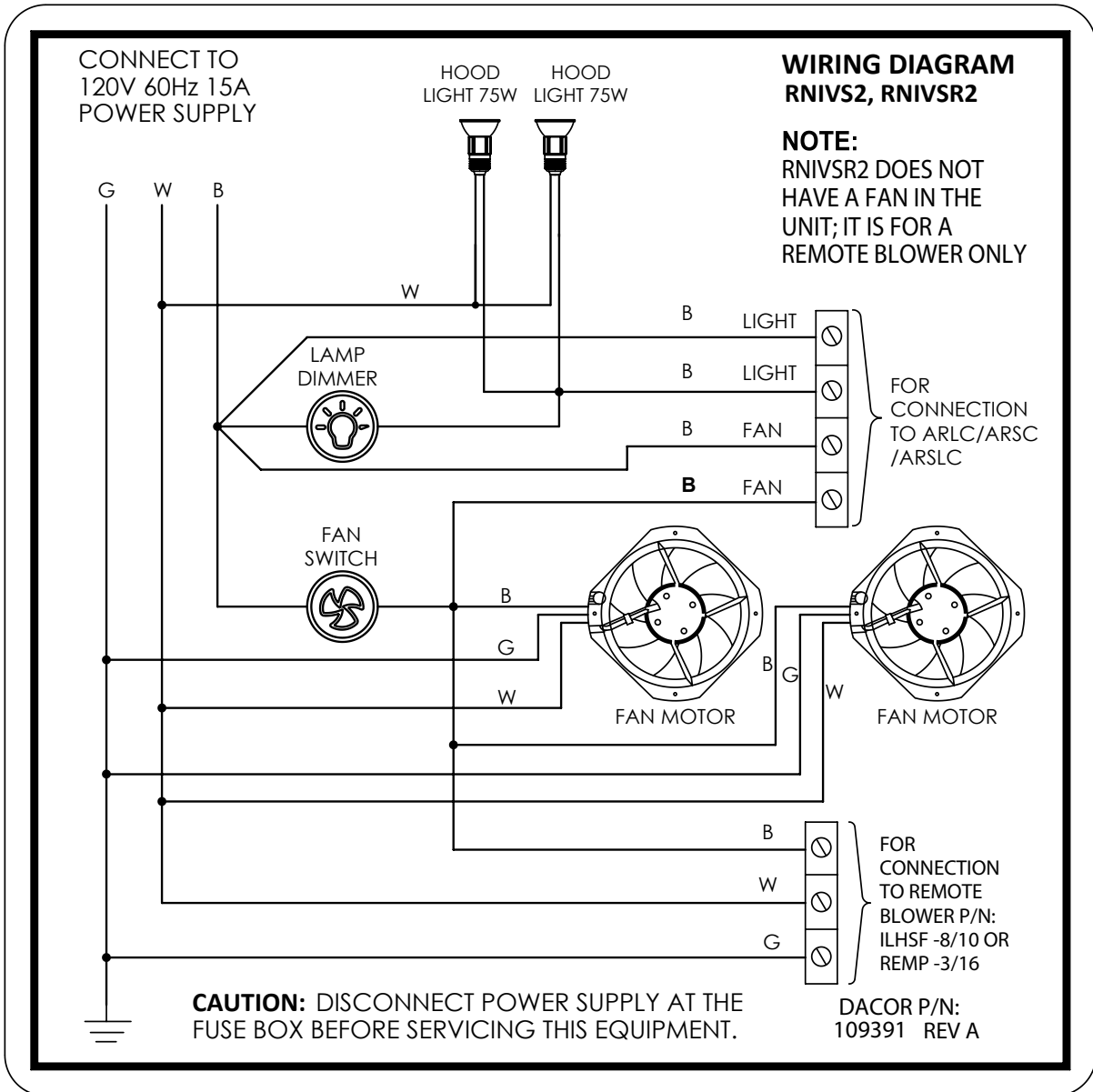
# Wiring Diagrams

## RNIVS1 & RNIVSR1



# Wiring Diagrams

## RNIVS2 & RNIVSR2



***dacor***

LET THE SHOW BEGIN