



Integrated Hood Liner

PLANNING GUIDE

⚠ WARNING

- Observe all local ordinances during planning and installation. Contact your local building department for details.
- DO NOT install an additional inline or external blower to increase the length of the duct run. Even small differences in blower airflow rates can greatly reduce the air draw of the hood.

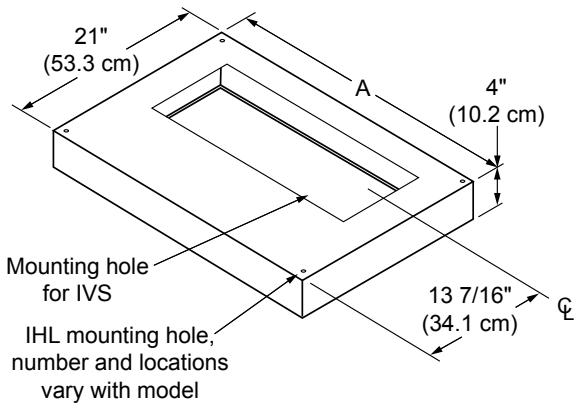
About the IHL-Series Integrated Hood Liner

Dacor's integrated hood liner makes up the space between the IVS and a custom-built range hood. The IHL is constructed with non-combustible stainless steel. Together, IHL and IVS appliances can be built into a custom hood structure to provide the required ventilation needed to safely and efficiently remove cooking odors and gases from the house.

IHL Hood-Liner Dimensions (see below)		
Model	(A) Width	Qty. of Mounting Holes/ Mounting Screws Required*
IHL30	27" (68.6 cm)	4
IHL36	33" (83.8 cm)	4
IHL42	39" (99.1 cm)	6
IHL48	45" (114.3 cm)	6
IHL54	51" (129.5 cm)	6

* #8 mounting screws (not included) are required. Length and type depend on the specific application (mounting material).

Ventilation System Compatibility	
IHL Model	IVS Model
IHL30	IVS1
IHL36	IVS1
IHL42	IVS2
IHL48	IVS2
IHL54	IVS2



Height of IHL Hood Liner/IVS Ventilation System When Assembled

