



Installation Instructions/User Manual

Heritage Integrated Hood Liner

RNIHL30, RNIHL36, RNIHL48

Table of Contents

Important Safety Instructions	1	Care and Cleaning	6
Important Information About Safety Instructions	1	Maintaining the Liner.....	6
General Safety Precautions	1	Cleaning the Liner.....	6
Preparation and Setup	2	Warranty	7
Planning the Installation.....	2	Warranty Card	Back Cover
Product Specifications.....	3		
Installation Instructions	4		
Installing the RNIHL (Hood Liner).....	4		
Installing the RNIVS (Ventilation System).....	5		
Verifying the Setup.....	5		

Before You Begin...

Important:

- **Installer:** For safety and to minimize problems, read this manual thoroughly before starting the installation. Leave this manual with the owner.
For owner reference, write below the unit's model and serial numbers, which are on the data plate.
- **User:** Keep this manual for personal and professional reference.

If you have installation issues, contact Dacor Customer Assurance. When you call, have available the unit's model and serial numbers, which are on the unit's data label.

Dacor Customer Assurance

Phone: 833-35-ELITE (833-353-5483) USA, Canada
Mon – Fri 5:00 A.M. to 5:00 P.M. Pacific Time

Website: www.dacor.com/customer-care/contact-us

All specifications are subject to change without notice. Dacor assumes no liability for changes to specifications.

Important Safety Instructions

Important Information About Safety Instructions

- The **Important Safety Instructions** and warnings in these instructions are not meant to cover all possible problems and conditions that can occur. Use common sense and caution when installing, maintaining, or operating this or any other appliance.
- Always contact Dacor Customer Assurance about issues you cannot resolve.

Safety Symbols and Labels

These alerts are meant to bring attention to important areas in the manual. Whenever you see these symbols or labels, read the message carefully before continuing.

DANGER

Immediate hazards that **WILL** result in severe personal injury or death.

WARNING

Hazards or unsafe practices that **COULD** result in severe personal injury or death.

CAUTION

Hazards or unsafe practices that **COULD** result in *minor* personal injury or property damage.

General Safety Precautions

TO REDUCE THE RISK OF FIRE, ELECTRIC SHOCK, OR INJURY TO PERSONS, OBSERVE THE FOLLOWING:

1. Use this unit only in the manner intended by the manufacturer. If you have questions, contact the manufacturer.
2. Before servicing or cleaning unit, switch power OFF at service panel and lock the service disconnecting means to prevent power from being switched on accidentally. When the service disconnecting means cannot be locked, securely fasten a prominent warning device, such as a tag, to the service panel. Exception: The additional safety instructions do not apply to a ceiling-suspended fan.

TO REDUCE THE RISK OF A RANGE TOP GREASE FIRE:

1. Never leave surface units unattended at high settings. Boilovers cause smoking and cause greasy spillovers that could ignite. Heat oils slowly on low or medium settings.
2. Always turn hood ON when cooking at high heat or when cooking flaming foods.
3. Clean ventilating fans frequently. Grease should not be allowed to accumulate on fan or filter.
4. Use proper pan size. Always use cookware appropriate for the size of the heating element.

TO REDUCE THE RISK OF INJURY TO PERSONS IN THE EVENT OF A RANGE TOP GREASE FIRE, OBSERVE THE FOLLOWING*:

1. SMOTHER FLAMES with a close-fitting lid, cookie sheet, or metal tray, then turn the burner OFF. BE CAREFUL TO PREVENT BURNS. If the flames do not go out immediately, EVACUATE AND CALL THE FIRE DEPARTMENT.
2. NEVER PICK UP A FLAMING PAN - You may be burned.
3. DO NOT USE WATER, including wet dishcloths or towels - a violent steam explosion will result.
4. Use an extinguisher ONLY if:
 - a) You know you have a Class ABC extinguisher, and you already know how to operate it.
 - b) The fire is small and contained in the area where it started.
 - c) The fire department is being called.
 - d) You can fight the fire with your back to an exit.

*From "Kitchen Fire Safety Tips" published by NFPA.

Preparation and Setup

Planning the Installation

The Heritage Integrated Hood Liner (RNIHL) is made from of non-combustible stainless steel. Its dimensions and design make it an excellent component for any custom hood.

These liners fit the Heritage Integrated Ventilation Systems (RNIVS) shown in this table:

Compatibility		
Liner Model	Model	
RNIHL30	RNIVS1	RNIVSR1
RNIHL36	RNIVS1	RNIVSR1
RNIHL48	RNIVS2	RNIVSR2

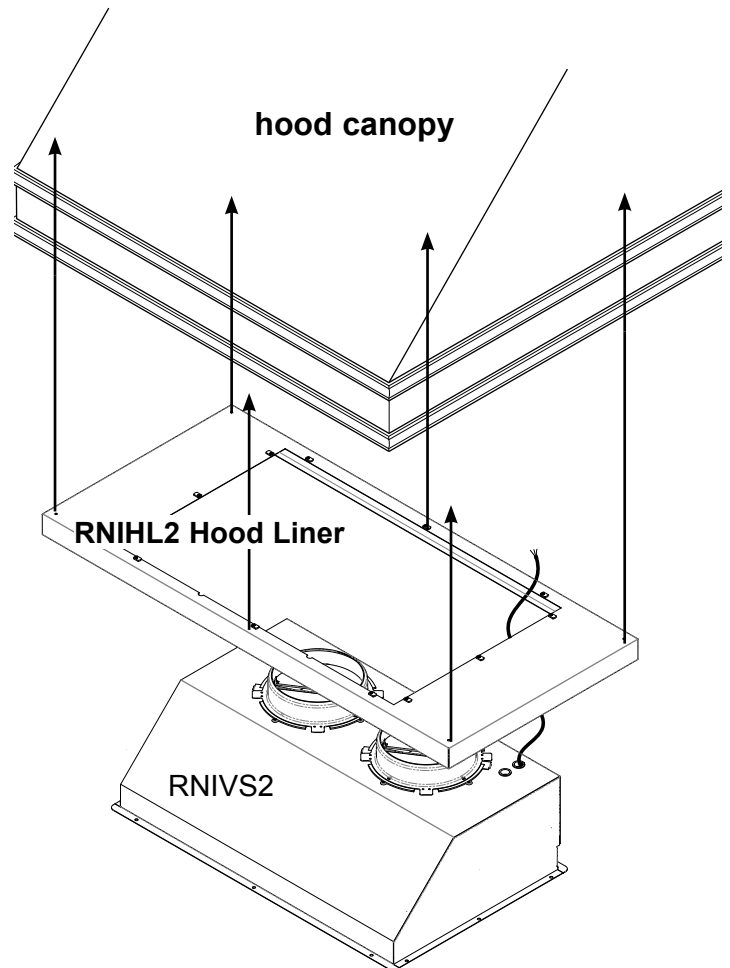
See the RNIVS *Installation Instructions* manual for details and specifications.

Model	Weight
RNIVS1	28 lb. (12.70 kg)
RNIVS2	44 lb. (20 kg)
RNIVSR1	23.35 lb. (10.60 kg)
RNIVSR2	37.4 lb. (17 kg)

Model	Weight
RNIHL30	5 lb. (2.3 kg)
RNIHL36	5.5 lb. (2.5 kg)
RNIHL48	7 lb. (3.18 kg)

For general cooking ventilating use only. Do not use to exhaust hazardous or explosive materials and vapors.

- Follow the complete RNIVS *Installation Instructions* manual to correctly install your custom hood ventilation system.
- Follow all electrical requirements specified in the RNIVS *Installation Instructions*.
- The RNIHL Series Hood Liner has no electrical parts.
- Plan the installation so that all minimum clearances are met or exceeded.
- The RNIVS is attached using the lock washers and bolts provided with the RNIHL liner. Quantity varies according to the RNIHL liner model.
- The RNIHL liner is designed for vertical exhaust duct (VED) configurations only.



Planning a Hood-Liner Installation

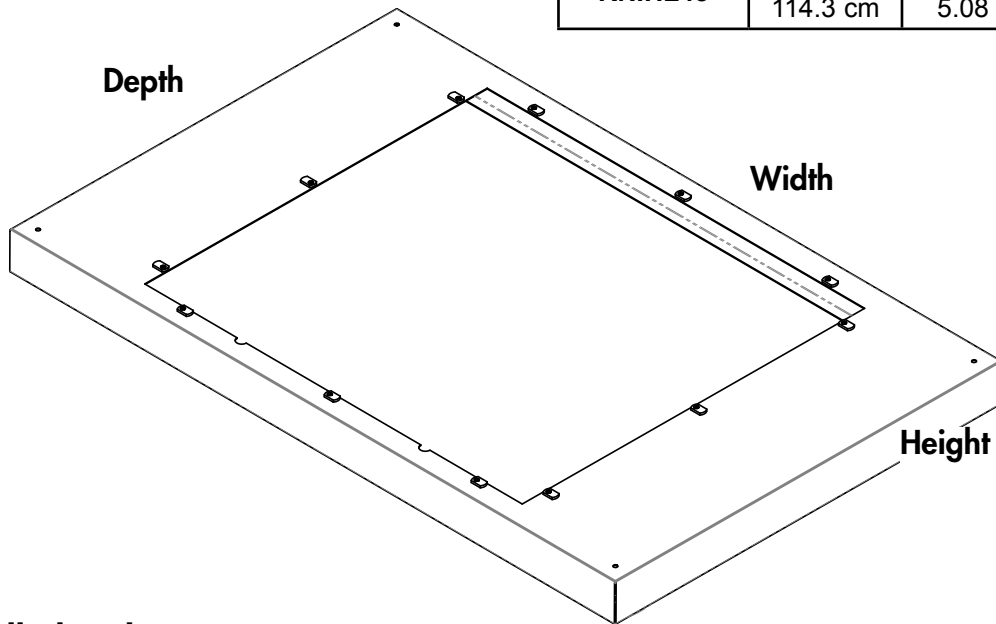
Preparation and Setup

Product Specifications

Tolerance: $\pm 1/16"$ (± 0.32 cm)

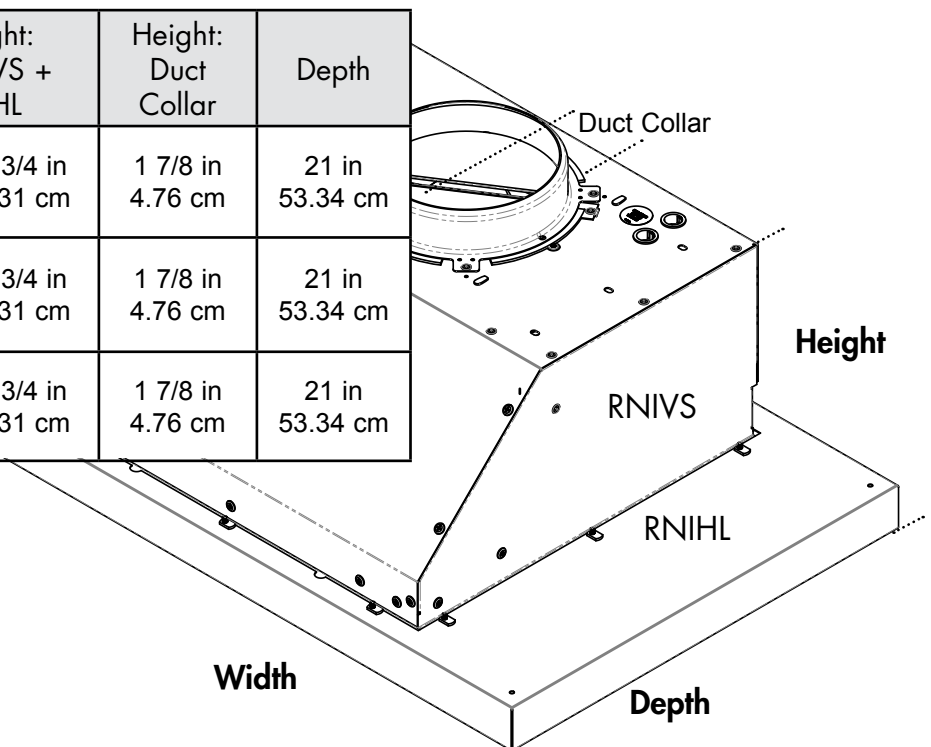
Heritage Integrated Hood Liner (Model RNIHL)

RNIHL Hood Liner	Width	Height	Depth	Weight
RNIHL30	27 in 68.58 cm	2 in 5.08 cm	21 in 53.34 cm	5 lb. 2.3 kg
RNIHL36	33 in 83.82 cm	2 in 5.08 cm	21 in 53.34 cm	5.5 lb. 2.5 kg
RNIHL48	45 in 114.3 cm	2 in 5.08 cm	21 in 53.34 cm	7 lb 3.18 kg



Installed with a Heritage Integrated Ventilation System (Model RNIVS)

RNIHL Hood Liner + RNIVS Int. Vent System	Width	Height: RNIVS + RNIHL	Height: Duct Collar	Depth
RNIHL30 + RNIVS1 & RNIVSR1	27 in 68.58 cm	10 3/4 in 27.31 cm	1 7/8 in 4.76 cm	21 in 53.34 cm
RNIHL36 + RNIVS1 & RNIVSR1	33 in 83.82 cm	10 3/4 in 27.31 cm	1 7/8 in 4.76 cm	21 in 53.34 cm
RNIHL48 + RNIVS2 & RNIVSR2	45 in 114.3 cm	10 3/4 in 27.31 cm	1 7/8 in 4.76 cm	21 in 53.34 cm



Installation Instructions

Installing the RNIHL (Hood Liner)

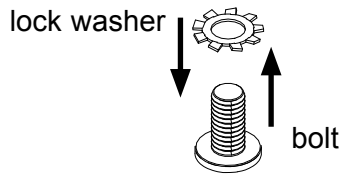
The hood canopy must already be mounted and ready for the ventilation system to be installed. But before the ventilation system is installed, the hood liner is fitted inside.

Refer to the following images when installing the hood liner.

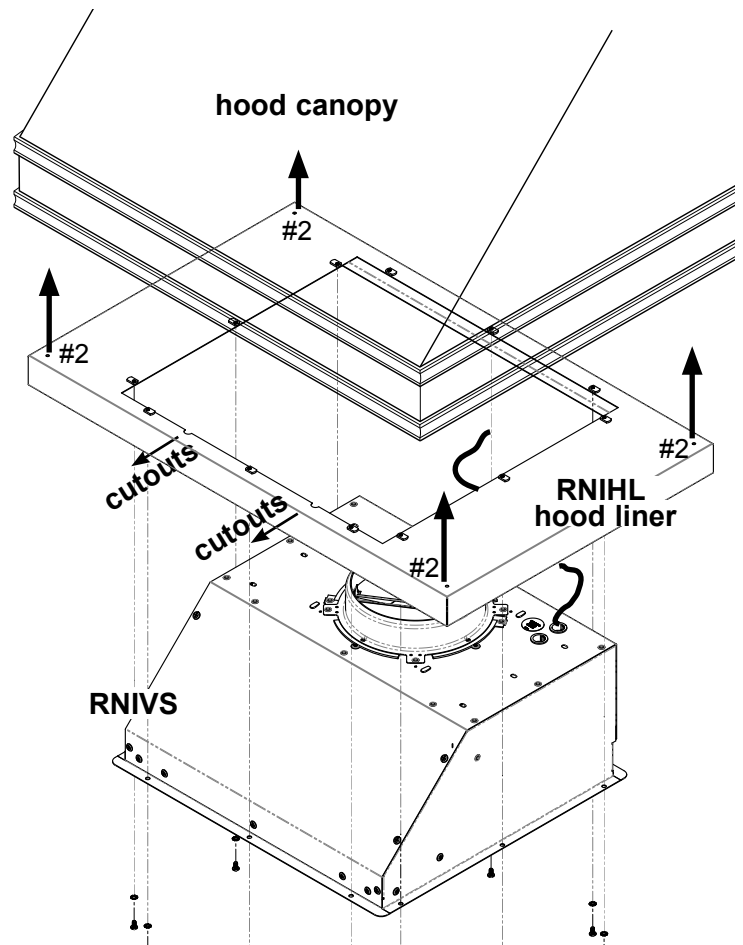
To Install the RNIHL Hood Liner:

1. Position the RNIHL with the half-circle *cutouts* pointing forward.
2. Mount the RNIHL with mounting screws (not provided) at the corners of the liner. See #2 in the image at right.

Make sure the RNIHL is securely fastened to the hood canopy. The RNIHL will hold the weight of the RNIVS.



Mounting Hardware



Installing the RNIHL Hood Liner Inside a Hood Canopy

Installation Instructions

Installing the RNIVS (Ventilation System)

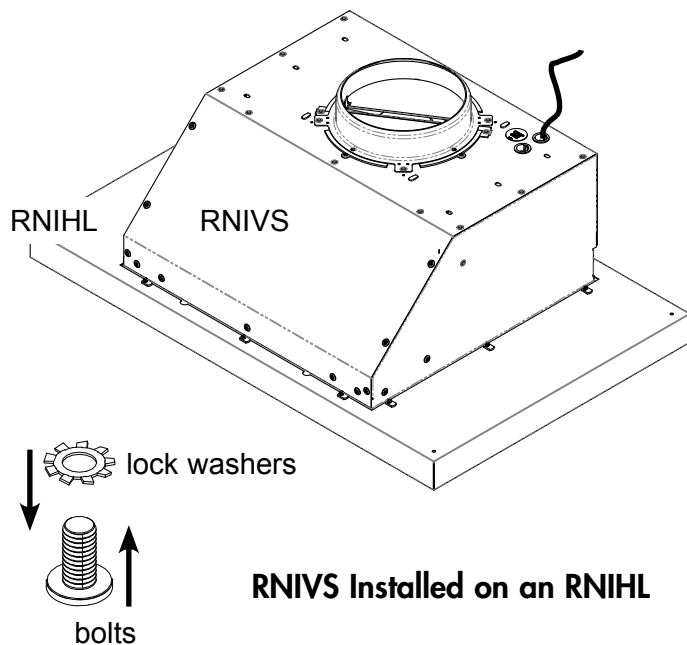
The hood liner must be secured inside the hood canopy and ready for the ventilation system to be attached.

Refer to the image below while installing the ventilation system.

To Install the RNIVS:

1. Feed the electrical wires through the hood liner opening (see the previous graphic).
2. Push the RNIVS through opening of the RNIHL until it stops.
3. Attach the RNIVS to the RNIHL using all the lock washers and bolts (see images at right). This hardware is provided.
4. The installed RNIVS will sit atop the RNIHL. The assembled parts will look like the image on the right.

Make sure the RNIHL is securely fastened to the hood canopy. The RNIHL will hold the weight of the RNIVS.



Verifying the Correct Setup

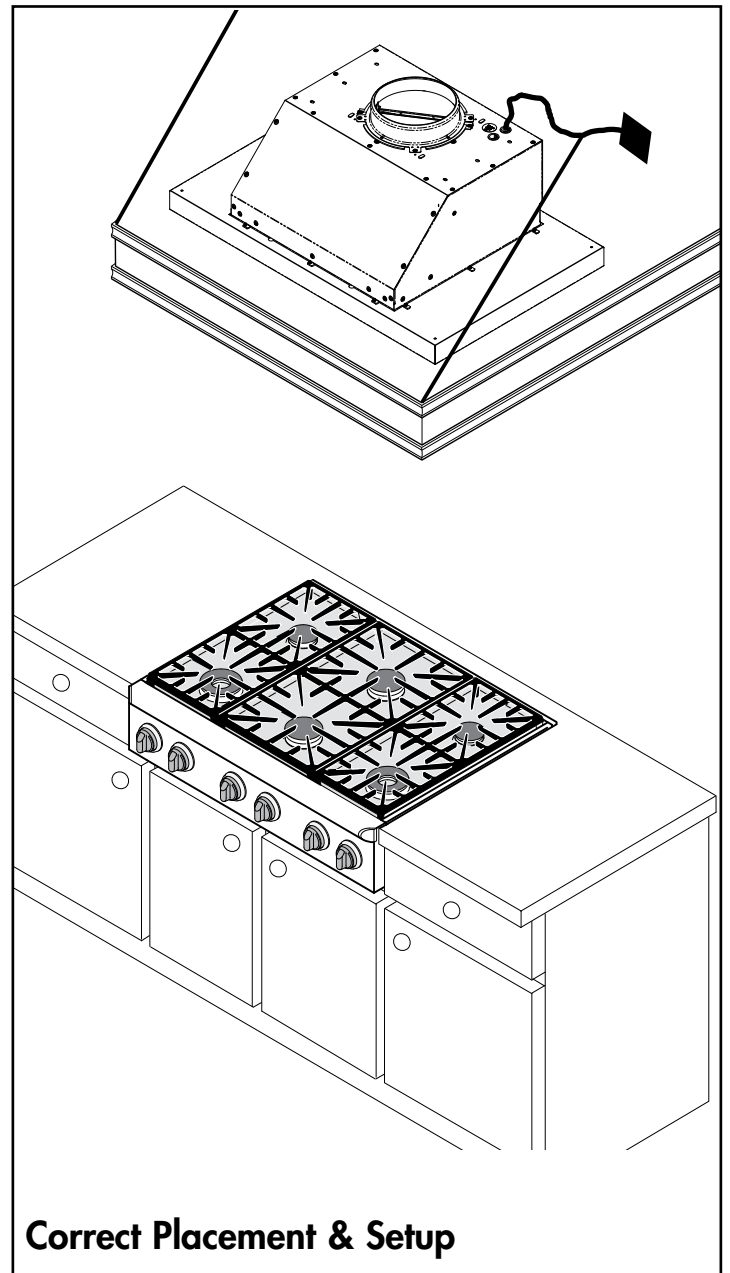
See the RNIVS *Installation Instructions*, and follow the steps in **Verifying the Correct Setup**.

NOTE: If the blower or lights do not function correctly, follow these troubleshooting steps:

1. Verify that power is being supplied to the RNIVS.
2. Verify the electrical connections are wired correctly.
3. If the unit still does not work, contact Dacor Customer Assurance: 833-353-5483.

Do not attempt to repair the unit yourself. Have the model and serial numbers available when you call.

Dacor is not financially responsible for correcting issues due to faulty installation.



Care & Cleaning

Maintaining the Hood Liner

The RNIHL is a sheet of formed stainless steel. There are no moving or replaceable parts.

No maintenance is required.

Cleaning the Hood Liner

Clean the RNIHL as you would any other stainless-steel surface.



WARNING

- Before cleaning, turn off power to the RNIVS.
- Wait until the hood and cooking unit are safe to touch before cleaning.



CAUTION

- Always wipe stainless-steel with the grain.
- Do not use abrasive cleaners/scrubbers on stainless steel or glass.
- To avoid damaging the fans, do not reinstall damaged filters.

- Adapt the cleaning cycle to the type/volume of cooking.
- Remove soil as soon after use as possible.

Cleaning Stainless-Steel Surfaces

- Clean the RNIHL with a mild solution of dish soap and warm water, always wiping with the grain. (For best results, use Dacor stainless-steel cleaner; contact Dacor Customer Assurance to order the cleaner; see inside front cover for contact information).
- Do not clean with abrasive cleaners or abrasive cloths.
- Rinse and dry with a micro-fiber or other soft, lint-free cloth.

Warranty

Review this section to learn the warranty and non-warranty terms and conditions concerning this product. For details/clarifications, contact Dacor.

What Is Covered—Certificate of Warranties: Dacor Range Hoods

Within the 50 States of the USA, District of Columbia, and Canada*

Full 1-Year Warranty	<p>The warranty applies only to the Dacor appliance sold to the first-use purchaser, starting from the date of original retail purchase or closing date for new construction, whichever period is longer. The warranty is valid on products purchased brand new from a Dacor Authorized Dealer or other Dacor authorized seller.</p> <p>If your Dacor product fails to function within one year of the original date of purchase due to a defect in material or workmanship, Dacor will remedy it without charging you.</p> <p>All cosmetic damage (e.g., scratches on stainless steel, paint/porcelain blemishes, etc.) to the product or included accessories must be reported to Dacor within 60 days of the original purchase date to qualify for warranty coverage.</p>
Coverage Limitations	<p>Service will be provided by a Dacor-designated service company during regular business hours. (Service providers are independent entities and are not agents of Dacor.)</p> <p>These types of products carry a one-year parts warranty only:</p> <ul style="list-style-type: none"> • Dealer-display and model-home-display products with a production date greater than 5 years • Products sold “As Is” • Products installed for non-residential use (e.g., religious organizations, fire stations, bed and breakfast, spas, etc). <p>All delivery, installation, labor costs, and other service fees are the purchaser’s responsibility.</p> <p>The warranty is null and void if the product’s serial numbers and/or tags are altered/defaced/missing.</p> <p>The owner must provide proof of purchase or a closing statement for new construction upon request.</p> <p>All Dacor products must be accessible for service.</p>

Outside the 50 States of the USA, District of Columbia, and Canada*

Limited 1st-Year Warranty	<p>If your Dacor product fails to function within one year of the original date of purchase due to a defect in material or workmanship, Dacor will furnish a new part, FOB Factory**, to replace the defective part.</p> <p>All delivery, installation, labor costs, and other service fees are the buyer’s responsibility.</p>
---------------------------	---

*The warranty is null and void if a non-UL-approved product is transported from the US; **(Free On Board at the Factory) Title (responsibility for the product) passes to the buyer when the goods leave Dacor’s loading dock. Dacor pays the freight charges, but the **buyer** is responsible for claims against the product and for promptly notifying Dacor of product shortages/damage/shipping errors. (For details/clarification on the subject of *FOB Factory*, contact Dacor Customer Service at the toll-free number provided.)

What Is Not Covered

- Slight color variations (due to differences in painted parts, kitchen lighting, product placement, etc)
- Service calls (to teach the user proper use and care of the product)
- Travel fees to islands/remote areas (ferries, toll roads, etc)
- Consequential/incidental damage (food/medicine loss, time away from work, restaurant meals, etc)
- Product failure (when product is used for commercial, business, rental, or any application other than residential use)
- Product failure (caused by improper product installation)
- Replacement of house fuses, fuse boxes, or resetting of circuit breakers)
- Product damage (caused by accident, fire, flood, power interruption, power surges, or other “acts of God”)
- Liability or responsibility for damage to surrounding property (cabinetry, floors, ceilings, and other structures/objects)
- Breakage, discoloration, or damage to glass, metal surfaces, plastic parts, trim, paint, or other cosmetic finish from improper use/abuse/care/neglect
- Consumable parts (e.g., filters, light bulbs).

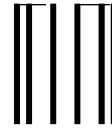
Out of Warranty

Contact us if you experience a service issue beyond the standard warranty period. Dacor reviews each issue and customer concern to provide the best possible solution under the circumstances.

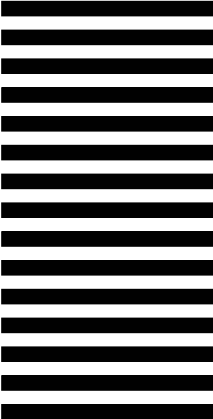
THE REMEDIES PROVIDED IN THE ABOVE EXPRESS WARRANTIES ARE THE SOLE AND EXCLUSIVE REMEDIES; THEREFORE, NO OTHER EXPRESS WARRANTIES ARE MADE, AND OUTSIDE THE FIFTY STATES OF THE UNITED STATES, THE DISTRICT OF COLUMBIA AND CANADA, ALL IMPLIED WARRANTIES, INCLUDING BUT NOT LIMITED TO, ANY IMPLIED WARRANTY OF MERCHANTABILITY OR FITNESS FOR A PARTICULAR USE OR PURPOSE, ARE LIMITED IN DURATION TO ONE YEAR FROM THE DATE OF ORIGINAL PURCHASE. IN NO EVENT SHALL DACOR BE LIABLE FOR INCIDENTAL EXPENSE OR CONSEQUENTIAL DAMAGES. IN THE EVENT DACOR PREVAILS IN ANY LAWSUIT, DACOR SHALL BE ENTITLED TO REIMBURSEMENT OF ALL COSTS AND EXPENSES, INCLUDING ATTORNEY’S FEES, FROM THE DACOR CUSTOMER. NO WARRANTIES, EXPRESS OR IMPLIED, ARE MADE TO ANY BUYER FOR RESALE.

Some states do not limit the length of an implied warranty, or do not exclude/limit inconsequential damages; therefore, the above exclusions/limitations may not apply to you. This warranty gives you specific legal rights. You may also have other/additional rights depending on the state in which you reside.

fold here



NO POSTAGE
NECESSARY
IF MAILED
IN THE
UNITED STATES



BUSINESS REPLY MAIL
FIRST-CLASS MAIL PERMIT NO 1600 CITY OF INDUSTRY CA

POSTAGE WILL BE PAID BY ADDRESSEE

**DACOR
ATTN WARRANTY PROCESSING DEPT
PO BOX 90070
CITY OF INDUSTRY CA 91715-9907**





Please visit www.dacor.com to activate your warranty online.

WARRANTY INFORMATION



IMPORTANT:

Your warranty will not be activated until you activate it online or return this form to Dacor. If you have purchased more than one Dacor product, please return all forms in one envelope or activate the warranty for each product online.

Please rest assured that under no conditions will Dacor sell your name or any of the information on this form for mailing list purposes. We are very grateful that you have chosen Dacor products for your home and do not consider the sale of such information to be a proper way of expressing our gratitude!

Owner's Name: _____

Last (Please Print or Type)

First

Middle

Street: _____

City: _____ State: _____ Zip: _____

Purchase Date: _____ Email: _____ Telephone: _____

Dealer: _____

City: _____ State: _____ Zip: _____

Your willingness to take a few seconds to fill in the section below will be sincerely appreciated. Thank you.

1. How were you **first** exposed to Dacor products? (Please check one only.)

- A. T.V. Cooking Show
- B. Magazine
- C. Appliance Dealer Showroom
- D. Kitchen Dealer Showroom
- E. Home Show
- F. Builder
- G. Architect/Designer
- H. Another Dacor Owner
- I. Model Home
- J. Other _____

2. Where did you buy your Dacor appliances?

- A. Appliance Dealer
- B. Kitchen Dealer
- C. Builder Supplier
- D. Builder
- E. Other _____

3. For what purpose was the product purchased?

- A. Replacement **only**
- B. Part of a Remodel
- C. New Home
- D. Other _____

4. What is your household income?

- A. Under \$75,000
- B. \$75,000 – \$100,000
- C. \$100,000 – \$150,000
- D. \$150,000 – \$200,000
- E. \$200,000 – \$250,000
- F. Over \$250,000

5. What other brands of appliances do you have in your kitchen?

- A. Cooktop _____
- B. Oven _____
- C. Dishwasher _____
- D. Refrigerator _____

6. Would you buy or recommend another Dacor product?

- Yes
- No

Comments: _____

Thank you very much for your assistance. The information you have provided will be extremely valuable in helping us plan for the future and giving you the support you deserve.

