



Modernist® 30", 36" Wide, Electric Induction Cooktops

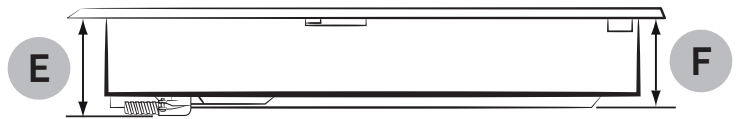
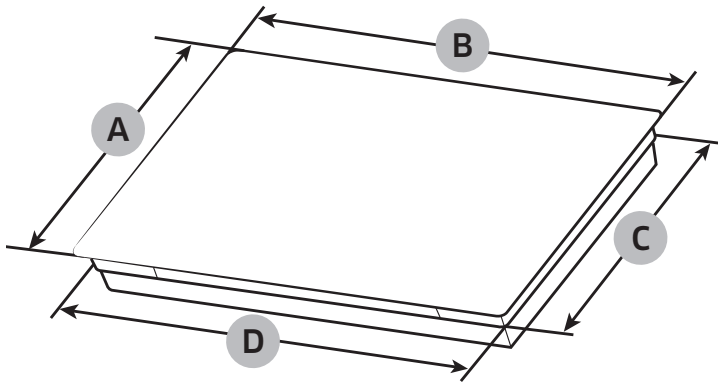
PLANNING GUIDE

WARNING

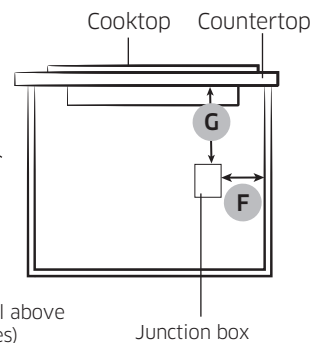
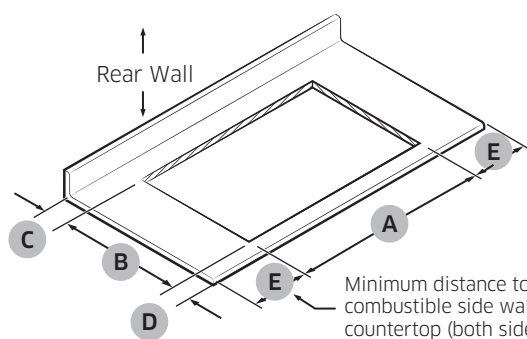
- Follow local codes/ordinances during planning and installation. (Contact the local building department for details.)
- The cooktop must be installed per its installation instructions. Dacor is not responsible for product damage/failure due to faulty installation.

IMPORTANT:

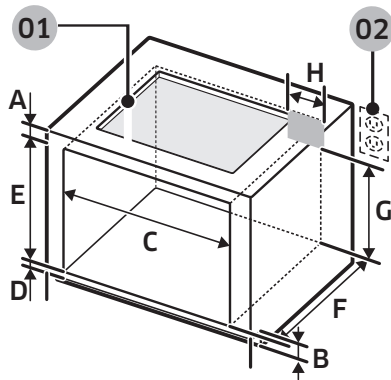
If installing a range hood or microwave hood combination above the cooktop, follow the range hood or microwave hood combination installation instructions for dimensions and clearance above the cooktop surface.



Cabinet		30" (mm)	36" (mm)
A	Frame Depth	21 ¹ / ₄ " (540)	21 ¹ / ₄ " (540)
B	Frame Width	30" (762)	36" (914)
C	Case Depth	19 ¹ / ₂ " (494.6)	19" (481.6)
D	Case Width	28 ³ / ₈ " (720)	33 ³ / ₄ " (856.6)
E	Conduit Case Height	4" (101)	4" (101)
F	Case Height	3 ¹ / ₈ " (80.5)	3 ¹ / ₈ " (80.5)



	DTI30M**** (30")	DTI36M**** (36")
A	28 ¹ / ₂ " - 28 ¹¹ / ₁₆ " (724 mm - 728 mm)	33 ⁷ / ₈ " - 34" (860 mm - 864 mm)
B	19 ⁹ / ₁₆ " - 19 ⁵ / ₈ " (497.4 mm - 499.4 mm)	19 ¹ / ₈ " - 19 ³ / ₁₆ " (485.6 mm - 487.6 mm)
C	Min 1 ¹ / ₈ " (28 mm). Between cutout and the wall behind the cooktop	
D	Min 1 ¹ / ₂ " (38 mm). From front edge of cutout and front edge of countertop	
E	Min 1" (26 mm). Distance nearest left-/right-side combustible surface above cooktop.	
F	Junction box or outlet 10" (254 mm) maximum from right-hand side of cabinet	
G	Junction box or outlet 15" (381 mm) minimum from bottom of countertop	

Single Oven Under counter


01 See built-in oven installation for full instructions. See label on approved built-in oven models.

02 Refer installation Manual of OVEN.

NOTE

If cabinet has a drawer, a min. 127 mm (5") clearance from cooktop bottom to top of drawer (or other surface) in base cabinet is required.

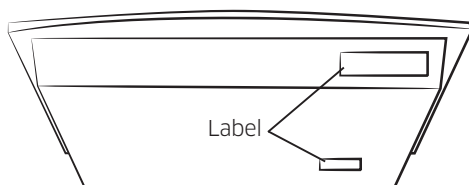
IMPORTANT:

The junction box must be located where it will allow considerable slack in the conduit for serviceability.

	Size
A	Min. 3 ³ / ₄ " (9.5 cm)
B	4" (10.1 cm)
C	Min. 28 ¹ / ₂ " / Max. 28 ⁵ / ₈ " (Min. 72.4 cm / Max. 72.7 cm)
D	Min. 1" / Max. 1 ¹ / ₄ " (Min. 2.5 cm / Max. 3.2 cm)
E	Min. 27 ¹ / ₄ " / Max. 27 ³ / ₈ " (Min. 69.2 cm / Max. 69.5 cm)
F	24" (61 cm)
G	Min. 22" (Min 55.9 cm)
H	Max. 9 ¹ / ₂ " (Max. 24.1 cm) - Junction Box

Electrical requirements
⚠ WARNING

Electrical Shock Hazard Disconnect power before servicing. Use 8 gauge solid copper wire. Electrically ground cooktop.



Failure to follow these instructions can result in death, fire, or electrical shock.

If codes permit and a separate ground wire is used, it is recommended that a qualified electrical installer determine that the ground path and the wire gauge are in accordance with local codes. Check with a qualified electrical installer if you are not sure the cooktop is properly grounded.

Refer the label on the bottom or front of the cooktop for power requirements and model information.

This cooktop must be connected to a grounded metal, permanent wiring system. Be sure that the electrical connection and wire size are adequate and in conformance with the National Electrical Code, ANSI/NFPA 70-latest edition or CSA Standards C22. 1-94, Canadian Electrical Code, Part 1 and C22.2 No. 0-M91-latest edition, and all local codes and ordinances. A copy of the above code standards can be obtained from:

National Fire Protection Association
1 Batterymarch Park
Quincy, MA 02169-7471

CSA International
178 Rexdale Boulevard,
Toronto, ON, Canada M9W 1R3



Modernist® 30", 36" Wide, Electric Induction Cooktops

PLANNING GUIDE

Before you make the electrical connection:

To properly install your cooktop, you must determine the type of electrical connection you will be using and follow the instructions provided for it here.

- A 3-wire or 4-wire, single phase, **208 or 240 volt AC**, 60-Hz, power supply is required on a dedicated **double pole circuit breaker** of at least 40 amps for the 30" cooktop, and of at least 45 amps for the 36" cooktop.

NOTE

- The cooktop is rated 240 volt. Some models have a neutral (white) wire.
- The cooktop should be connected directly to the junction box through flexible, armored or nonmetallic sheathed, copper cable. The flexible, armored cable extending from the fuse box or circuit breaker box should be connected directly to the junction box.
- Locate the junction box to allow as much slack as possible between the junction box and the cooktop so that the cooktop can be moved if servicing becomes necessary in the future.
- Do not cut the conduit. Use the length of conduit provided.
- A UL listed or CSA approved conduit connector is necessary at each end of the power supply cable (at the cooktop and at the junction box). A listed conduit connector is already provided at the cooktop.
- If the house has aluminum wiring, follow the procedure below:
 1. Connect a section of solid copper wire to the pigtail leads.
 2. Connect the aluminum wiring to the added section of copper wire using special connectors and/or tools designed and UL listed for joining copper to aluminum.

Follow the electrical connector manufacturer's recommended procedure. Aluminum/copper connection must conform with local codes and industry accepted wiring practices.