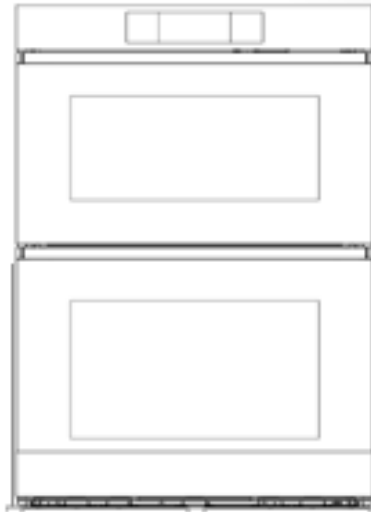


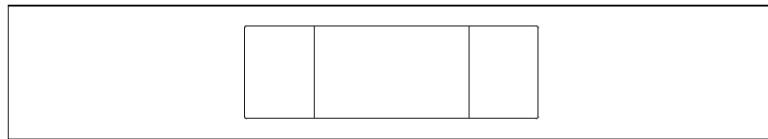
Planning Guide

Combination Speed Oven
DOC30M977

UNIT

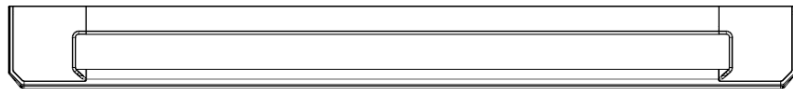


CONTROL



**Flat aluminum
(Graphite or SILVER)**

HANDLE



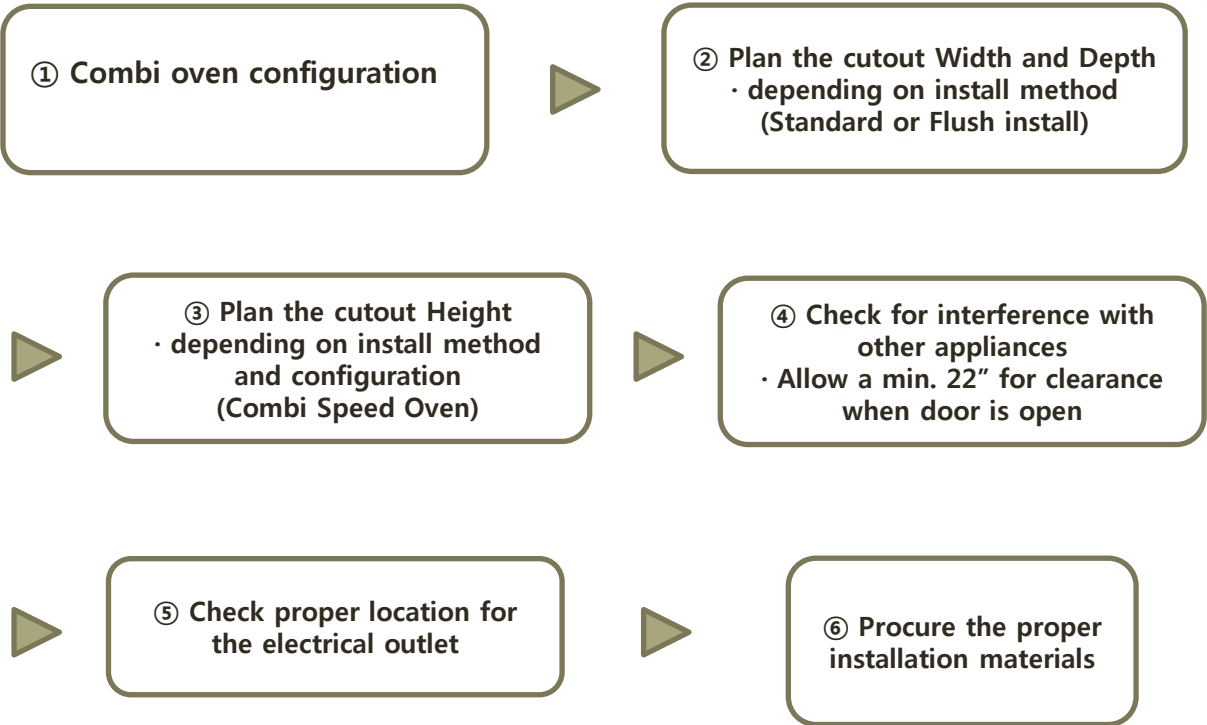
**Flat aluminum
(Graphite or SILVER)**

GLASS



**Smog glass, Black printing with silver logo
(Transparency 33%)**

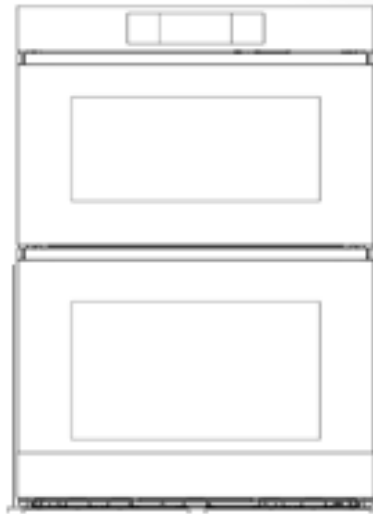
PLANNING CHECK PROCESS



① Combi oven configuration

	MW Combi Double Oven
Width	30"(Lower oven)
Control Panel	Silver or Graphite Aluminum
Handle	Silver or Graphite Aluminum

MW Combi Double Oven



DOC30M977DS (Silver)
 DOC30M977DM (Graphite)

② Plan the cutout Width and Depth
 · depending on install method
 (Standard or Flush install)



③ Plan the cutout Height
 · depending on install method and
 configuration

It is important to observe the specified dimensions of the installation cutout for a trouble-free installation of the appliance.

- The appliance can be installed two ways, STANDARD INSTALL or FLUSH INSTALL, Note: cabinet cut out dimensions are different for each method.
- Standard install needs recessed dimensions and Flush install needs overall dimensions.
- Detailed install dimensions can be confirmed by reviewing the Installation Instructions.
- Install the COMBI OVEN at least 12"(30cm) away from other appliances.

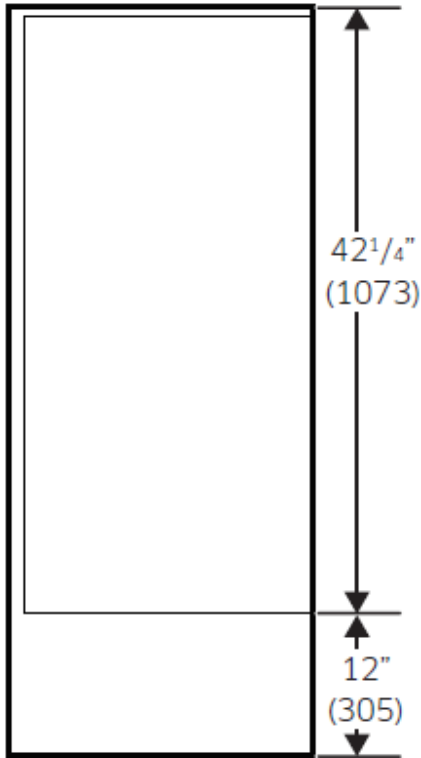
	TOP VIEW	SIDE VIEW
<p>STANDARD INSTALL (Refer to the recessed dimensions)</p>	<p style="text-align: center;">$28\frac{1}{2}''$</p>	<p style="text-align: center;">$42''$</p>
<p>FLUSH INSTALL (Refer to the overall dimensions)</p>	<p style="text-align: center;">$29\frac{3}{4}''$</p>	<p style="text-align: center;">$43\frac{9}{16}''$</p>

- ④ Check for interference with other appliances
 · Allow a min. 22" for clearance when door is open

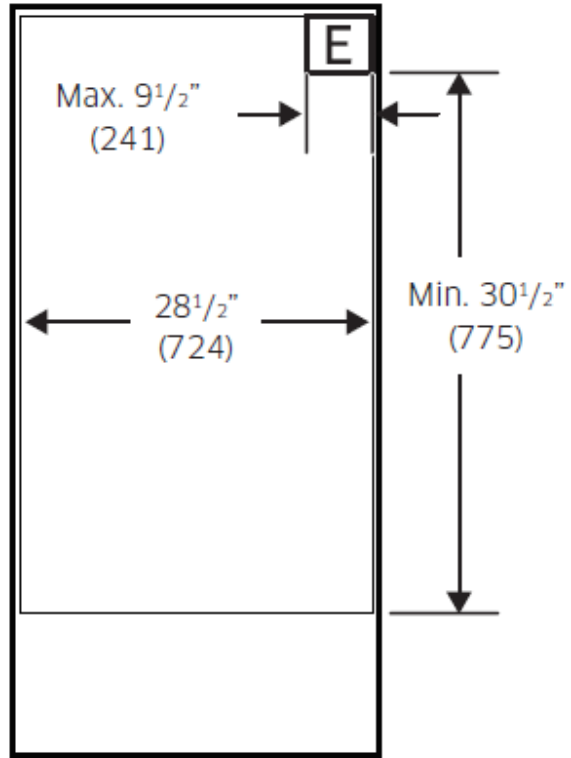


- ⑤ Check proper location for the electrical outlet

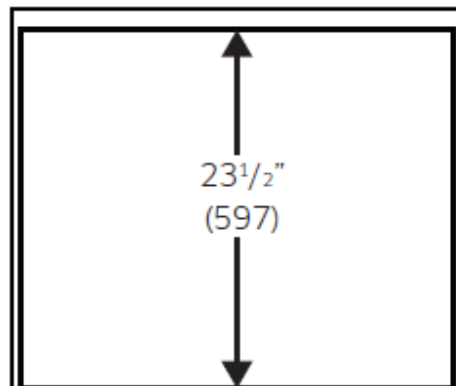
■ Combi Speed Oven_Standard



Side view

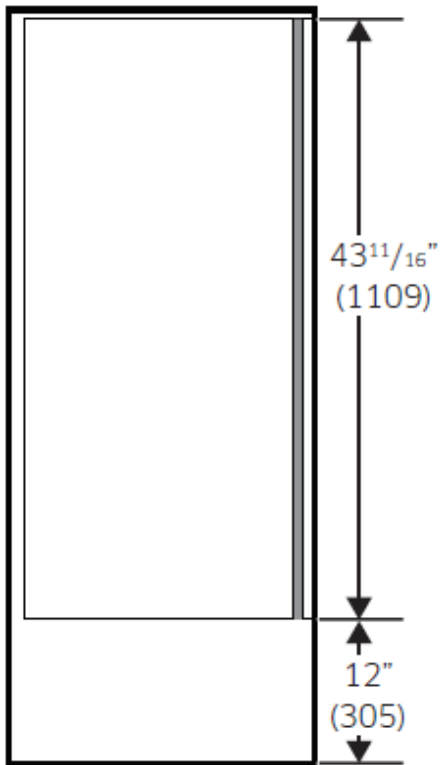


Front view

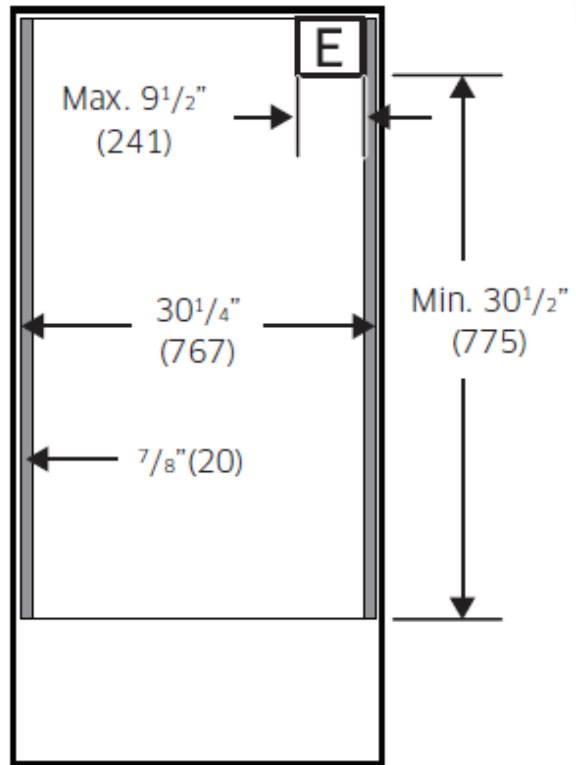


Top view

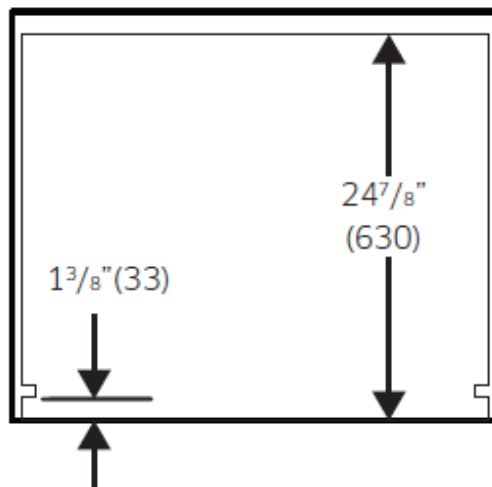
■ Combi Speed Oven_Flush



Side view



Front view

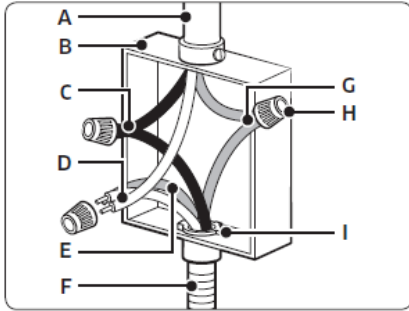


Top view

ELECTRICAL SPECIFICATIONS

3-Wire Cable from Home Power Supply - U.S. Only

IMPORTANT: Use the 3-wire cable from home power supply where local codes permit a 3-wire connection.

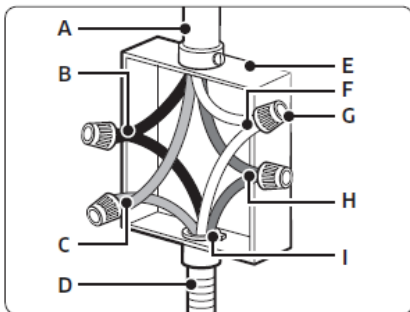


1. Connect the 2 black wires (C) together using a UL listed wire connector.
2. Connect the 2 white wires (D) and the green (or bare) ground wire (of the oven cable) using a UL listed wire connector.
3. Connect the 2 red wires (G) together using a UL listed wire connector.
4. Install junction box cover.

- A. Cable from home power supply
- B. Junction box
- C. Black wires (normally L1)
- D. White wires (normally N-neutral)
- E. green wires (normally G-ground)
- F. 4-wire flexible conduit from oven
- G. Red wires (normally L2)
- H. UL listed wire connectors
- I. UL listed or CSA approved conduit connector

4-Wire Cable from Home Power Supply

IMPORTANT: Use the 4-wire cable from home power supply in the U.S. where local codes do not allow grounding through neutral, New Branch circuit installations (1996 NEC), mobile homes and recreational vehicles, new construction and in Canada.



1. Connect the 2 black wires (B) together using a UL listed wire connector.
2. Connect the 2 red wires (C) together using a UL listed wire connector.
3. Untwist white wire from green (or bare) ground wire coming from the oven.
4. Connect the 2 white wires (F) together using a UL listed wire connector.
5. Connect the green (or bare) ground wire (H) from the oven cable to the green (or bare) ground wire (in the junction box) using a UL listed wire connector.
6. Install junction box cover.

- A. Cable from home power supply
- B. Black wires (normally L1)
- C. Red wires (normally L2)
- D. 4-wire flexible conduit from oven
- E. Junction box
- F. White wires (normally N-neutral)
- G. UL listed wire connectors
- H. green wires (normally G-ground)
- I. UL listed or CSA approved conduit connector

⑥ Procure the proper installation materials

Prepare to install the oven



Phillips Screwdriver



Drill



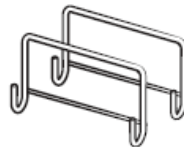
Junction Box



Wire Nuts



3/4" Conduit Connector



Install Handle (only for double oven)



6 screws (M4 L16)
6 Wood Screws For Mounting (4 needed for installation and 2 extra's)

30-Inch MW Combi Speed Double Oven



DOC30M977DS / DOC30M977DM

General (Upper : MWO)	Oven Color		Silver STSS / Graphite STSS
	Installation Type		Flush
	Handle		Fixed Bar Type
	Cooking Mode (12ea)	Manual (5)	Microwave, Broil, Speed Broil Convection Sear, Speed Conv. Sear
		Auto (7)	Sensor Cook , Con.Sear Autocook Healthy Fry, Defrost, Healthy Choice Auto Cook(69 Programs), Soften/Melt (8 Programs)
	Oven Rack		2 Rack (Low, High)
	Rack Position		-
	Interior Lights		2 LED
	Hidden Hinge Door		●
	Cleaning Method		-
Control	Display		7" Touch LCD
	Electronic Clock		●
	Child Lock		●
Oven Performance (Upper : MWO)	MWO Output		950W (@ 120V)
	Bake element		-
	Broil element		1,650W
	Convection Heater		3,250W
Smart	Wi-Fi (LTE) Module		●
	Bluetooth		-

※ Lower Oven Spec .is same with Single Wall Oven

Total Capacity (cu. ft.)	1.9 + 4.8
Product Width	29 3/4"
Product Height	43 9/16"
Product Depth	23 1/8"
Cutout Width	30 1/4"
Cutout Height	43 11/16"
Cutout Depth	24 7/8"
Watts(W)	8.9 KW
Electrical Supply	240VAC/50A/60Hz
Power Cord	Fixed Connection (No Plug Type)
Net Weight (lbs.)	302.9 lbs. (137.4Kg)

※ Cutout Dimensions are for Flush Cabinet