



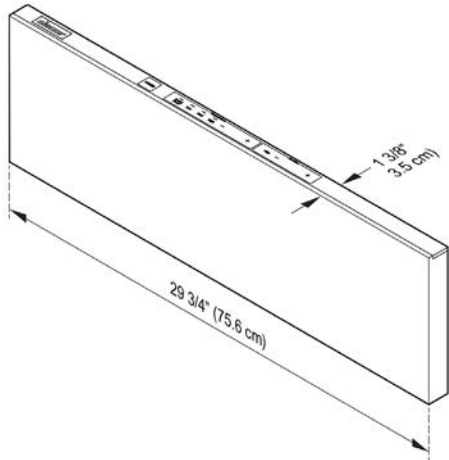
Modernist® Warming Drawer

PLANNING GUIDE

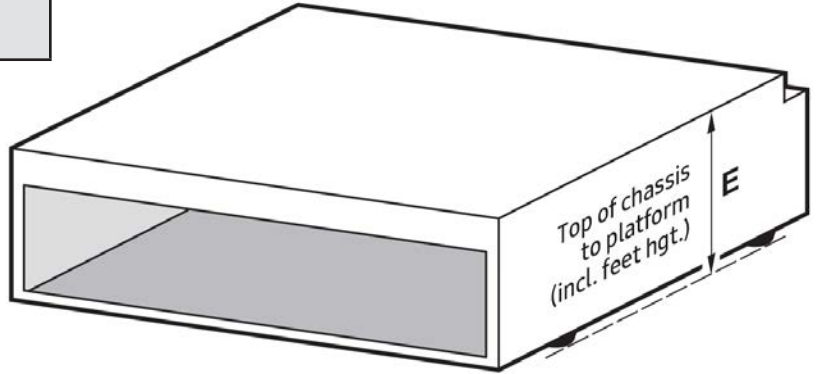


WARNING

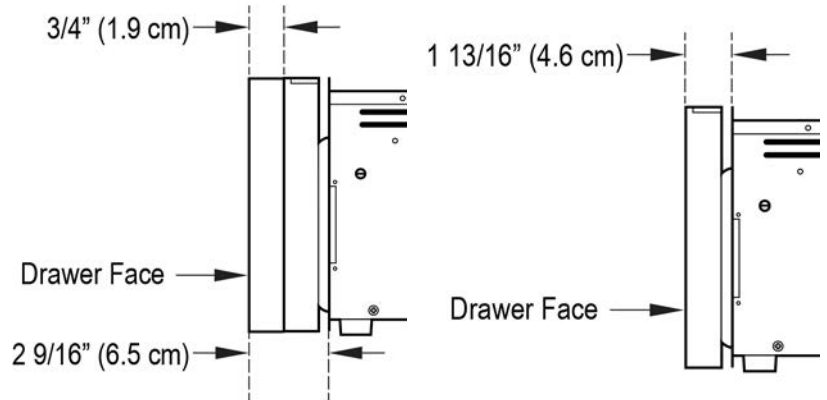
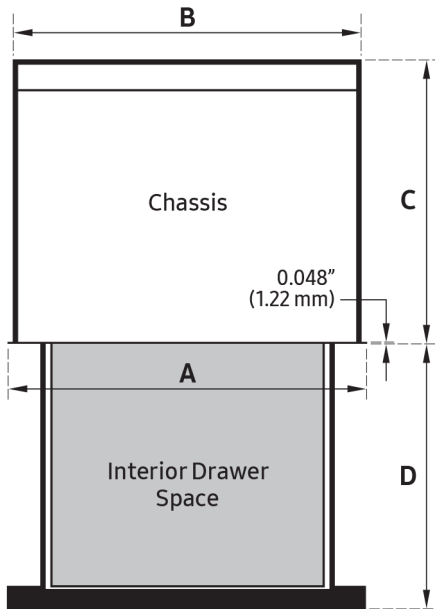
- Observe all governing codes and ordinances during planning/installation. Contact your local building department for details.
- The drawer must be installed as directed in its installation instructions.



Front Panel for WIM/WIS Shown



Electrical Circuit Required	Total Connected Load	Min. Ambient Operating Temp.
120Vac, 60 Hz, 15 Amp grounded, dedicated circuit	4.0 Amp. @ 120Vac, 60 Hz	32°F (0°C)



Front Panel for WIP

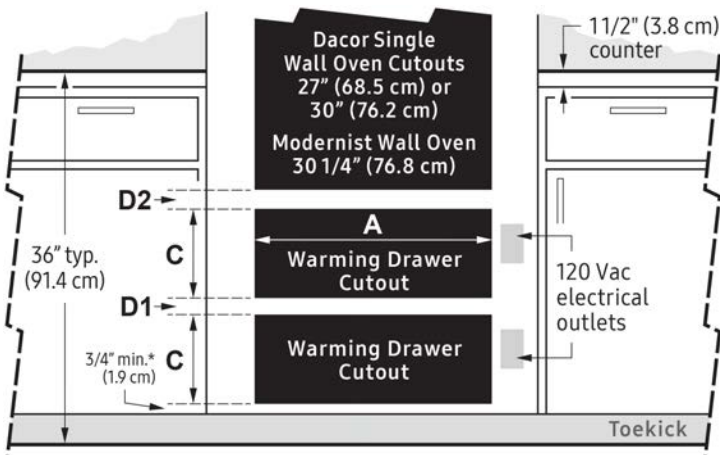
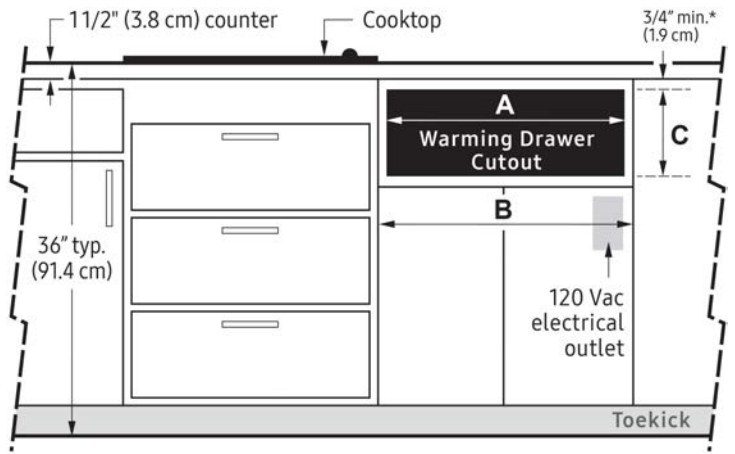
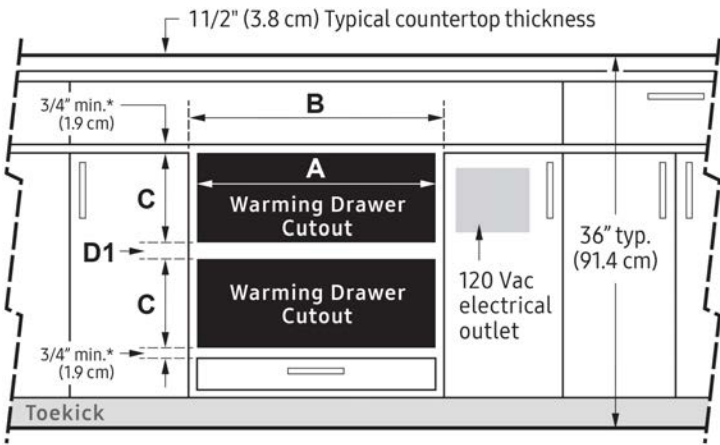
Front Panel for WIM/WIS

Model No.	(A) Chassis Face Width	(B) Chassis Width	(C) Chassis Depth	(D) Drawer Depth (without panel)	(D) Drawer Depth (with 3/4" panel)	(E) Chassis Height (with feet)
DWR30M977	29 5/8" (75.2 cm)	27 7/8" (70.8 cm)	20 15/16" (53.1 cm)	19 3/4" (50.2 cm)	20 1/2" (52.1 cm)	9 3/4" (24.8 cm)



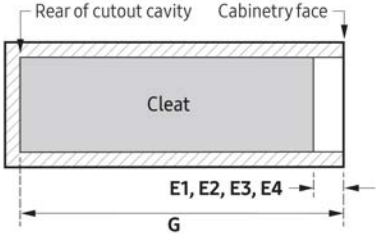
Modernist® Warming Drawer

PLANNING GUIDE

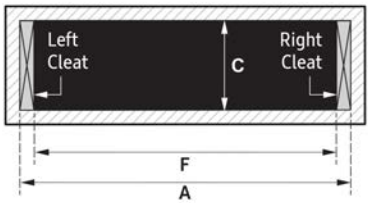


Mounting platform must be $3/4"$ (1.9 cm) thick and able to support 100 lbs. (45.4 kilos)

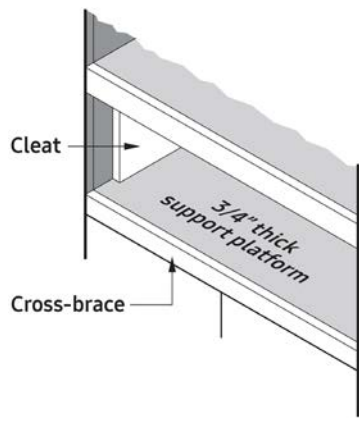
Measurement	DWR30M977
(A) Cutout Width	30 1/4" (76.8 cm)
(B) Min. Width to Adjacent Doors/Drawer	30 1/4" (76.8 cm)
(C) Cutout Height	10 1/2" (26.7 cm)
(D1) Min. Vertical Gap Betw. Warming Drawer Cutouts	1 1/4" (3.2 cm)
(D2) Min. Vertical Gap Betw. Dacor Wall Oven	1 1/2" (3.8 cm)
(E1) Flush to Drawer Front	15/64" (2.7 cm)
(E2) Flush to Cab't Frame / Drawer with Panel Flush to Drawer Front	1 53/64" (4.6 cm)
(E3) Drawer with Panel Flush to Cab't Frame	2 37/64" (6.5 cm)
(E4) Drawer with Oversized Panel	1 37/64" (4.0 cm)
(F) Min. Width Inside Cleats	28" (71.0 cm)
(G) Min. Cutout Depth	24" (61.0 cm)



Section AA (left-side view)



Section BB (front view)

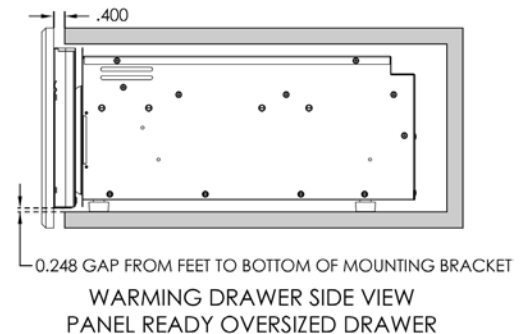
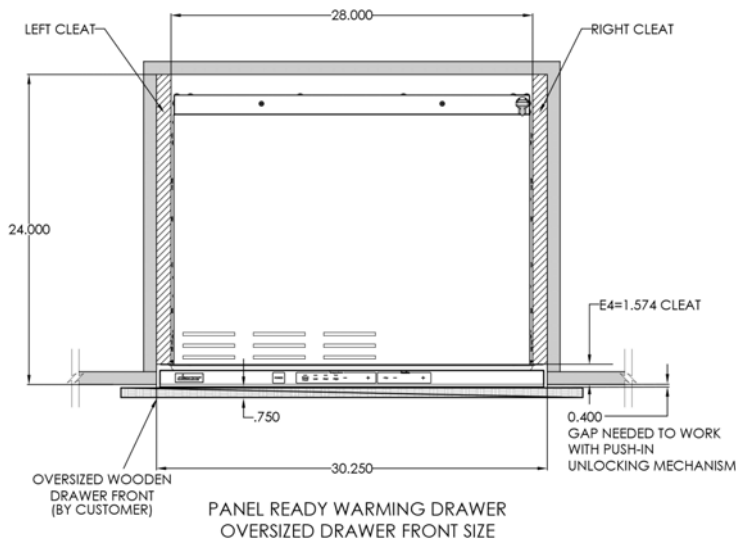
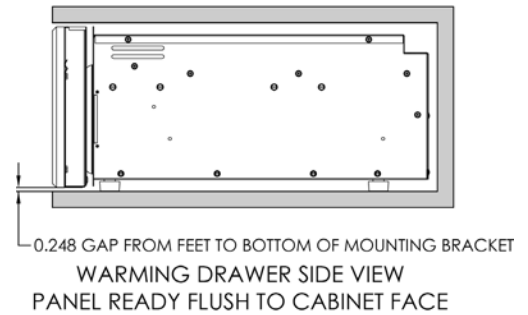
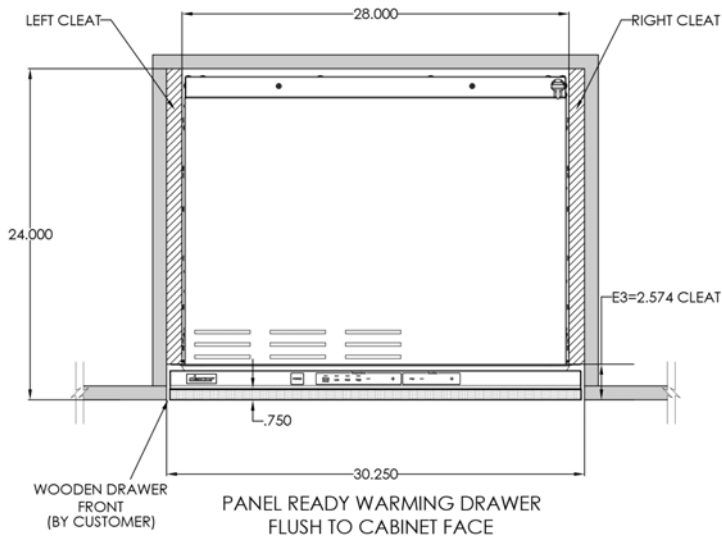
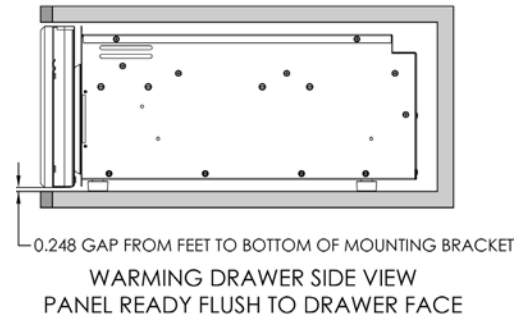
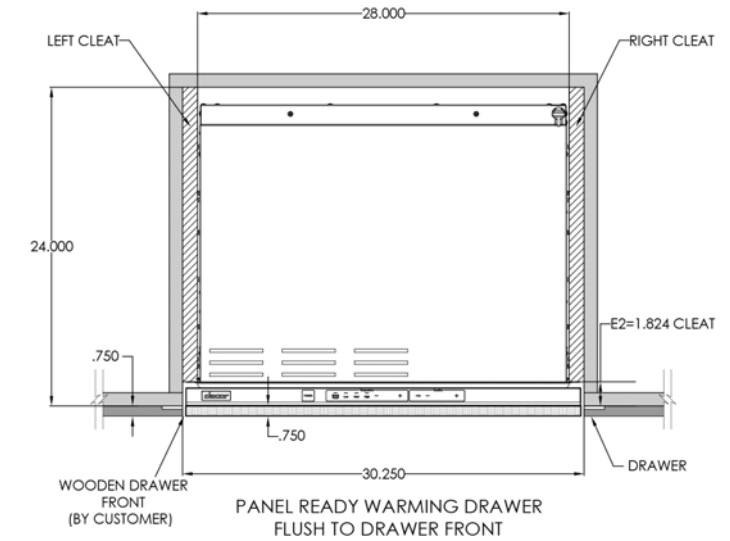




Modernist® Warming Drawer

PLANNING GUIDE

WIP Installation Scenarios

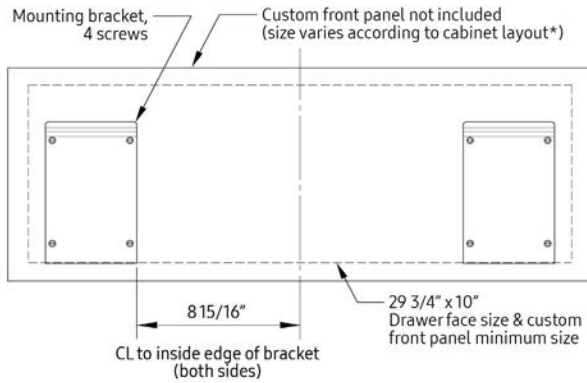




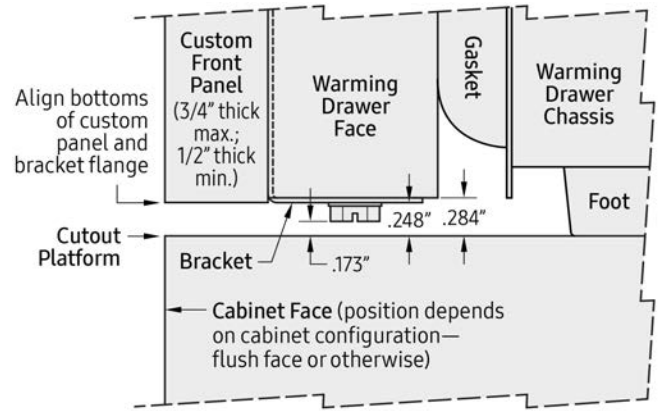
Modernist® Warming Drawer

PLANNING GUIDE

WIP Panel Mounting Information



Bracket Location (rear view)



Minimum Clearances (side view)

WIM/WIS Installations Scenarios

